



US00D980204S

(12) **United States Design Patent**
Chiang et al.

(10) **Patent No.:** **US D980,204 S**
(45) **Date of Patent:** **** Mar. 7, 2023**

(54) **PHONE CASE WITH POSITIONABLE ACCESSORY**

(71) Applicant: **Popsockets LLC**, Boulder, CO (US)

(72) Inventors: **Randy Yang Chiang**, Boulder, CO (US); **Lawrence Herman Fong**, Boulder, CO (US); **Vanessa Cantoli-Alves**, Boulder, CO (US); **Tristan Cannan**, Boulder, CO (US); **Nicholas Von Bargen**, Boulder, CO (US); **David Willson**, Boulder, CO (US); **Michael Kory**, Boulder, CO (US); **David Czarnecki**, Boulder, CO (US); **Altan Nahum**, Boulder, CO (US); **Thomas Meiser**, Boulder, CO (US)

(73) Assignee: **POPSOCKETS LLC**, Boulder, CO (US)

(**) Term: **15 Years**

(21) Appl. No.: **29/786,195**

(22) Filed: **May 28, 2021**

(51) **LOC (14) Cl.** **14-03**

(52) **U.S. Cl.**
USPC **D14/250**; D14/251

(58) **Field of Classification Search**
USPC D3/201, 218, 247, 249, 269; D13/107, D13/108, 118, 119; D14/217, 248, D14/250-253, 432, 440
CPC H04B 1/3888; H04M 1/0283; H04M 1/0202; A45F 2005/028; A45F 2200/0525
See application file for complete search history.

(56) **References Cited**

U.S. PATENT DOCUMENTS

8,560,031 B2 * 10/2013 Barnett F16M 11/40
455/575.8
8,737,066 B1 * 5/2014 Block A45F 5/00
224/217

9,397,719 B1 * 7/2016 Schmidt F16M 11/24
9,913,388 B1 * 3/2018 McHatet H05K 5/0204
10,200,518 B2 * 2/2019 Richter A45F 5/00
10,244,854 B1 * 4/2019 Haber H04B 1/385
D847,805 S * 5/2019 Lederer D14/250
D851,081 S * 6/2019 Fitzgerald D14/250

(Continued)

OTHER PUBLICATIONS

Otterbox Otter + Pop Symmetry Series for iPhone X/Xs Got To Blue Review, publication date May 28, 2019, [online] URL: <https://www.youtube.com/watch?v=yijhC8IYvJw> (Year: 2019).*

(Continued)

Primary Examiner — L. A. Grabenstetter

(74) *Attorney, Agent, or Firm* — Holland & Hart LLP

(57) **CLAIM**

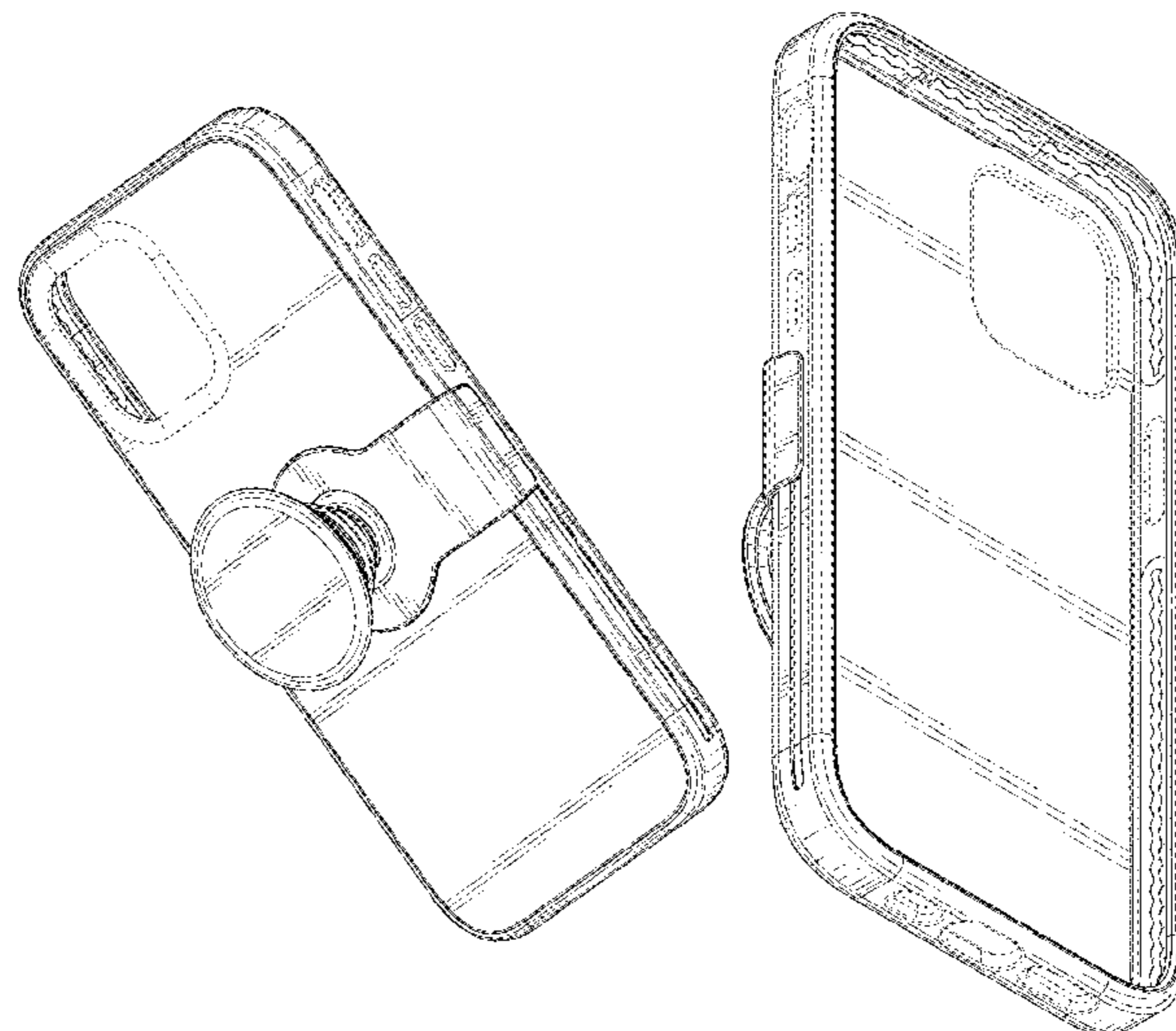
The ornamental design for a phone case with positionable accessory, as shown and described.

DESCRIPTION

FIG. 1 is a front perspective view of the phone case with positionable accessory according to the present invention; FIG. 2 is a rear perspective view thereof; FIG. 3 is a front view thereof; FIG. 4 is a rear view thereof; FIG. 5 is a right side view thereof; FIG. 6 is a left side view thereof; FIG. 7 is a bottom side view thereof; FIG. 8 is a top side view thereof; FIG. 9 is a front perspective view of a second arrangement thereof; and, FIG. 10 is a front perspective view of a third arrangement thereof.

The broken lines are included for the purpose of illustrating environment and form no part of the claimed design.

1 Claim, 9 Drawing Sheets



(56)

References Cited

U.S. PATENT DOCUMENTS

10,389,860	B2 *	8/2019	Nahum	H04M 1/04
10,463,116	B2 *	11/2019	Barnett	F16M 13/04
10,484,522	B1 *	11/2019	McHatet	H04B 1/3888
10,571,964	B2 *	2/2020	Barnett	G06F 1/1656
10,694,835	B2 *	6/2020	Peterson	A45C 11/00
10,721,343	B2 *	7/2020	Nahum	F16M 11/2014
10,750,844	B2 *	8/2020	Peterson	A45F 5/00
D897,329	S *	9/2020	Peterson	D14/250
D905,672	S *	12/2020	Fitzgerald	D14/250
2013/0303000	A1 *	11/2013	Witter	F16B 5/0642 403/324
2017/0195000	A1 *	7/2017	Srouf	H04R 1/1033
2018/0013463	A1 *	1/2018	Jeon	H04M 1/04
2019/0211966	A1 *	7/2019	Nahum	G06F 1/1656
2019/0245960	A1 *	8/2019	Nahum	H04M 1/04
2019/0281960	A1 *	9/2019	Peterson	A45C 11/00
2019/0281961	A1 *	9/2019	Peterson	A45F 5/00
2021/0140580	A1 *	5/2021	Nahum	A45C 11/00
2022/0183431	A1 *	6/2022	Chiang	A45C 13/001

OTHER PUBLICATIONS

Otter + Pop: OtterBox now makes smartphone cases with built-in PopSockets that you can swap out whenever you want, publication date May 10, 2019, [online] URL: <https://www.businessinsider.com/guides/otterbox-popsockets-otter-pop-iphone-samsung-galaxy-s10-case-review> (Year: 2019).*

Otter+Pop Symmetry Series vs Loopy Case Comparison, publication date Jul. 3, 2019, [online] URL: <https://www.mobilereviews-eh.ca/otterpop-symmetry-series-vs-loopy-case-comparison/> (Year: 2019).*

New PopSocket designed to play nice with Apple's popular iPhone cases, publication date Jun. 7, 2019, [online] URL: Oct. 19, 2022, 1:52 PM New PopSocket slides on and off Apple's silicone iPhone cases—9to5Mac <https://9to5mac.com/2019/06/07/popssocket-slide-iphone/> (Year: 2019).*

PopCase review: Finally a MagSafe case for PopSocket fans, publication date Nov. 20, 2021, [online] URL: <https://appleinsider.com/articles/21/11/20/popcase-review-finally-a-magsafe-case-for-popssocket-fans> (Year: 2021).*

* cited by examiner

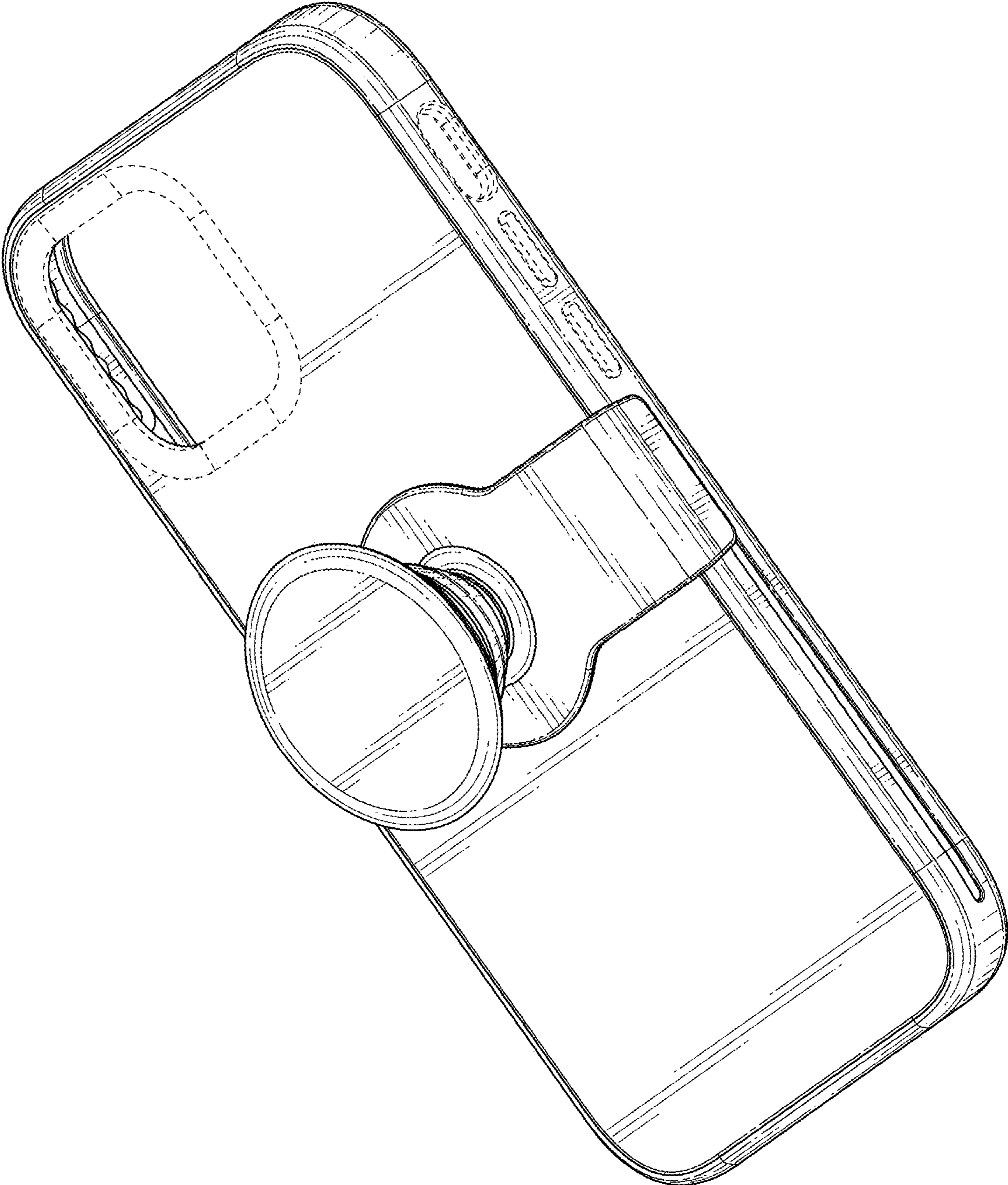


FIG. 1

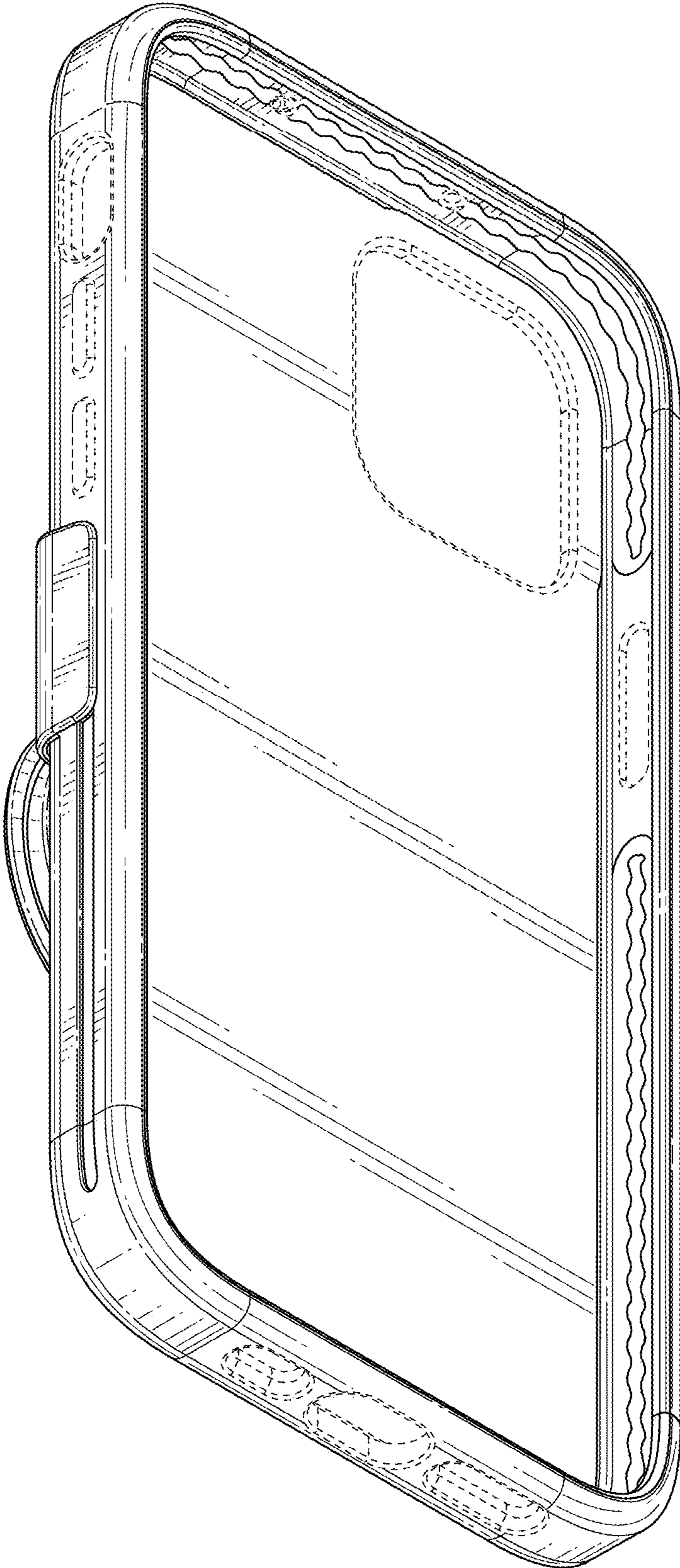


FIG. 2

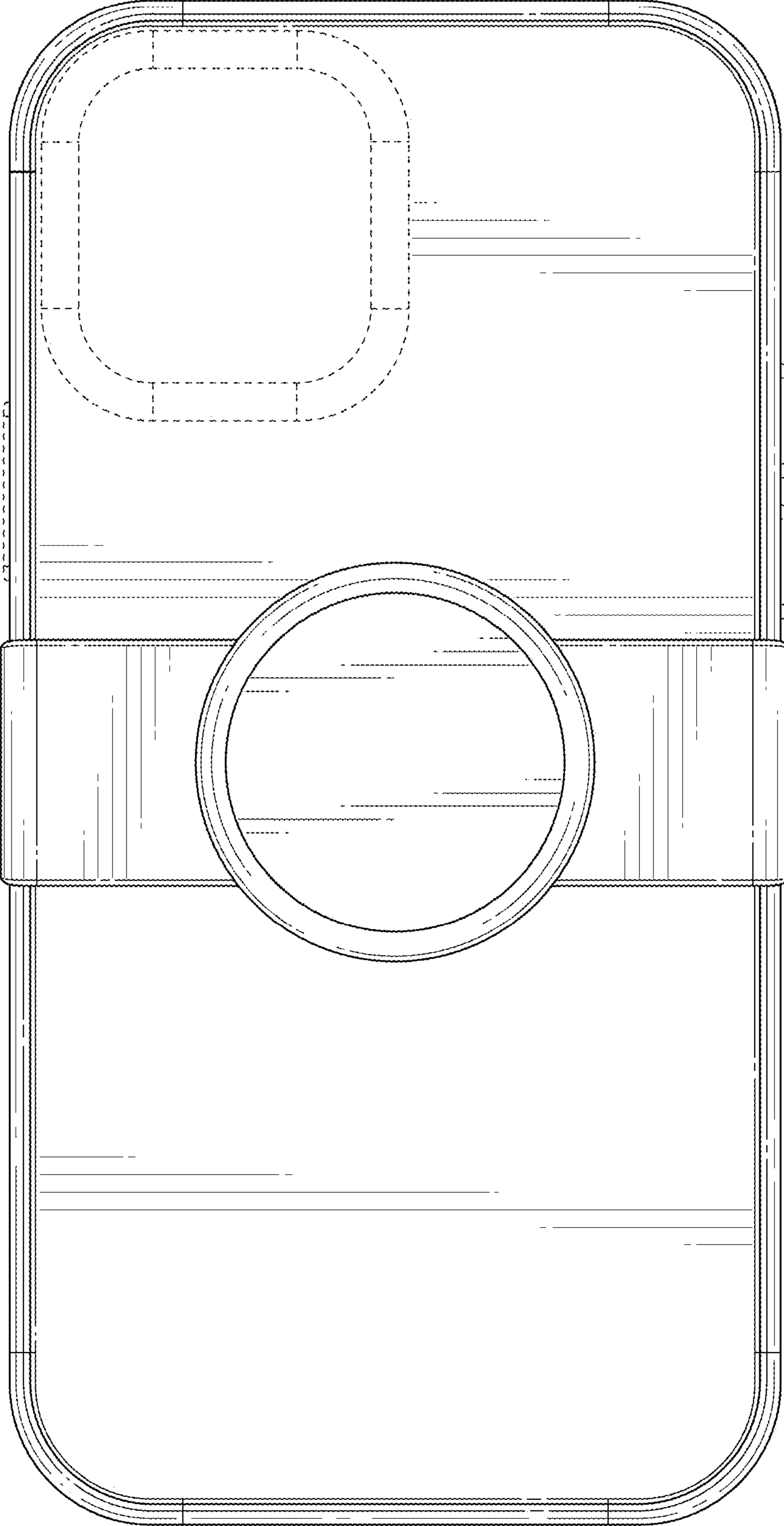


FIG. 3

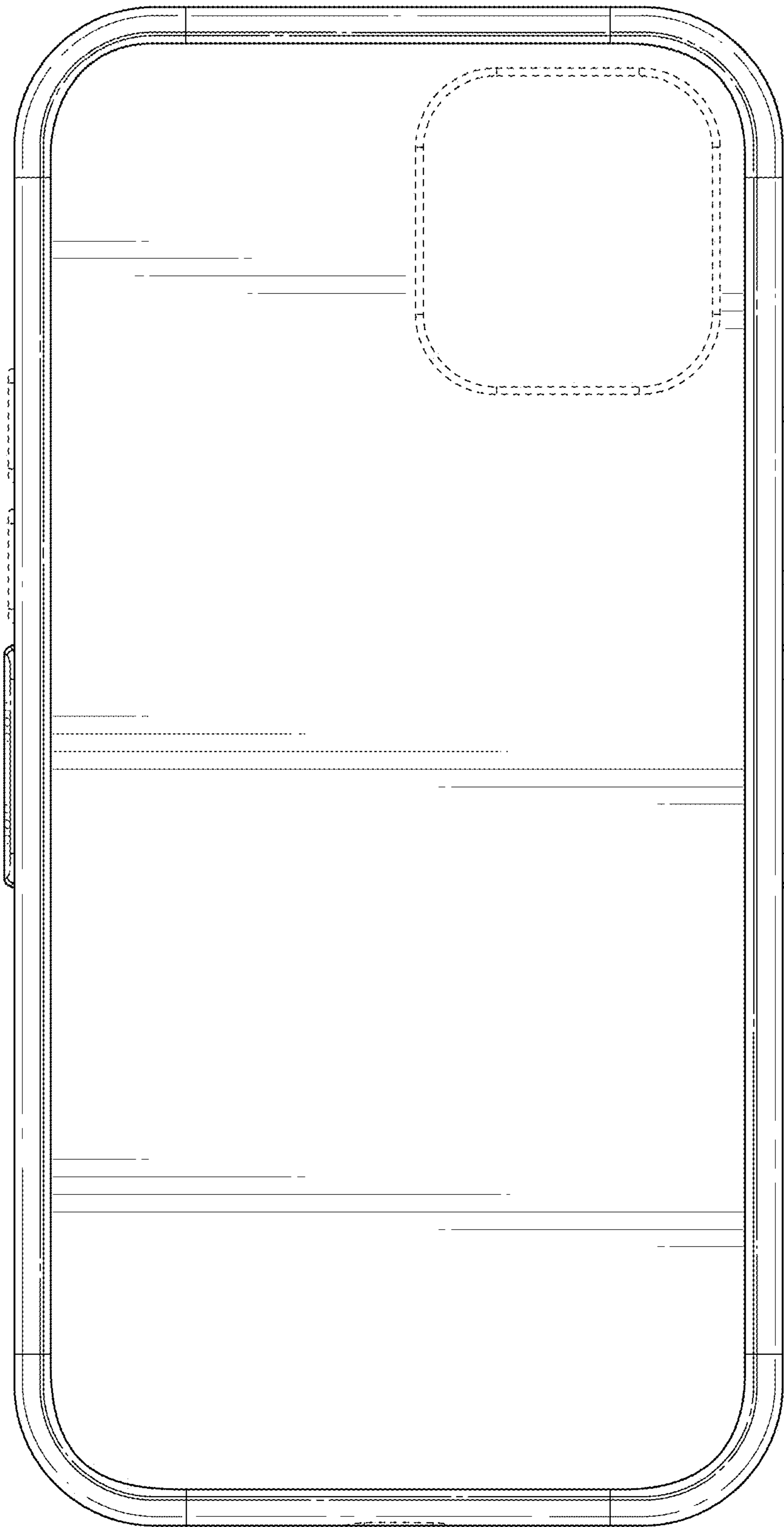


FIG. 4

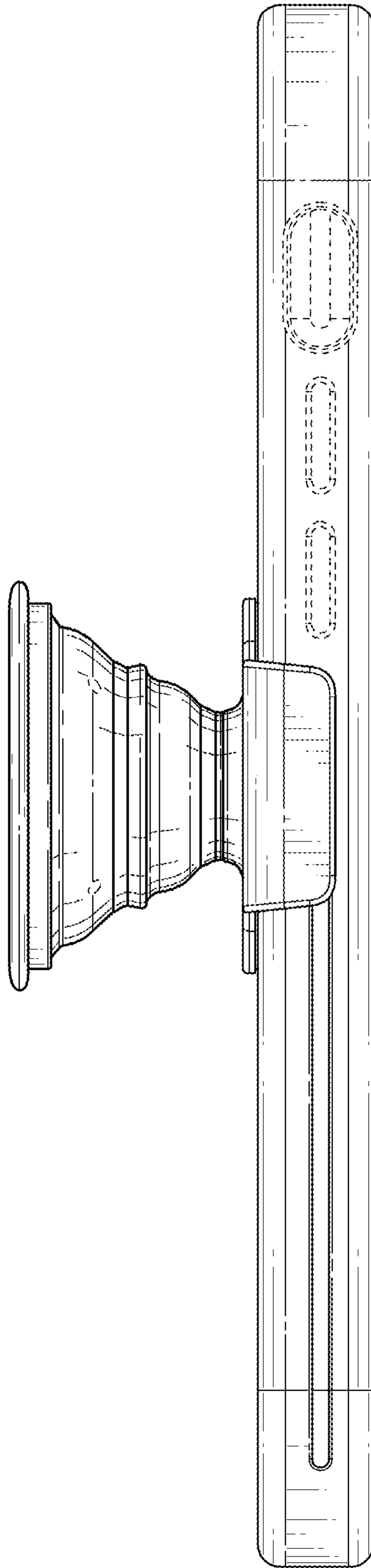


FIG. 5

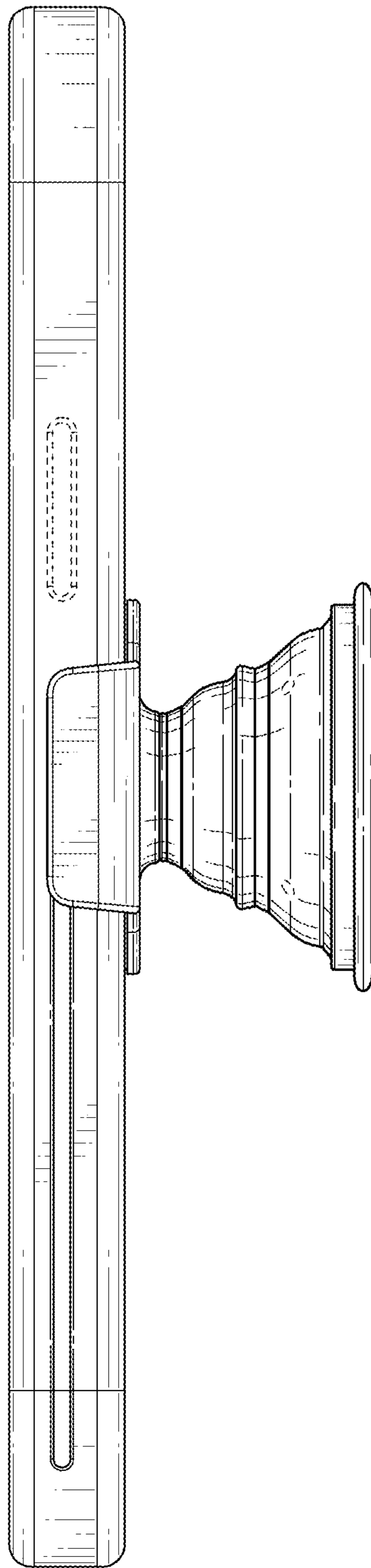


FIG. 6

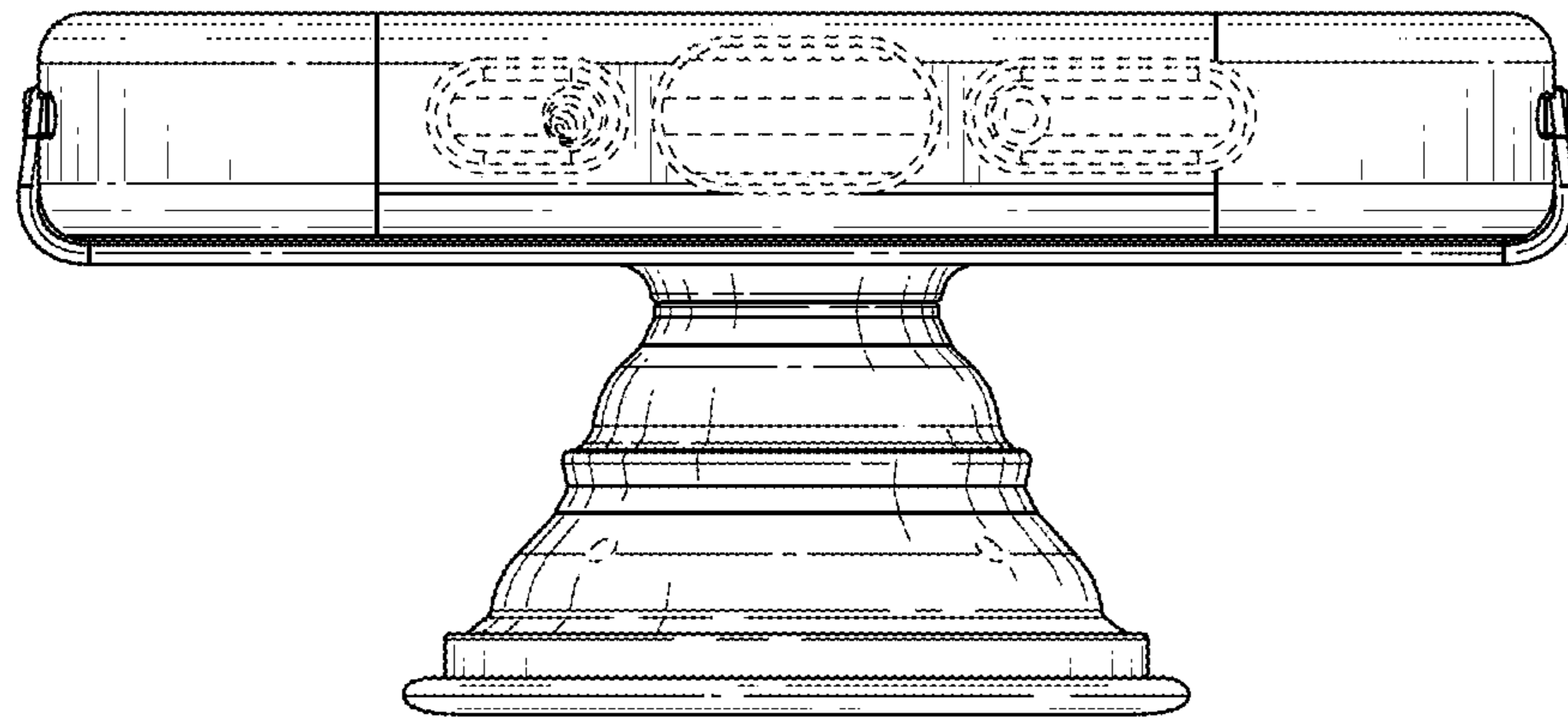


FIG. 7

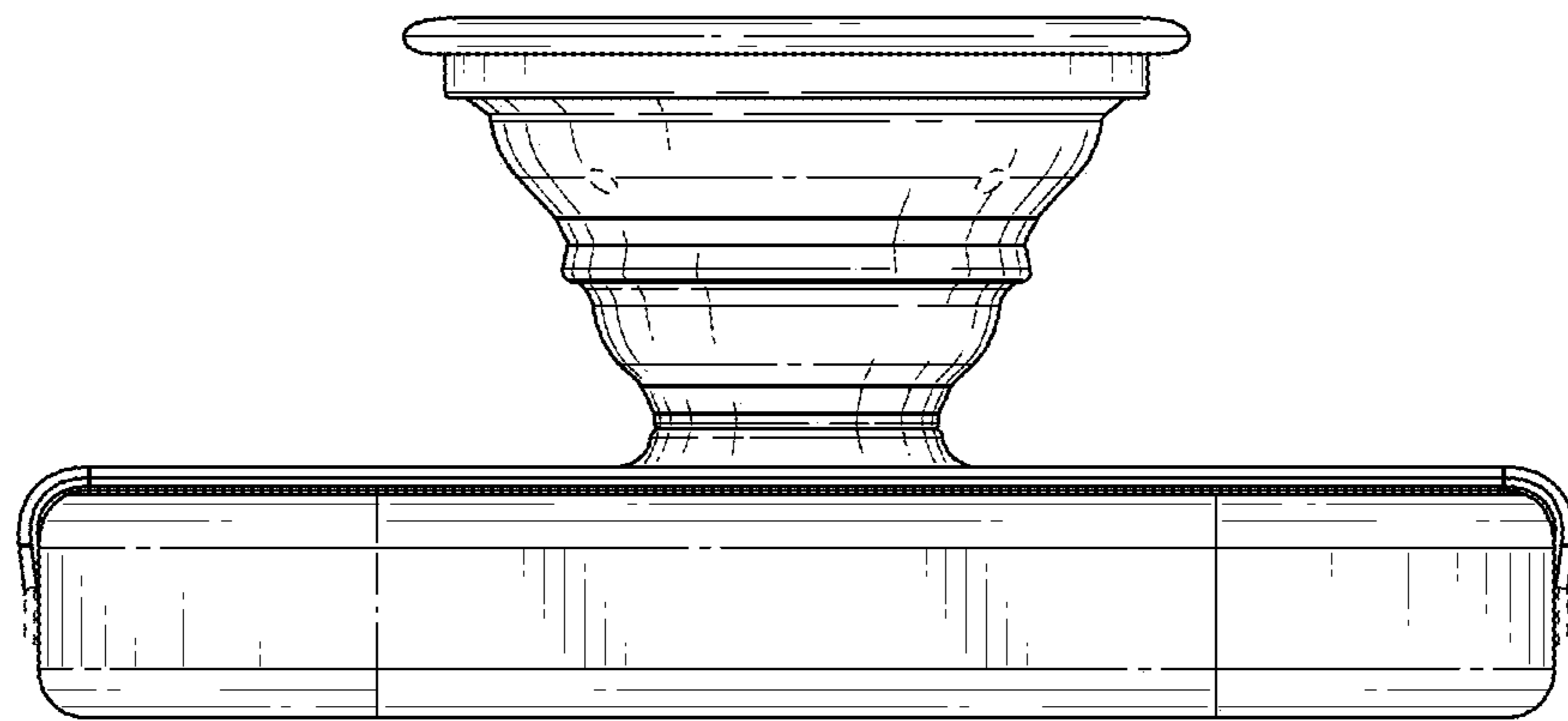


FIG. 8

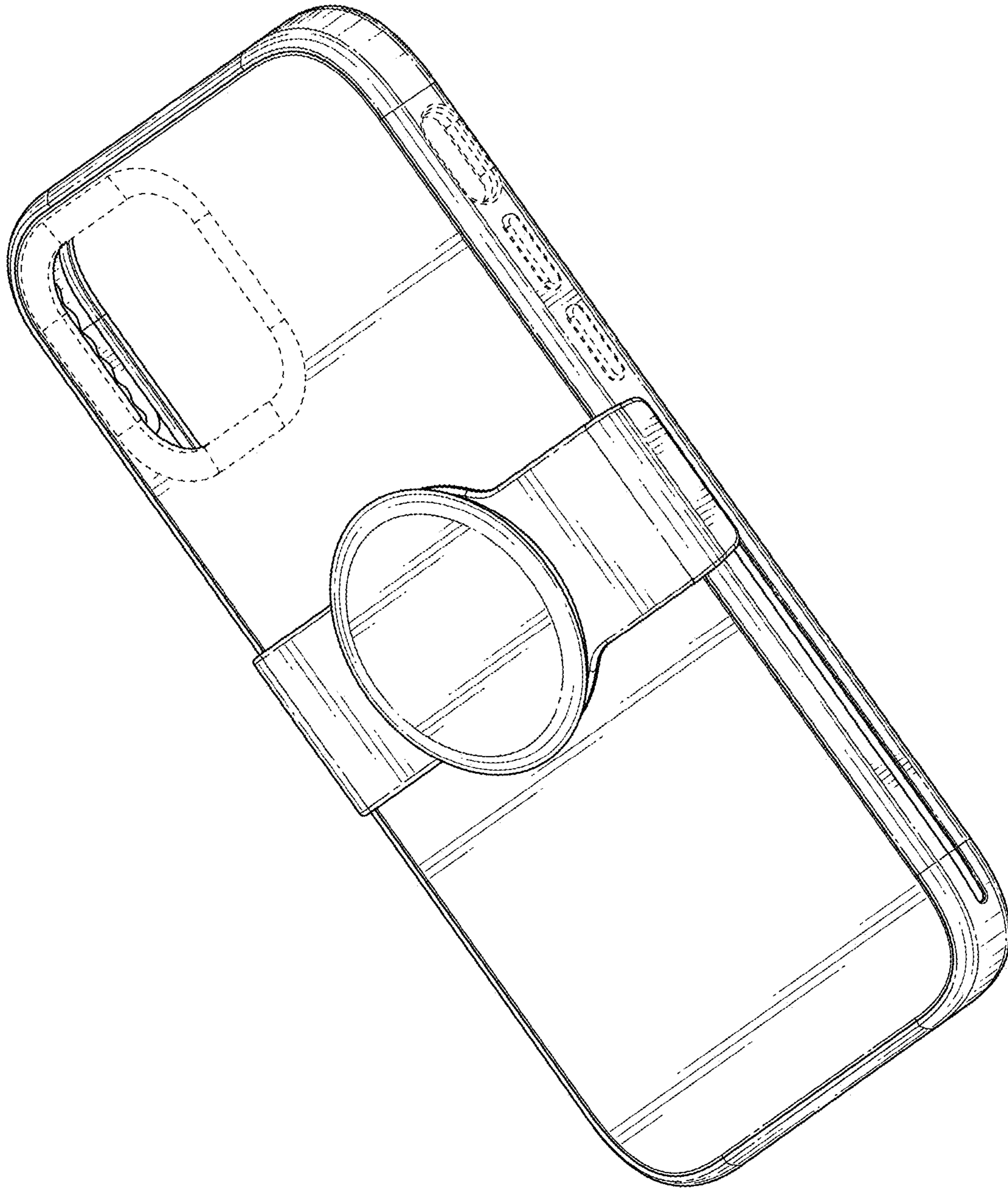


FIG. 9

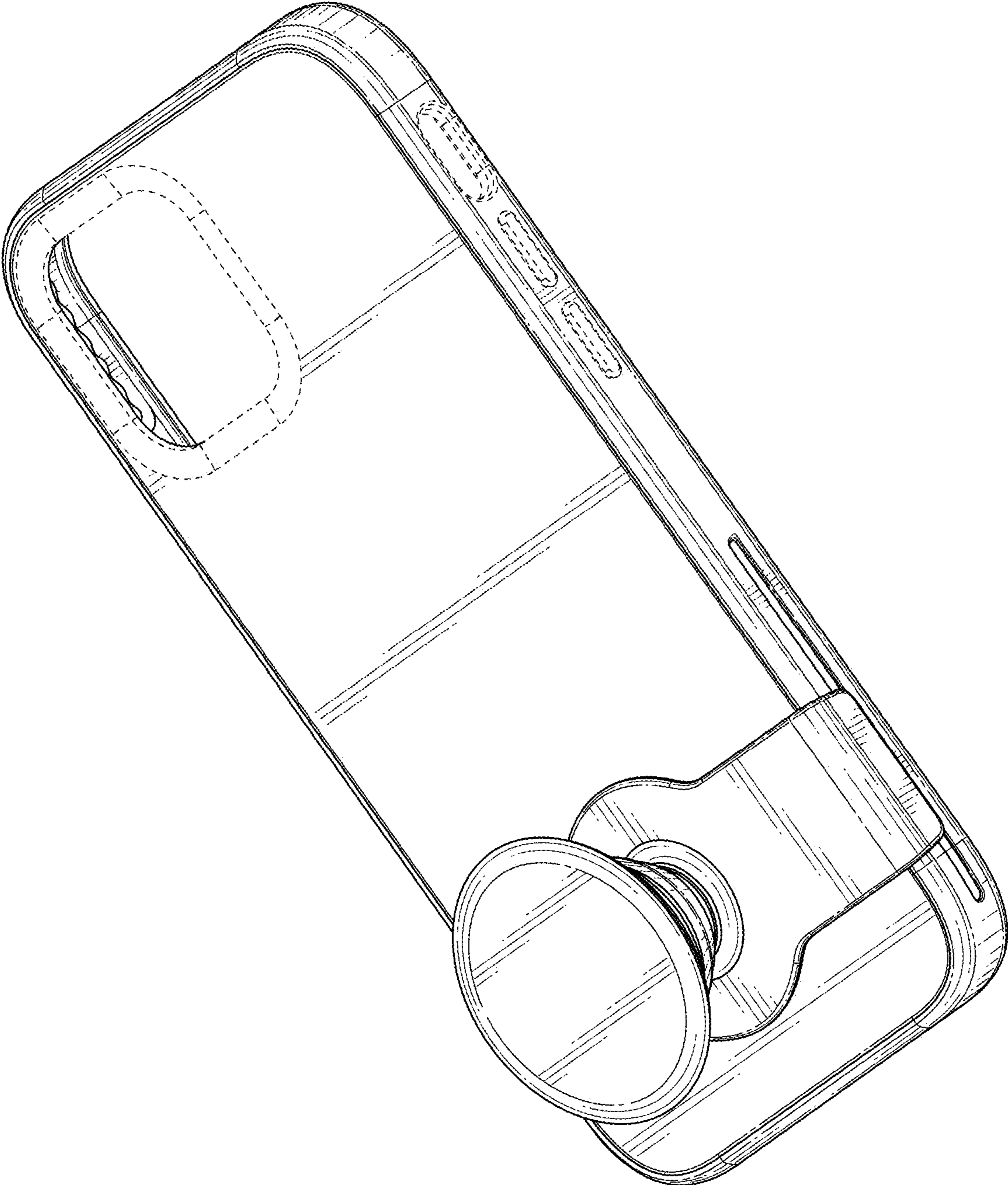


FIG. 10