



US00D980198S

(12) **United States Design Patent** (10) **Patent No.:** **US D980,198 S**
McIver et al. (45) **Date of Patent:** **** Mar. 7, 2023**

(54) **WIRELESS COMMUNICATION CONTROLLER**

(71) Applicant: **INSPIRE MEDICAL SYSTEMS, INC.**, Golden Valley, MN (US)

(72) Inventors: **Jordan McIver**, Blaine, MN (US); **Douglas Murphy**, Plymouth, MN (US); **John Rondoni**, Plymouth, MN (US); **Casimir Sienkiewicz**, Minneapolis, MN (US); **Travis Yoch**, Woodbury, MN (US); **Peter Marshall Young**, Saint Paul, MN (US)

(73) Assignee: **INSPIRE MEDICAL SYSTEMS, INC.**, Golden Valley, MN (US)

(**) Term: **15 Years**

(21) Appl. No.: **29/772,829**

(22) Filed: **Mar. 4, 2021**

(51) **LOC (14) Cl.** **14-03**

(52) **U.S. Cl.**

USPC **D14/230**

(58) **Field of Classification Search**

USPC D14/218, 388, 358, 247, 186, 200; D3/207, 208; D10/104.1, 106.1; D8/347; D13/168, 162, 184

CPC ... B60R 2225/00; B60R 25/00; B60R 25/104; H01H 9/02; H01H 9/0214; H01H 9/0235; G07C 9/00944; G05B 1/01; E05B 19/0082; E05B 19/04; Y10T 70/8676

See application file for complete search history.

(56) **References Cited**

U.S. PATENT DOCUMENTS

D377,458 S * 1/1997 Tsui D14/218
D415,735 S * 10/1999 Zuege D13/168
D510,075 S * 9/2005 Arz D13/168
D517,531 S * 3/2006 Lai D14/218
D545,467 S * 6/2007 Chun D26/37

D552,041 S * 10/2007 Brickley D13/162
D649,532 S * 11/2011 Tran D14/218
D692,400 S * 10/2013 Ni D10/104.1
D722,584 S * 2/2015 Chen D14/155
D725,607 S * 3/2015 Kandler D13/168

(Continued)

FOREIGN PATENT DOCUMENTS

CN 305060405 * 3/2019
CN 305321546 * 8/2019

(Continued)

OTHER PUBLICATIONS

Amazon Basics, "Wireless Remote Control . . .", available at amazon.com, date first available Jun. 1, 2013, site visited Jun. 27, 2022, Available at URL: <https://a.co/d/1KhAxui> (Year: 2013).*

(Continued)

Primary Examiner — Daniel J Domino

Assistant Examiner — Samina Vieth

(74) *Attorney, Agent, or Firm* — Dicke, Billig & Czaja, PLLC

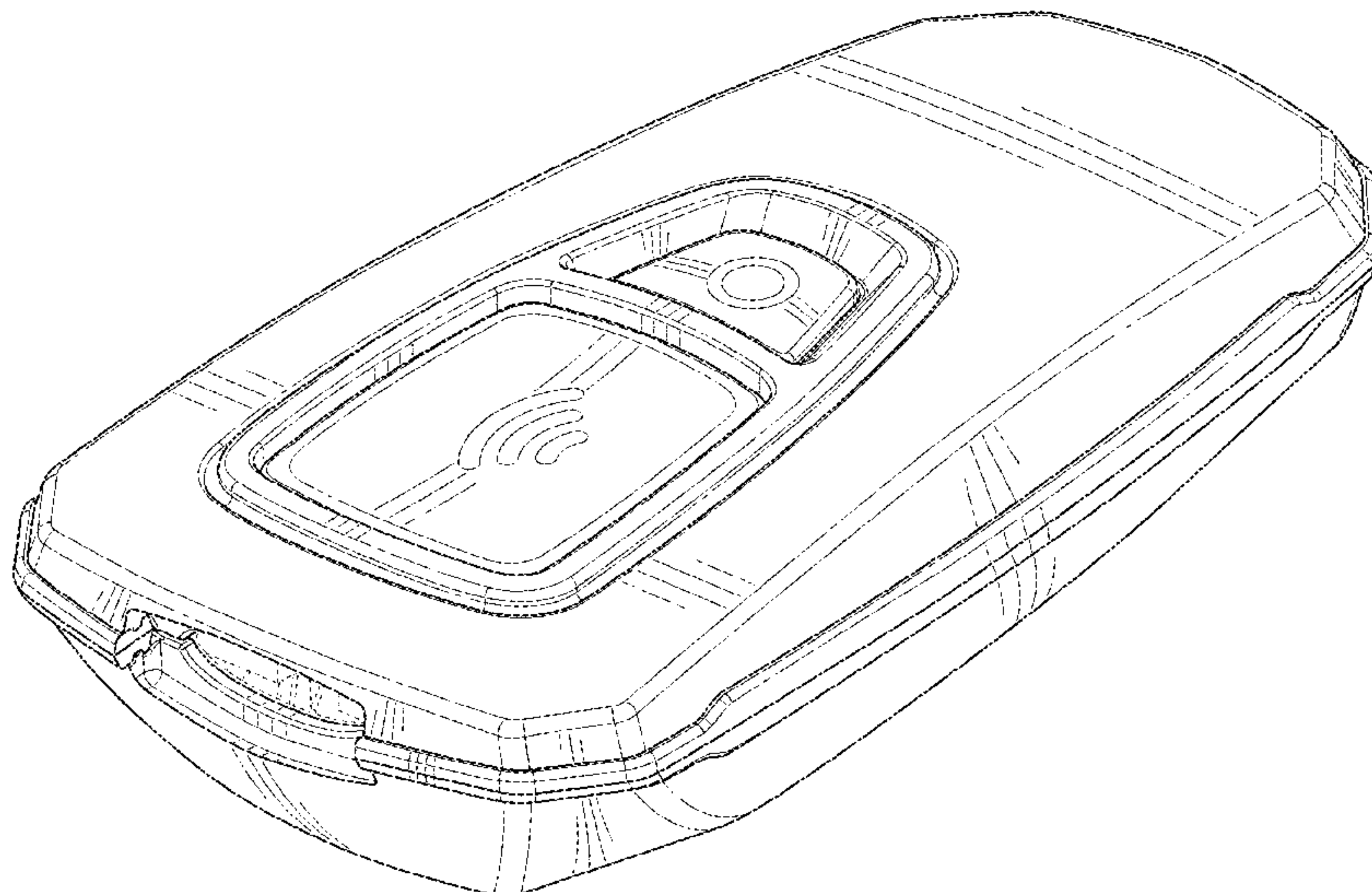
(57) **CLAIM**

The ornamental design for a wireless communication controller, as shown and described.

DESCRIPTION

FIG. 1 is a front, top perspective view of a wireless communication controller showing our new design; FIG. 2 is a front elevational view thereof; FIG. 3 is a rear elevational view thereof; FIG. 4 is a right side elevational view thereof; FIG. 5 is a left side elevational view thereof; FIG. 6 is a top plan view thereof; and, FIG. 7 is a bottom plan view thereof. The broken lines illustrate portions of the article, and form no part of the claimed design.

1 Claim, 7 Drawing Sheets



(56)

References Cited

OTHER PUBLICATIONS

U.S. PATENT DOCUMENTS

D726,681 S * 4/2015 Liu D14/155
 D741,817 S * 10/2015 Paredes D13/168
 D748,065 S * 1/2016 Trochum D13/162
 D752,763 S * 3/2016 Rondoni D24/186
 9,452,293 B2 9/2016 Rondoni et al.
 D774,007 S * 12/2016 Ryan D13/184
 D784,959 S * 4/2017 Ikonen D14/218
 D793,364 S * 8/2017 Deyaf D10/49
 D801,538 S * 10/2017 Rondoni D24/186
 9,839,786 B2 12/2017 Rondoni et al.
 D810,306 S * 2/2018 Rondoni D24/186
 D877,090 S * 3/2020 Lu D13/168
 D899,382 S * 10/2020 Dong D13/168
 D940,880 S * 1/2022 Rondoni D24/186
 D944,217 S * 2/2022 Lu D13/168
 D952,581 S * 5/2022 Wang D13/168
 2019/0365228 A1 12/2019 Rondoni et al.
 2019/0371478 A1 12/2019 Rondoni et al.
 2019/0371479 A1 12/2019 Rondoni et al.

FOREIGN PATENT DOCUMENTS

CN 305758855 * 5/2020
 CN 306267936 * 1/2021
 CN 306794891 * 8/2021
 CN 307402283 * 6/2022

JJC Store, “Radio Wireless Remote Control . . .”, available at amazon.com, date first available Mar. 4, 2017, site visited Jun. 27, 2022, Available at URL: https://www.amazon.com/JJC-Wireless-Control-Cameras-Connection/dp/B00JGI8BE4/ref=pd_lpo_3?pd_rd_i=B00JGI8BE4&psc=1 (Year: 2017).*

Uciefy Store, “Q5 Slim Rechargeable Wireless Mouse . . .”, available at amazon.com, date first available Aug. 26, 2019, site visited Jun. 27, 2022, Available at URL: <https://www.amazon.com/Picktech-Rechargeable-Wireless-Portable-Compatible/dp/B07J67PLCN?th=1> (Year: 2019).*

05Sena, “10S Bluetooth Headset . . .”, available at cyclegear.com, oldest review date May 5, 2018, site visited Jun. 27, 2022, Available at URL: https://www.cyclegear.com/accessories/sena-10s-bluetooth-headset-dual-pack?sku_id=1077696 (Year: 2018).*

Vevor, “Massage Table Bed Electric Facial Chair . . .” available at vevor.com, oldest date available Jan. 1, 2022, site visited Jun. 22, 2022, Available at URL: https://www.vevor.com/electric-facial-chair-c_10884/massage-table-bed-electric-facial-chair-reclining-angle-4-motors-medical-beauty-p_010708940131 (Year: 2022).*

Inspire Sleep Apnea Innovation—Programmer Manual. “Programmer Model 2740” Jul. 2020, 112 pages.

* cited by examiner

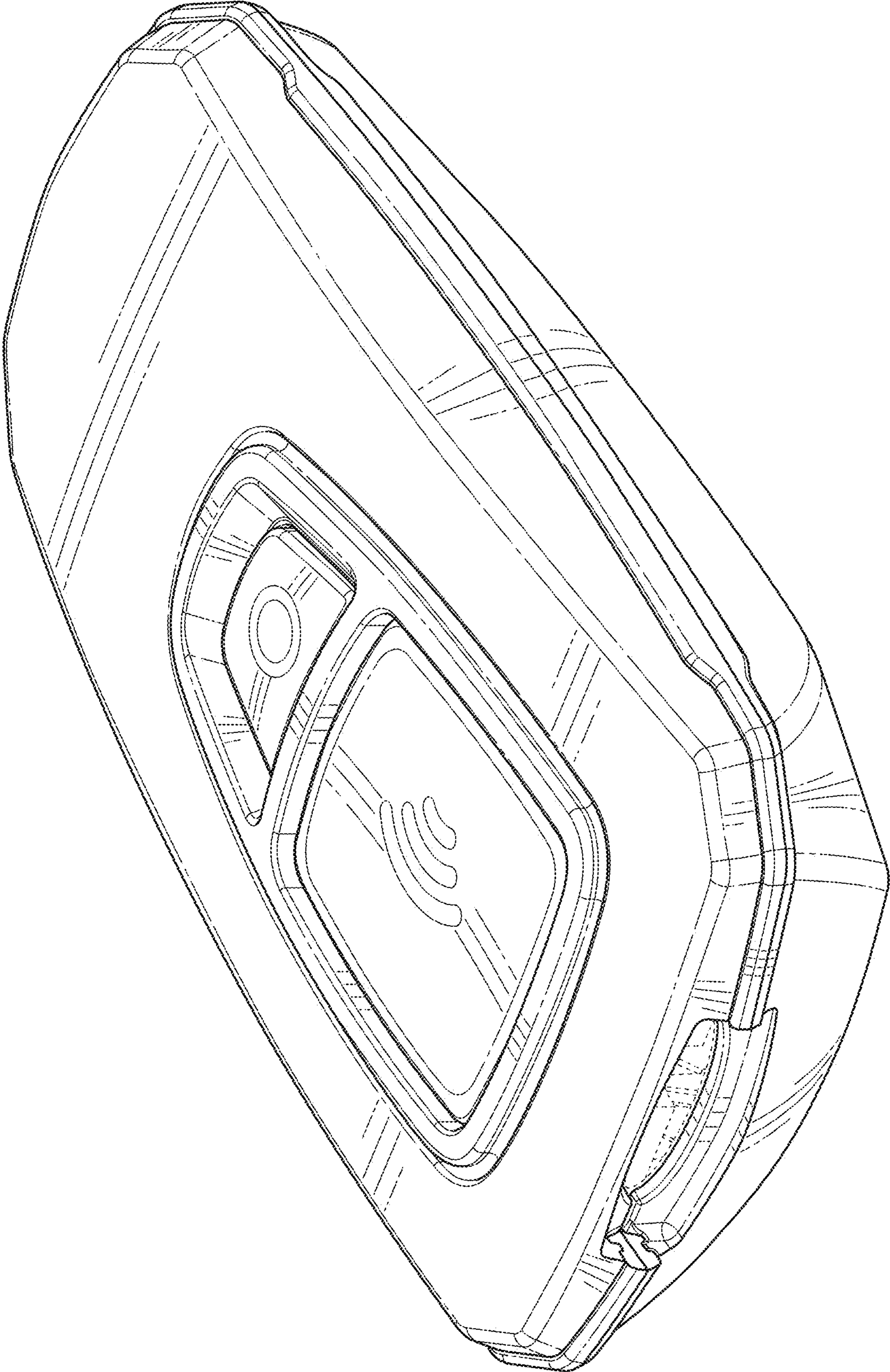


FIG. 1

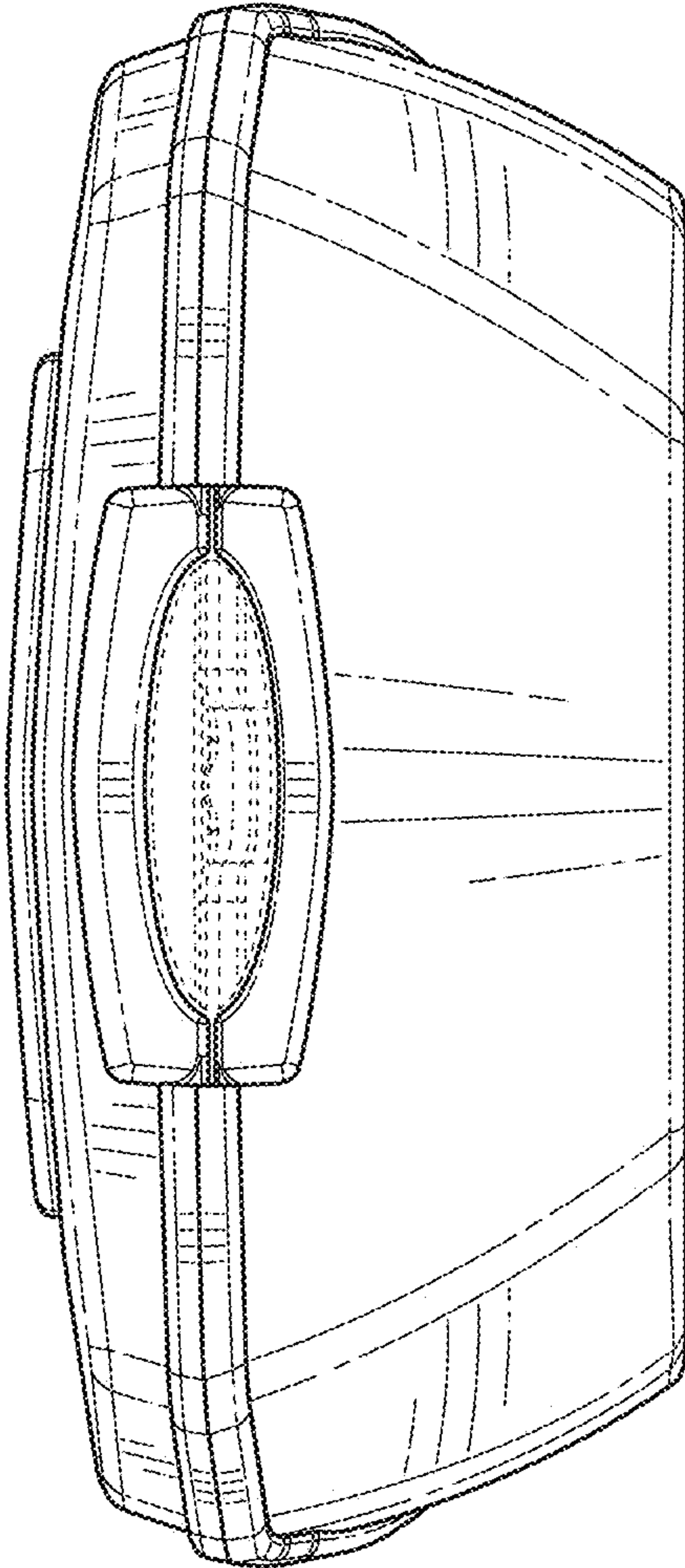


FIG. 2

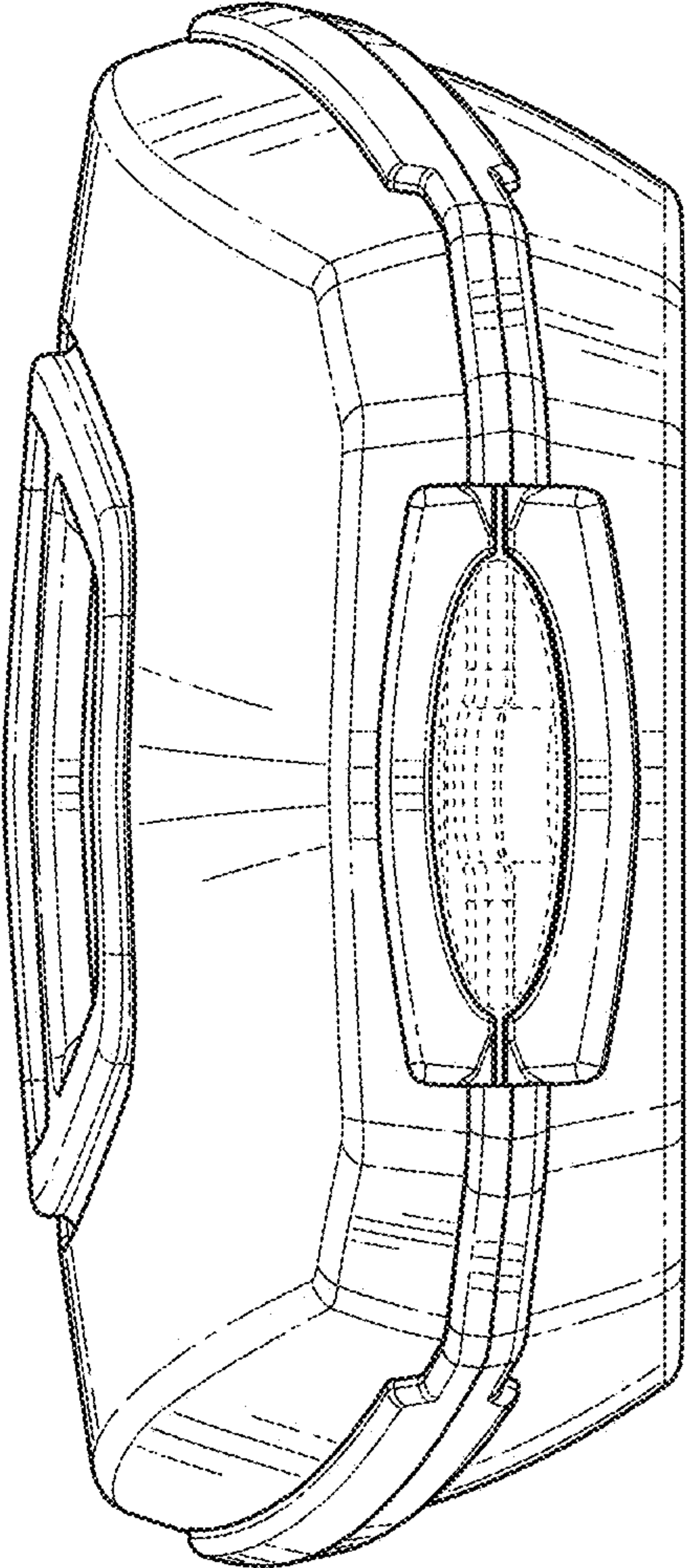


FIG. 3

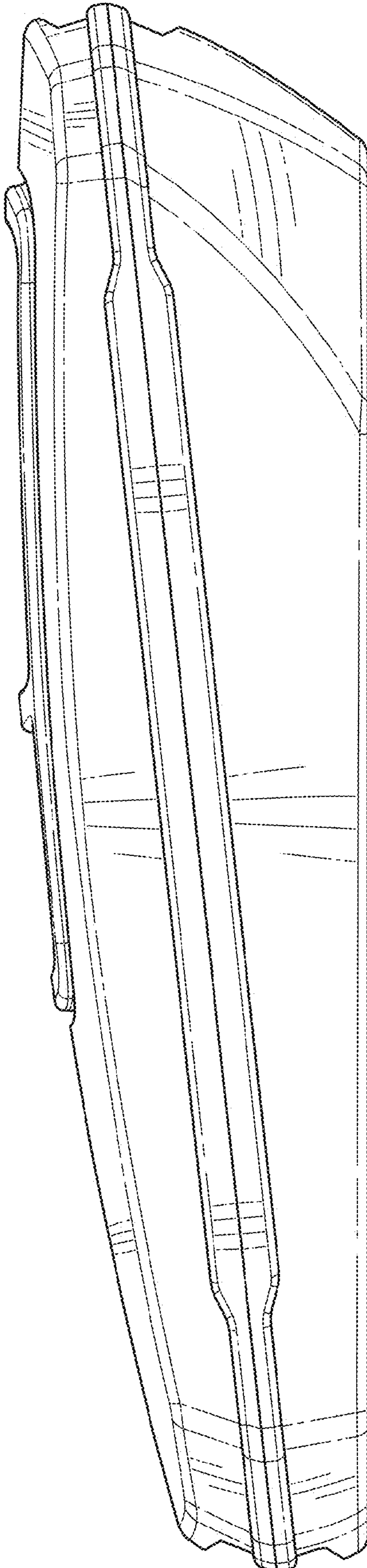


FIG. 4

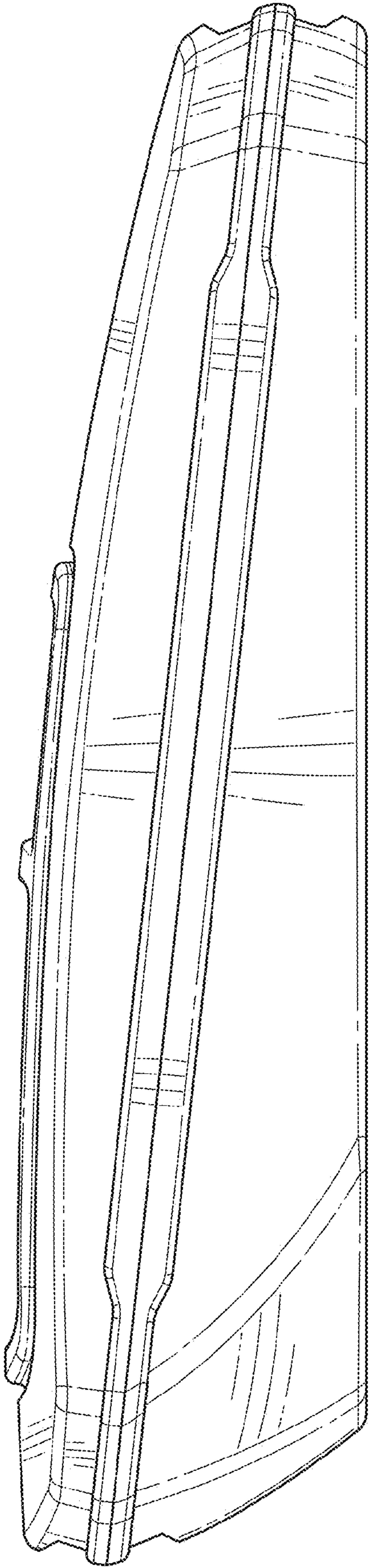


FIG. 5

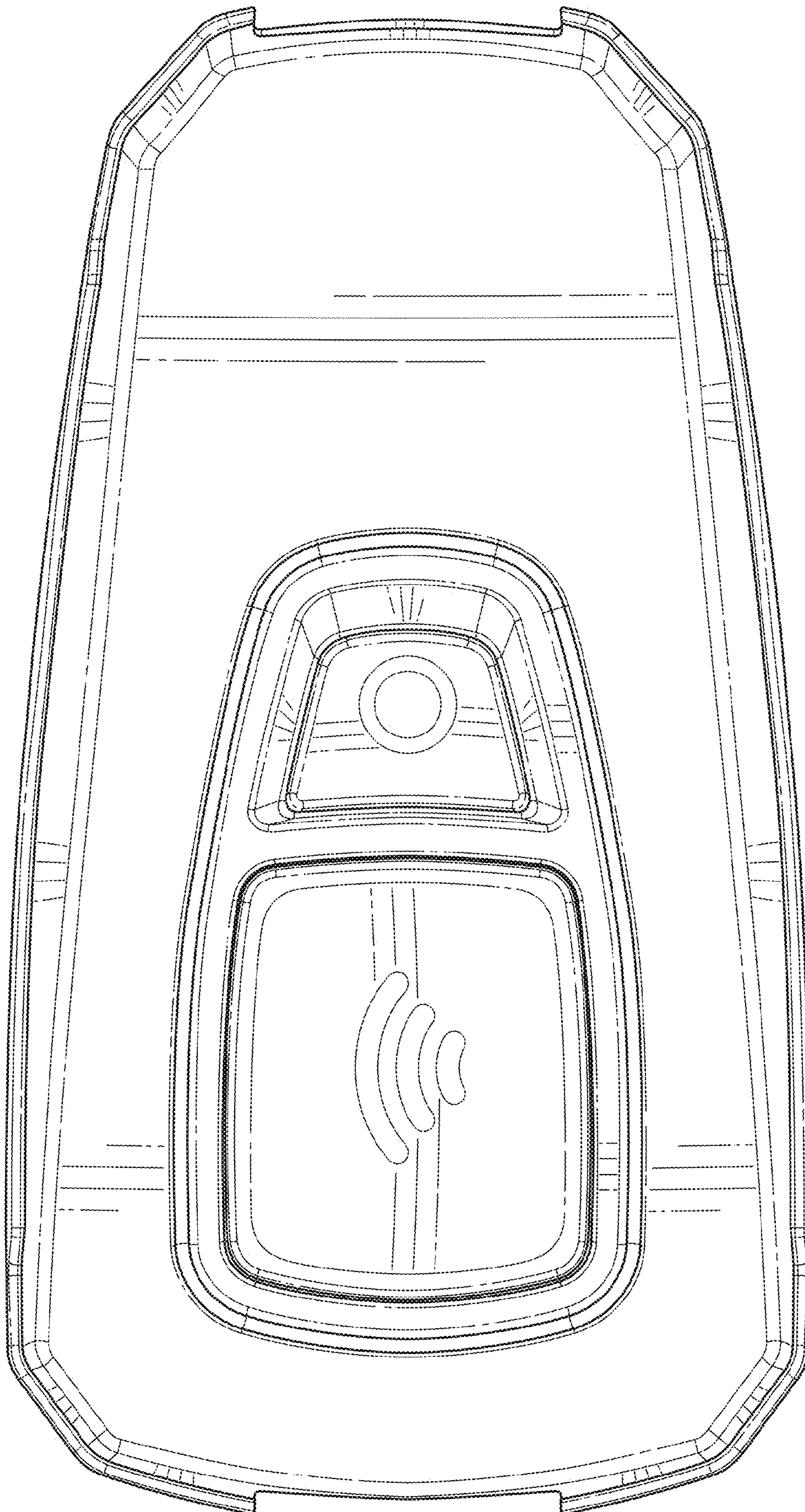


FIG. 6

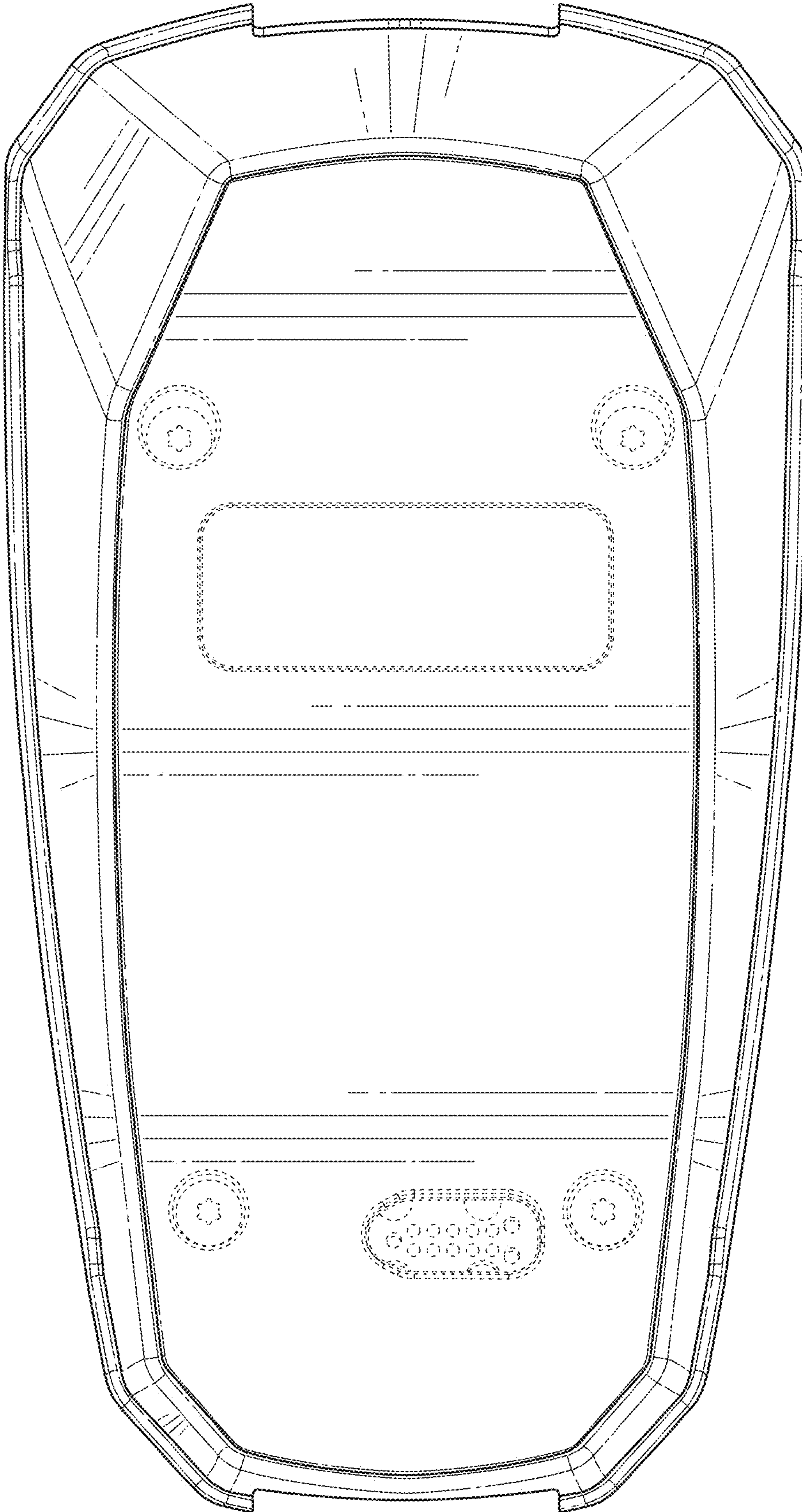


FIG. 7