



US00D980197S

(12) **United States Design Patent**  
**Zhou**

(10) **Patent No.:** **US D980,197 S**  
(45) **Date of Patent:** **\*\* Mar. 7, 2023**

(54) **MICROPHONE TRANSMITTER AND RECEIVER SET**

*Primary Examiner* — Paula Allen Greene  
(74) *Attorney, Agent, or Firm* — Justin Lampel

(71) Applicant: **Shenzhen aierji Communication Co., Ltd.**, Shenzhen (CN)

(57) **CLAIM**

The ornamental design for a microphone transmitter and receiver set, as shown and described.

(72) Inventor: **Hong Zhou**, Neijiang (CN)

(73) Assignee: **SHENZHEN AIERJI COMMUNICATION CO., LTD.**, Shenzhen (CN)

**DESCRIPTION**

(\*\*) Term: **15 Years**

(21) Appl. No.: **29/773,001**

(22) Filed: **Mar. 5, 2021**

(51) **LOC (14) Cl.** ..... **14-01**

(52) **U.S. Cl.**  
USPC ..... **D14/225**; D14/226

(58) **Field of Classification Search**  
USPC ..... D14/225, 226, 217, 188, 191, 192, 253,  
D14/496, 203.7, 358, 137; D13/107, 110,  
D13/168; 224/241; 439/131, 76.1;  
361/814

CPC ..... H04R 1/02; H04R 19/04; H04R 25/00;  
A45F 5/00; A45F 5/02; H04B 1/38;  
H04B 1/034; H04M 11/00; H04M 1/00  
See application file for complete search history.

FIG. 1 is a front, left, and top perspective view of a microphone transmitter and receiver set, showing the new design; the transmitter is shown separately for ease of illustration;  
FIG. 2 is a rear, right and bottom perspective view thereof;  
FIG. 3 is a front elevational view thereof;  
FIG. 4 is a rear elevational view thereof;  
FIG. 5 is a left side elevational view thereof;  
FIG. 6 is a right side elevational view thereof;  
FIG. 7 is a top plan view thereof;  
FIG. 8 is a bottom plan view thereof;  
FIG. 9 is a partial enlarged view of the area labeled FIG. 9 in FIG. 1 thereof;  
FIG. 10 is a front, left and top perspective view of the receiver, of the microphone transmitter and receiver set, shown separately for ease of illustration.  
FIG. 11 is a rear, right, and bottom perspective view thereof;  
FIG. 12 is a front elevational view thereof;  
FIG. 13 is a rear elevational view thereof;  
FIG. 14 is a left side elevational view thereof;  
FIG. 15 is a right side elevational view thereof;  
FIG. 16 is a top plan view thereof; and,  
FIG. 17 is a bottom plan view thereof.

(56) **References Cited**

**U.S. PATENT DOCUMENTS**

D387,982 S \* 12/1997 Kaplan ..... D9/423  
5,859,594 A \* 1/1999 King ..... G08B 5/225  
340/7.43

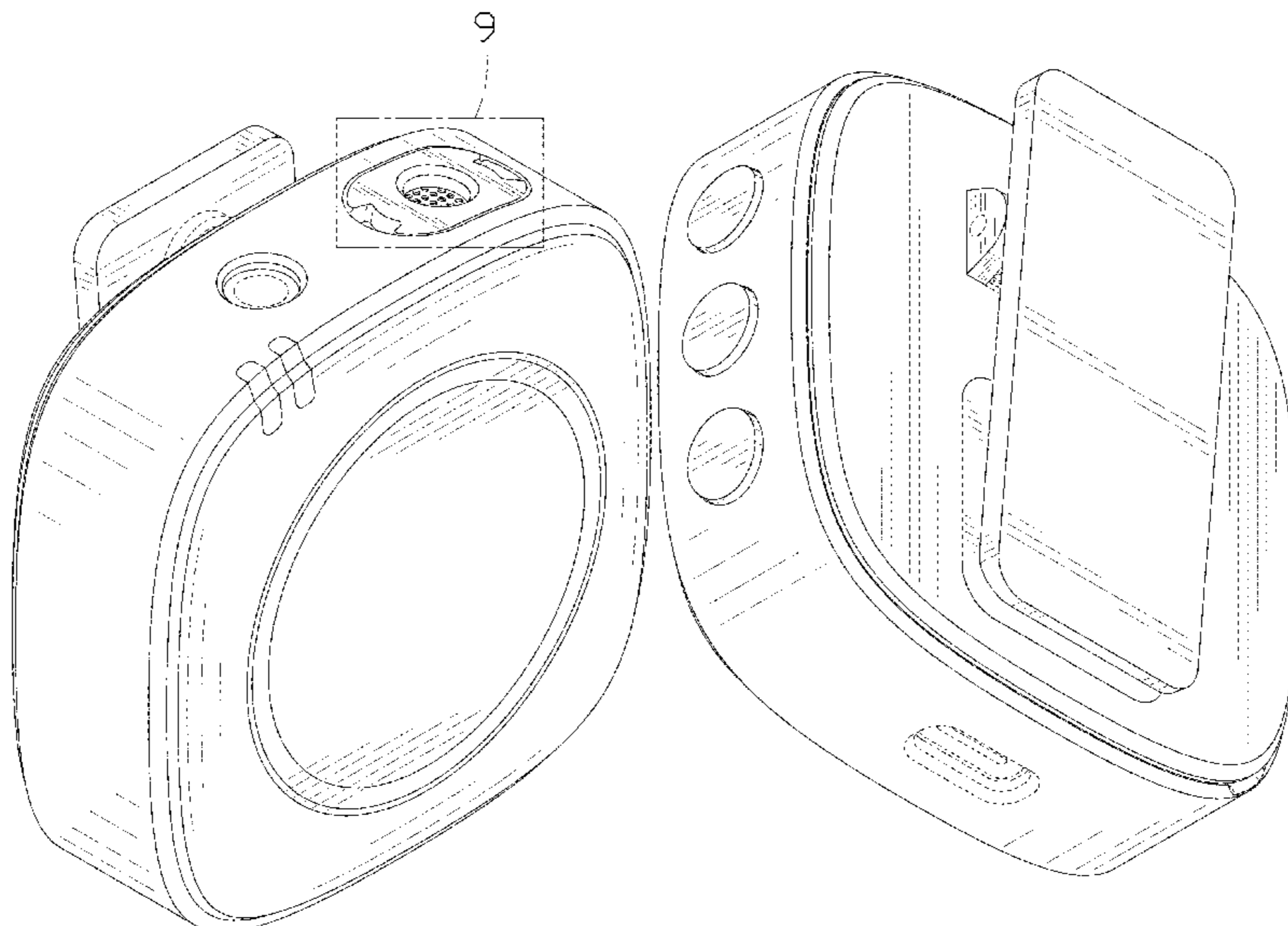
(Continued)

**FOREIGN PATENT DOCUMENTS**

CN 306432027 \* 4/2021  
CN 307448130 \* 7/2022

The broken lines shown in the drawings are included for the purpose of illustrating portions of the microphone transmitter and receiver set that form no part of the claimed design. The dot-dash broken lines encircling portions of the microphone transmitter, of the microphone transmitter and receiver set, in FIG. 1 and illustrated in the enlarged view of FIG. 9 form no part of the claimed design.

**1 Claim, 17 Drawing Sheets**



(56)

References Cited

U.S. PATENT DOCUMENTS

D409,374 S \* 5/1999 Laba ..... D3/218  
 D438,525 S \* 3/2001 Katayama ..... D14/203.3  
 D441,744 S \* 5/2001 Miyazaki ..... D14/137  
 6,283,348 B1 \* 9/2001 Wang ..... H04B 1/3888  
 24/3.12  
 6,367,672 B1 \* 4/2002 Lind ..... A45F 5/02  
 224/676  
 D491,563 S \* 6/2004 Sato ..... D14/242  
 6,752,299 B2 \* 6/2004 Shetler ..... F41C 33/045  
 24/3.11  
 D495,322 S \* 8/2004 Doyle ..... D14/240  
 D496,347 S \* 9/2004 Choi ..... D14/191  
 D497,356 S \* 10/2004 Jerome ..... D14/188  
 D499,424 S \* 12/2004 Bahroocha ..... D14/203.7  
 D519,101 S \* 4/2006 Alwicker ..... D14/188  
 D536,692 S \* 2/2007 Alwicker ..... D14/188  
 D540,774 S \* 4/2007 Alwicker ..... D14/155  
 D583,806 S \* 12/2008 Okazaki ..... D14/225  
 D609,701 S \* 2/2010 Hou ..... D14/240  
 D616,875 S \* 6/2010 Oh ..... D14/188  
 D641,372 S \* 7/2011 Gardner ..... D14/486  
 D661,249 S \* 6/2012 Smith ..... D13/110  
 D682,806 S \* 5/2013 Smith ..... D14/155  
 D693,805 S \* 11/2013 Sip ..... D14/480.6  
 D705,748 S \* 5/2014 He ..... D14/155  
 D707,651 S \* 6/2014 Tsai ..... D14/191  
 D718,271 S \* 11/2014 McTague ..... D14/203.1

8,899,457 B1 \* 12/2014 Maus ..... A45F 5/021  
 224/663  
 D740,262 S \* 10/2015 Hasegawa ..... D14/240  
 D758,217 S \* 6/2016 Kumfer ..... D10/50  
 D761,138 S \* 7/2016 Manabe ..... D10/70  
 D797,712 S \* 9/2017 Chang ..... D14/240  
 D800,086 S \* 10/2017 Scherr ..... D14/138 G  
 D803,193 S \* 11/2017 Meinertz ..... D14/225  
 D819,607 S \* 6/2018 Chui ..... D14/225  
 D820,235 S \* 6/2018 Ricci ..... D14/188  
 D826,907 S \* 8/2018 Deyaf ..... D14/225  
 D848,984 S \* 5/2019 Ohashi ..... D14/225  
 D850,627 S \* 6/2019 Purani ..... D10/70  
 D874,960 S \* 2/2020 Miller ..... D10/106.1  
 D893,445 S \* 8/2020 Wall ..... D14/188  
 D894,161 S \* 8/2020 Ye ..... D14/225  
 D916,678 S \* 4/2021 Du ..... D14/155  
 D917,439 S \* 4/2021 Mochizuki ..... D14/240  
 D925,501 S \* 7/2021 Chen ..... D14/225  
 D925,504 S \* 7/2021 Wang ..... D14/228  
 D933,050 S \* 10/2021 Jia ..... D14/344  
 D934,206 S \* 10/2021 Liu ..... D14/225  
 D936,042 S \* 11/2021 Yang ..... D14/225  
 D942,962 S \* 2/2022 Dharmadas ..... D14/188  
 D953,304 S \* 5/2022 Huang ..... D14/225  
 D953,305 S \* 5/2022 Zhang ..... D14/188  
 2003/0160754 A1 \* 8/2003 Hanson ..... G06F 1/1626  
 345/156  
 2004/0032711 A1 \* 2/2004 Kaczeus, Sr. .... G06F 1/184  
 2013/0230752 A1 \* 9/2013 Fujihara ..... H01M 50/103  
 429/82

\* cited by examiner

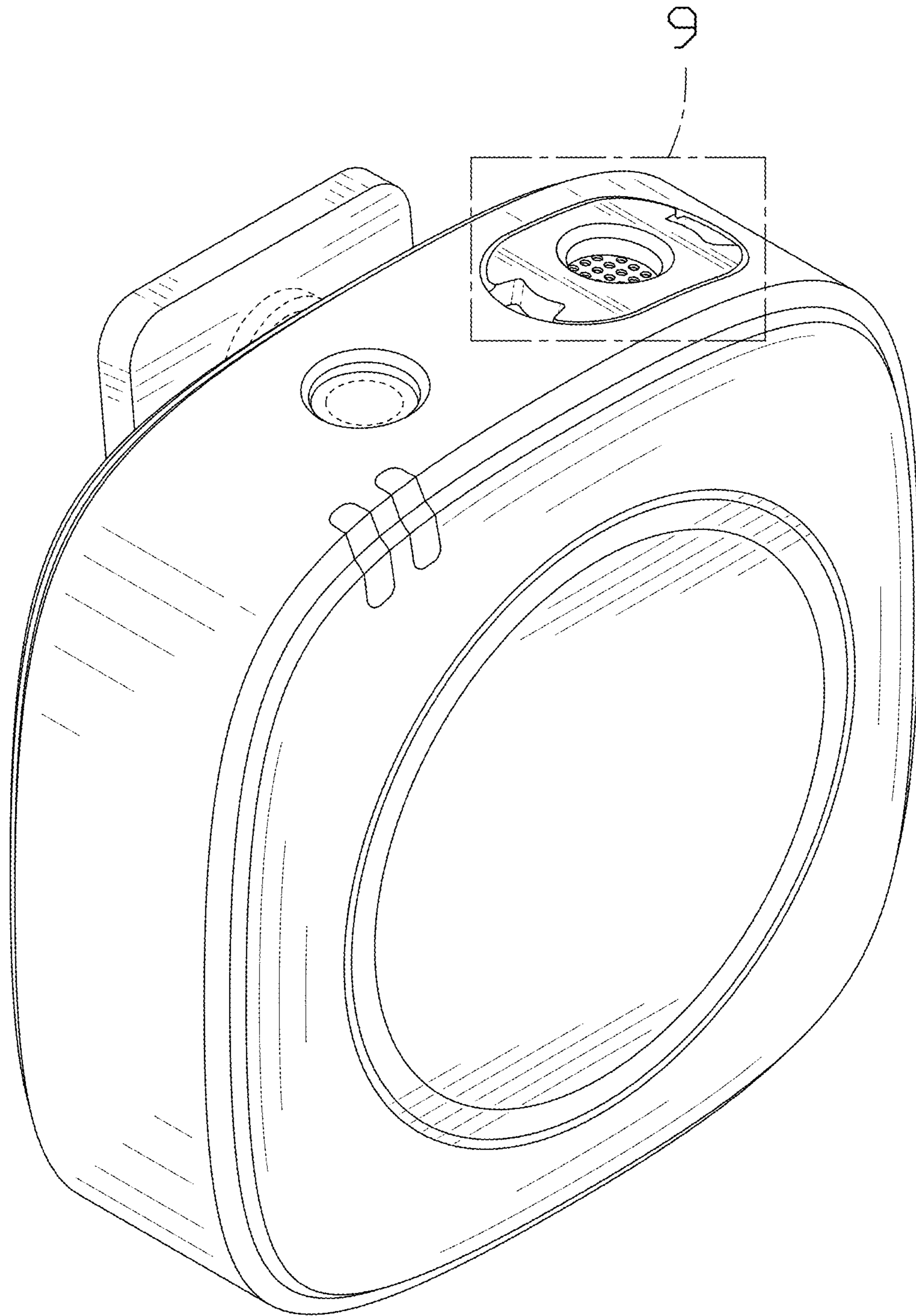


FIG. 1

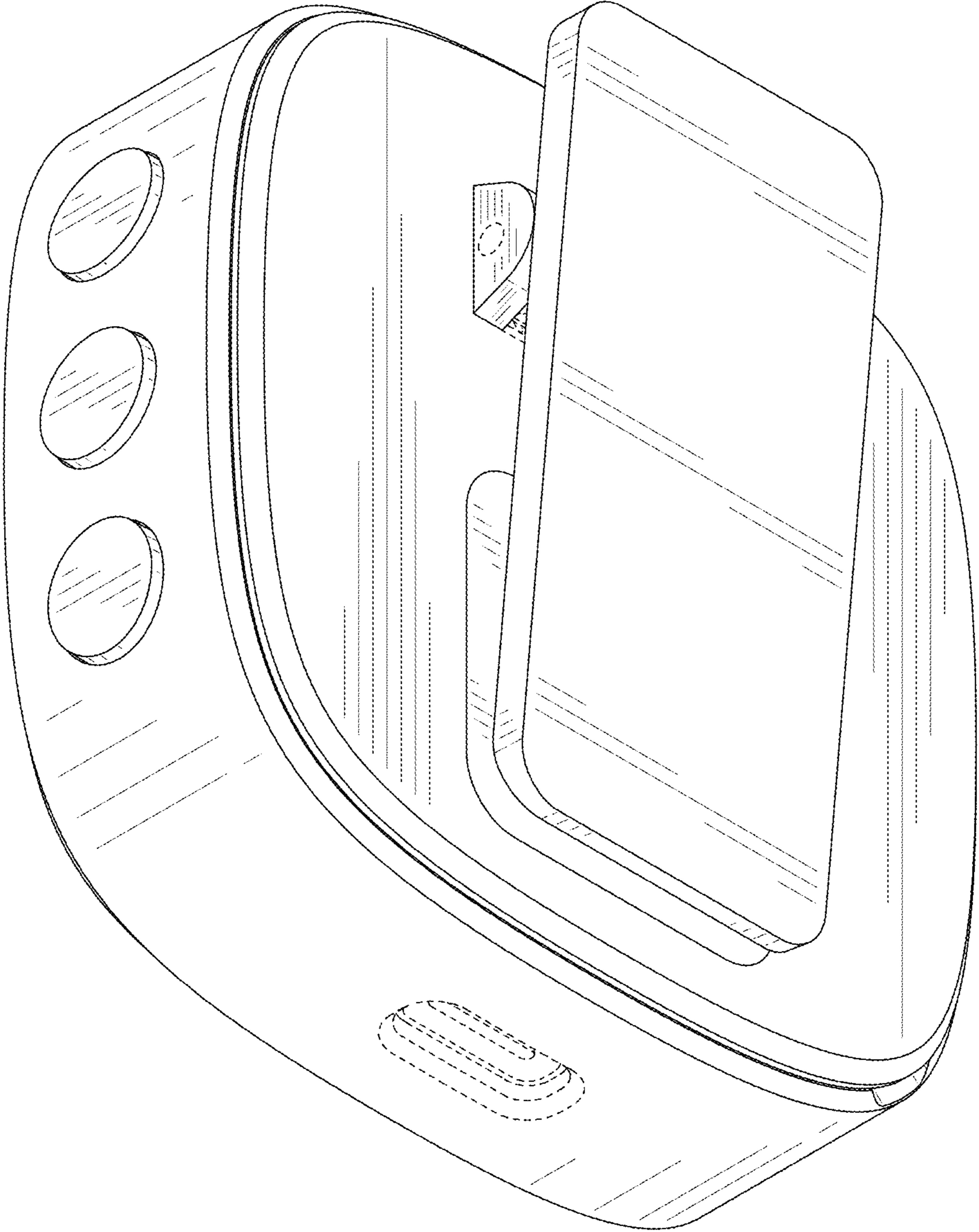


FIG. 2

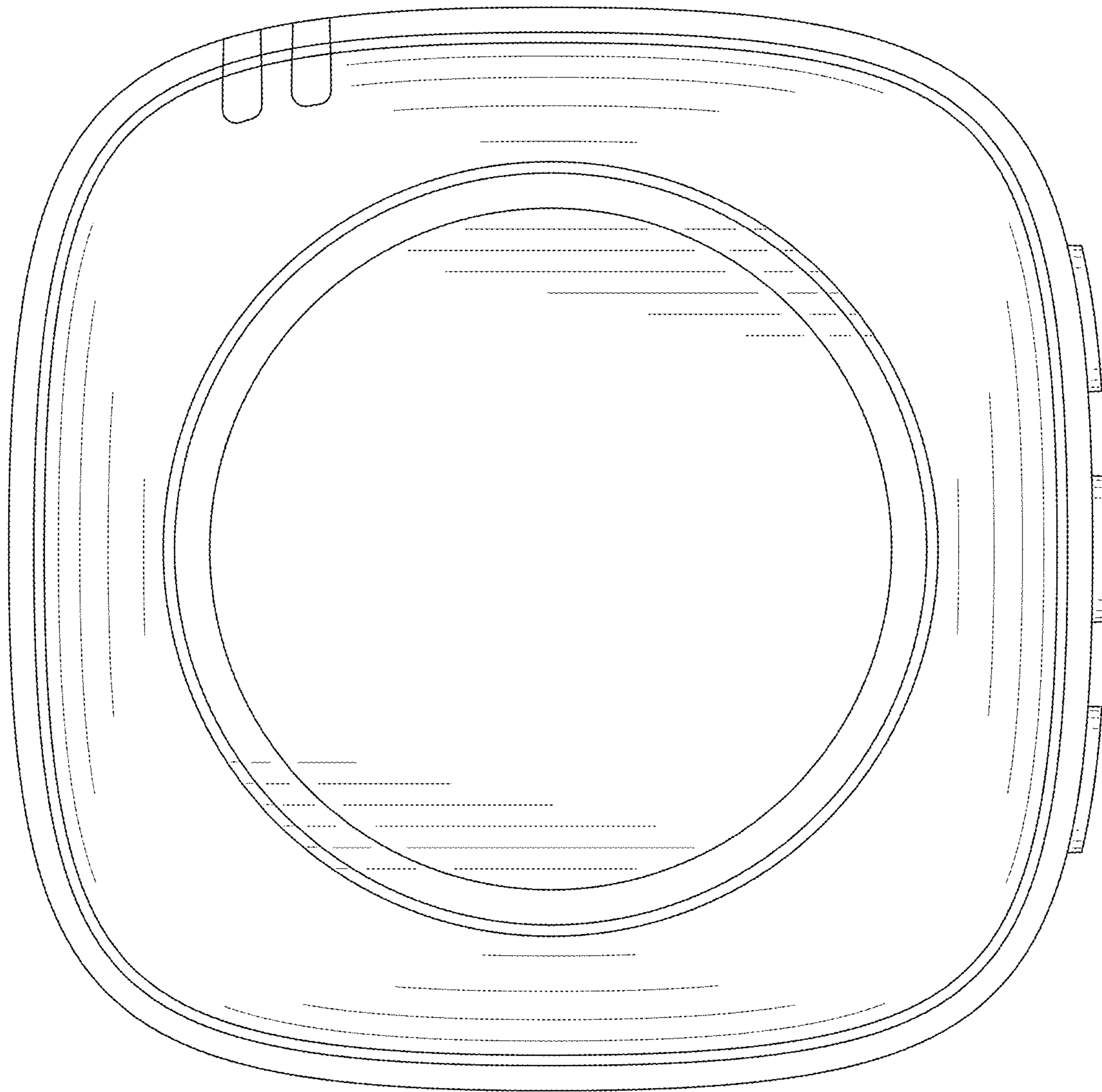


FIG. 3

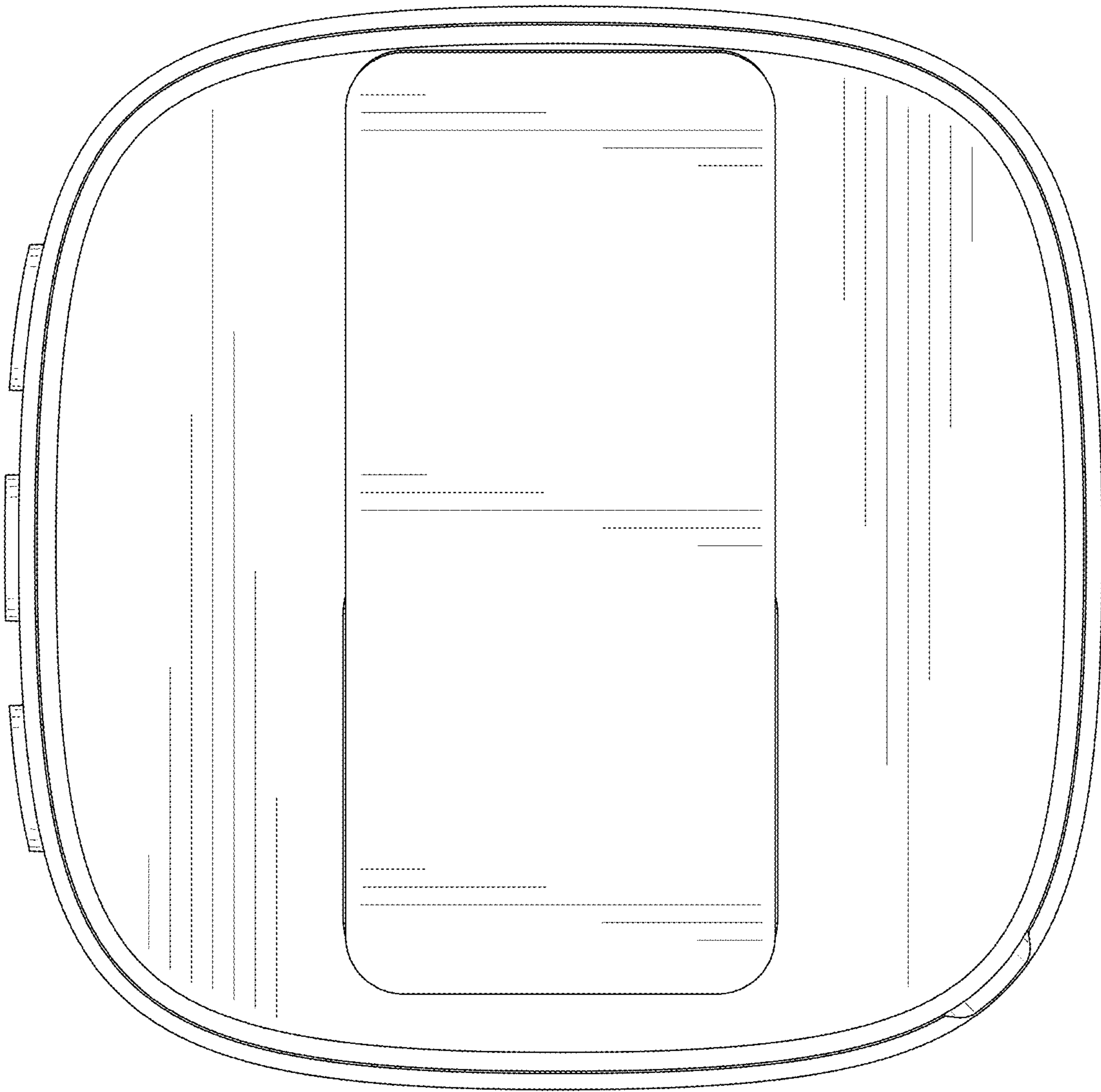


FIG. 4

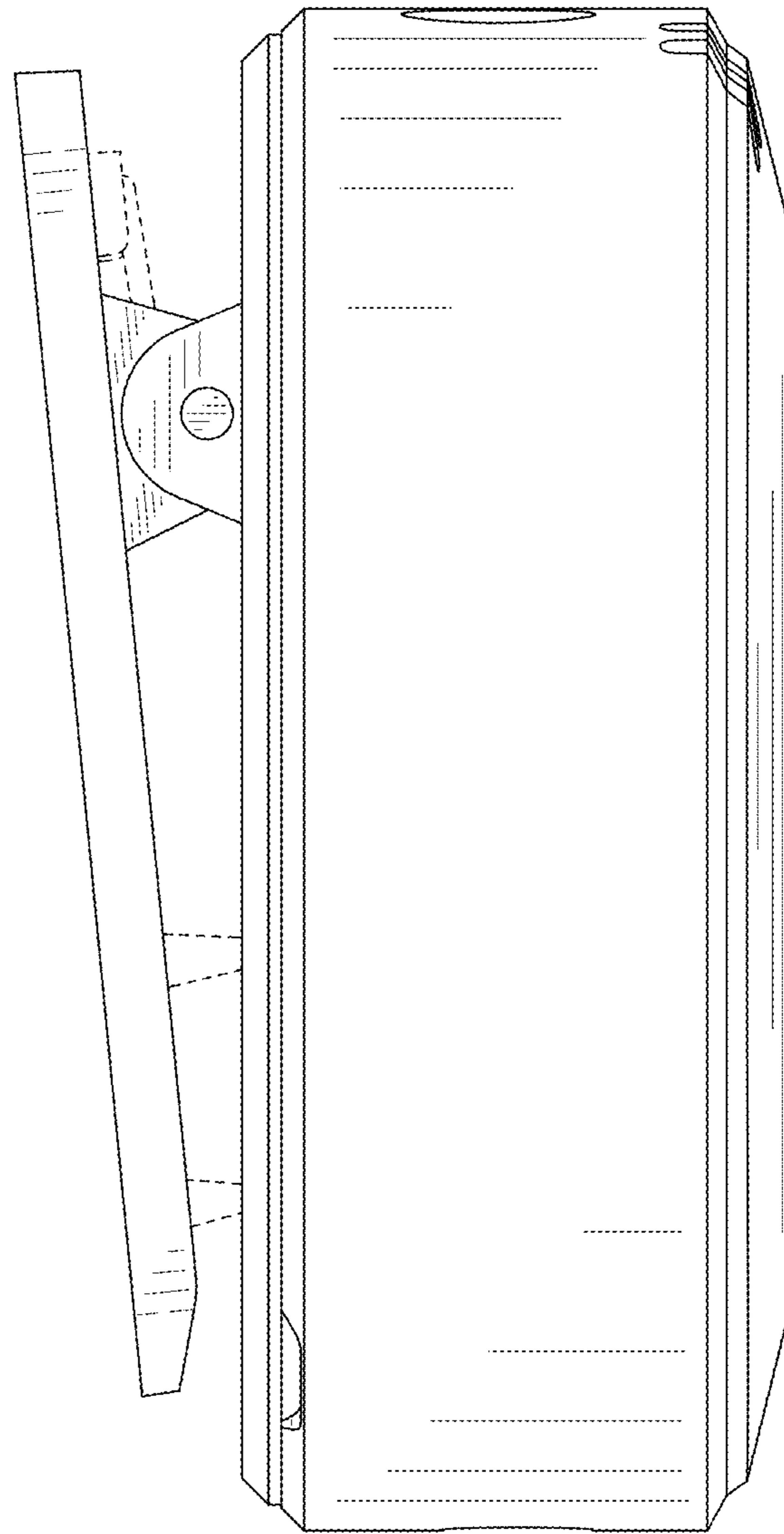


FIG. 5

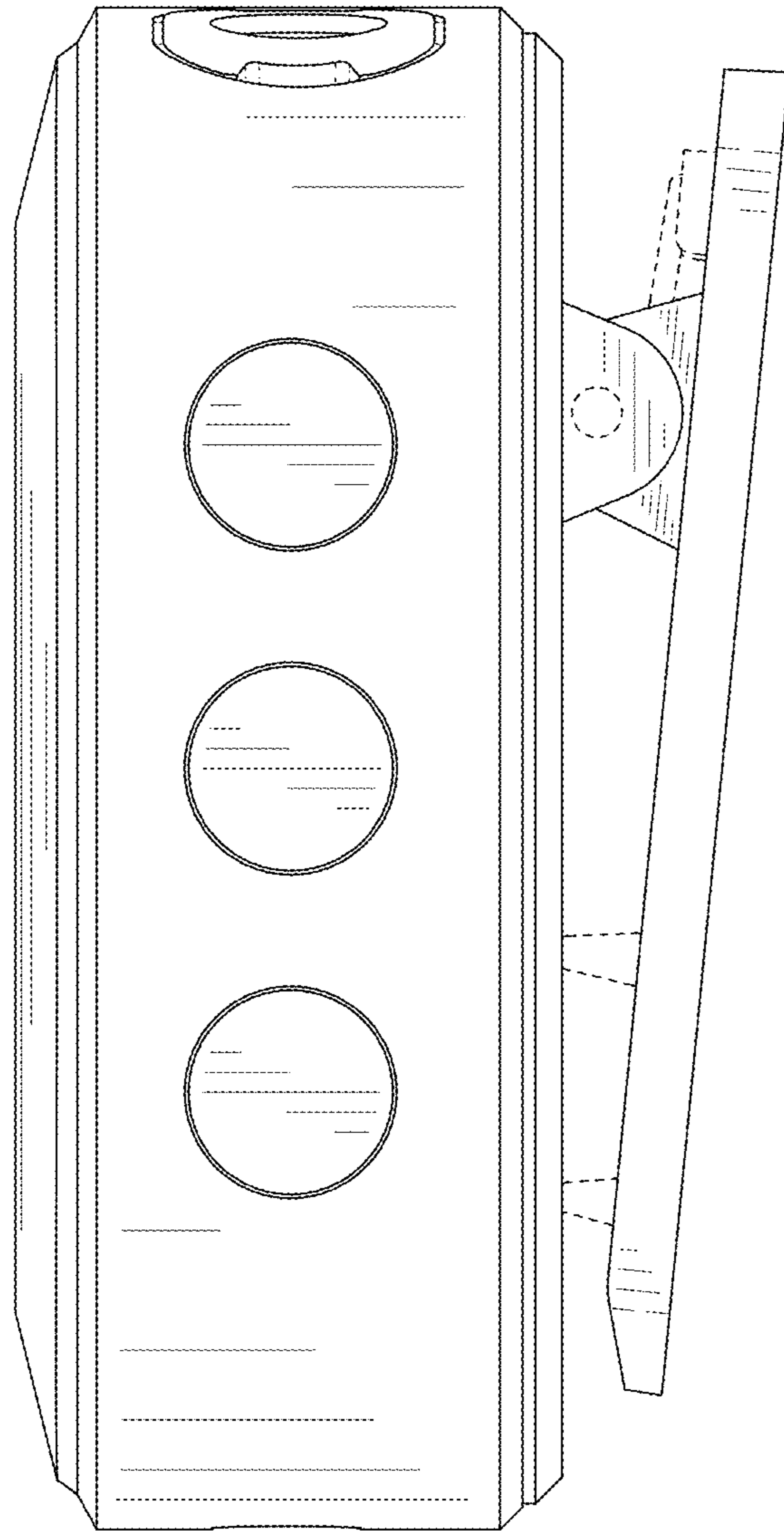


FIG. 6



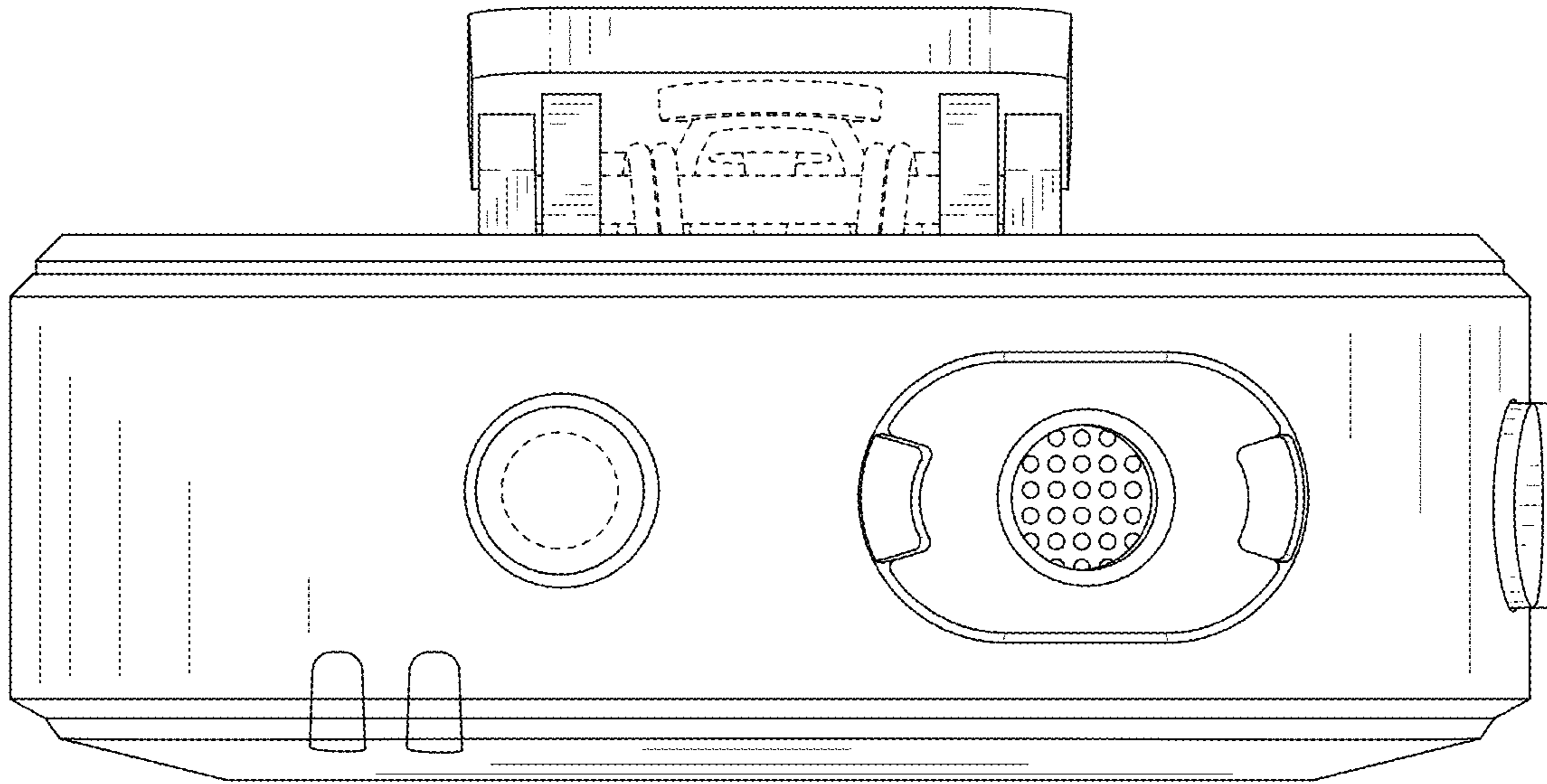


FIG. 7

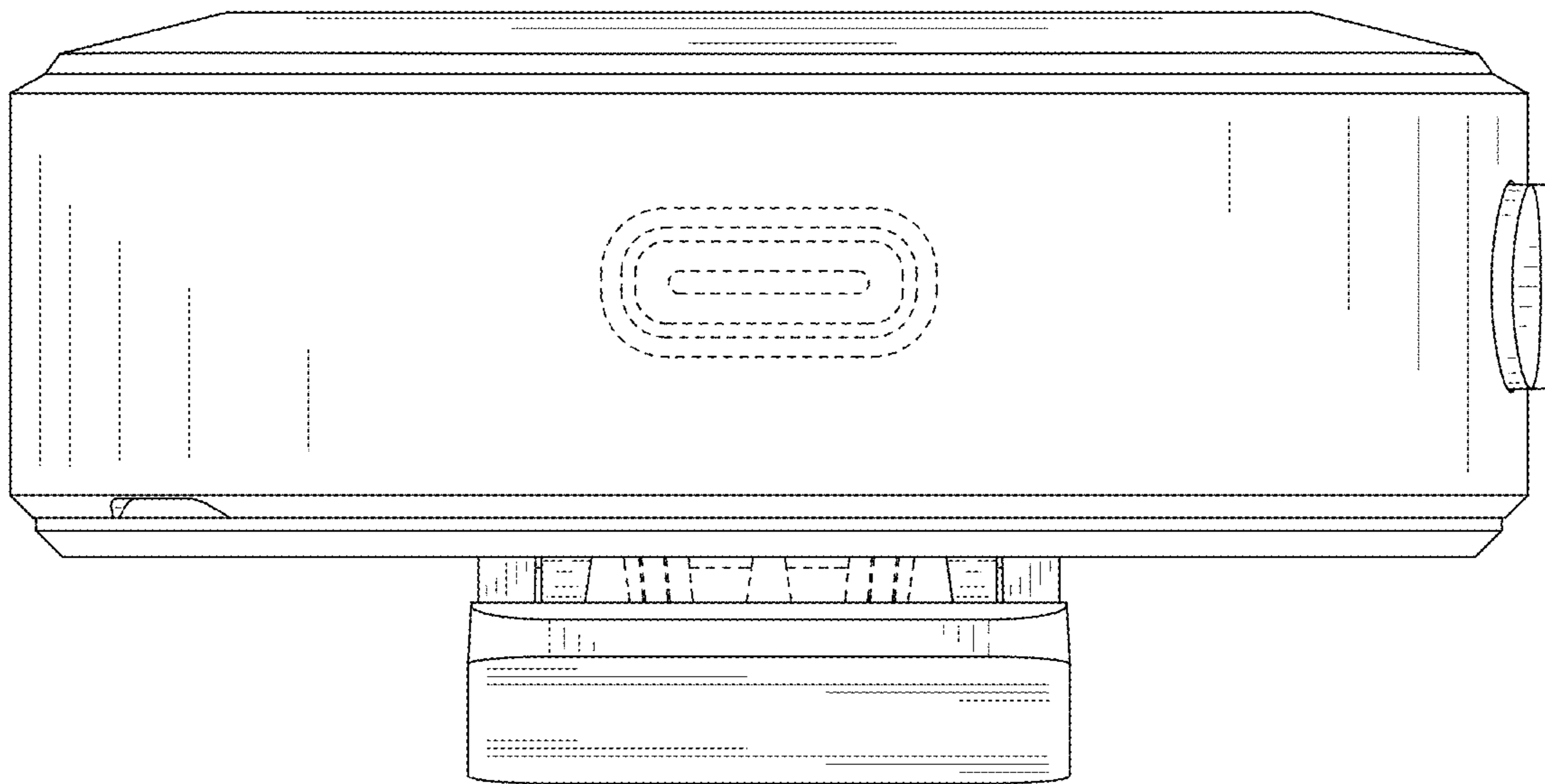


FIG. 8

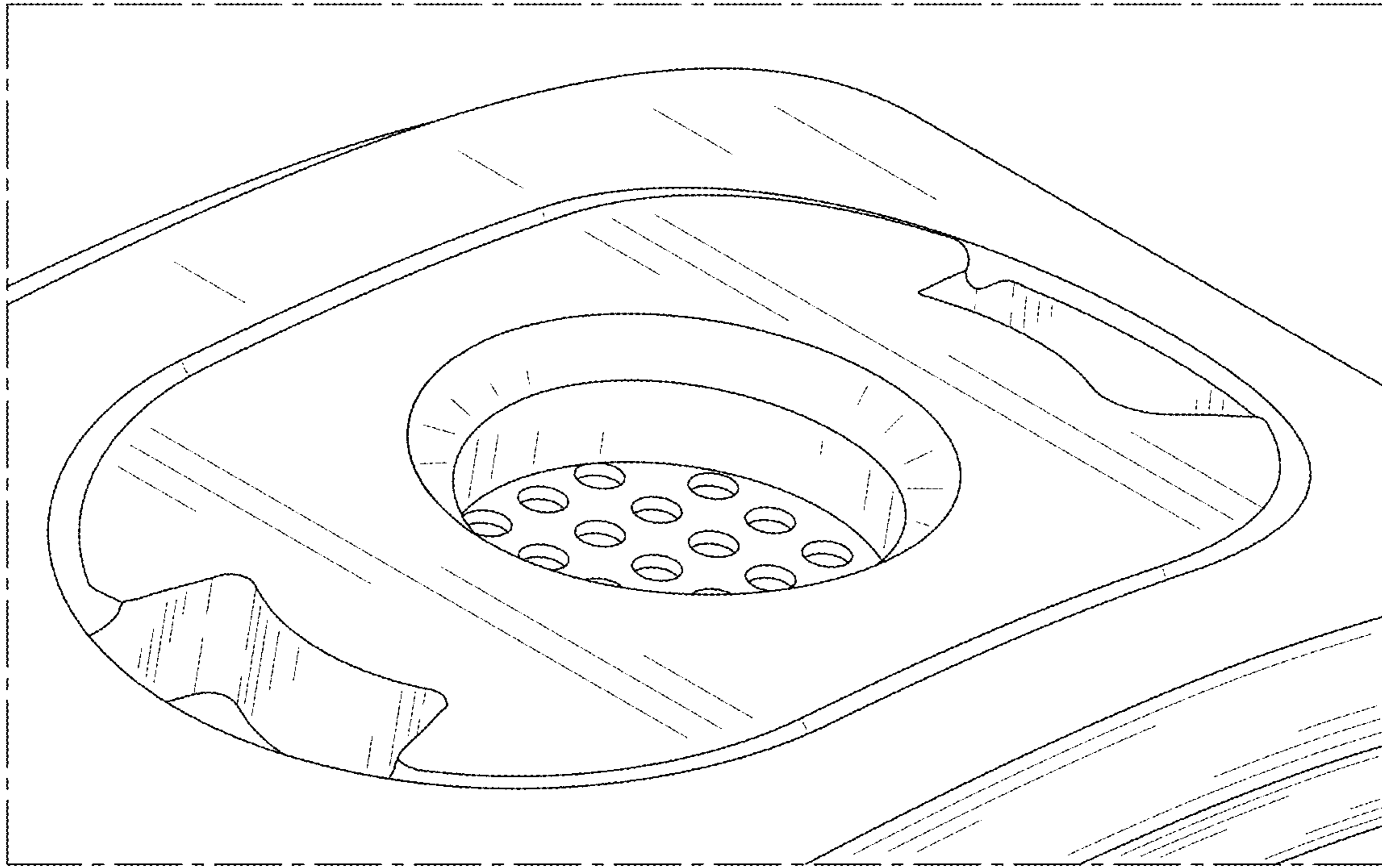


FIG. 9

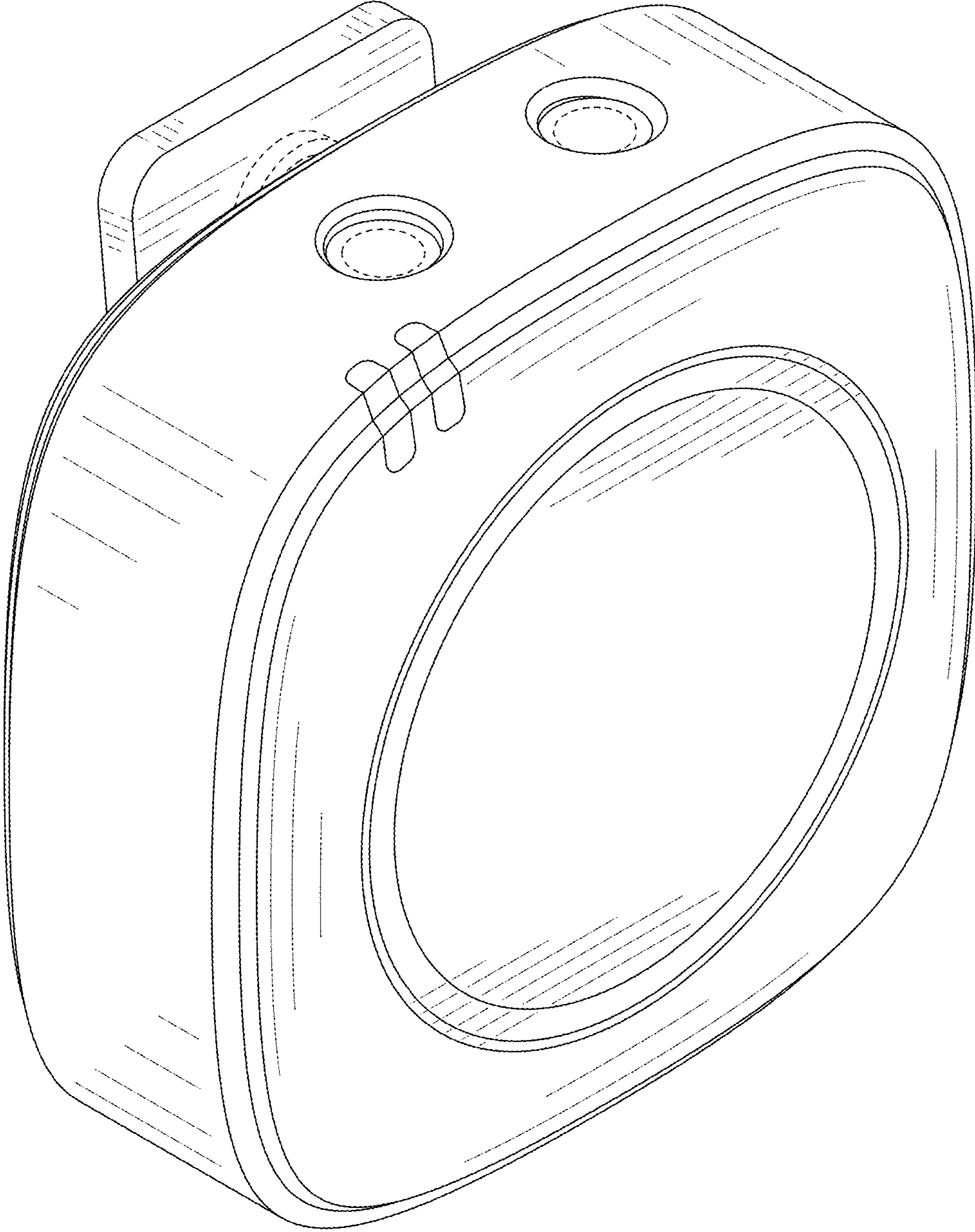


FIG. 10

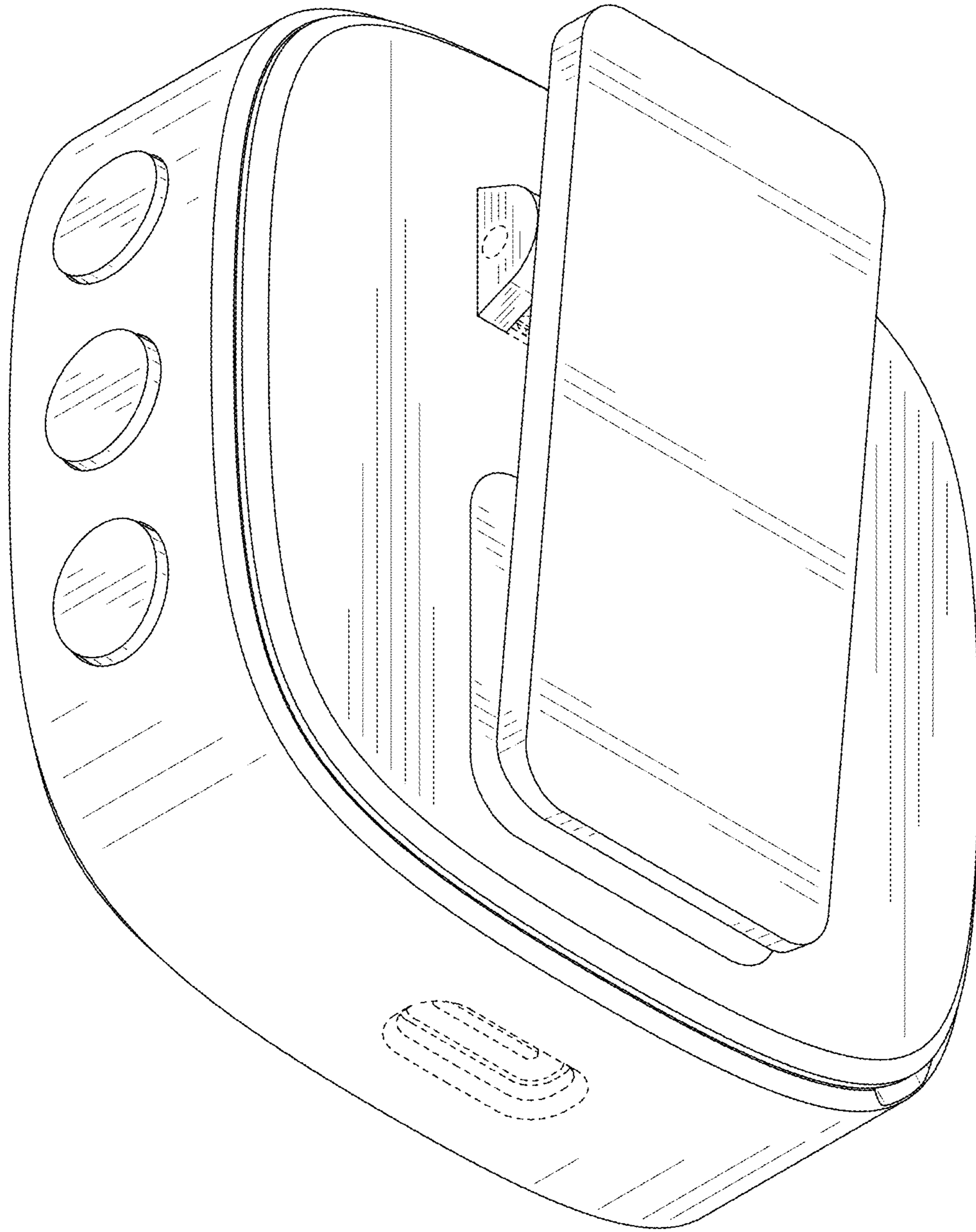


FIG. 11

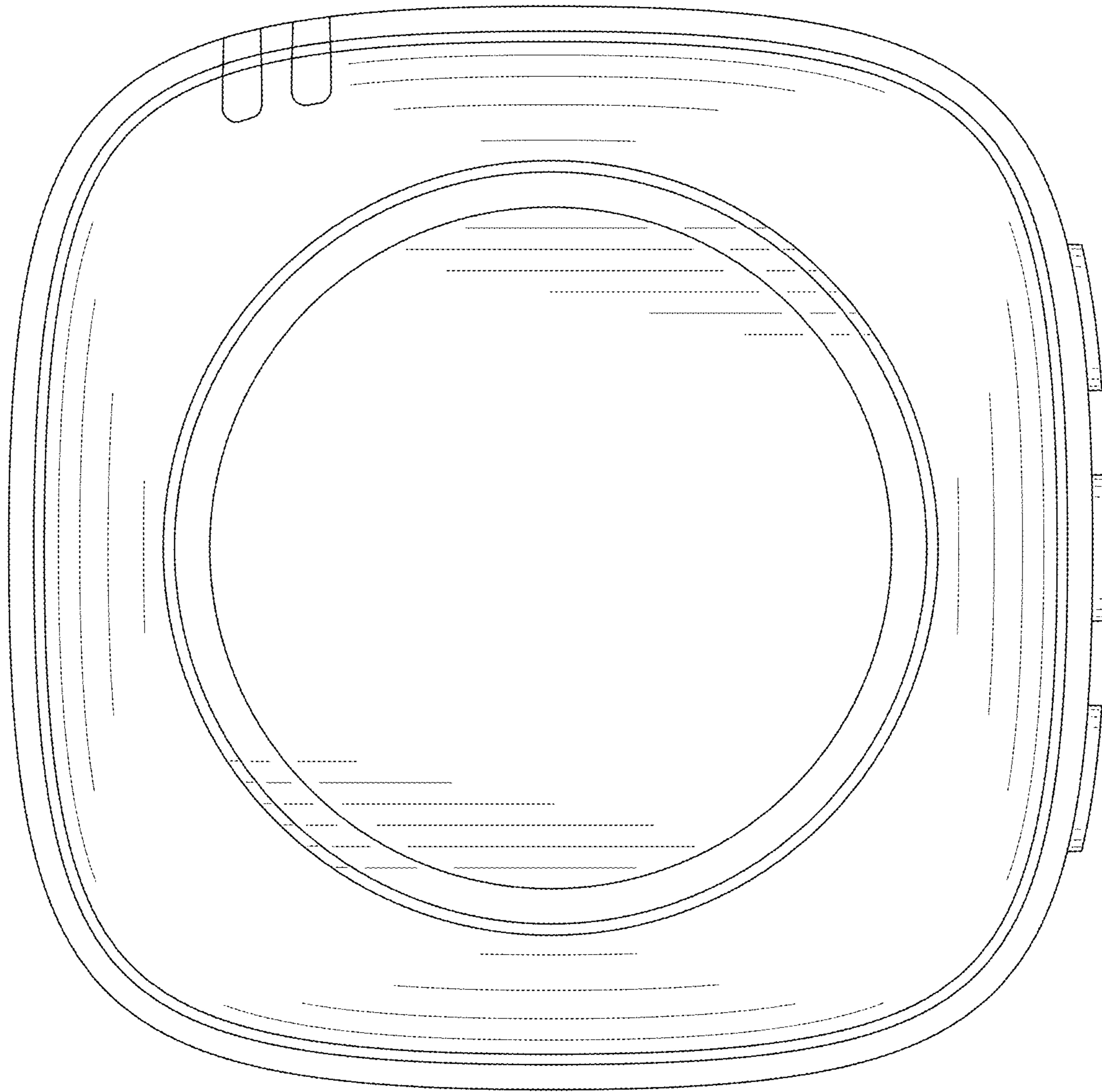


FIG. 12

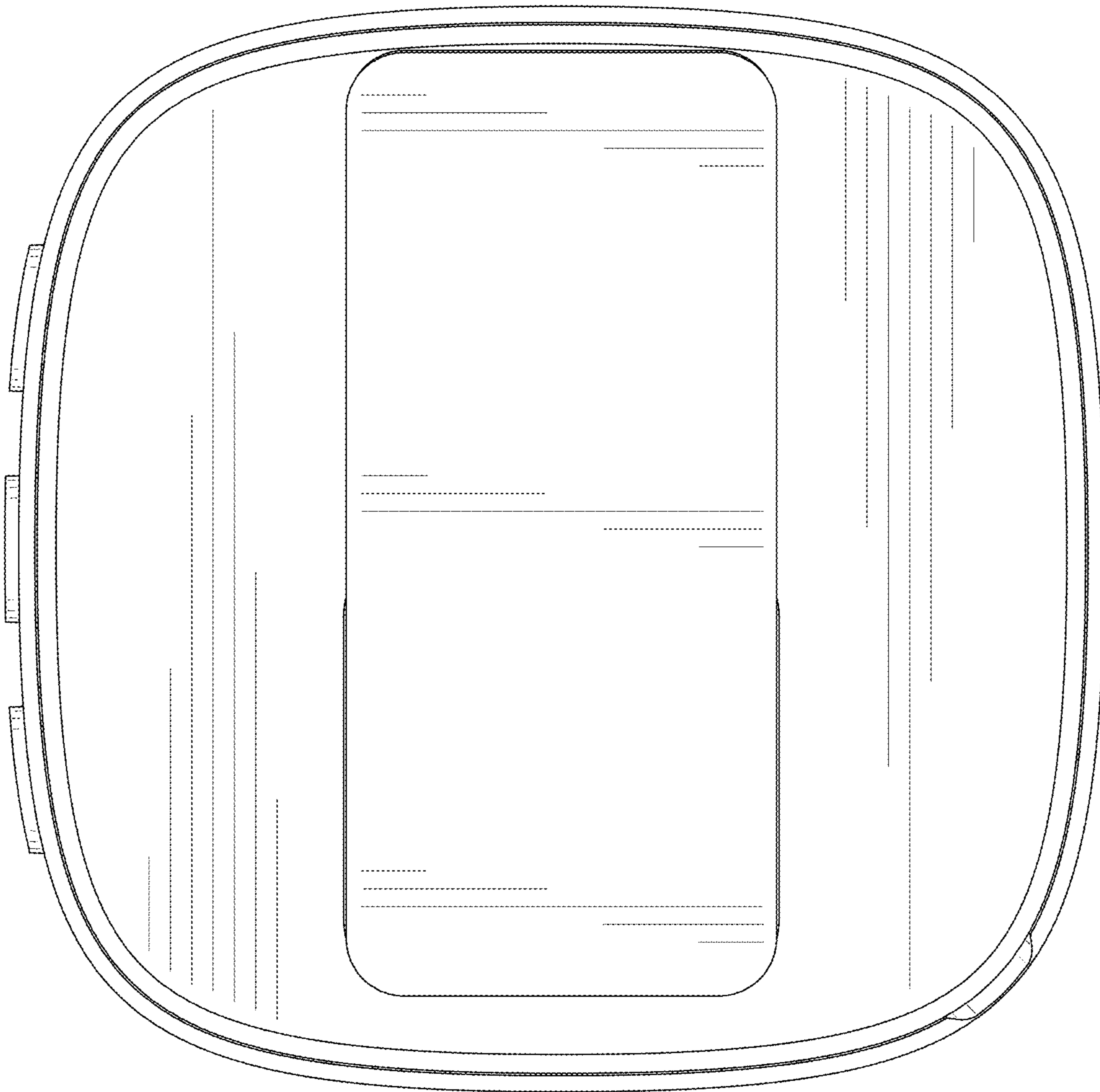


FIG. 13

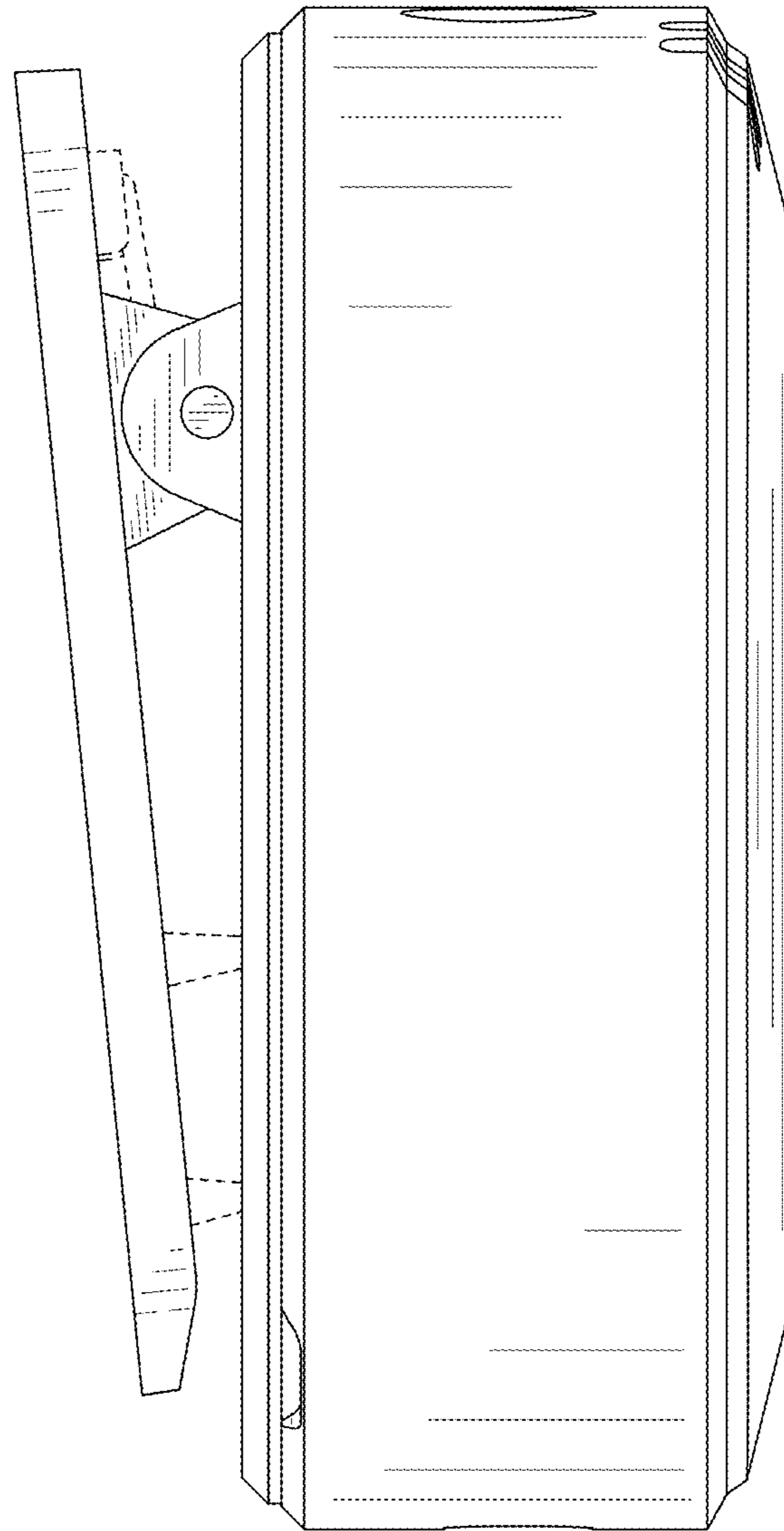


FIG. 14



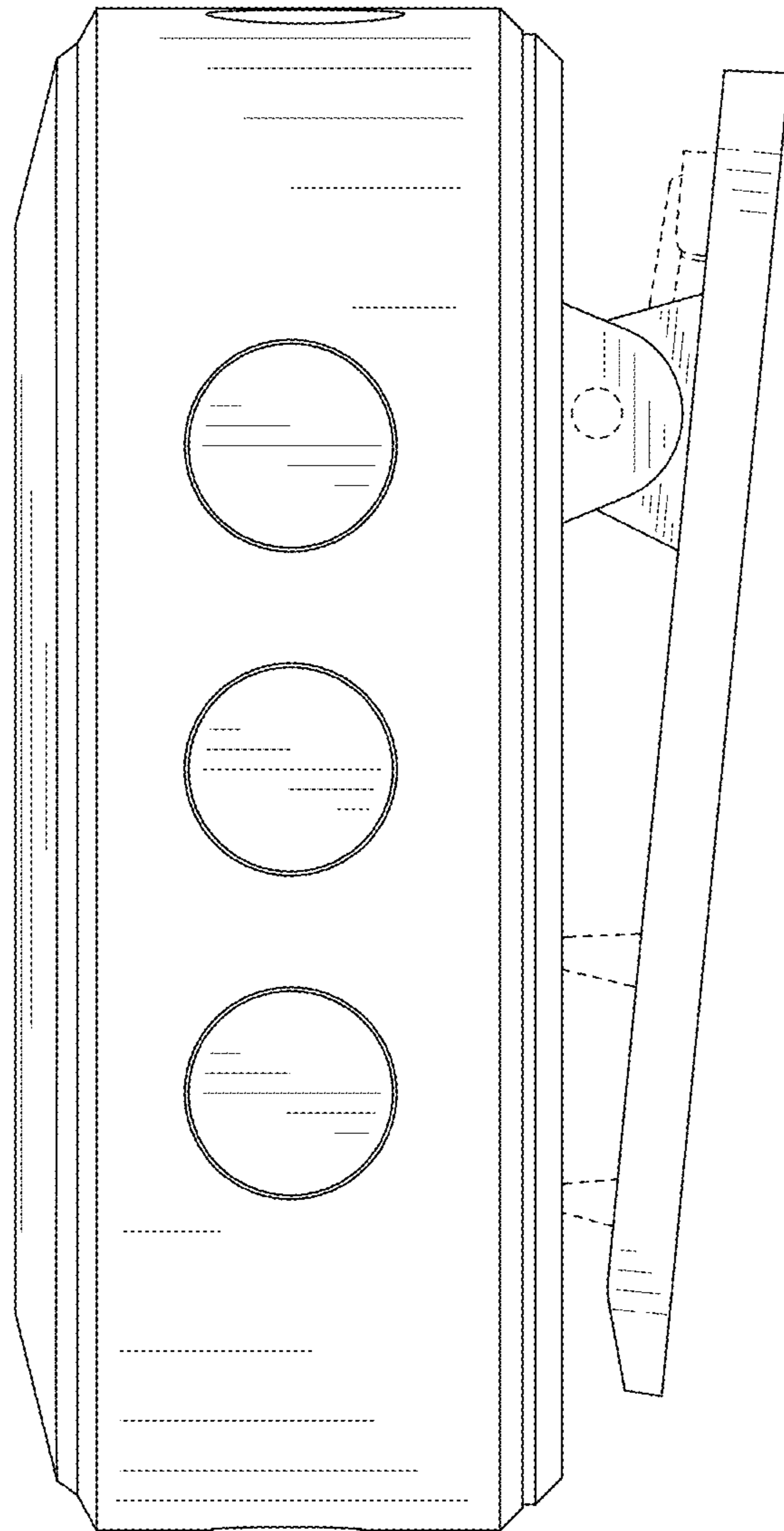


FIG. 15

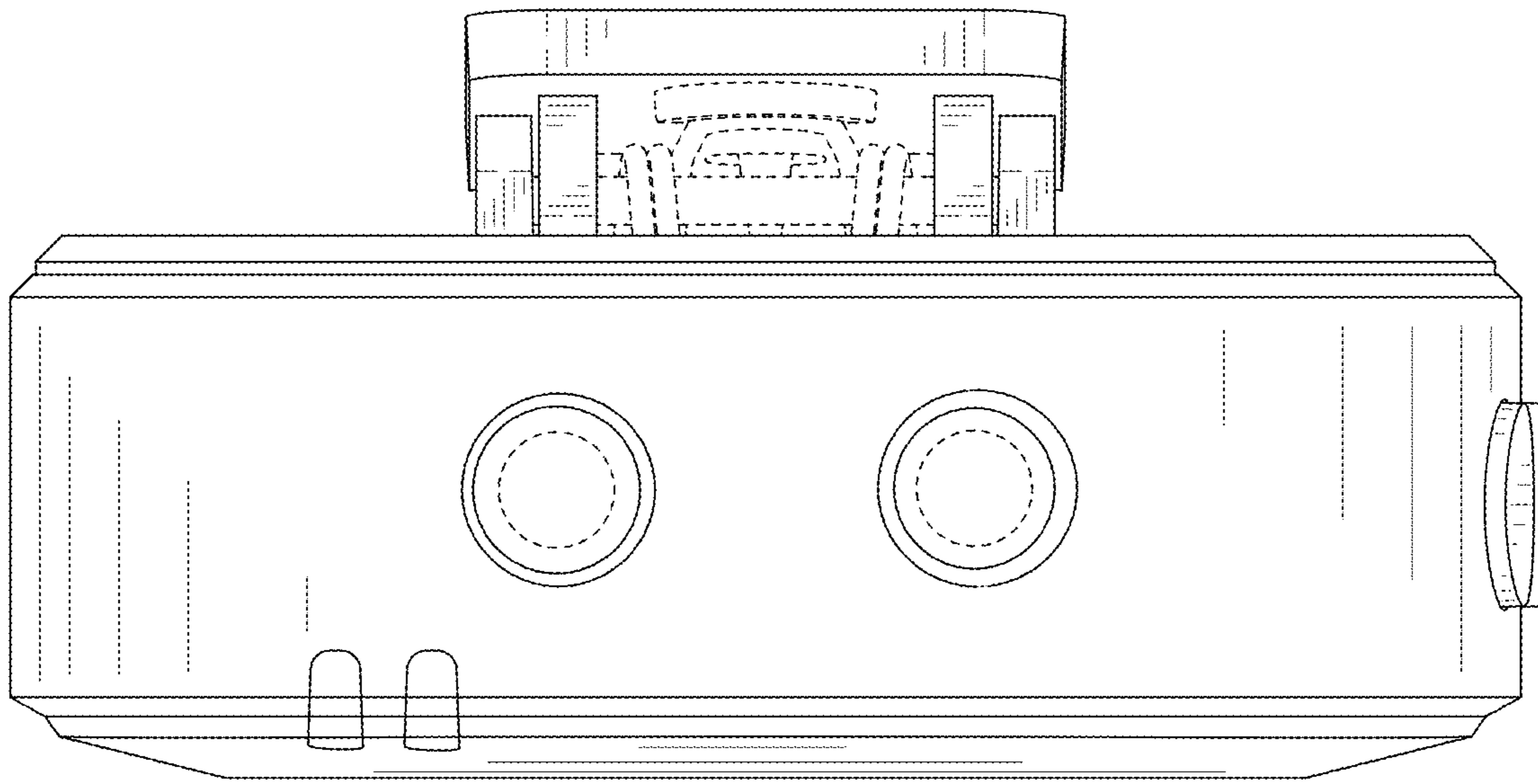


FIG. 16

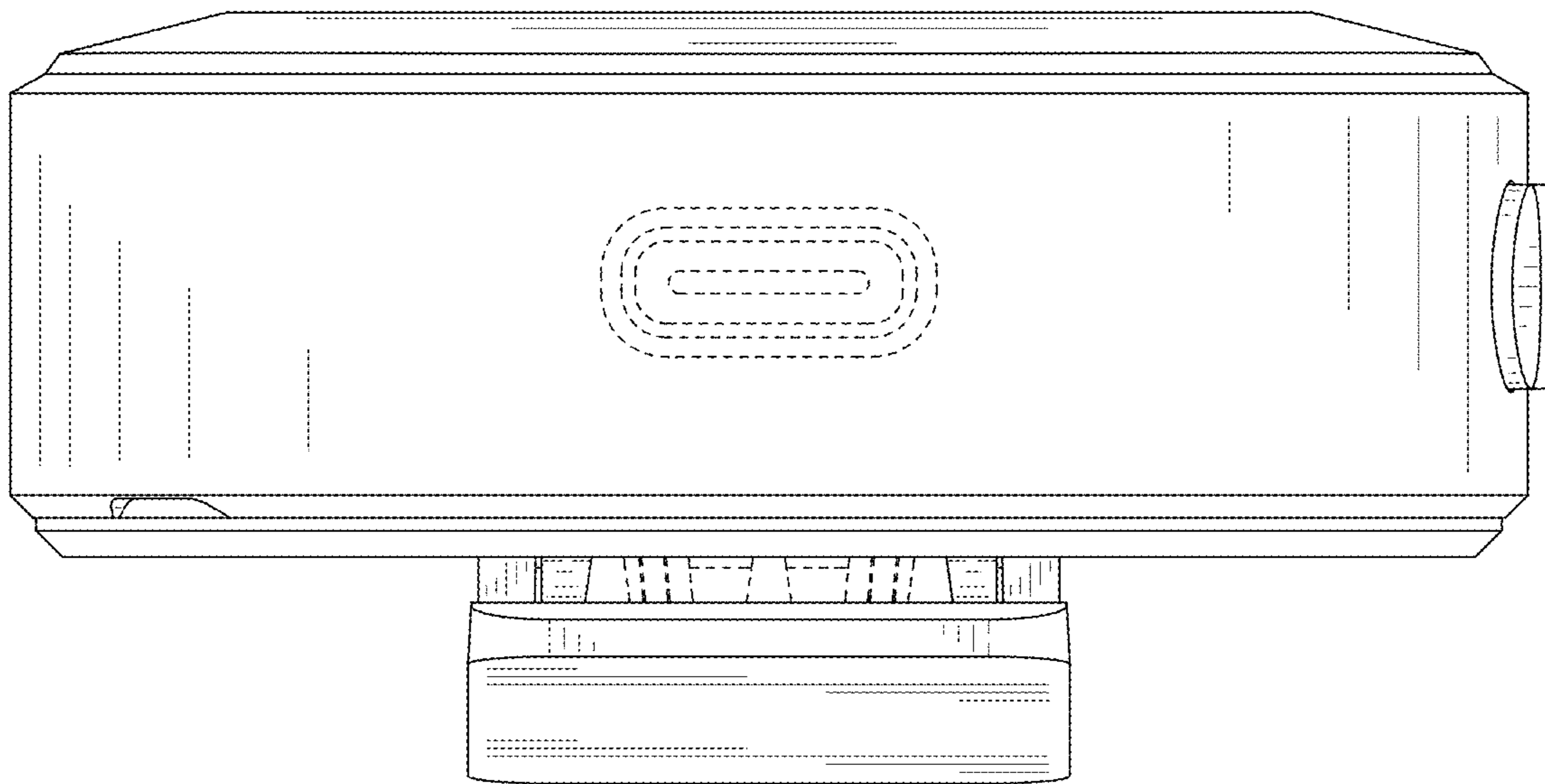


FIG. 17