



US00D980196S

(12) **United States Design Patent** (10) **Patent No.:** **US D980,196 S**
Bae et al. (45) **Date of Patent:** **** Mar. 7, 2023**

(54) **STAND FOR AUDIO PLAYER**

FOREIGN PATENT DOCUMENTS

(71) Applicant: **LG ELECTRONICS INC.**, Seoul (KR)

KR 301136841.0000 * 11/2021
KR 301174402.0000 * 7/2022

(Continued)

(72) Inventors: **Jinwan Bae**, Seoul (KR); **Seungil Lee**, Seoul (KR); **Hophil Lee**, Seoul (KR); **Sanghyun Choi**, Seoul (KR)

OTHER PUBLICATIONS

(73) Assignee: **LG ELECTRONICS INC.**, Seoul (KR)

LG Gallery Floor Stand, question date: Jul. 12, 2022, [retrieved Aug. 11, 2022], Retrieved from Internet, URL: <https://www.bhphotovideo.com/c/product/1696680-REG/lg_fs22ga_2022_oled_floor_stand.html> (Year: 2022).*

(Continued)

(**) Term: **15 Years**

(21) Appl. No.: **29/784,843**

(22) Filed: **May 21, 2021**

Primary Examiner — Barbara Fox
Assistant Examiner — Aram Kwon

(30) **Foreign Application Priority Data**

Dec. 1, 2020 (KR) 30-2020-0058908

(74) *Attorney, Agent, or Firm* — Birch, Stewart, Kolasch & Birch, LLP

(51) **LOC (14) Cl.** **14-01**

(52) **U.S. Cl.**
USPC **D14/224**

(57) **CLAIM**

(58) **Field of Classification Search**
USPC D14/155–159, 160–173, 187–188, D14/189–198, 203.1–203.8, 204–216, D14/217–222, 223, 224–229, 239, D14/251–253, 257–258, 335–337, D14/371–382, 432, 439–441, 447–452, D14/457, 496, 498–506; D6/672–673, D6/675.1, 682; D26/60–63
CPC H04R 1/02; H04R 1/021; H04R 1/025; H04R 1/026; H04R 1/028; H04R 1/06;
(Continued)

The ornamental design for a stand for audio player, as shown and described.

DESCRIPTION

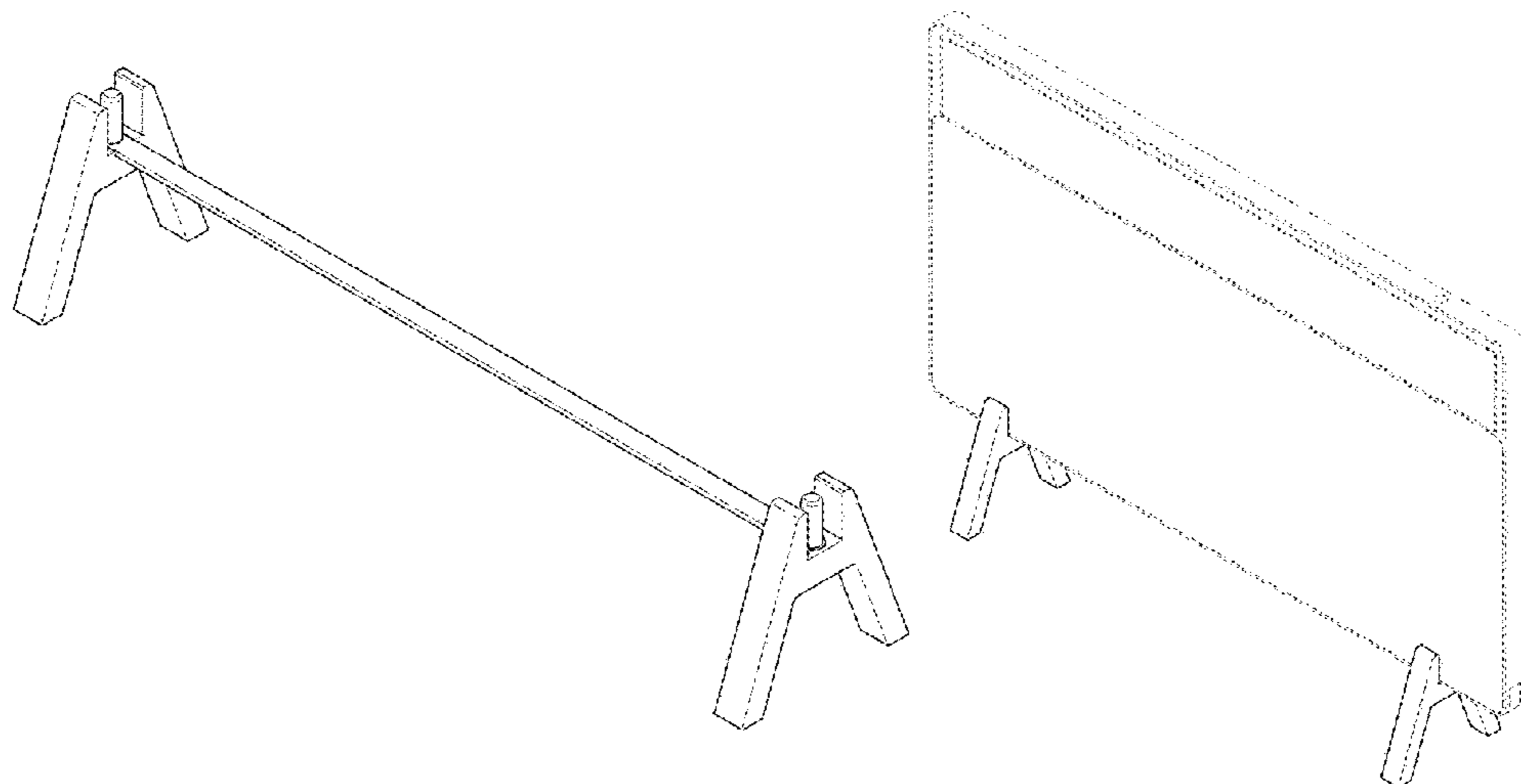
(56) **References Cited**

U.S. PATENT DOCUMENTS

1,469,212 A * 10/1923 De Pew A47B 97/08
232/1 C
2,844,897 A * 7/1958 Vance, Jr. E01F 9/688
248/166
D269,691 S * 7/1983 Ornstein D21/691
(Continued)

FIG. 1 is a front, right side, perspective view of a stand for audio player showing our new design; FIG. 2 is a front view thereof; FIG. 3 is a rear view thereof; FIG. 4 is a left side view thereof; FIG. 5 is a right side view thereof; FIG. 6 is a top view thereof; FIG. 7 is a bottom view thereof; and, FIG. 8 is a perspective view of the stand for audio player shown in an environment of use. The broken lines shown in the drawings depict environment structure that forms no part of the claimed design.

1 Claim, 8 Drawing Sheets



(58) **Field of Classification Search**
CPC H04R 1/105; H04R 1/323; H04R 1/403;
H04R 1/2803; H04R 1/2834
See application file for complete search history.

(56) **References Cited**

U.S. PATENT DOCUMENTS

D332,738 S * 1/1993 Bloom D8/380
D375,171 S * 10/1996 Moffitt D25/67
D405,578 S * 2/1999 Shumake D34/17
D417,536 S * 12/1999 Sum D32/58
D571,121 S * 6/2008 Radermacher D6/684
D606,843 S * 12/2009 Grant D8/349
D743,385 S * 11/2015 Ann D14/239
D757,019 S * 5/2016 Pitteri D14/447
D757,667 S * 5/2016 Yokota D14/126
D782,493 S * 3/2017 Lu D14/451
D784,305 S * 4/2017 Lee D14/239
D786,224 S * 5/2017 Heckler D14/239
D788,750 S * 6/2017 Choi D14/239
D789,916 S * 6/2017 Choi D14/239
D790,137 S * 6/2017 Scotti D30/120
D791,094 S * 7/2017 Han D14/126
D792,383 S * 7/2017 Choi D14/239

D794,620 S * 8/2017 Lee D14/239
D809,733 S * 2/2018 Newgent D34/31
D818,999 S * 5/2018 Kim D14/239
D822,109 S * 7/2018 Avallon D19/114
D872,877 S * 1/2020 Hanlon D25/67
D882,824 S * 4/2020 Hanlon D25/67
D927,928 S * 8/2021 Dahle D6/684
D959,439 S * 8/2022 Blevins D14/447
D968,855 S * 11/2022 Huang D6/672

FOREIGN PATENT DOCUMENTS

WO WOD213896-001 * 10/2021
WO WOD214409-001 * 5/2022

OTHER PUBLICATIONS

Artistic Sawhorse TV Stand, review date: Oct. 7, 2020, [retrieved Aug. 11, 2022], Retrieved from Internet, URL: <https://www.displays2go.com/P-40820/Modern-Sawhorse-Style-TV-Display-Stand-Wooden-Legs-fits-70-Monitors?gclid=EAlalQobChMIiSyuu_QIV1%E2%80%A6> (Year: 2020).*

* cited by examiner

FIG. 1

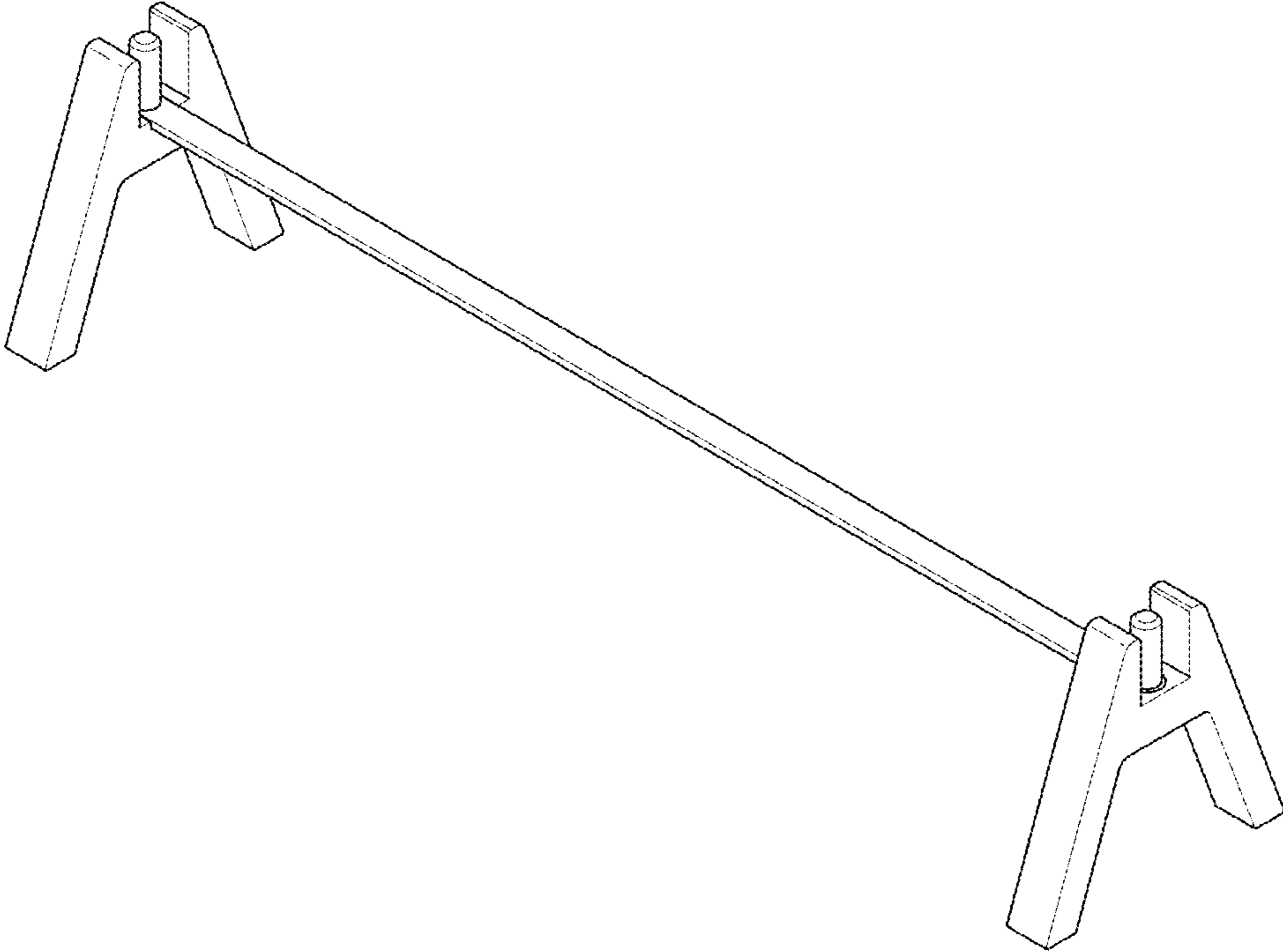


FIG. 2

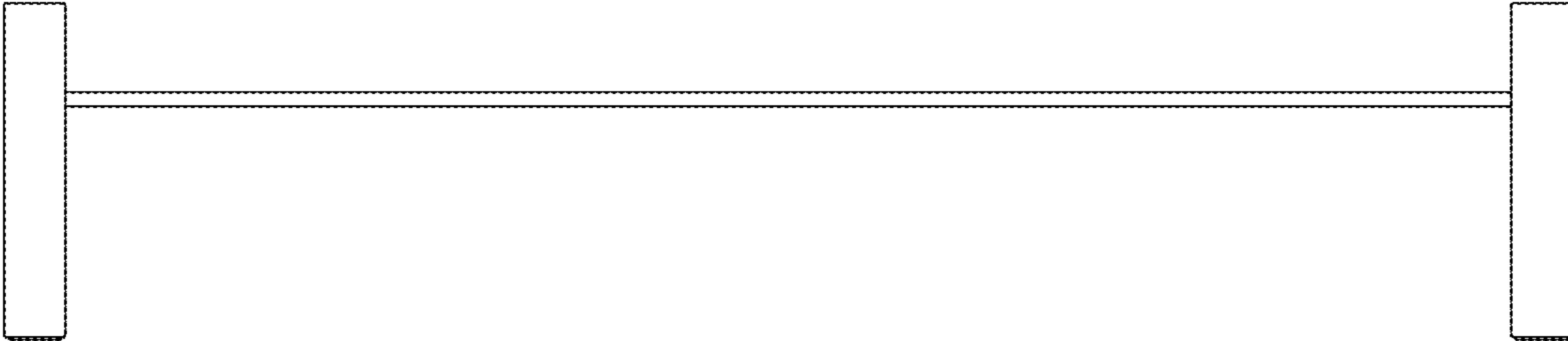


FIG. 3

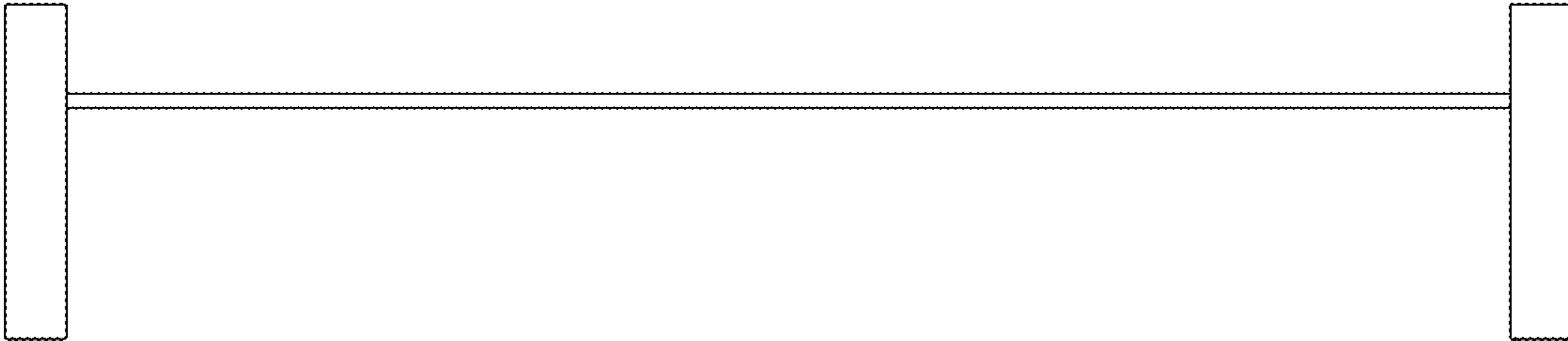


FIG. 4

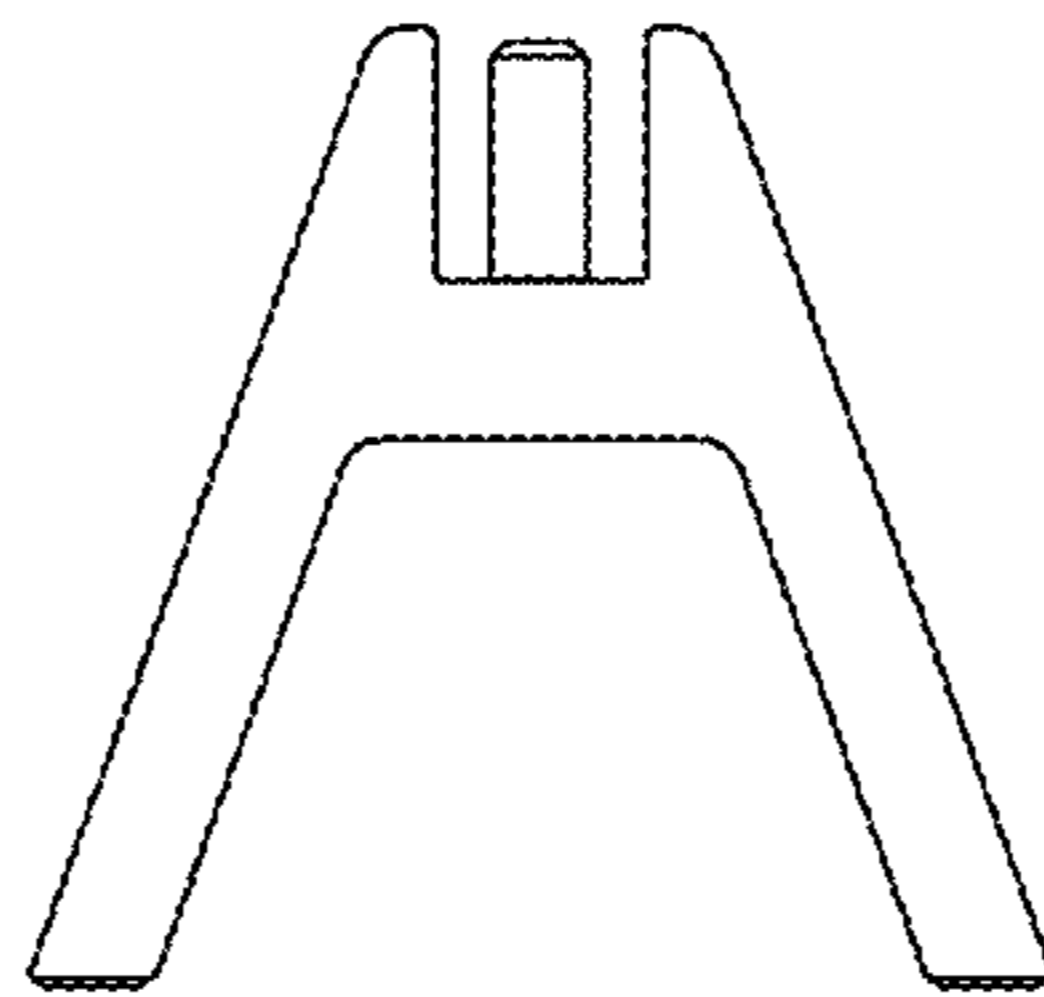


FIG. 5

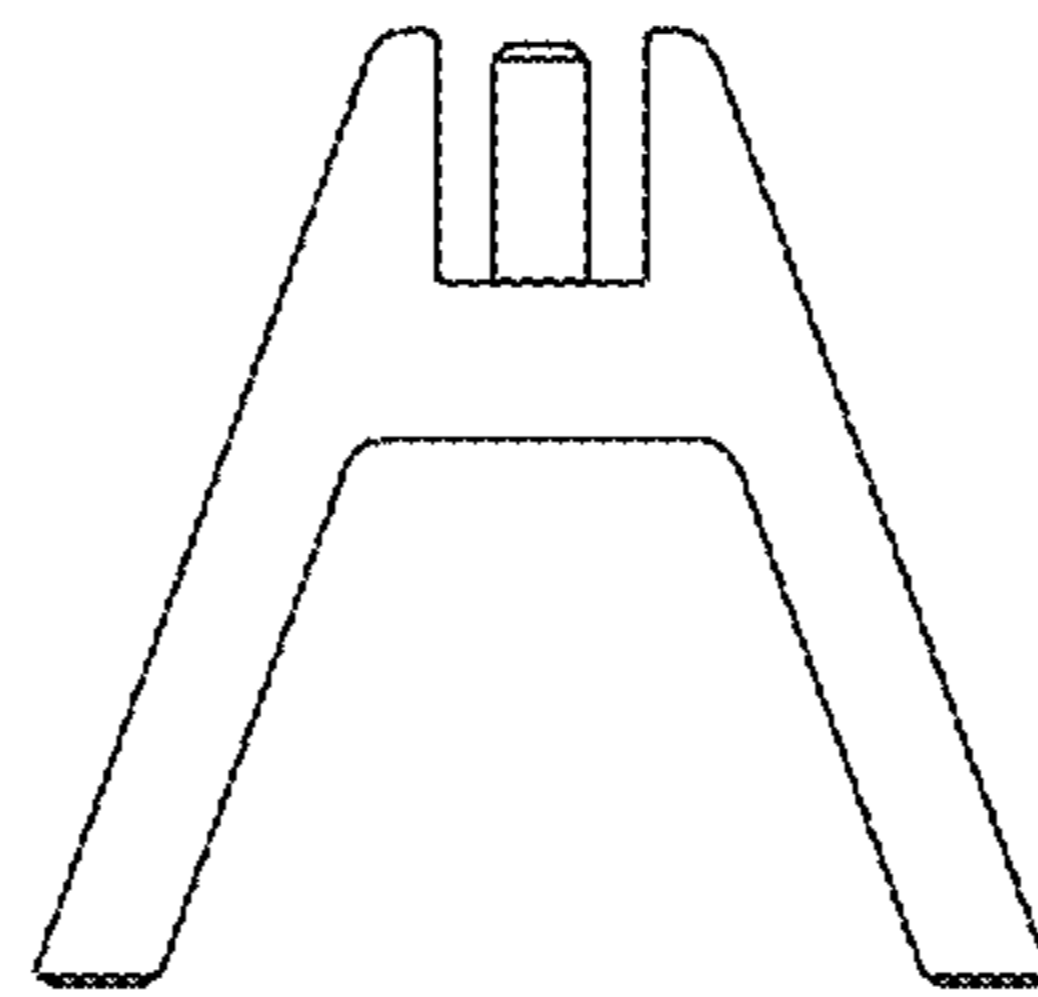


FIG. 6

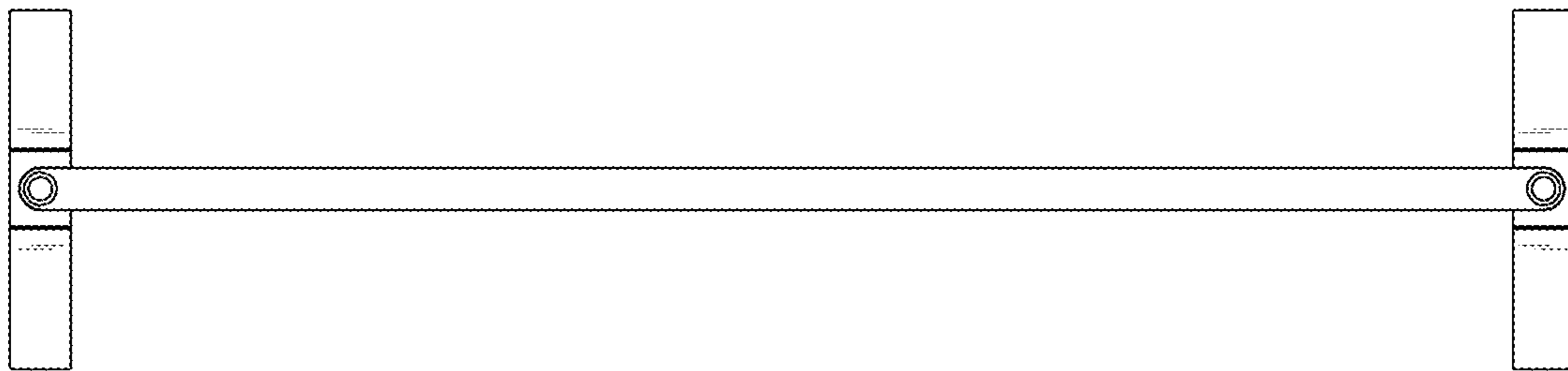


FIG. 7

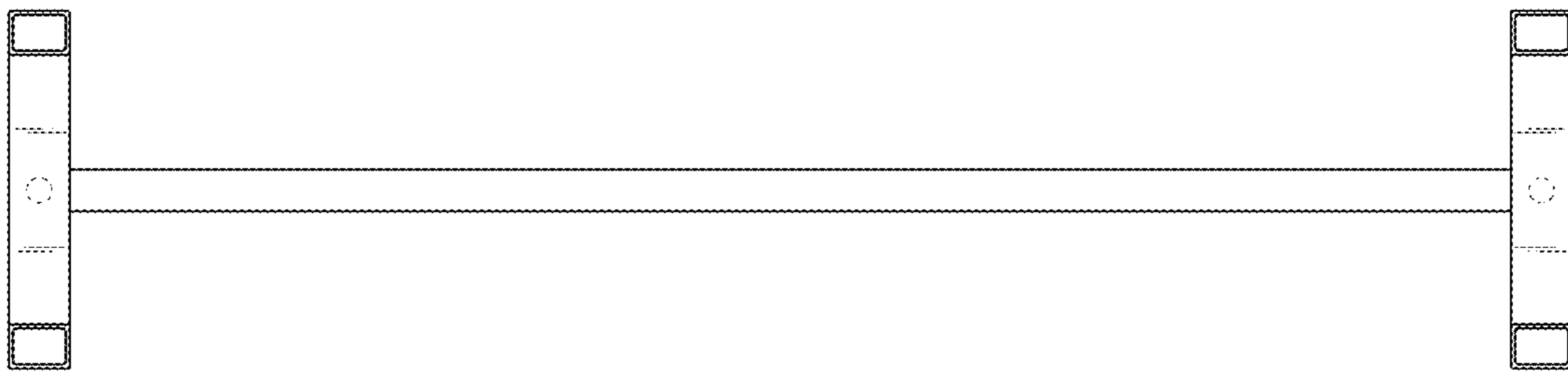


FIG. 8

