



US00D980195S

(12) **United States Design Patent**
Tan

(10) **Patent No.:** **US D980,195 S**
(45) **Date of Patent:** **** Mar. 7, 2023**

(54) **EARBUDS**

(71) Applicant: **Shenzhen Xinjike Innovation Technology Co., Ltd.**, Shenzhen (CN)

(72) Inventor: **Xiang Tan**, Shenzhen (CN)

(**) Term: **15 Years**

(21) Appl. No.: **29/847,561**

(22) Filed: **Jul. 26, 2022**

(51) **LOC (14) Cl.** **14-01**

(52) **U.S. Cl.**

USPC **D14/223**

(58) **Field of Classification Search**

USPC D14/223, 205, 206, 372, 217, 225;
D24/174, 106; 128/864, 865; 379/430;
381/374, 380, 151, 311, 384
CPC H04R 1/10; H04R 1/1016; H04R 1/1066;
H04R 1/1083; H04R 1/105; H04R
1/1091; H04R 25/00; H04R 25/02; H04R
5/0335; H04R 5/033

See application file for complete search history.

(56) **References Cited**

U.S. PATENT DOCUMENTS

D585,429 S *	1/2009	Dean	D14/223
8,472,660 B2 *	6/2013	Wengreen	H04R 1/026 381/381
D718,283 S *	11/2014	Thompson	D14/223
D852,784 S *	7/2019	Cramer	H04R 1/105 D14/223
D853,358 S *	7/2019	Damboulev	D14/223
D890,726 S *	7/2020	Park	D14/223
D915,357 S *	4/2021	Gao	D14/223
D918,180 S *	5/2021	Bailey	D14/223
D920,289 S *	5/2021	Schaal	D14/223
D945,403 S *	3/2022	MacDonald	D14/223

(Continued)

FOREIGN PATENT DOCUMENTS

EM 006618724-0001 * 7/2019

OTHER PUBLICATIONS

[Bluetooth Headphones 4-Mics Clear Call 100Hrs Playtime], available in Amazon.com, date first available May 19, 2022 [online], [site visited Oct. 12, 2022], Available from the internet URL: https://www.amazon.com/dp/B09VDHXD8V/ref=sspa_dk_detail_4 (Year: 2022).*

(Continued)

Primary Examiner — Khawaja Anwar

Assistant Examiner — Megan Tiana Rakos

(74) *Attorney, Agent, or Firm* — Daniel M. Cohn;
Howard M. Cohn

(57) **CLAIM**

The ornamental design for earbuds, as shown and described.

DESCRIPTION

FIG. 1 is a perspective view of earbuds showing my new design;

FIG. 2 is another perspective view thereof;

FIG. 3 is a front elevational view thereof;

FIG. 4 is a rear elevational view thereof;

FIG. 5 is a left side elevational view thereof;

FIG. 6 is a right side elevational view thereof;

FIG. 7 is a top plan view thereof;

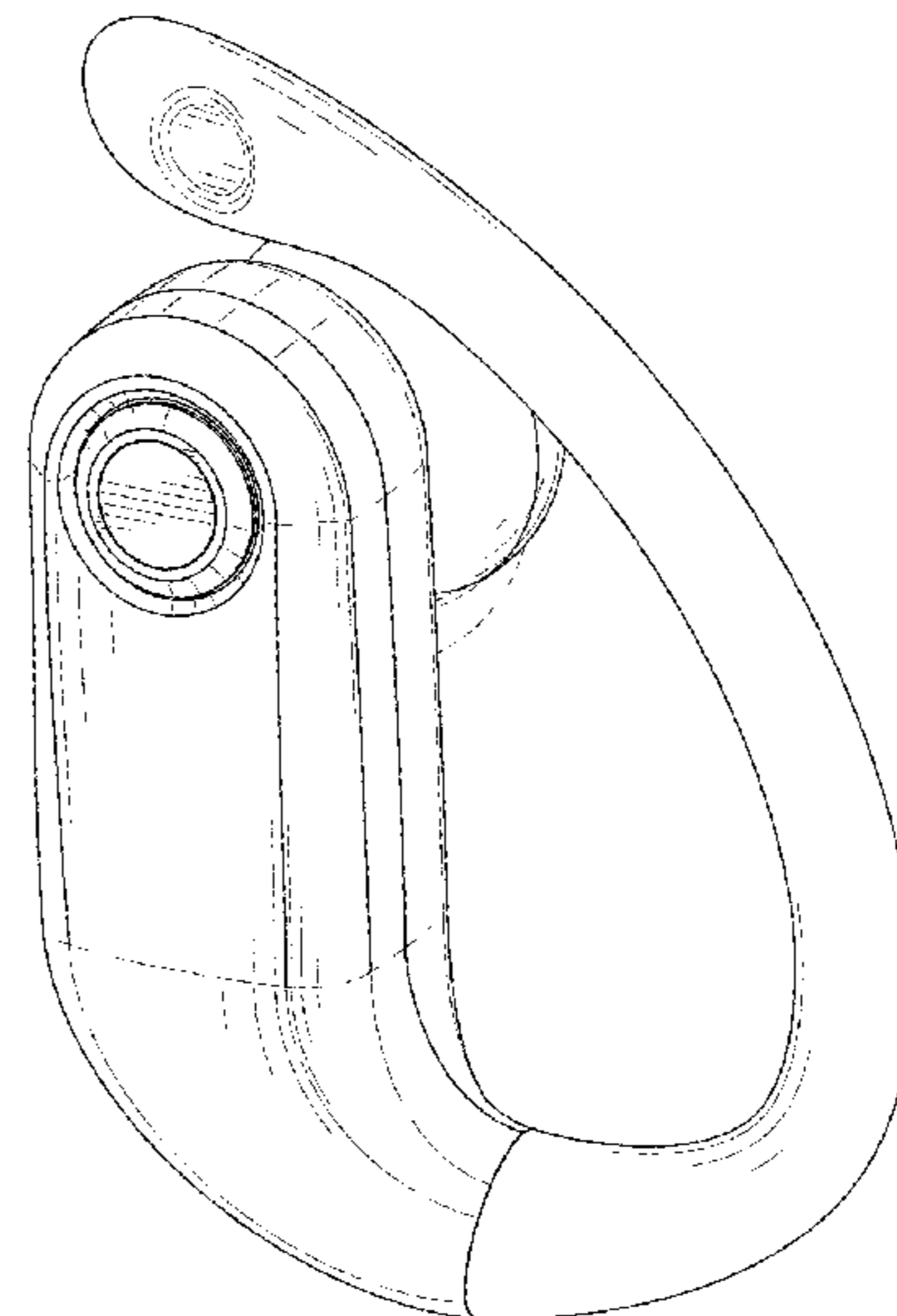
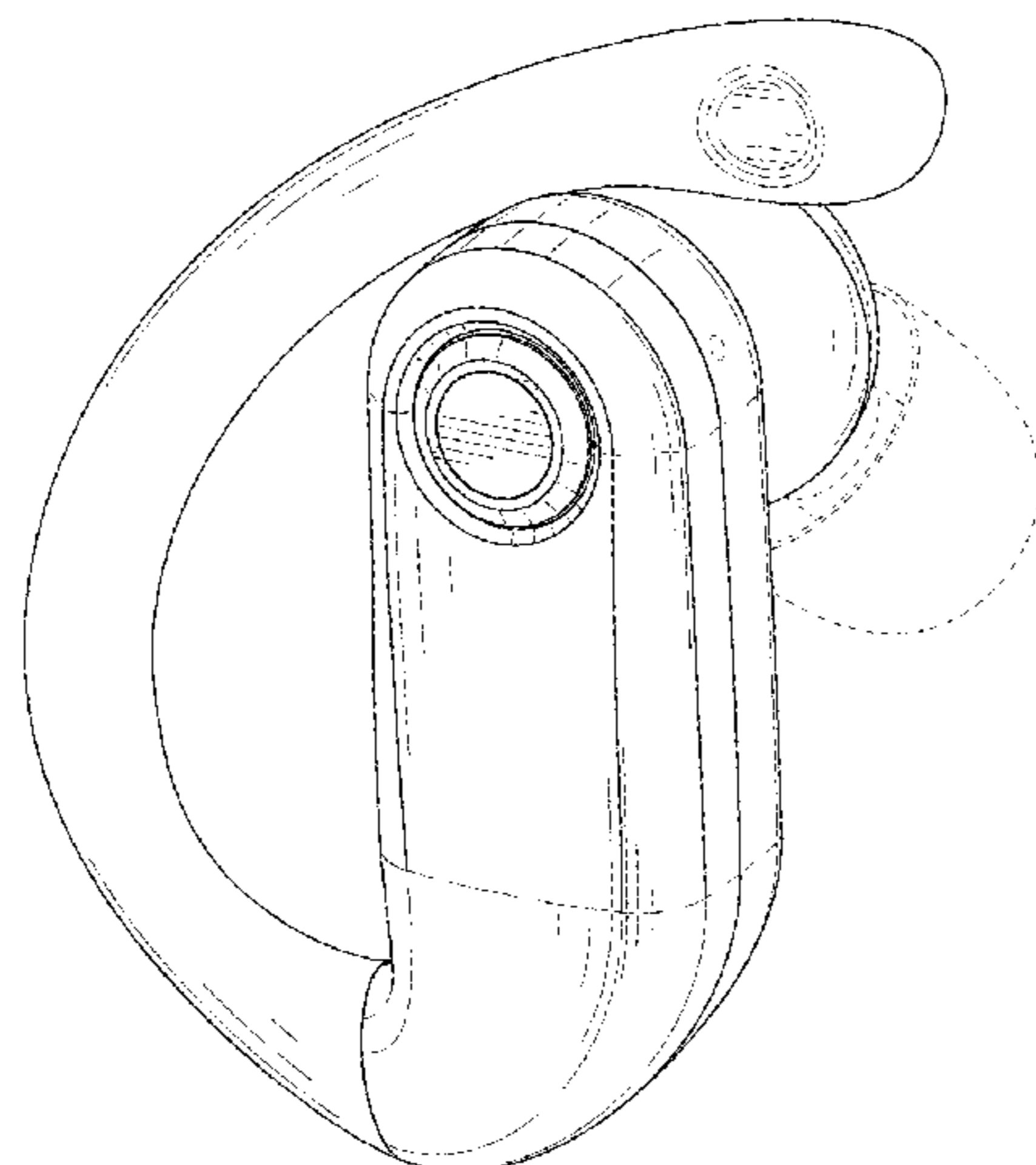
FIG. 8 is a bottom plan view thereof;

FIG. 9 is a perspective view of the earbuds with charging case where the earbuds are received in the charging case; and,

FIG. 10 is a perspective view of the earbuds with charging case where the earbuds are received in another charging case.

The dash-dash broken lines in the drawings depict portions of the earbuds that form no part of the claimed design.

1 Claim, 10 Drawing Sheets



(56)

References Cited

U.S. PATENT DOCUMENTS

2008/0298626 A1* 12/2008 Dean H04R 1/1058
381/381
2011/0170731 A1* 7/2011 Beckhart H04R 5/0335
381/381
2017/0359644 A1* 12/2017 Cramer H04R 1/1008

OTHER PUBLICATIONS

[Wireless Earbuds Bluetooth Headphones], available in Amazon.com, date first available Dec. 20, 2021 [online], [site visited Oct. 17, 2022], Available from the internet URL: <https://a.co/d/97cYjqk> (Year: 2022).*

* cited by examiner

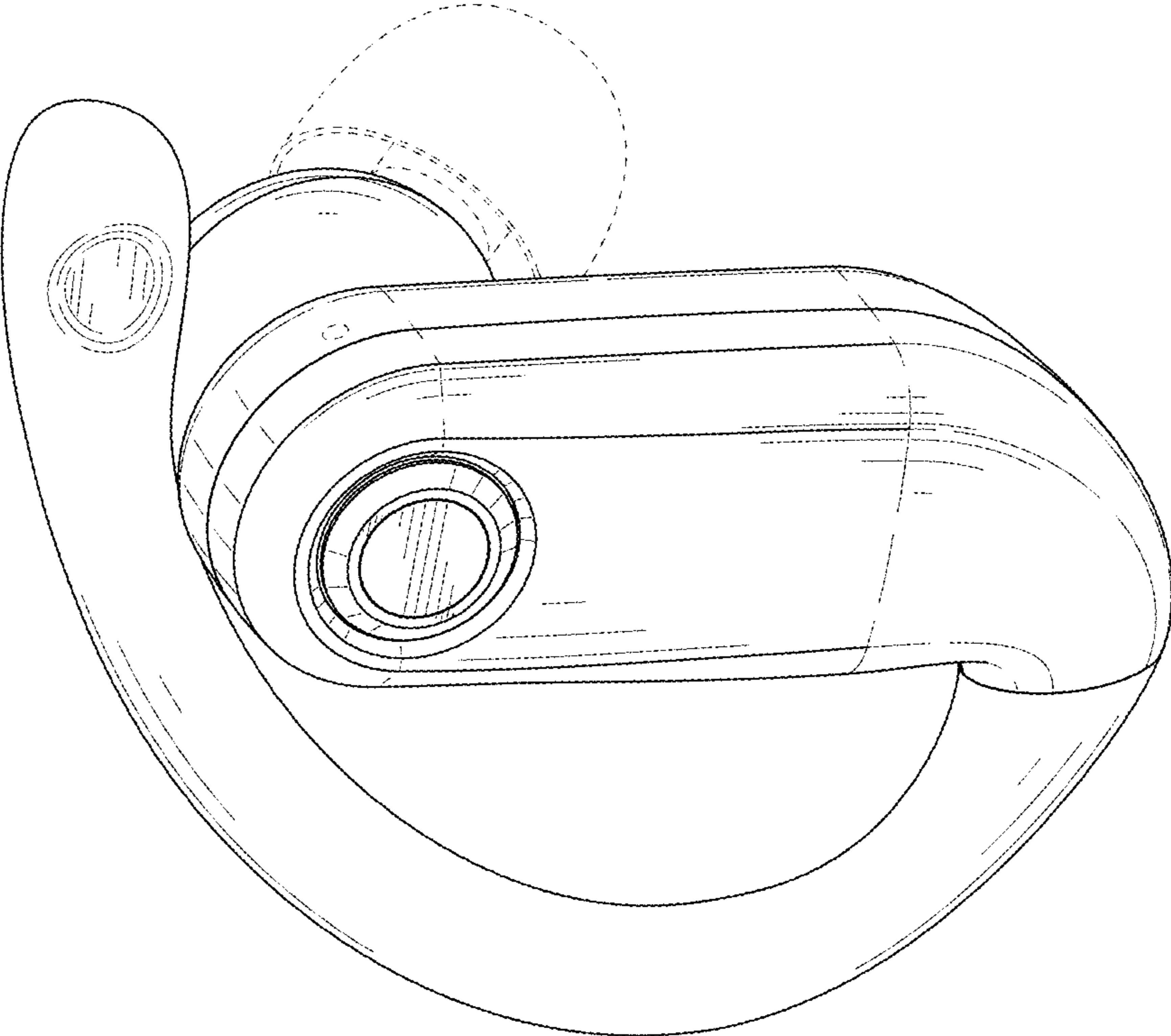
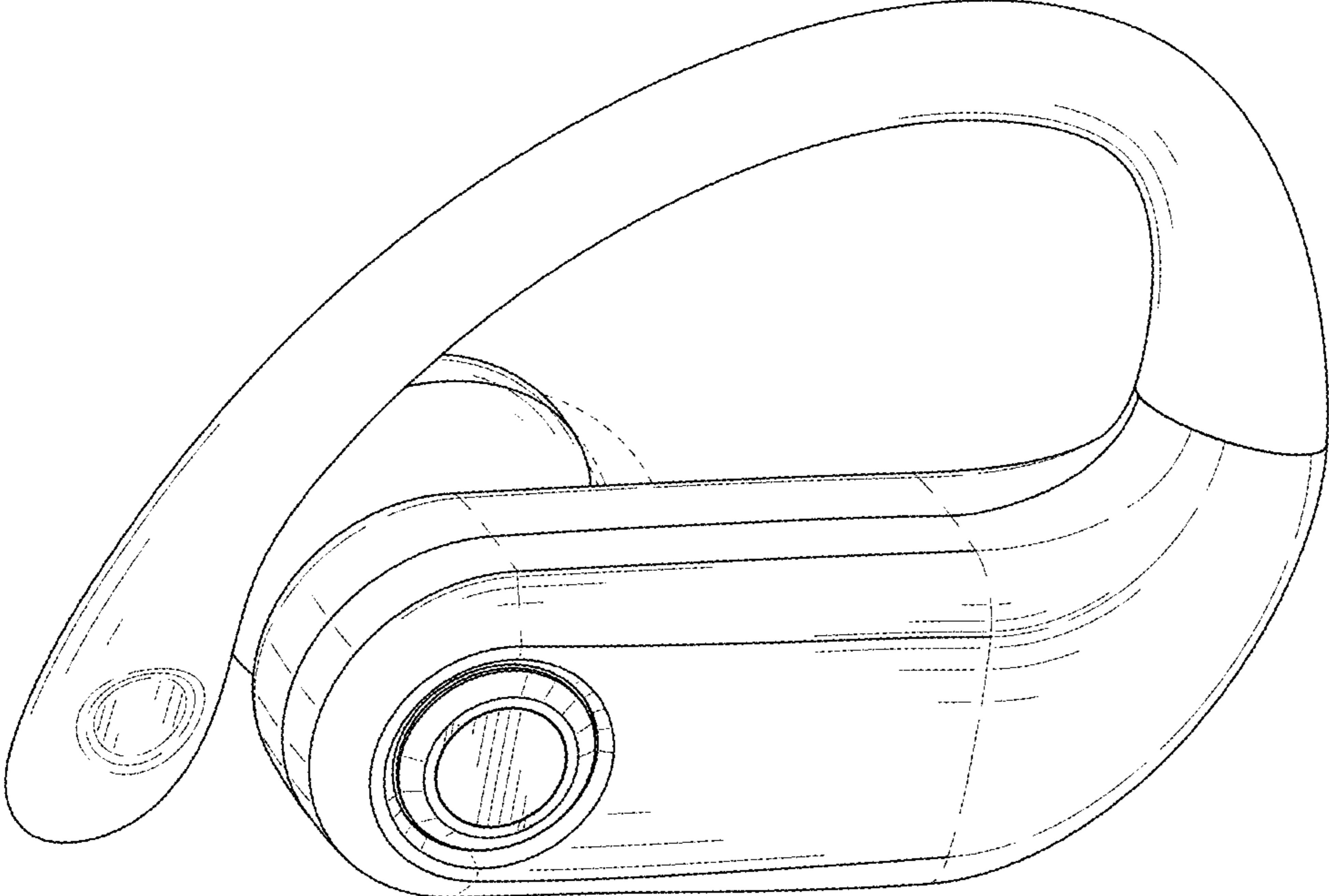


FIG. 1

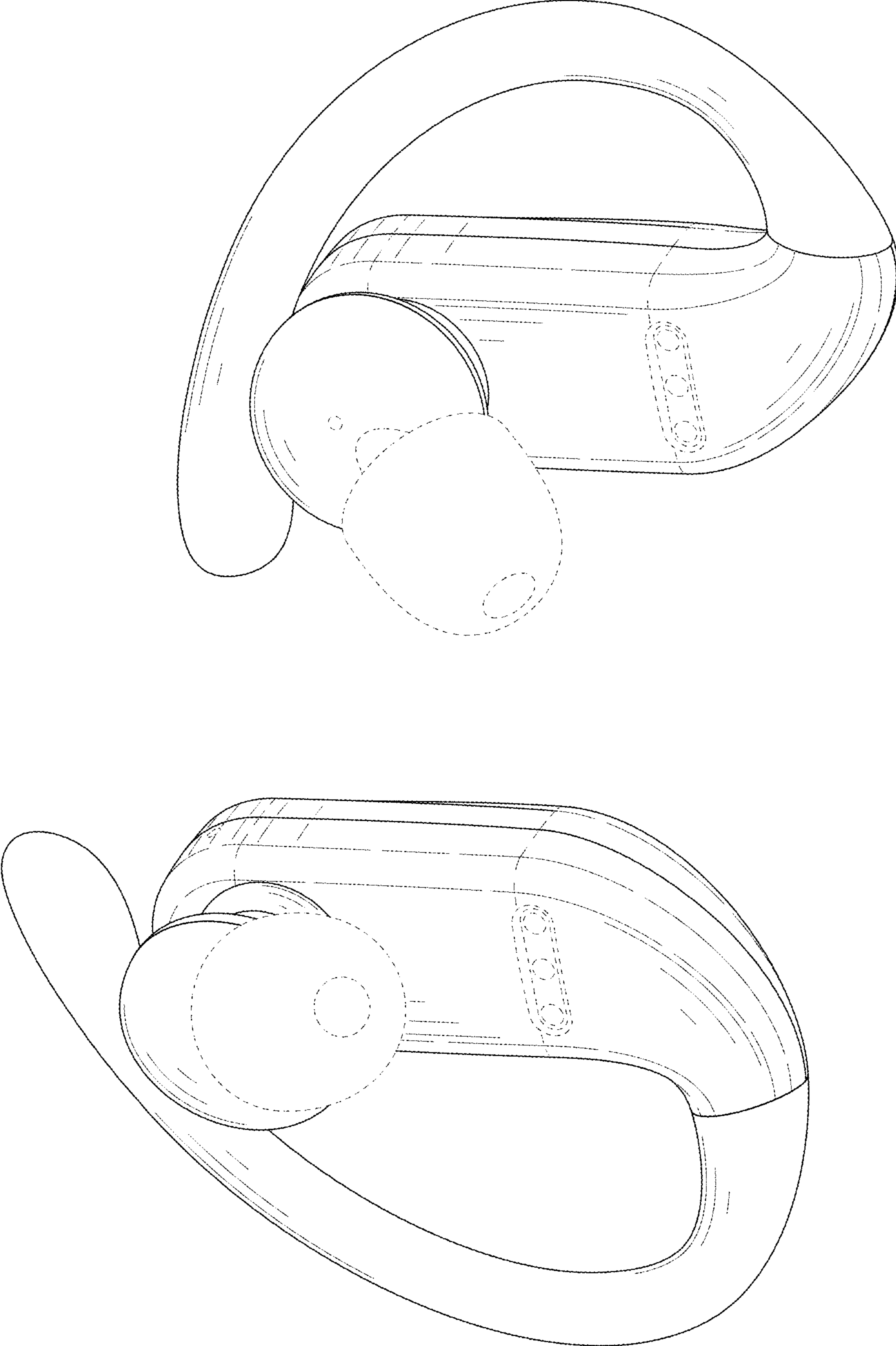


FIG. 2

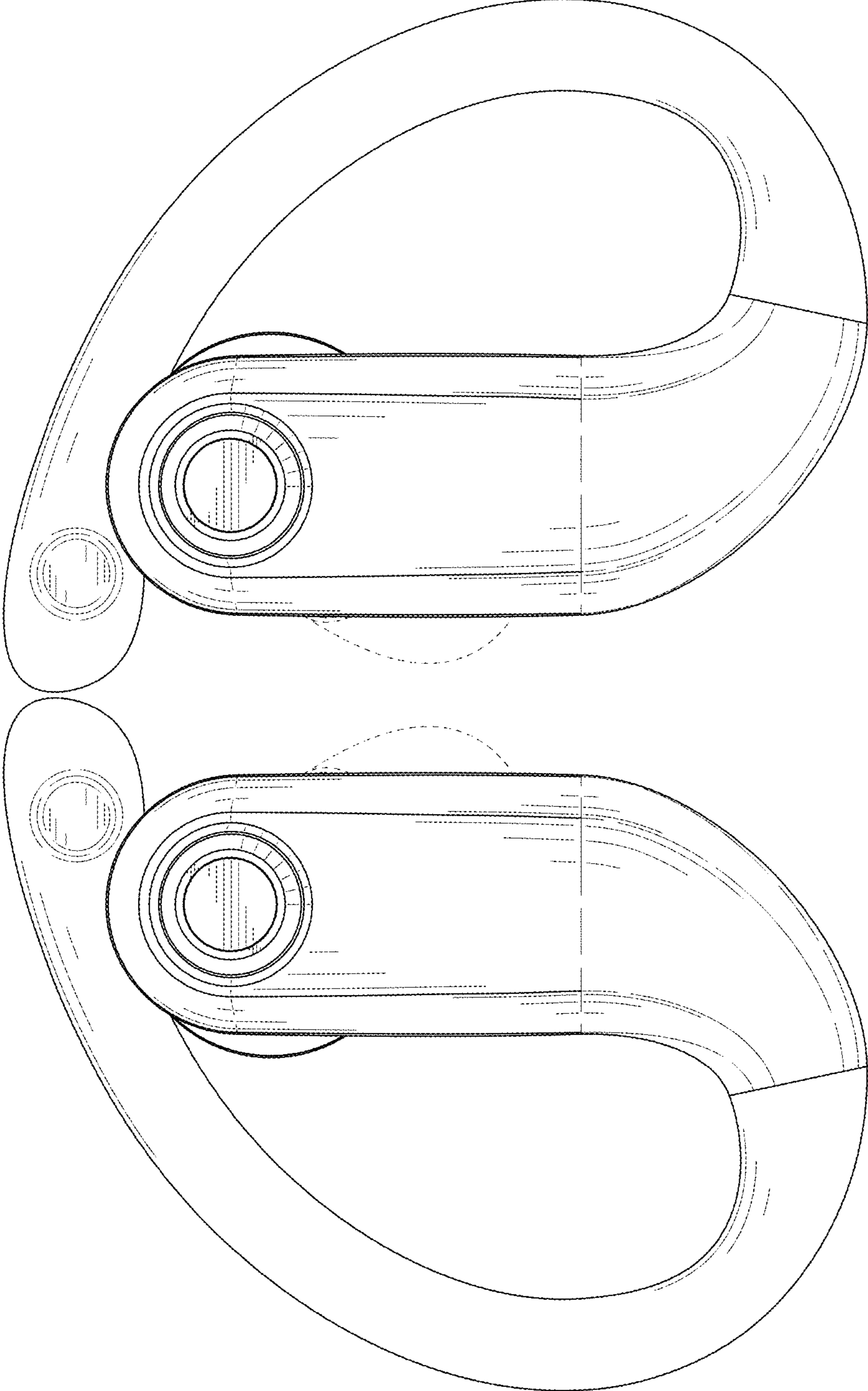


FIG. 3

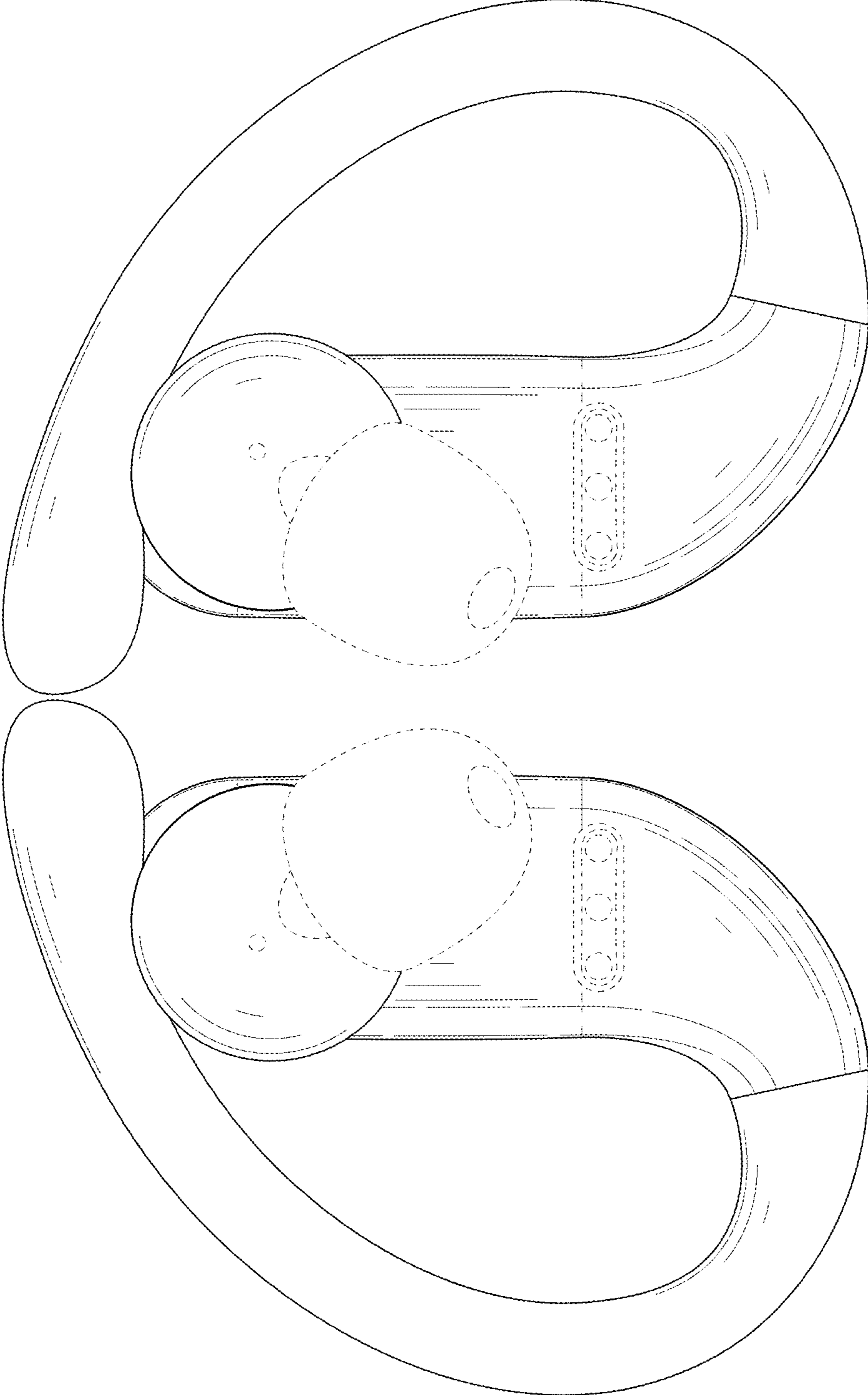


FIG. 4

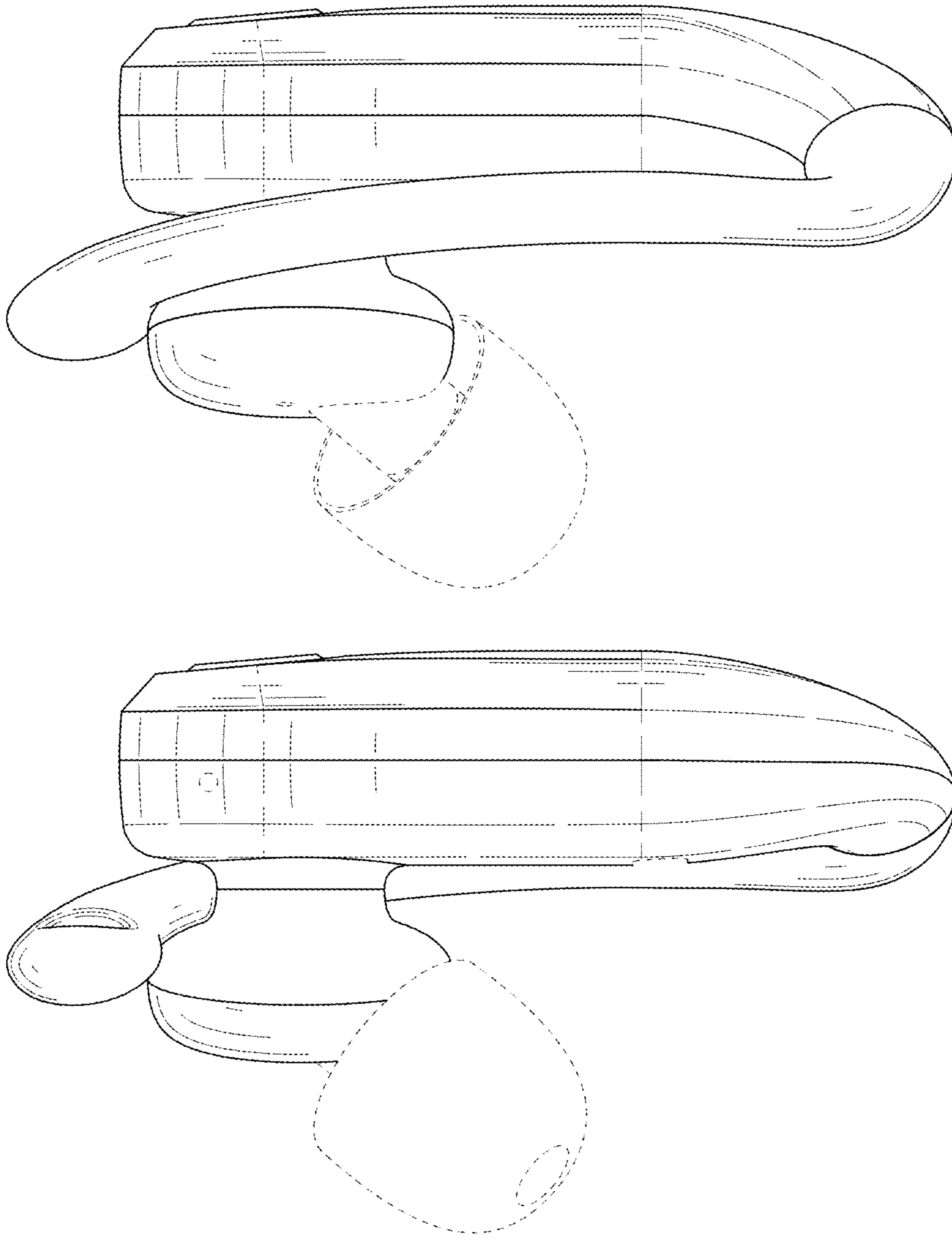


FIG. 5

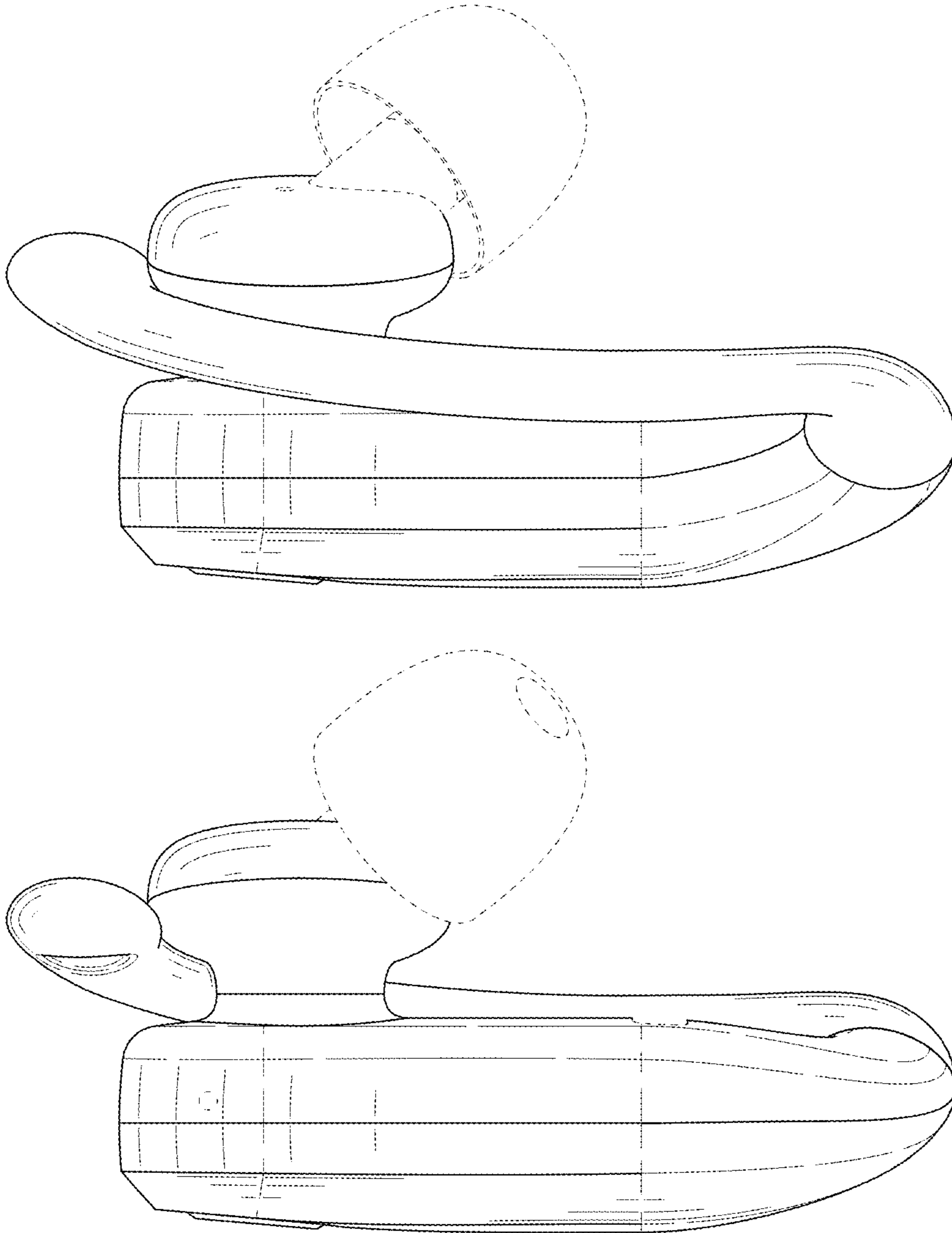


FIG. 6

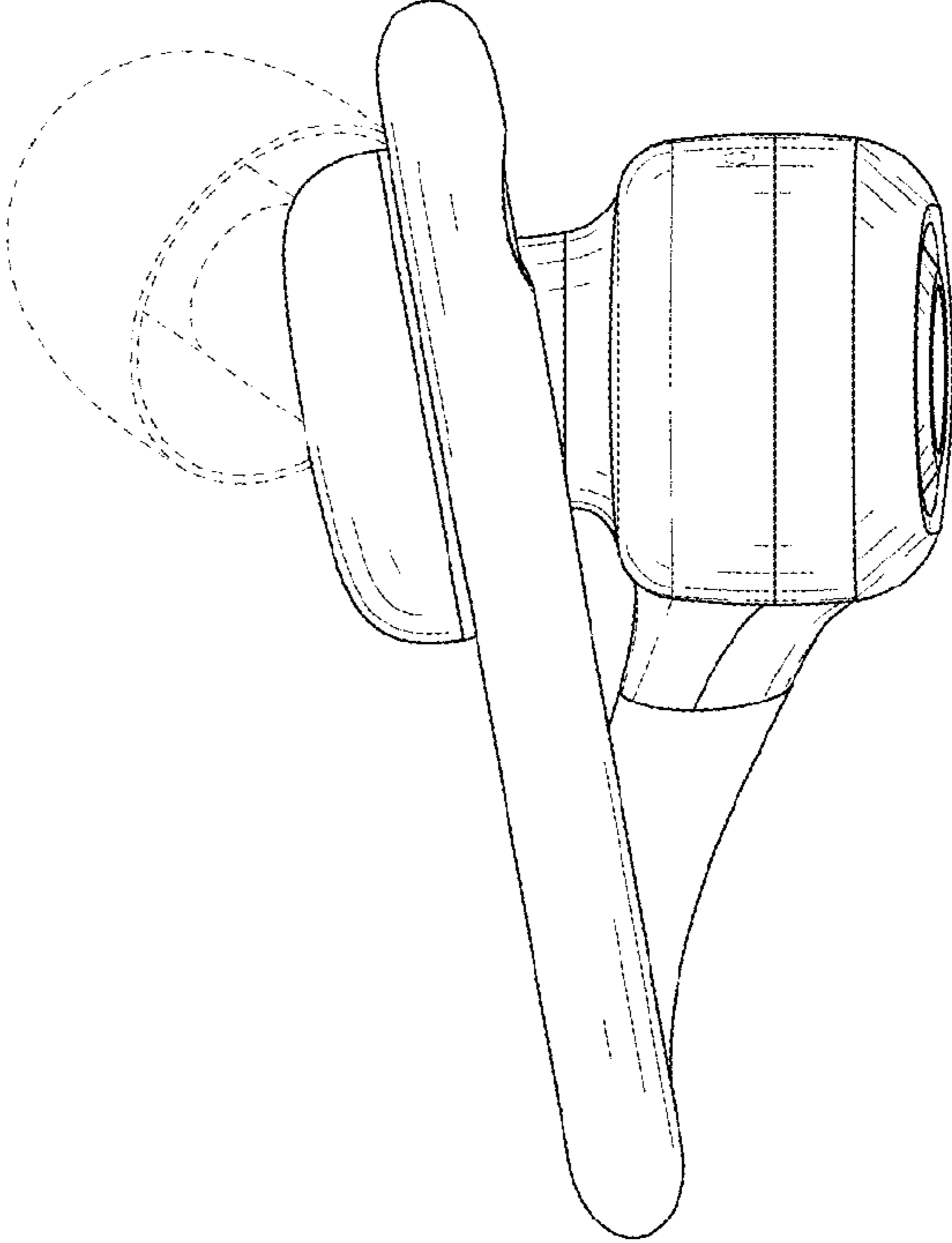
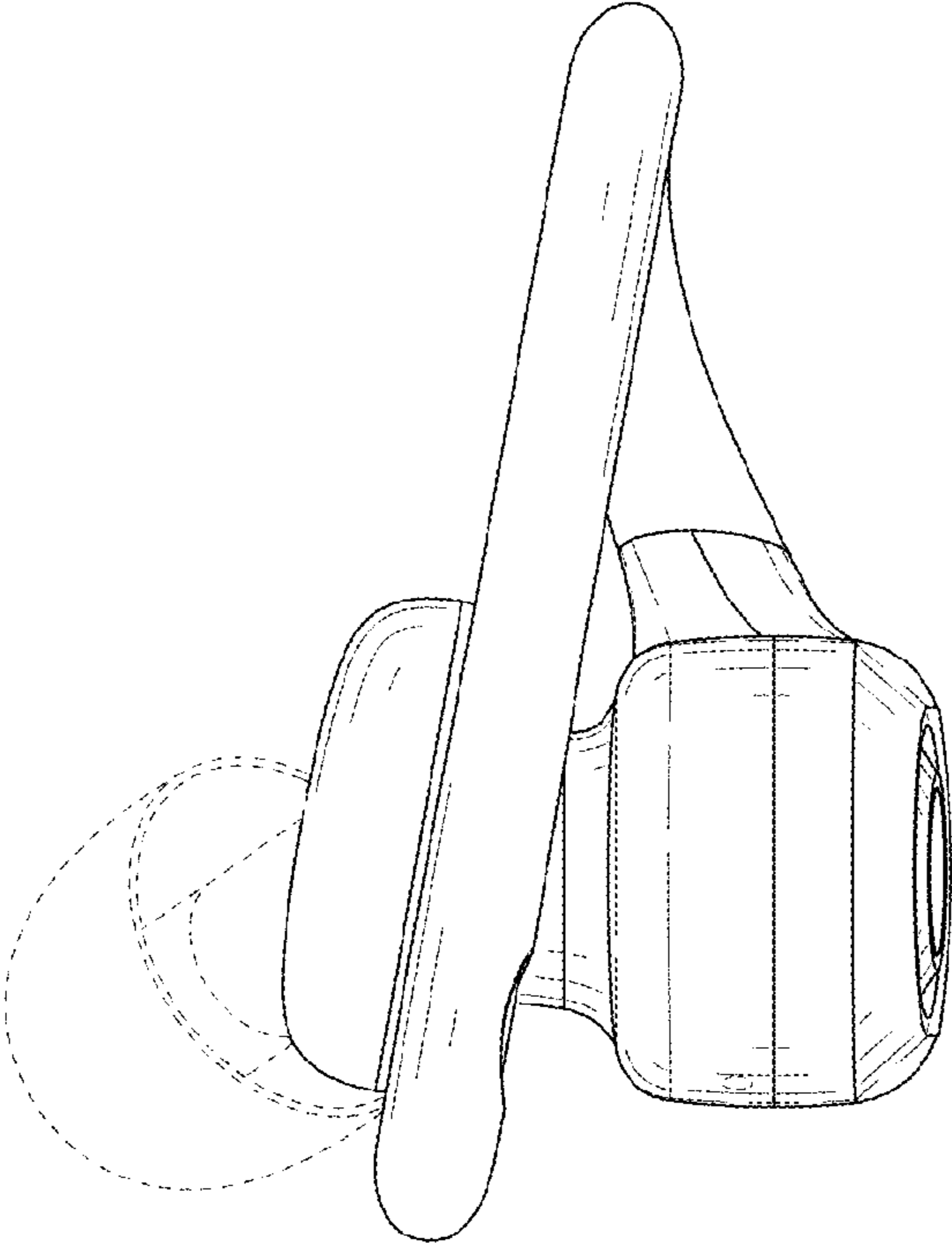


FIG. 7

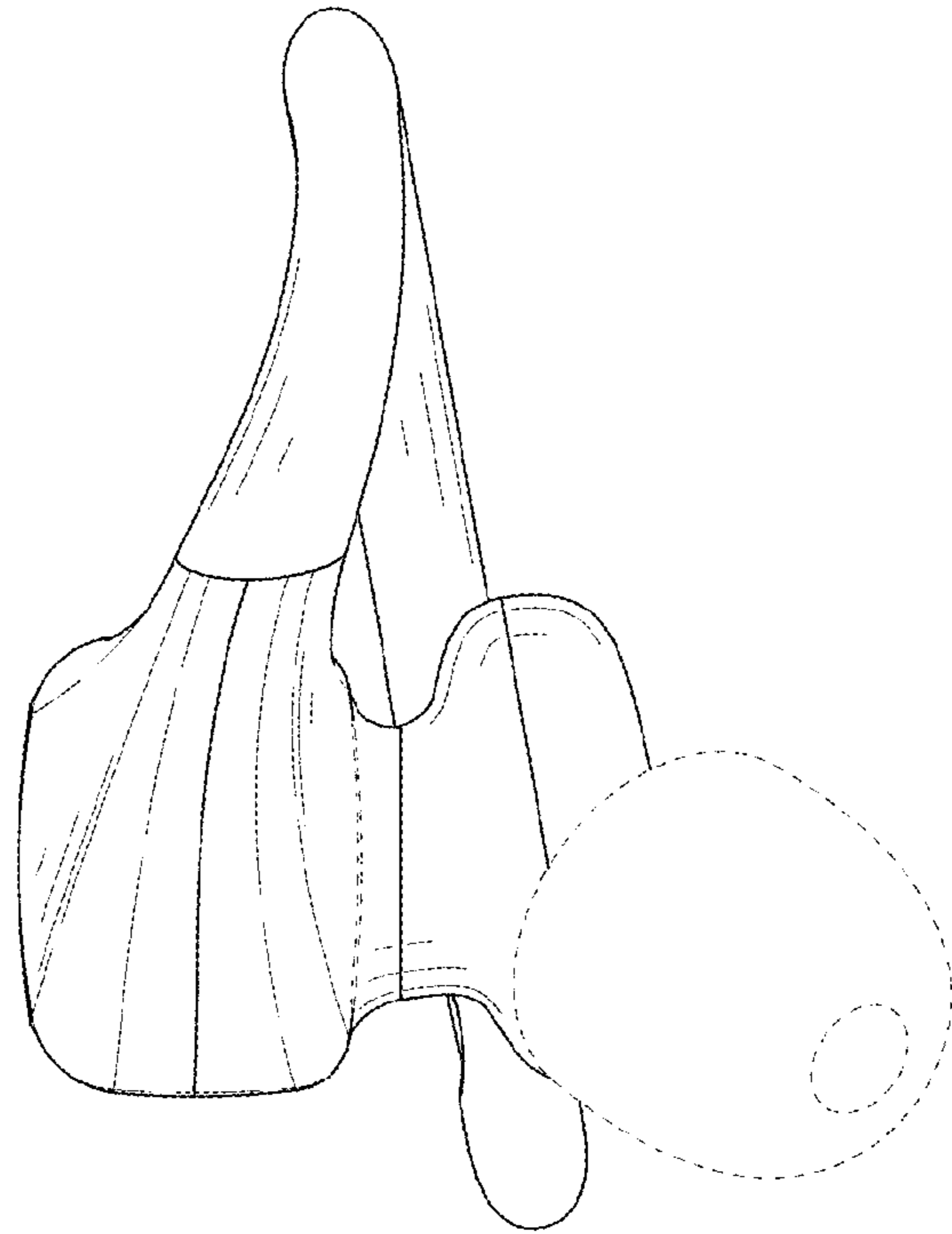
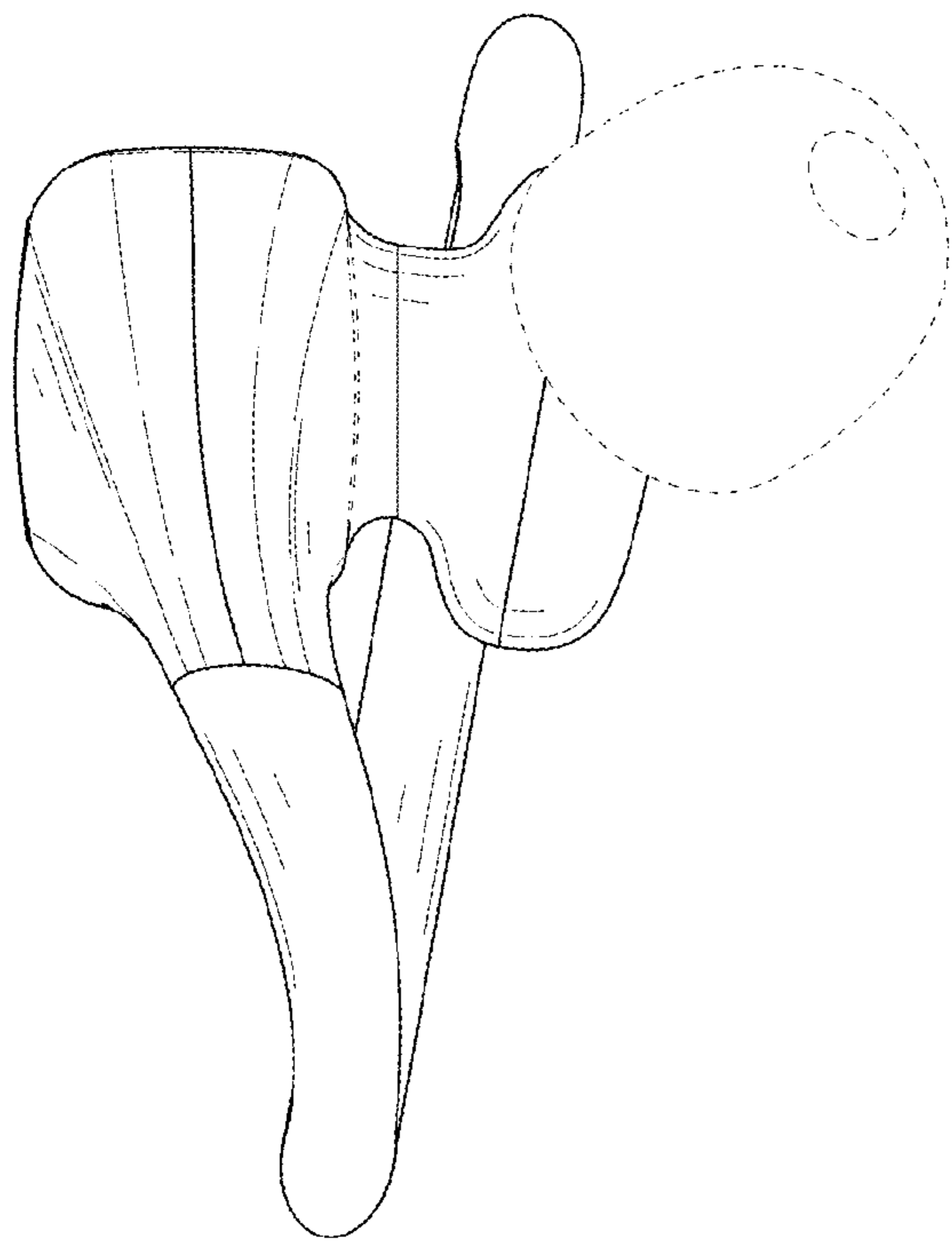


FIG. 8

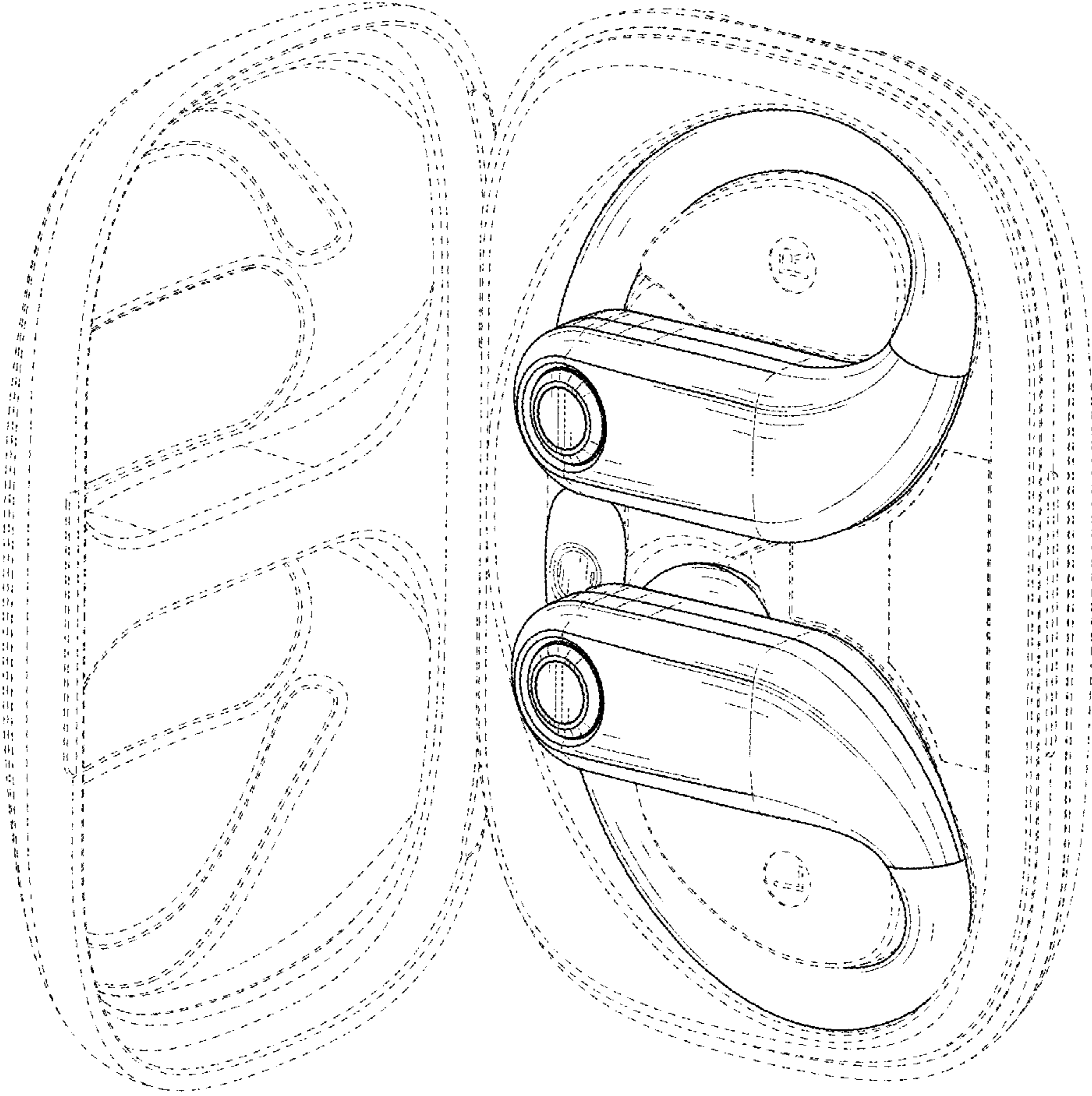


FIG. 9

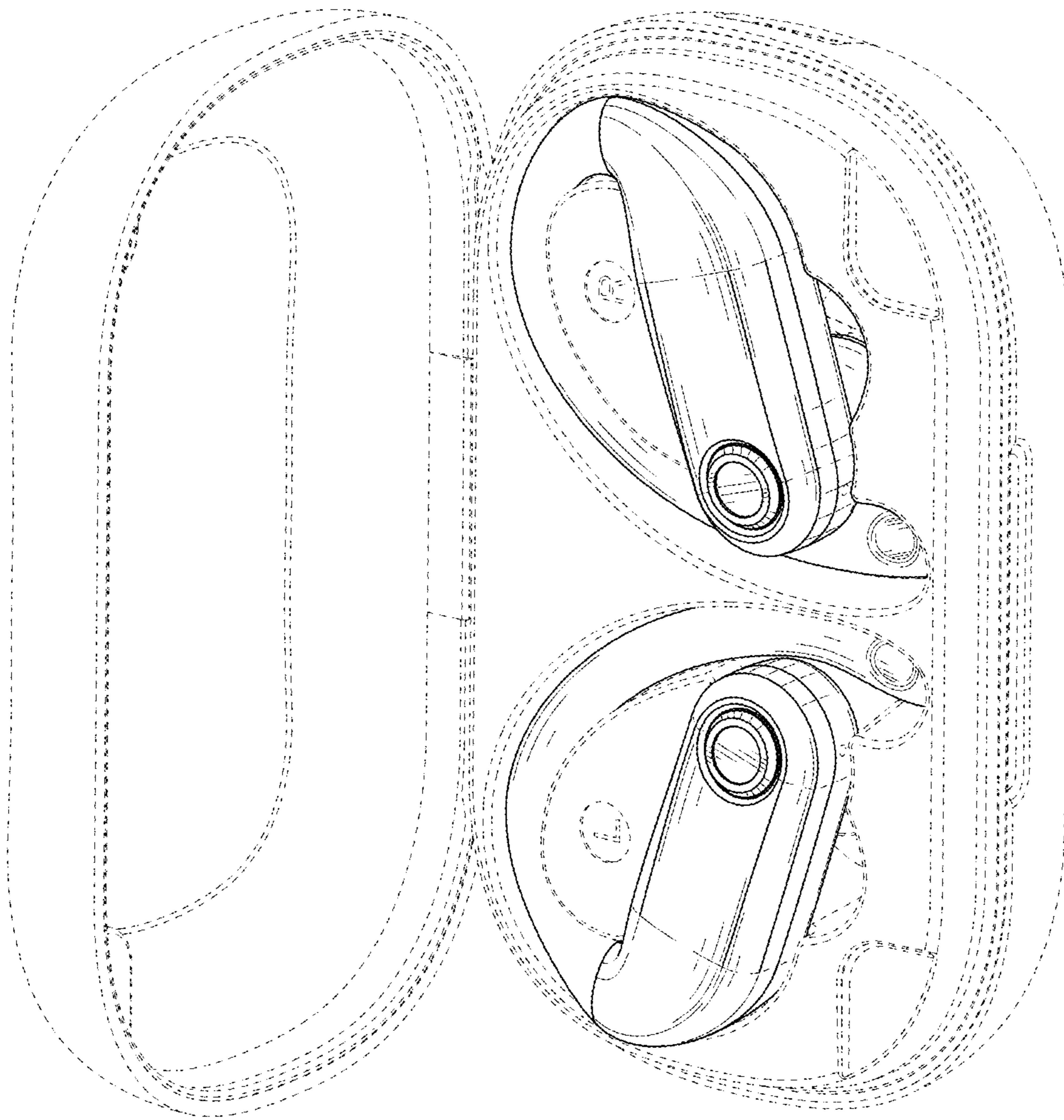


FIG. 10