



US00D980194S

(12) **United States Design Patent**  
**Lee**

(10) **Patent No.:** **US D980,194 S**  
(45) **Date of Patent:** **\*\* Mar. 7, 2023**

(54) **EARPHONE**  
(71) Applicant: **Justin Lee**, McLean, VA (US)  
(72) Inventor: **Justin Lee**, McLean, VA (US)  
(\*\*) Term: **15 Years**  
(21) Appl. No.: **29/778,618**  
(22) Filed: **Apr. 14, 2021**  
(51) **LOC (14) Cl.** ..... **14-01**  
(52) **U.S. Cl.**  
USPC ..... **D14/223**  
(58) **Field of Classification Search**  
USPC ..... D14/223, 205; D24/174, 106;  
128/864-866; 381/380-381, 322, 328  
CPC ..... H04R 1/10; H04R 25/00; H04R 1/1066;  
H04R 1/1016; H04R 5/033; H04R  
5/0335; H04R 1/105; H04R 1/1083;  
H04R 1/1091  
See application file for complete search history.

D801,312 S \* 10/2017 Birger ..... H04R 1/1066  
D14/223  
D801,314 S \* 10/2017 Akana ..... D14/223  
D803,184 S \* 11/2017 Loh Jun Kern ..... D14/223  
D820,809 S \* 6/2018 Akana ..... D14/219  
D821,362 S \* 6/2018 Vaclavik ..... D14/223  
D822,009 S \* 7/2018 Matoba ..... D14/223  
D830,336 S \* 10/2018 Cai ..... D14/205  
D832,824 S \* 11/2018 Kim ..... D14/223  
D847,125 S \* 4/2019 Akana ..... D14/206  
D847,794 S \* 5/2019 Guo ..... D14/223  
D848,982 S \* 5/2019 Kim ..... D14/223  
D861,647 S \* 10/2019 Chen ..... D14/223  
D864,169 S \* 10/2019 Min ..... D14/223  
D869,445 S \* 12/2019 Hu ..... D14/223  
D878,337 S \* 3/2020 Yang ..... D14/223  
D885,373 S \* 5/2020 Lundbäck ..... D14/223  
D888,690 S \* 6/2020 Yan ..... D14/223

(Continued)

**FOREIGN PATENT DOCUMENTS**

CN 306441676 \* 4/2021  
CN 306441697 \* 4/2021

(Continued)

*Primary Examiner* — Paula Allen Greene

(56) **References Cited**  
**U.S. PATENT DOCUMENTS**

D515,070 S \* 2/2006 Andre ..... D14/205  
D591,721 S \* 5/2009 Densho ..... D14/205  
D627,766 S \* 11/2010 Arimoto ..... D14/223  
D633,086 S \* 2/2011 Chen ..... D14/223  
D662,493 S \* 6/2012 Chen ..... D14/223  
D664,523 S \* 7/2012 Naitou ..... D14/223  
D681,015 S \* 4/2013 Akana ..... H04R 1/10  
D14/223  
D698,023 S \* 1/2014 Iseberg ..... D24/174  
D721,678 S \* 1/2015 Thomas ..... D14/223  
D738,864 S \* 9/2015 Lee ..... D14/223  
D741,287 S \* 10/2015 Harata ..... D14/223  
D757,682 S \* 5/2016 Perez ..... D14/205  
D757,925 S \* 5/2016 Hamer ..... D24/106  
D770,412 S \* 11/2016 Son ..... D14/223  
D798,844 S \* 10/2017 Nokuo ..... D14/223

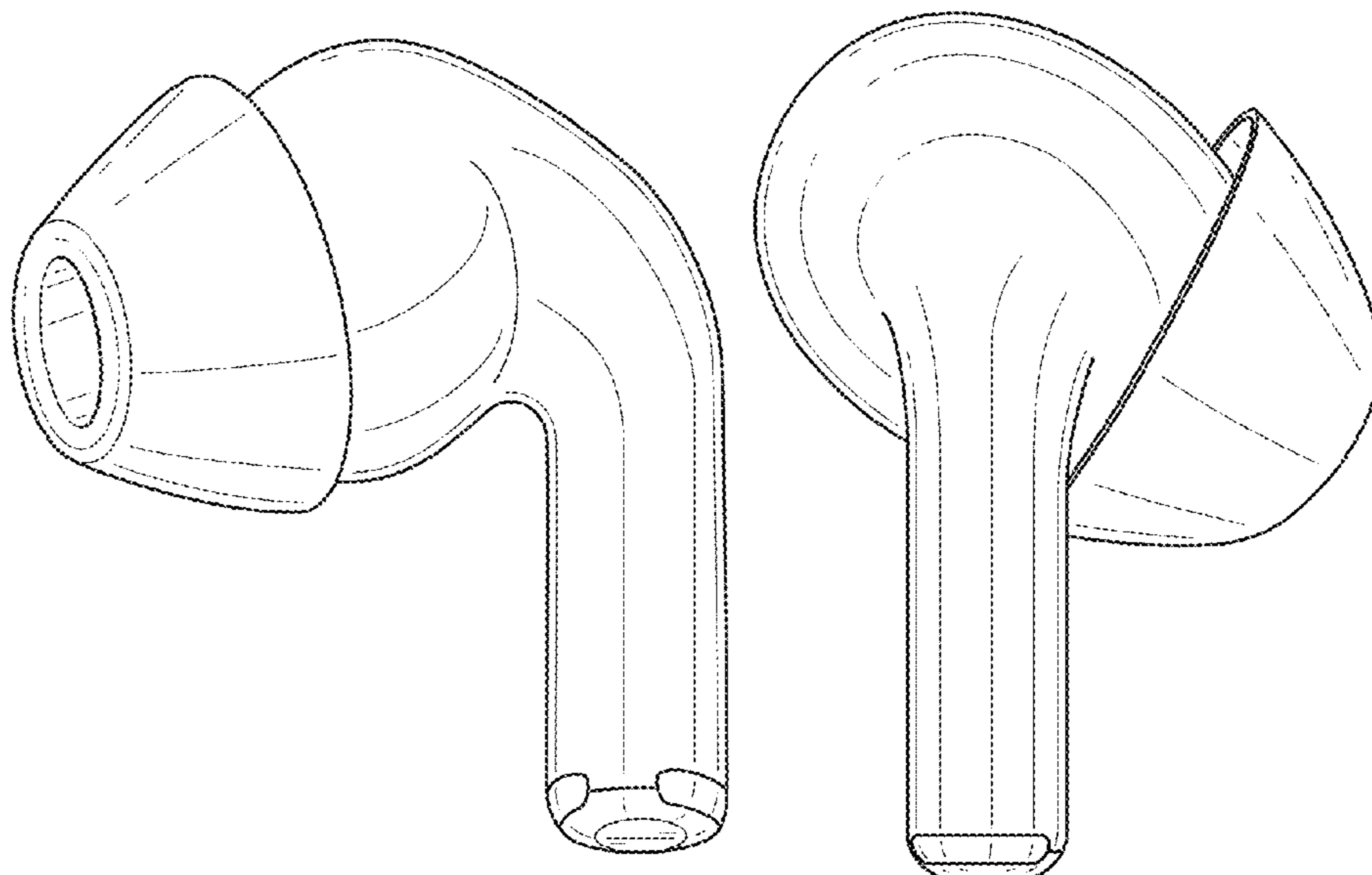
(57) **CLAIM**

I claim the ornamental design for an earphone, as shown and described.

**DESCRIPTION**

FIG. 1 is a front perspective view of an earphone showing my new design.  
FIG. 2 is a right side view thereof.  
FIG. 3 is a left side view thereof.  
FIG. 4 is a front view thereof.  
FIG. 5 is a rear view thereof.  
FIG. 6 is a top view thereof.  
FIG. 7 is a bottom view thereof; and,  
FIG. 8 is a cutaway view along the line of 8-8 of FIG. 7.

**1 Claim, 5 Drawing Sheets**



(56)

References Cited

U.S. PATENT DOCUMENTS

D890,724 S \* 7/2020 Li ..... D14/223  
 D893,462 S \* 8/2020 Liu ..... D14/223  
 D894,875 S \* 9/2020 Zhao ..... D14/223  
 D895,579 S \* 9/2020 Yang ..... D14/223  
 D895,582 S \* 9/2020 Wu ..... D14/223  
 D896,206 S \* 9/2020 Xu ..... D14/223  
 D905,018 S \* 12/2020 Zhu ..... D14/223  
 D906,297 S \* 12/2020 Akana ..... D14/223  
 D907,010 S \* 1/2021 Akana ..... D14/223  
 D909,347 S \* 2/2021 Akana ..... D14/223  
 D910,600 S \* 2/2021 Zhang ..... D14/223  
 D916,683 S \* 4/2021 Yao ..... D14/223  
 D918,179 S \* 5/2021 Zhao ..... D14/223  
 D918,182 S \* 5/2021 Chen ..... D14/223  
 D921,615 S \* 6/2021 Wu ..... D14/223  
 D924,209 S \* 7/2021 Wu ..... D14/223  
 D925,500 S \* 7/2021 Chen ..... D14/223  
 D928,126 S \* 8/2021 Chen ..... D14/223  
 D931,838 S \* 9/2021 Deng ..... D14/223  
 D934,202 S \* 10/2021 Liu ..... D14/223  
 D937,246 S \* 11/2021 Li ..... D14/223  
 D940,690 S \* 1/2022 Zhang ..... D14/223  
 D940,692 S \* 1/2022 Quan ..... D14/223  
 D942,424 S \* 2/2022 Ye ..... D14/223

D943,554 S \* 2/2022 Zhang ..... D14/223  
 D944,232 S \* 2/2022 Yi ..... D14/223  
 D948,482 S \* 4/2022 Liu ..... D14/223  
 2012/0237074 A1\* 9/2012 Aase ..... H04R 1/1058  
 29/858  
 2012/0275635 A1\* 11/2012 Chen ..... H04R 1/1075  
 381/380  
 2013/0004011 A1\* 1/2013 Hayashida ..... H04R 1/345  
 381/380  
 2013/0343595 A1\* 12/2013 Zorkendorfer ..... H04R 1/10  
 381/380  
 2015/0382100 A1\* 12/2015 Azmi ..... H04R 1/1016  
 381/380  
 2017/0164087 A1\* 6/2017 Kurtz ..... H04R 1/1016  
 2017/0195773 A1\* 7/2017 Morris ..... H04R 1/1016  
 2019/0373354 A1\* 12/2019 Sondergaard ..... H04R 1/1016  
 2020/0068283 A1\* 2/2020 Chou ..... H04R 1/1025  
 2020/0382856 A1\* 12/2020 Liu ..... H04R 1/2826

FOREIGN PATENT DOCUMENTS

EM 007718218-0001 \* 2/2020  
 EM 008255251-0001 \* 11/2020  
 EM 008442628-0001 \* 2/2021  
 EM 008464150-0001 \* 3/2021

\* cited by examiner

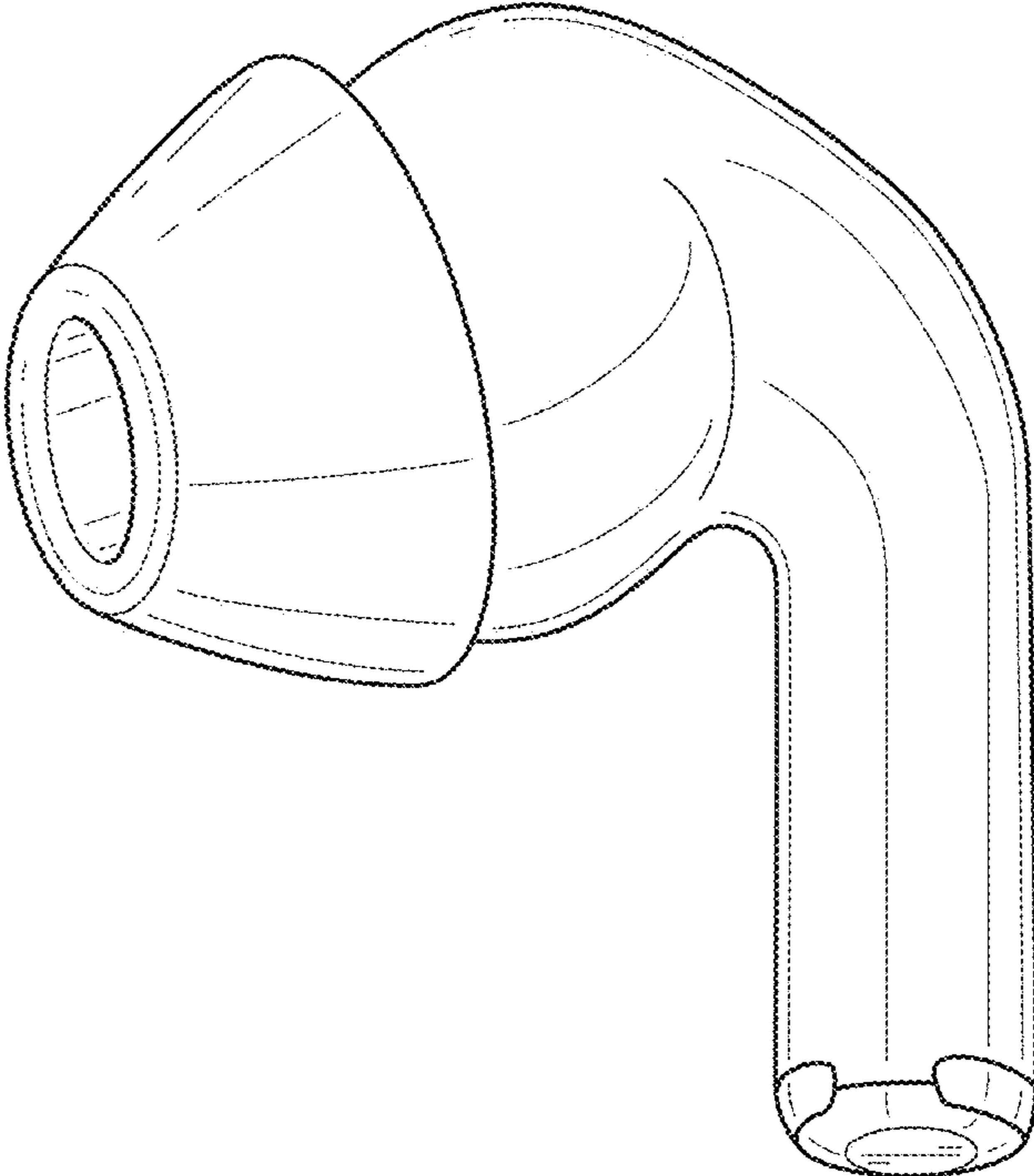


FIG. 1

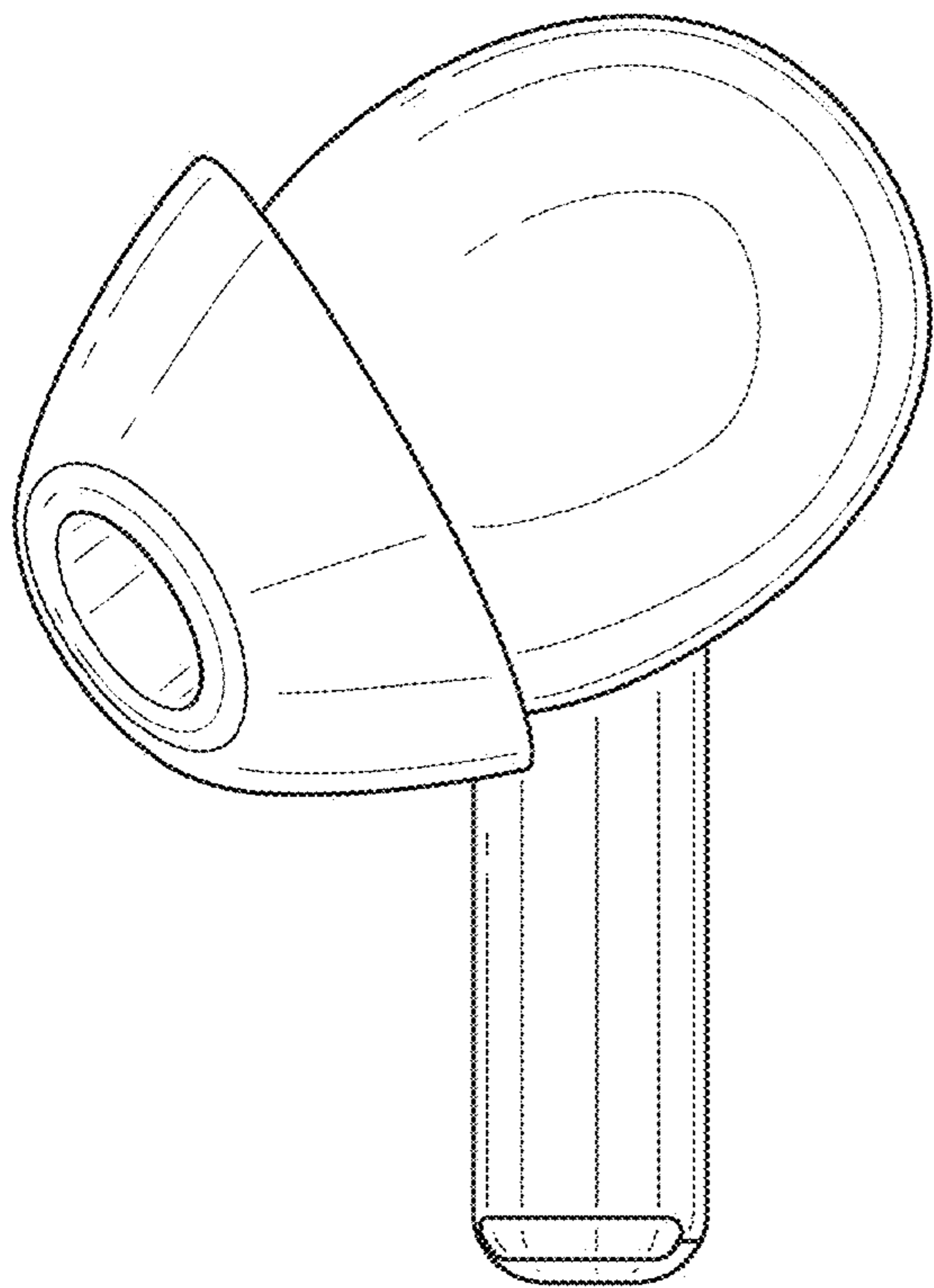


FIG. 2

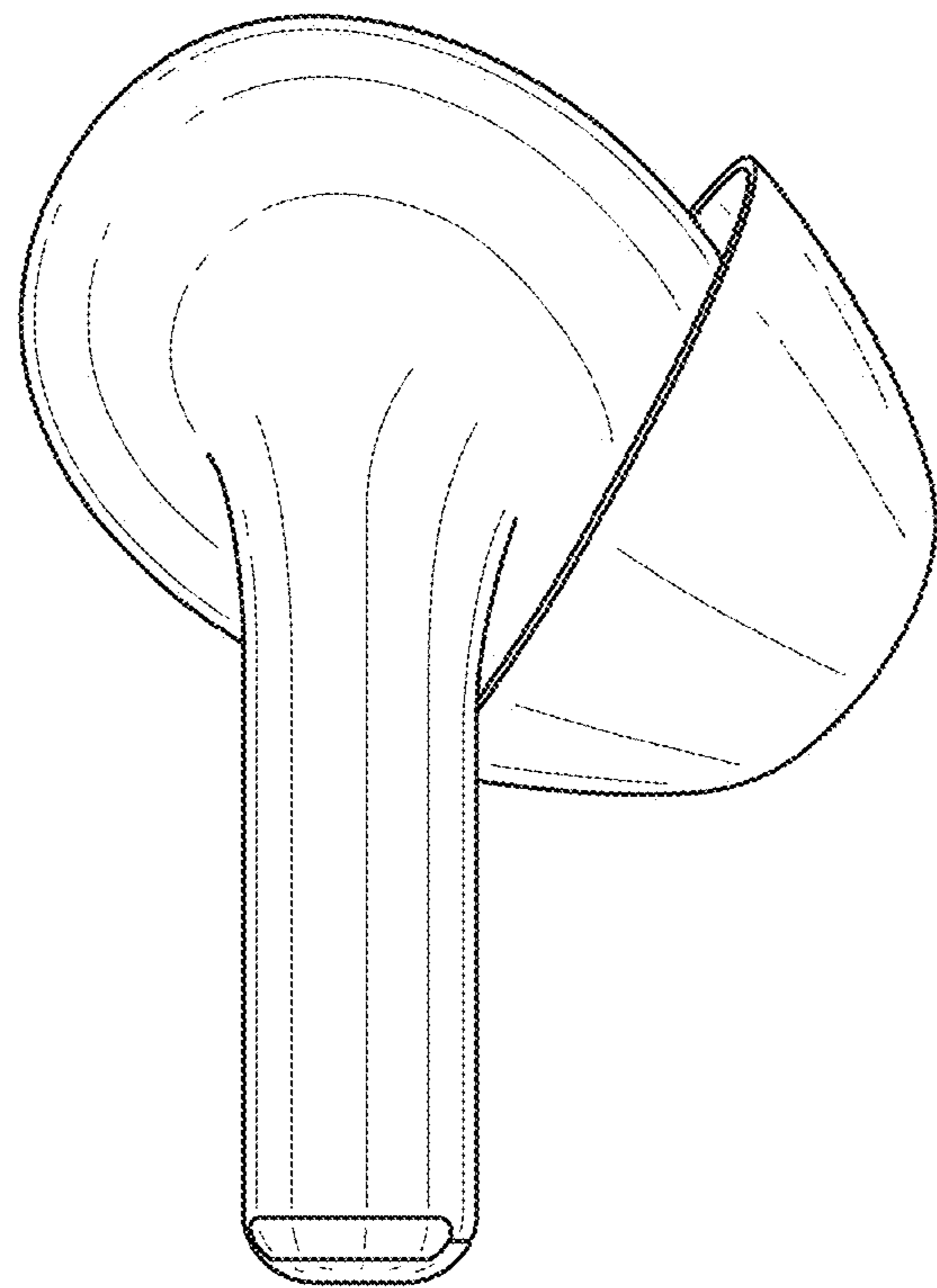


FIG. 3

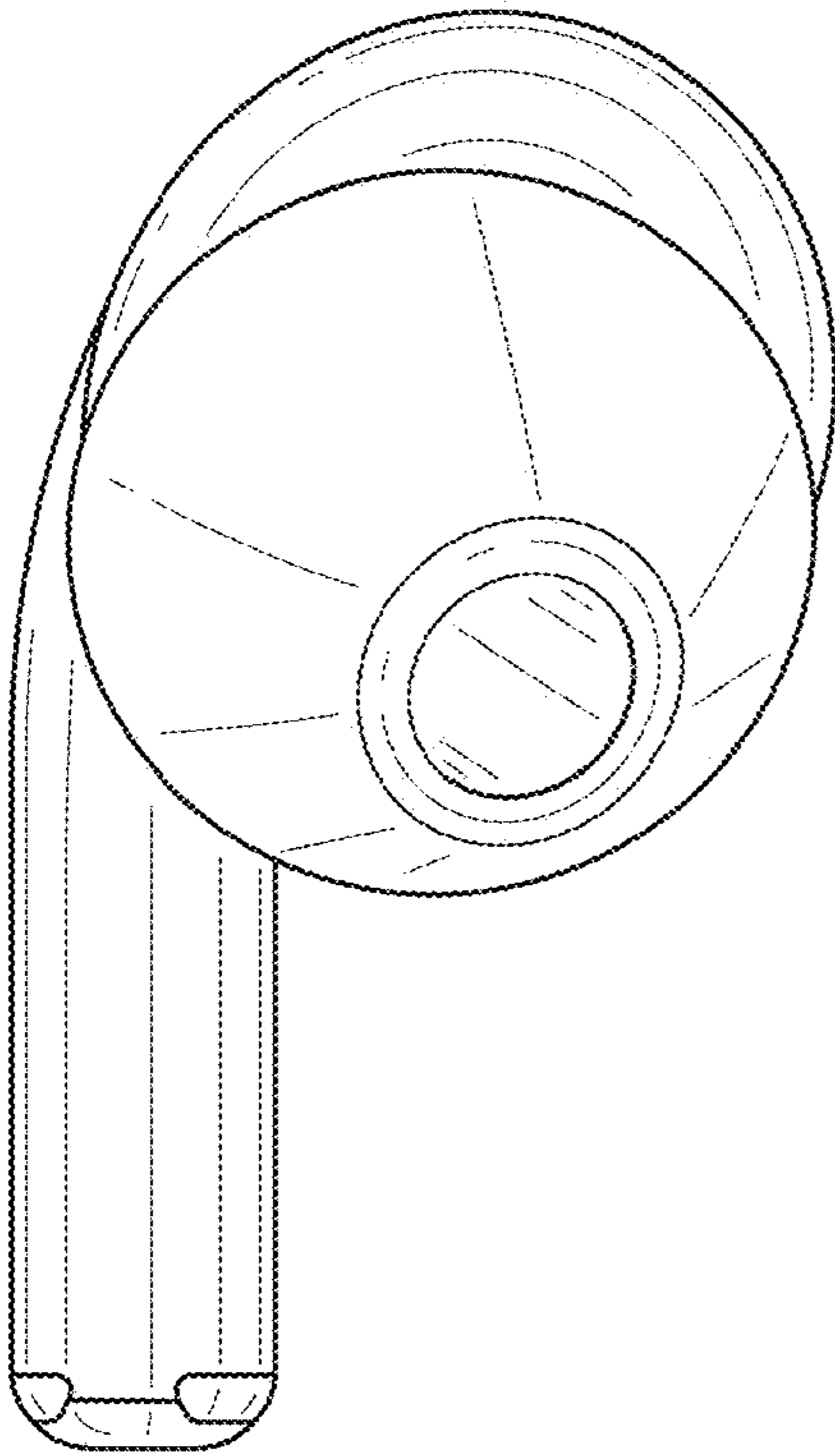


FIG. 4

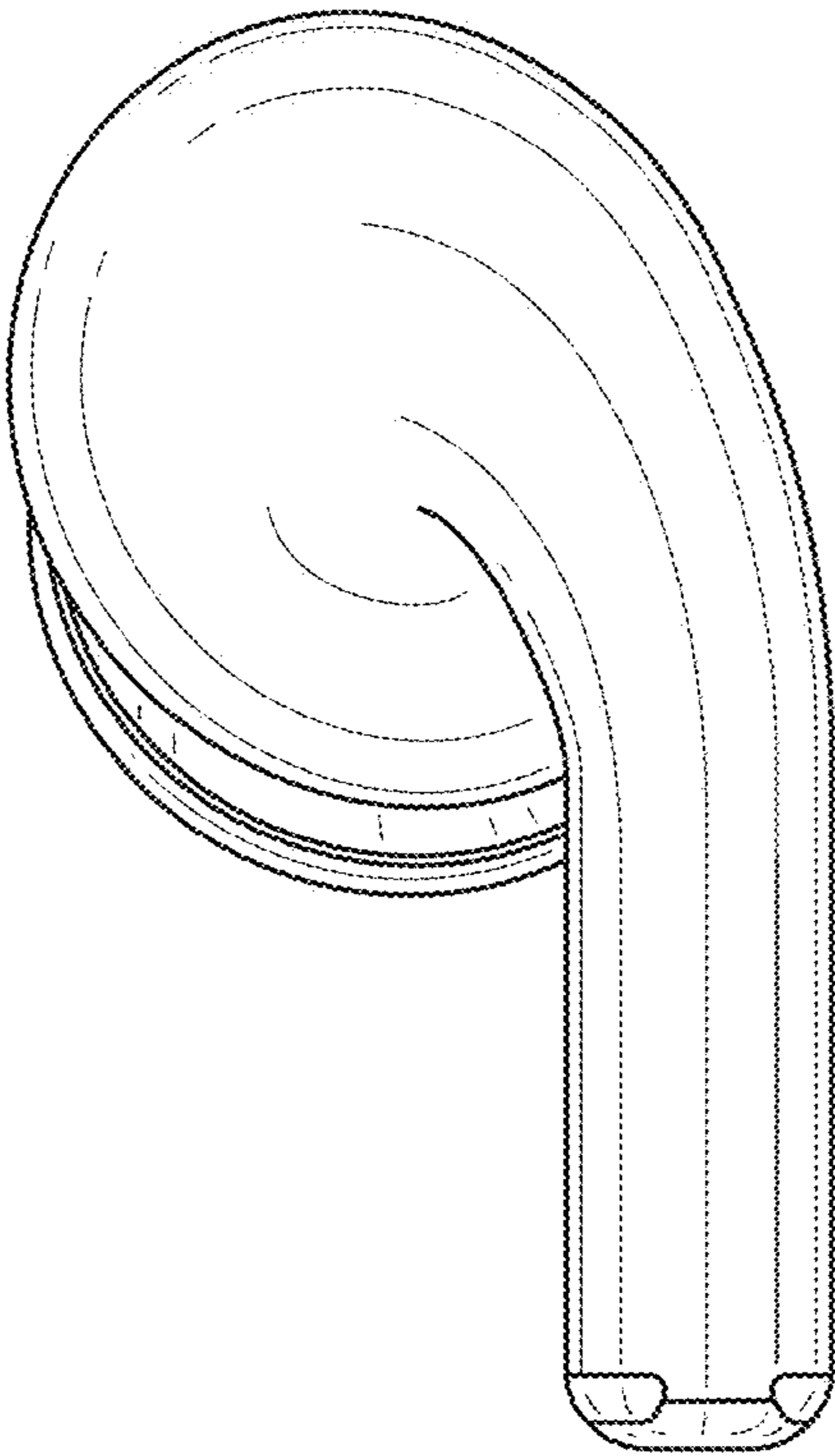


FIG. 5

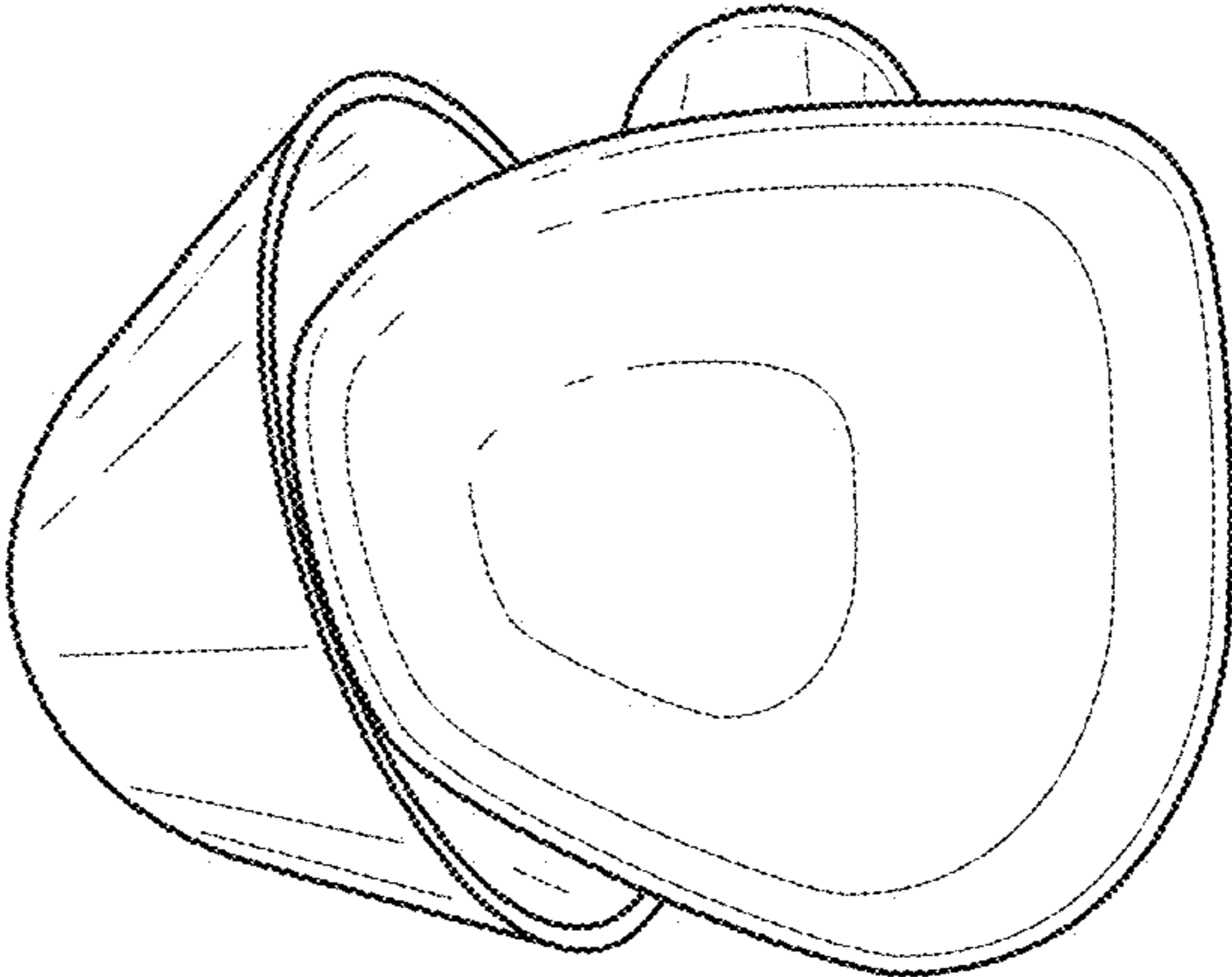


FIG. 6

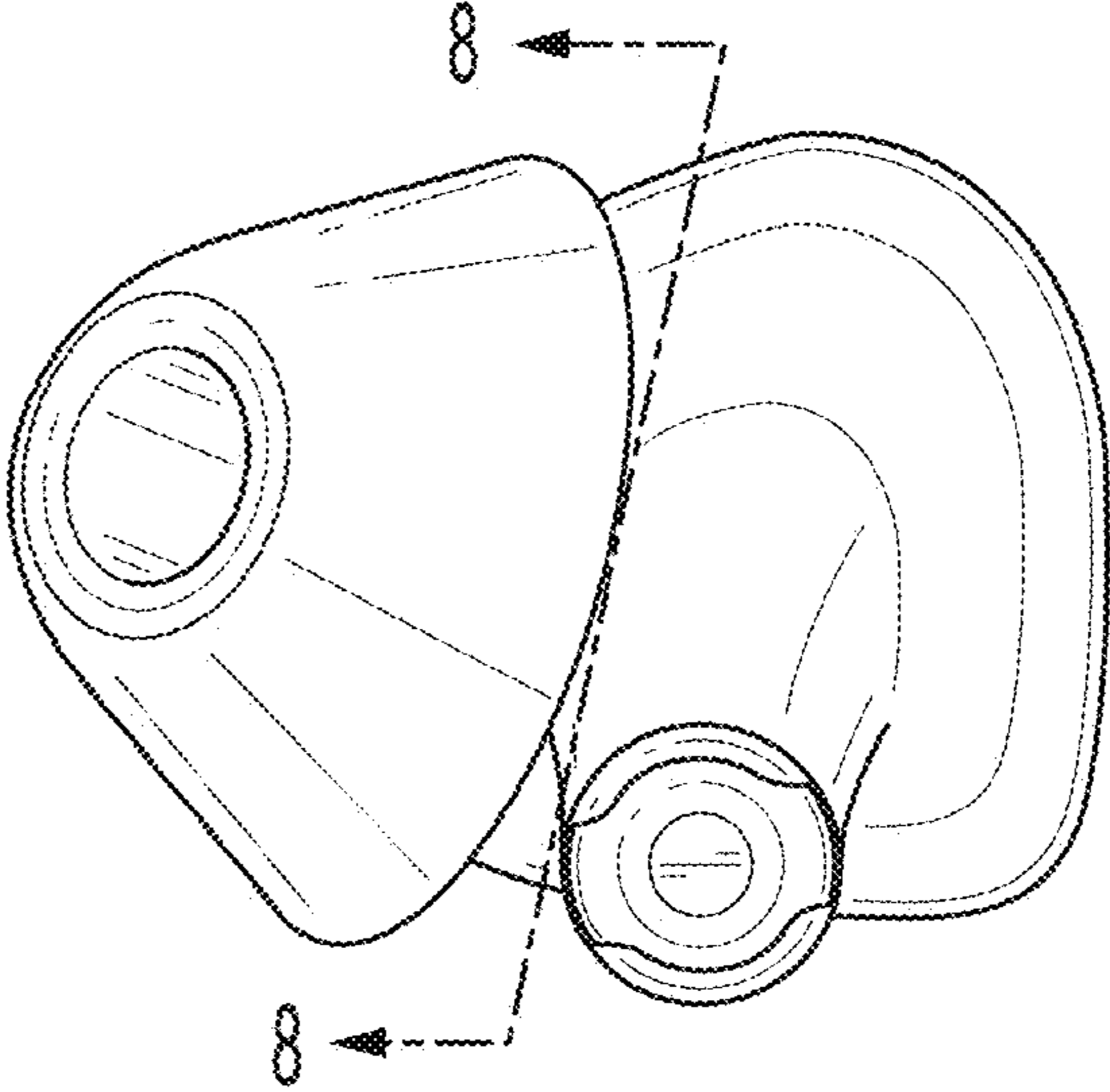


FIG. 7

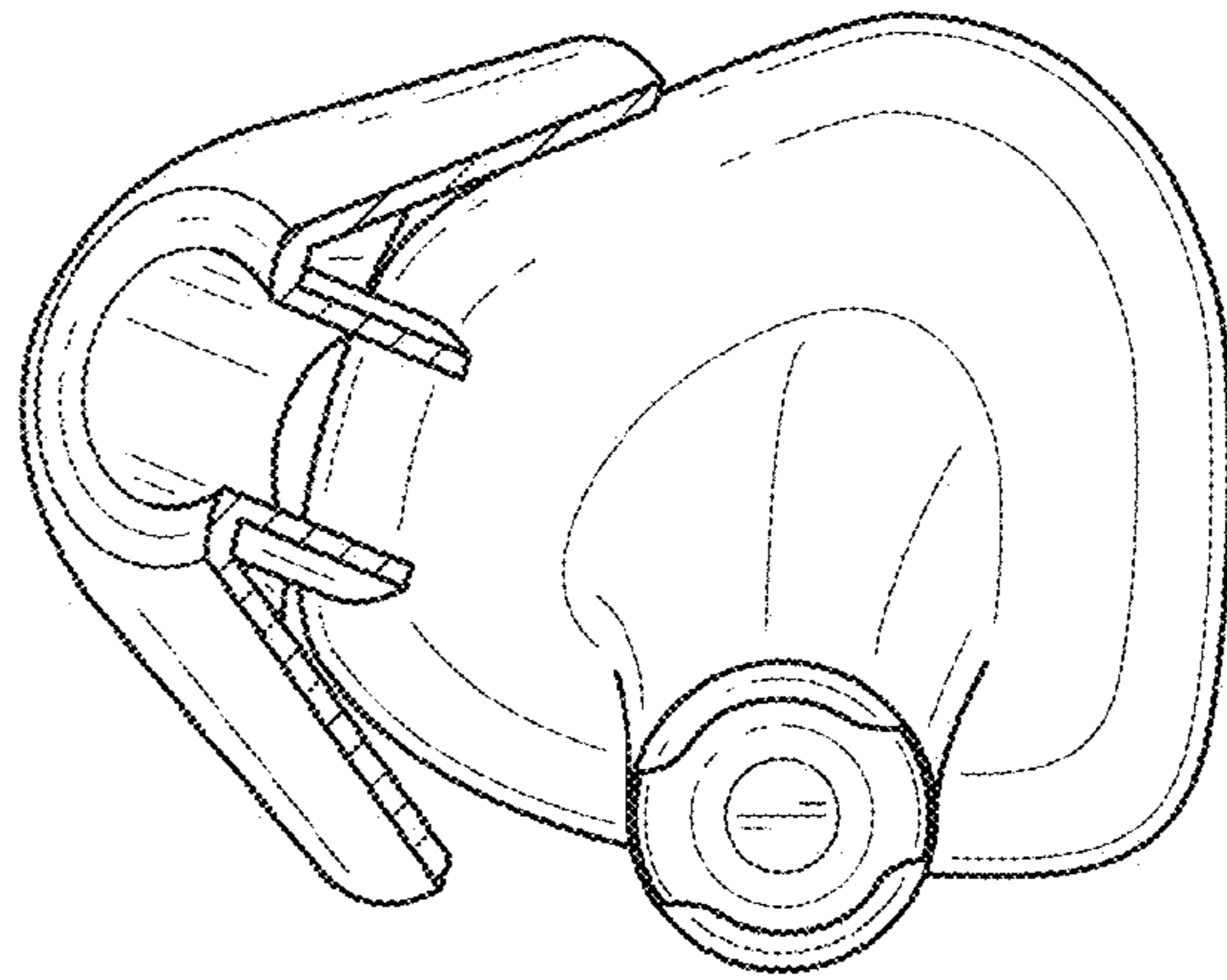


FIG. 8