



US00D980192S

(12) **United States Design Patent**  
**Oberholzer et al.**

(10) **Patent No.:** **US D980,192 S**  
(45) **Date of Patent:** **\*\* Mar. 7, 2023**

(54) **REMOTE CONTROL**

(71) Applicant: **AVA Innovations AG**, Solothurn (CH)

(72) Inventors: **Raphael Oberholzer**, Solothurn (CH);  
**Patrick Domenig**, Solothurn (CH);  
**Dimitri Leimgruebler**, Solothurn (CH)

(73) Assignee: **AVA Innovations AG**, Solothurn (CH)

(\*\*) Term: **15 Years**

(21) Appl. No.: **29/771,681**

(22) Filed: **Feb. 24, 2021**

(51) **LOC (14) Cl.** ..... **14-03**

(52) **U.S. Cl.**  
USPC ..... **D14/218**

(58) **Field of Classification Search**  
USPC ..... D14/218, 388, 358, 247, 162, 184, 186;  
D10/104.1, 106.1, 207, 208, 347; 13/168  
CPC .. H01H 9/0235; H01H 9/0242; H01H 9/0257;  
H01H 9/02; H01H 9/0214; H04B 1/202;  
H04N 5/44; B60R 2225/00; B60R 25/00;  
B60R 25/104; G07C 9/00944; G05B  
1/01; E05B 19/0082; E05B 19/04; Y10T  
70/8676

See application file for complete search history.

(56) **References Cited**

**U.S. PATENT DOCUMENTS**

D413,328 S *	8/1999	Kazama	.....	D14/218
D543,197 S *	5/2007	Loughnane	.....	D14/218
D631,055 S *	1/2011	Gilbert	.....	D14/242
D634,735 S *	3/2011	Maier	.....	D14/218
D670,659 S *	11/2012	Ishikawa	.....	D13/168
D688,214 S *	8/2013	Ducret	.....	D13/168
D692,417 S *	10/2013	Tu	.....	D14/218
D715,797 S *	10/2014	Hiraga	.....	D14/356
D716,270 S *	10/2014	Wang	.....	D14/218
D719,108 S *	12/2014	Clymer	.....	D13/168
D739,384 S *	9/2015	Won	.....	D14/218

D749,061 S *	2/2016	Lee	.....	D14/218
D753,091 S *	4/2016	Miyake	.....	D14/218
D755,733 S *	5/2016	Ikegaya	.....	D13/168
D763,204 S *	8/2016	Ikegaya	.....	D13/168
D769,830 S *	10/2016	Clymer	.....	D13/168

(Continued)

**FOREIGN PATENT DOCUMENTS**

CN	304974647	*	10/2019
CN	307002857	*	12/2021

(Continued)

**OTHER PUBLICATIONS**

Sonew, "WiFi Touch Screen Switch . . .", available at amazon.com, date first available May 24, 2019, site visited Jun. 27, 2022, available at URL: <https://a.co/d/FTx3FJ3> (Year: 2019).\*

(Continued)

*Primary Examiner* — Daniel J Domino

*Assistant Examiner* — Samina Vieth

(74) *Attorney, Agent, or Firm* — Wagenknecht IP Law Group PC

(57) **CLAIM**

The ornamental design for a remote control, as shown and described.

**DESCRIPTION**

FIG. 1 is a front, bottom, and left side perspective view of a remote control showing our new design;

FIG. 2 is a rear, bottom and right side perspective view thereof;

FIG. 3 is a front elevational view thereof

FIG. 4 is a rear elevational view thereof

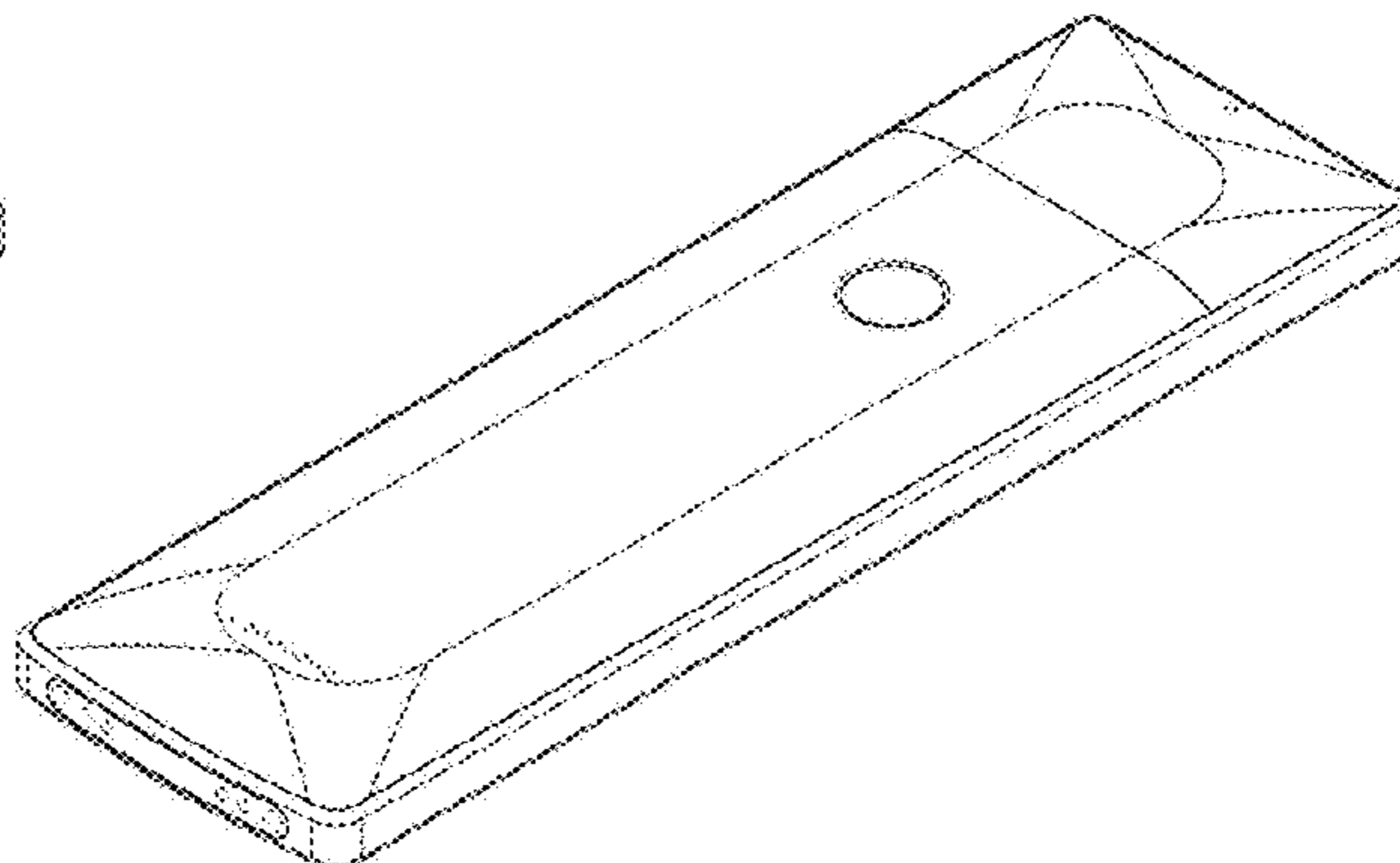
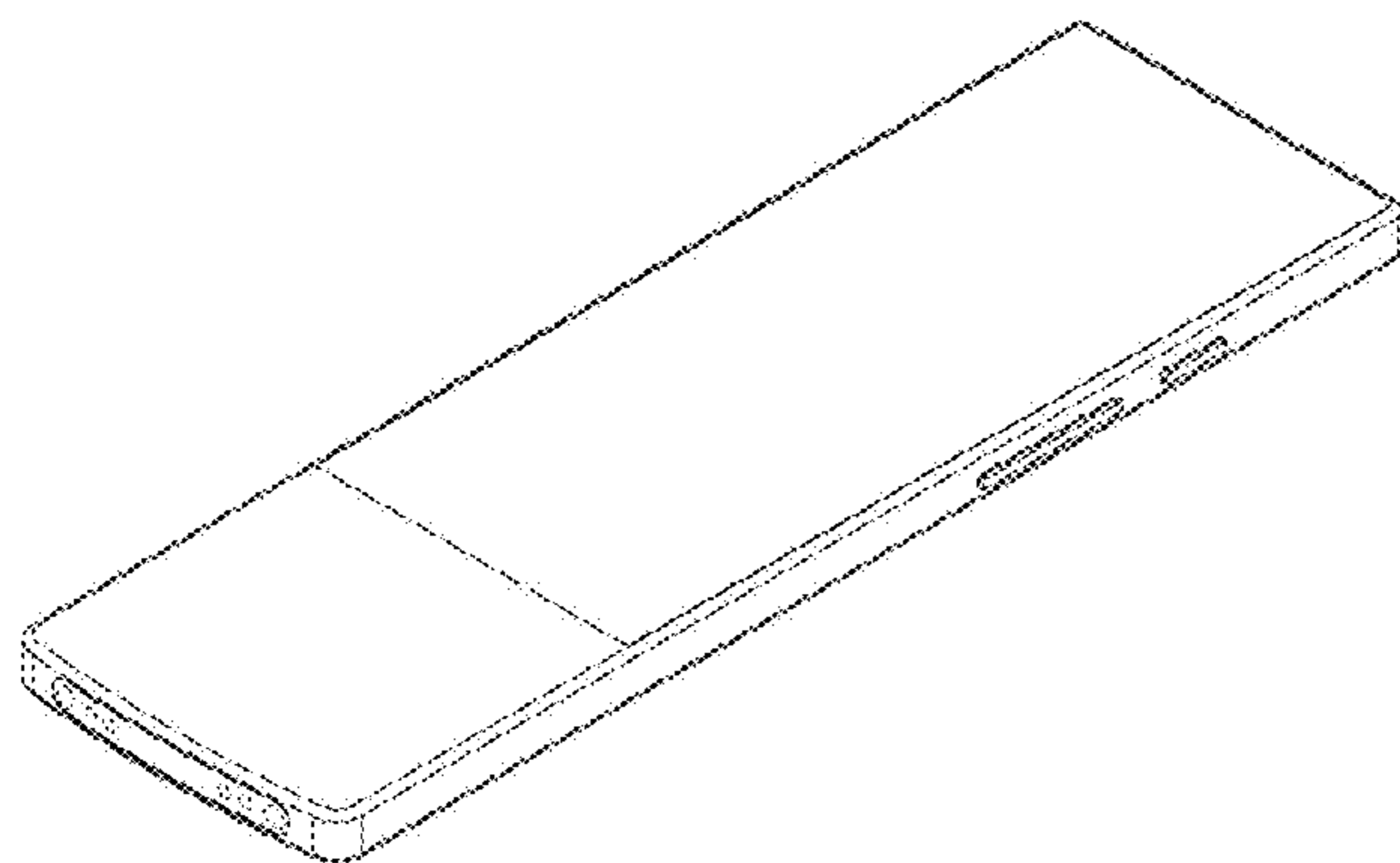
FIG. 5 is a top plan view thereof;

FIG. 6 is a bottom plan view thereof;

FIG. 7 is a right side elevational view thereof; and,

FIG. 8 is a left side elevational view thereof.

**1 Claim, 6 Drawing Sheets**



(56)

References Cited

U.S. PATENT DOCUMENTS

D774,927 S \* 12/2016 Jilg ..... D10/50  
 D777,141 S \* 1/2017 Lee ..... D14/218  
 D791,105 S \* 7/2017 Weber ..... D14/218  
 D798,841 S \* 10/2017 Park ..... D14/218  
 D813,875 S \* 3/2018 Liao ..... D14/434  
 D823,282 S \* 7/2018 Kim ..... D14/218  
 D844,008 S \* 3/2019 Yamazaki ..... D14/434  
 D859,327 S \* 9/2019 Yoshida ..... D13/168  
 D863,235 S \* 10/2019 Zhou ..... D13/168  
 D864,128 S \* 10/2019 Ferdinand ..... D13/168  
 D867,192 S \* 11/2019 Sweeney ..... D10/106.1  
 D882,578 S \* 4/2020 Zhang ..... D14/433  
 D912,636 S \* 3/2021 Matthews ..... D13/184  
 D939,475 S \* 12/2021 Lee ..... D14/218  
 D945,383 S \* 3/2022 Thomsen ..... D14/218  
 D948,490 S \* 4/2022 Harley ..... D14/240

FOREIGN PATENT DOCUMENTS

CN 307072525 \* 1/2022  
 CN 307169702 \* 3/2022

JP D1453553 \* 10/2012  
 JP D1497108 \* 5/2014  
 KR 301061025.0000 \* 6/2020

OTHER PUBLICATIONS

Moes Store, “WiFi Smart Wall Touch Light . . . ” available at amazon.com, date first available Mar. 21, 2018, site visited Jun. 27, 2022, available at URL: [https://www.amazon.com/Wireless-Anywhere-Compatible-Function-Required/dp/B07BM1JJDC?source=ps-sl-shoppingads-lpcontext&ref\\_=fplfs&smid=AM2ATWLFGFUBV&th=1](https://www.amazon.com/Wireless-Anywhere-Compatible-Function-Required/dp/B07BM1JJDC?source=ps-sl-shoppingads-lpcontext&ref_=fplfs&smid=AM2ATWLFGFUBV&th=1) (Year: 2018).\*

Rollease, “Acmeda Automate Paradigm . . . ”, available at amazon.com, date first available May 20, 2021, site visited Jun. 27, 2022, available at URL: [https://www.amazon.com/Rollease-Acmeda-Remote-Channel-MTRF-REM-1C/dp/B095JD5YD8?source=ps-sl-shoppingads-lpcontext&ref\\_=fplfs&psc=1&smid=A25700QGMWV7VN](https://www.amazon.com/Rollease-Acmeda-Remote-Channel-MTRF-REM-1C/dp/B095JD5YD8?source=ps-sl-shoppingads-lpcontext&ref_=fplfs&psc=1&smid=A25700QGMWV7VN) (Year: 2021).\*

\* cited by examiner

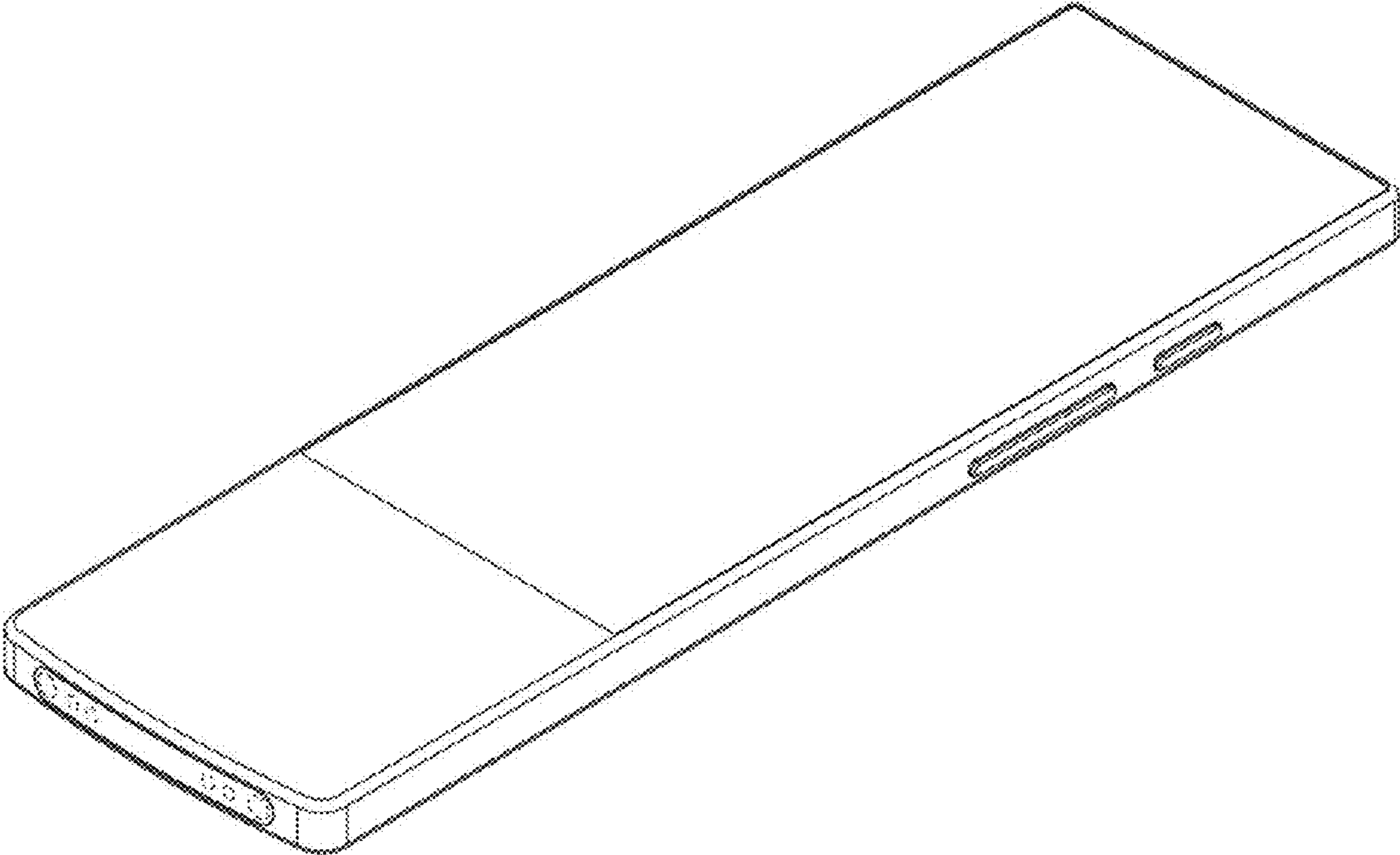


FIG. 1

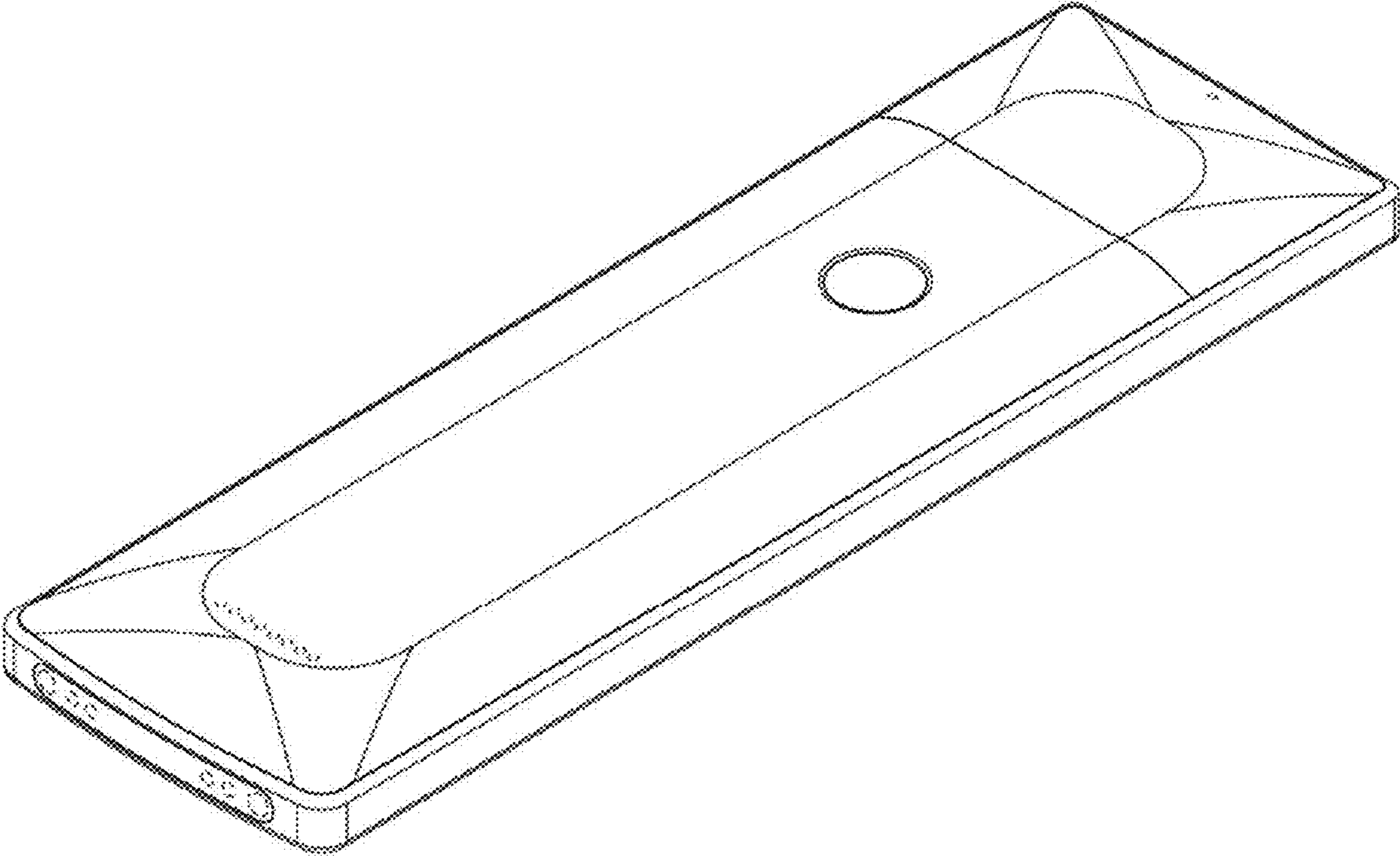


FIG. 2

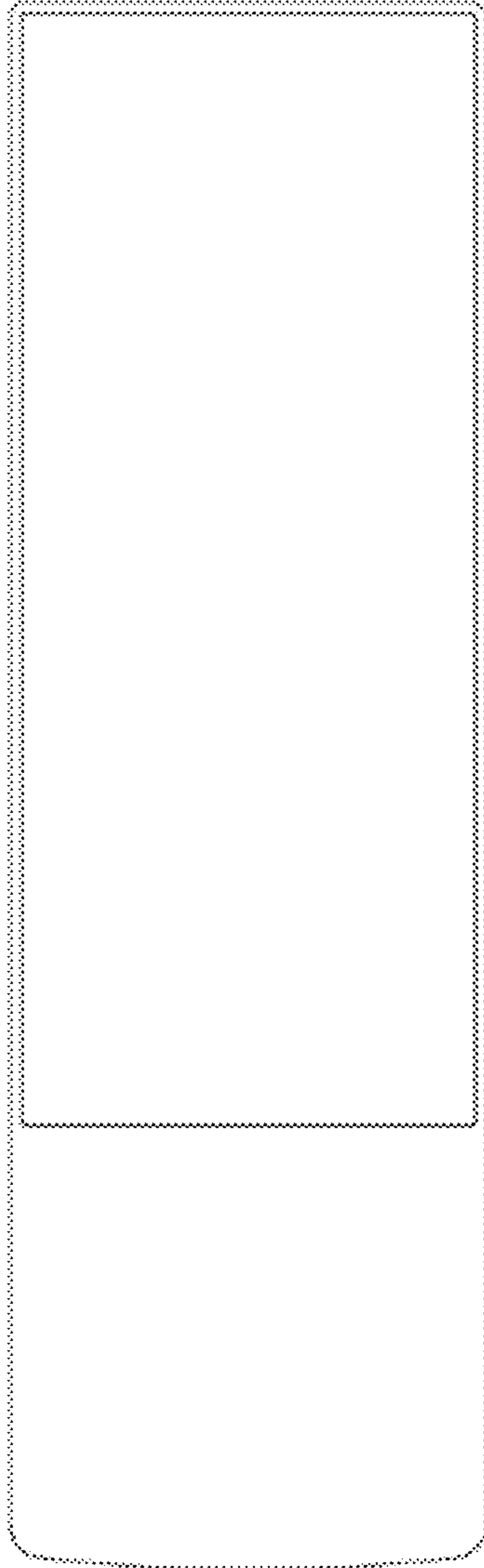


FIG. 3



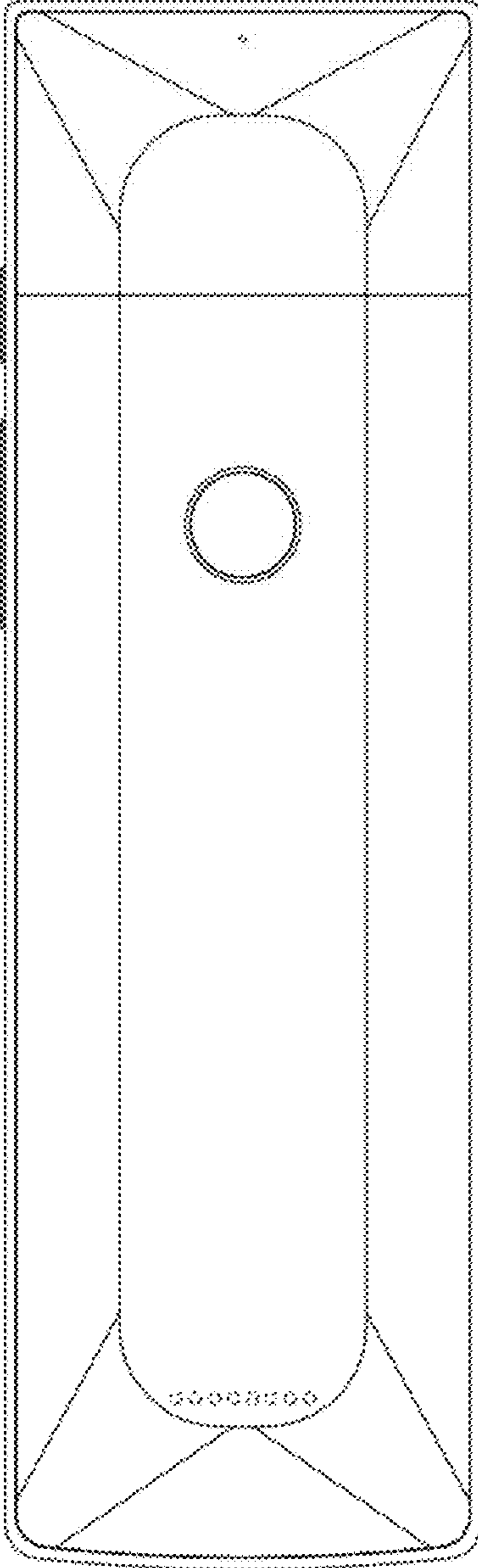


FIG. 4

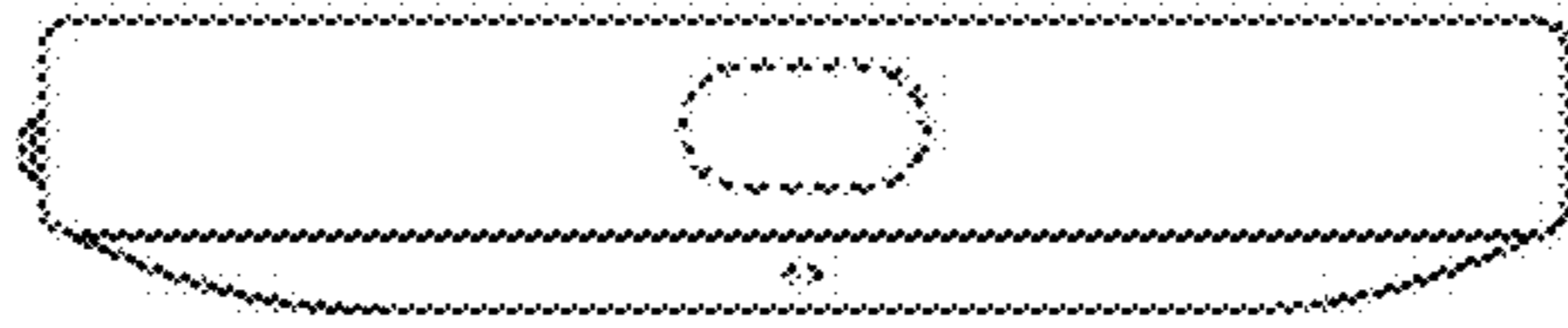


FIG. 5

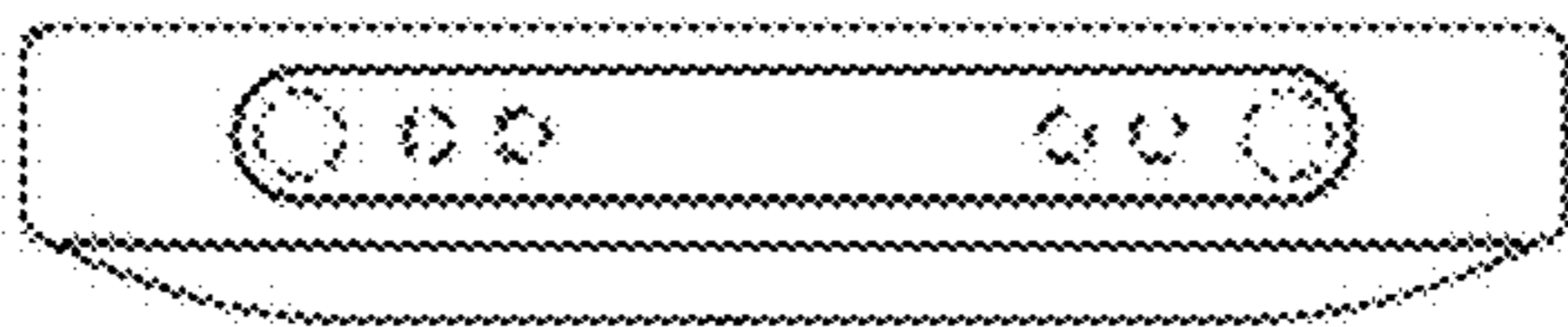


FIG. 6

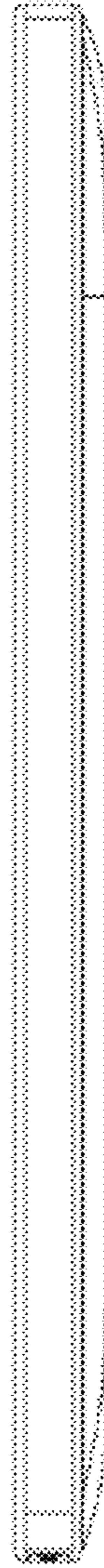


FIG. 7

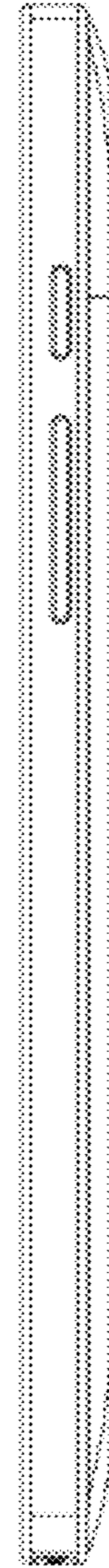


FIG. 8