



US00D980191S

(12) **United States Design Patent** (10) **Patent No.:** **US D980,191 S**
Puckett (45) **Date of Patent:** **** Mar. 7, 2023**

(54) **SPEAKER**

(71) Applicant: **Bose Corporation**, Framingham, MA (US)

(72) Inventor: **Scott Puckett**, West Warwick, RI (US)

(73) Assignee: **BOSE CORPORATION**, Framingham, MA (US)

(**) Term: **15 Years**

(21) Appl. No.: **29/732,885**

(22) Filed: **Apr. 28, 2020**

(51) **LOC (14) Cl.** **14-01**

(52) **U.S. Cl.**
USPC **D14/216**

(58) **Field of Classification Search**
USPC D14/155–159, 160–173, 187–188,
D14/203.1–203.8, 204–216, 217–222,
D14/225–229, 496, 498, 507
CPC H04R 1/02; H04R 1/021; H04R 1/025;
H04R 1/026; H04R 1/028; H04R 1/06;
H04R 1/105; H04R 1/323; H04R 1/403;
H04R 1/2803; H04R 1/2834
See application file for complete search history.

(56) **References Cited**

U.S. PATENT DOCUMENTS

D481,709 S *	11/2003	Solderits	D14/223
D644,351 S *	8/2011	Hasse	D26/2
D658,161 S *	4/2012	Chen	D14/216
9,084,046 B2 *	7/2015	Ivey	H04R 1/025
D864,911 S *	10/2019	Espinosa	D14/216
D864,912 S *	10/2019	Espinosa	D14/216
D873,795 S *	1/2020	Susterman	D14/216
D895,566 S *	9/2020	Laube	D14/172
11,064,275 B2 *	7/2021	Mai	H04R 1/025
D962,197 S *	8/2022	Puckett	D14/204
2014/0305734 A1 *	10/2014	Ivey	H04R 1/025
				181/150
2016/0366501 A1 *	12/2016	Ivey	H04R 1/026

2018/0058629 A1 *	3/2018	Hart	E04B 9/006
2020/0186902 A1 *	6/2020	Brousseau	H04R 1/025
2020/0394886 A1 *	12/2020	Antar	G01N 33/0065

OTHER PUBLICATIONS

Bose Professional FreeSpace FS2C 2.25" 20W In-Ceiling Passive Loudspeaker, date not available, [retrieved Jul. 1, 2021], Retrieved from Internet, URL: <https://www.bhphotovideo.com/c/product/1605644-REG/bose_professional_841154_0310_freespace_fs2c_in_ceiling_loudspeaker.html/?ap=y&ap=y&%E2%80%A6> (Year: 2021).*
Bose® FreeSpace® FS2C, review date: Feb. 14, 2021, [retrieved Jul. 1, 2021], Retrieved from Internet, URL: <https://www.crutchfield.com/S-P7YyA3EvAis/p_201FS2CB/Bose-FreeSpace-FS2C-Black.html?XVINQ=GLX&awkw=962146136125&awat=pla&awnw=g&awcr=513910595421&awdv=c&awug=9007779&gclid=EAlaQ%E2%80%A6> (Year: 2021).*

* cited by examiner

Primary Examiner — Messina L Smith

Assistant Examiner — Aram Kwon

(74) *Attorney, Agent, or Firm* — Bose Corporation

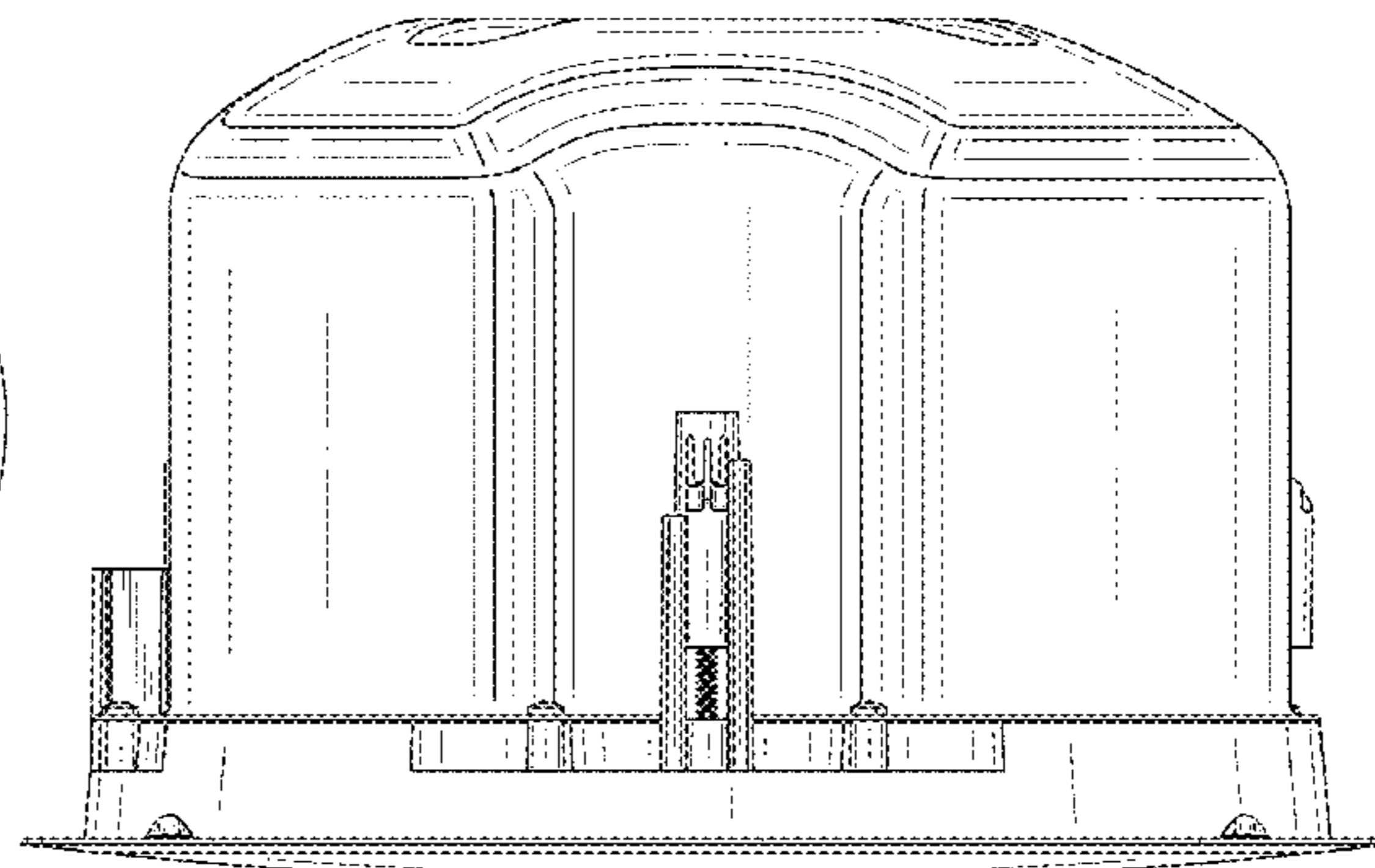
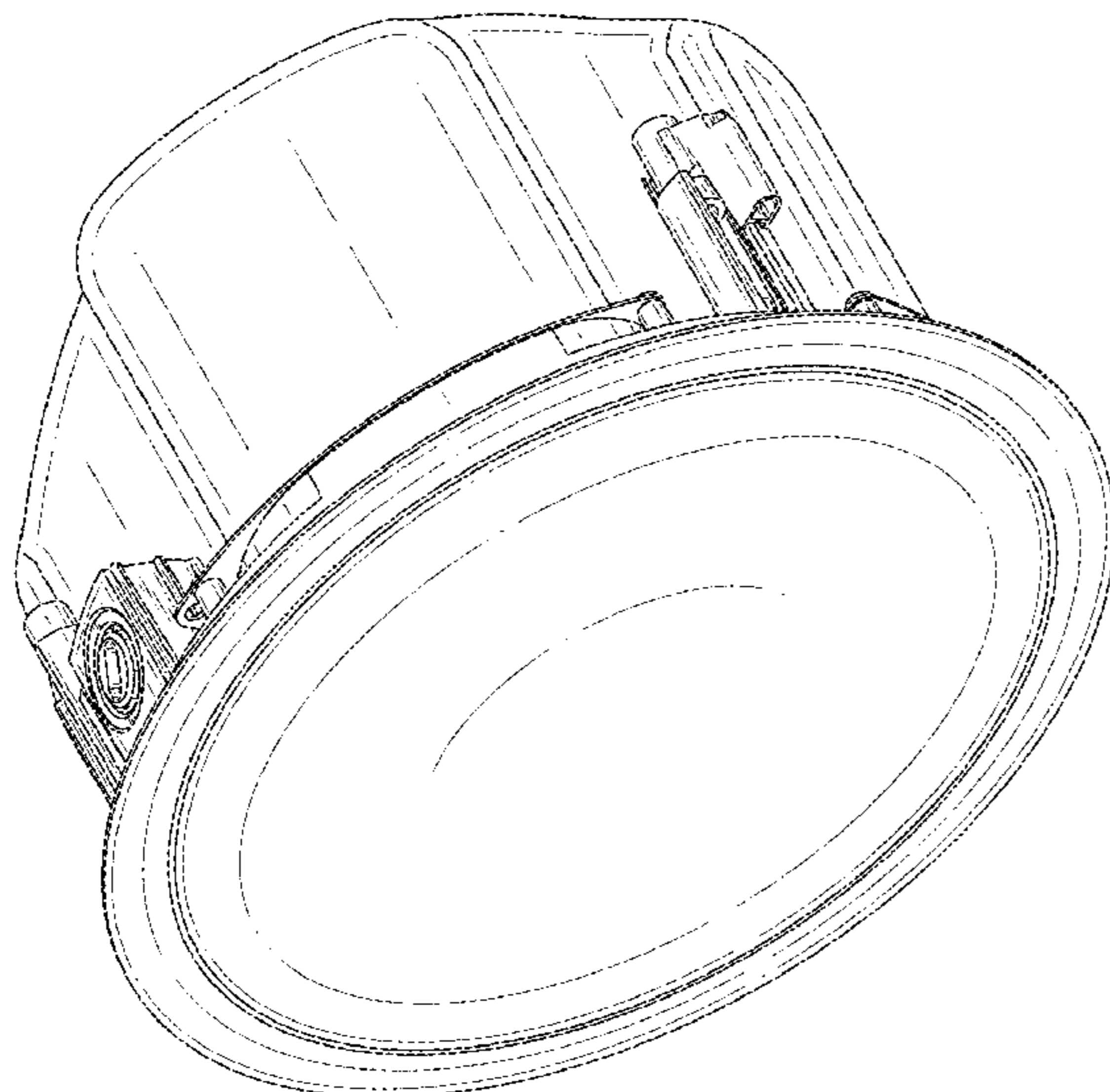
(57) **CLAIM**

The ornamental design for a speaker, as shown and described.

DESCRIPTION

FIG. 1 is a perspective view of a speaker as seen from the bottom, front, and left side;
FIG. 2 is front view thereof;
FIG. 3 is a right side view thereof;
FIG. 4 is a rear view thereof;
FIG. 5 is a left side view thereof;
FIG. 6 is a top view thereof; and,
FIG. 7 is a bottom view thereof.
The broken lines shown in the drawings depict portions of the speaker that form no part of the claimed design.

1 Claim, 7 Drawing Sheets



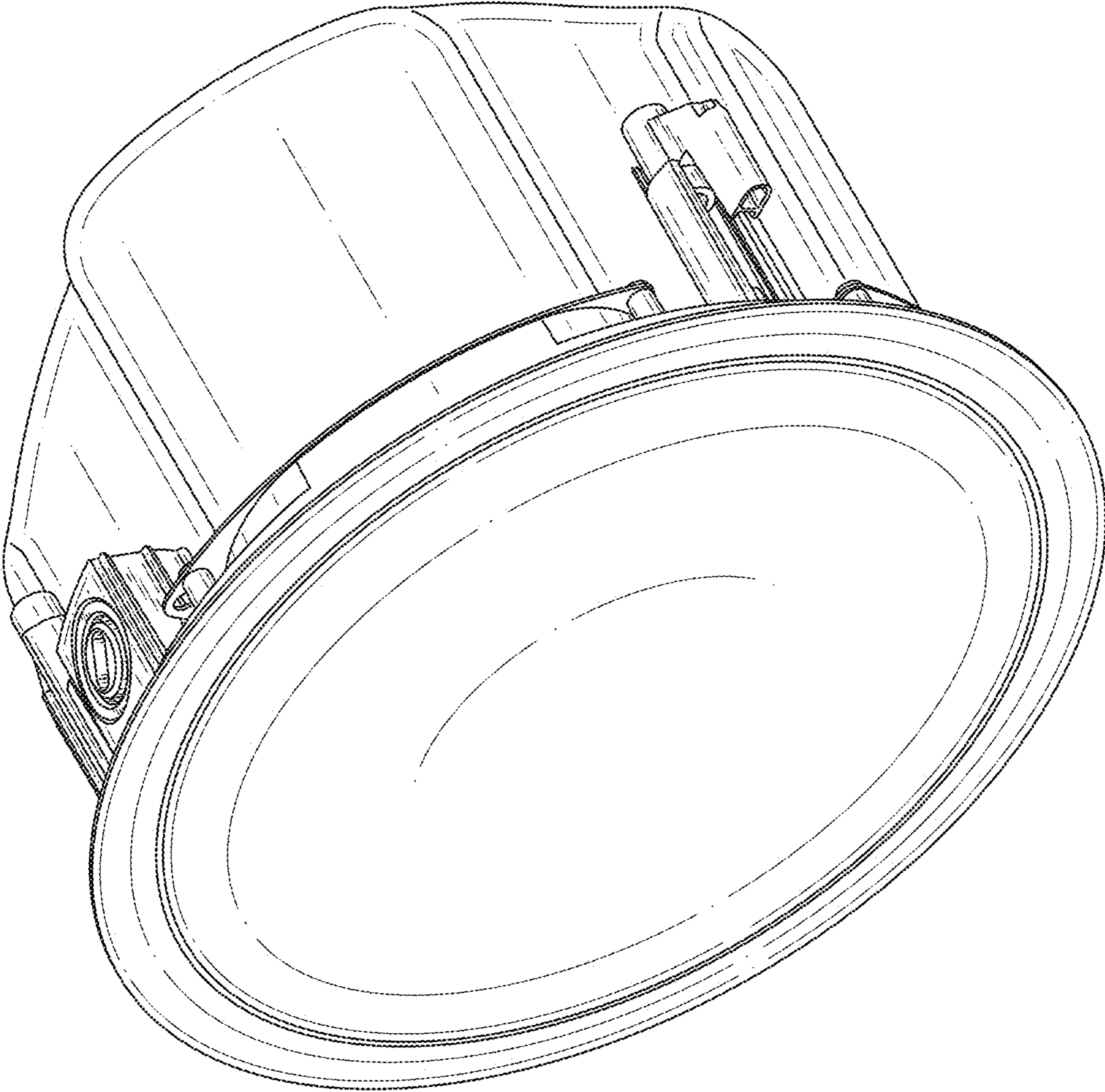


FIG. 1

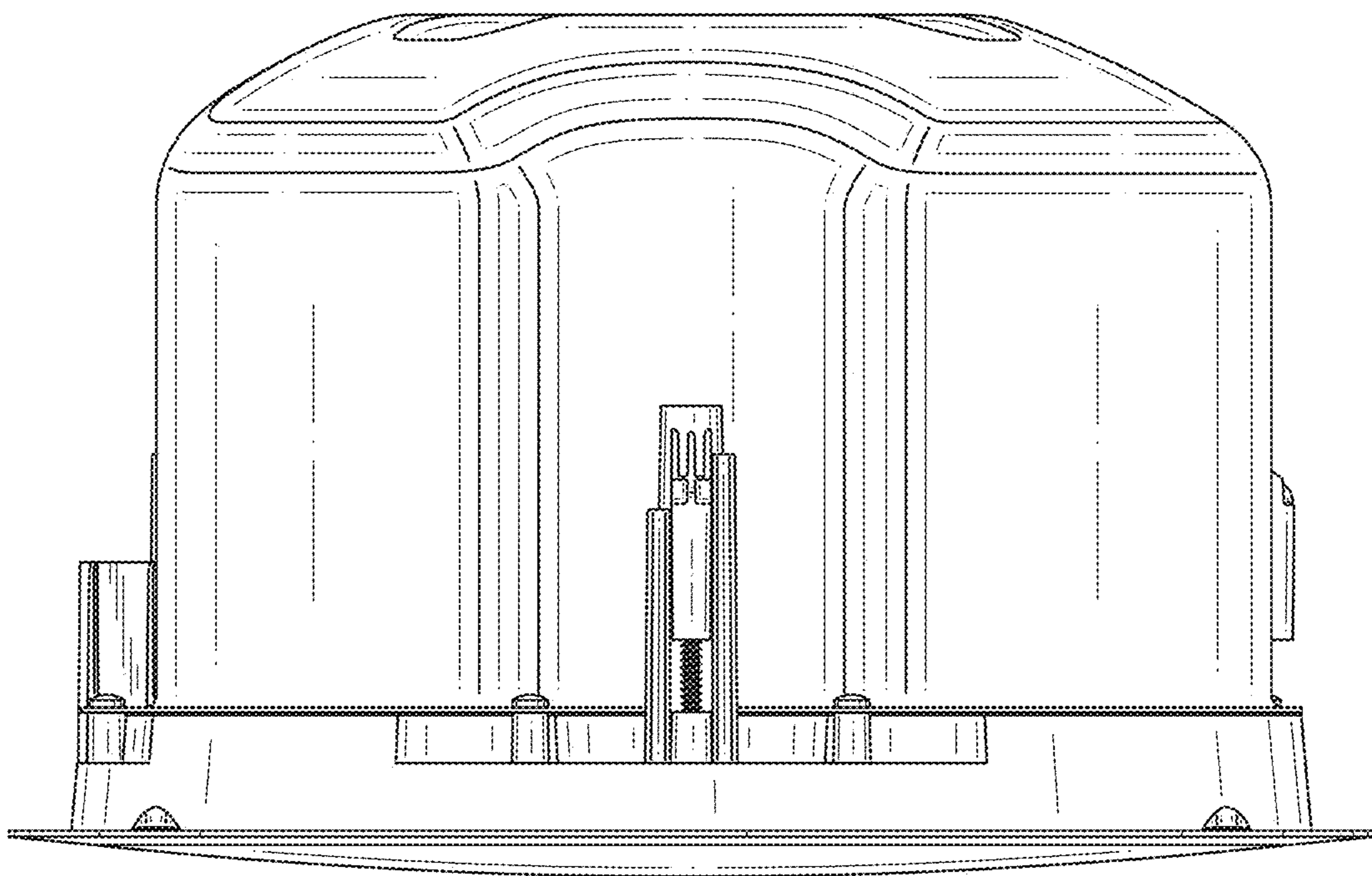


FIG. 2

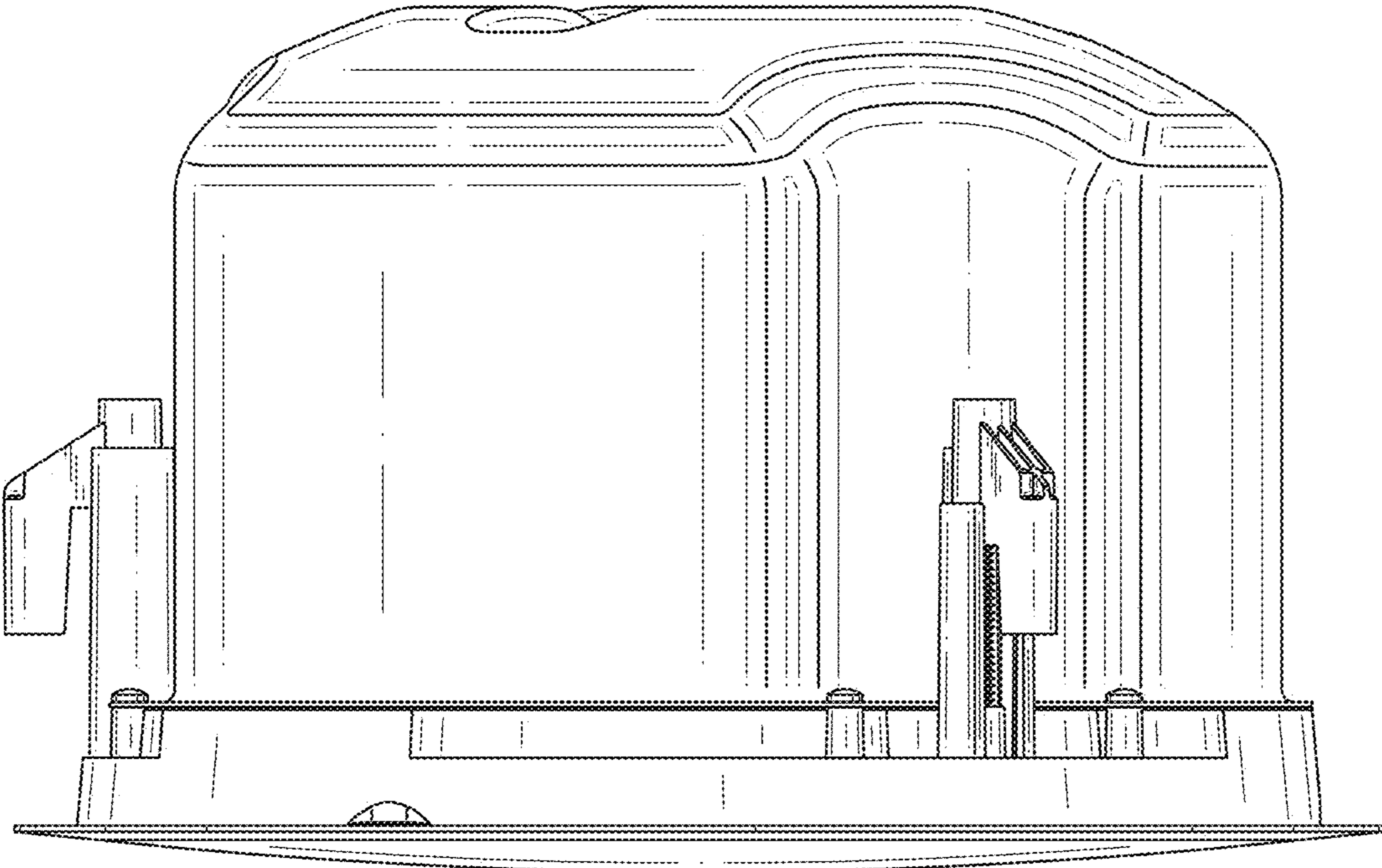


FIG. 3

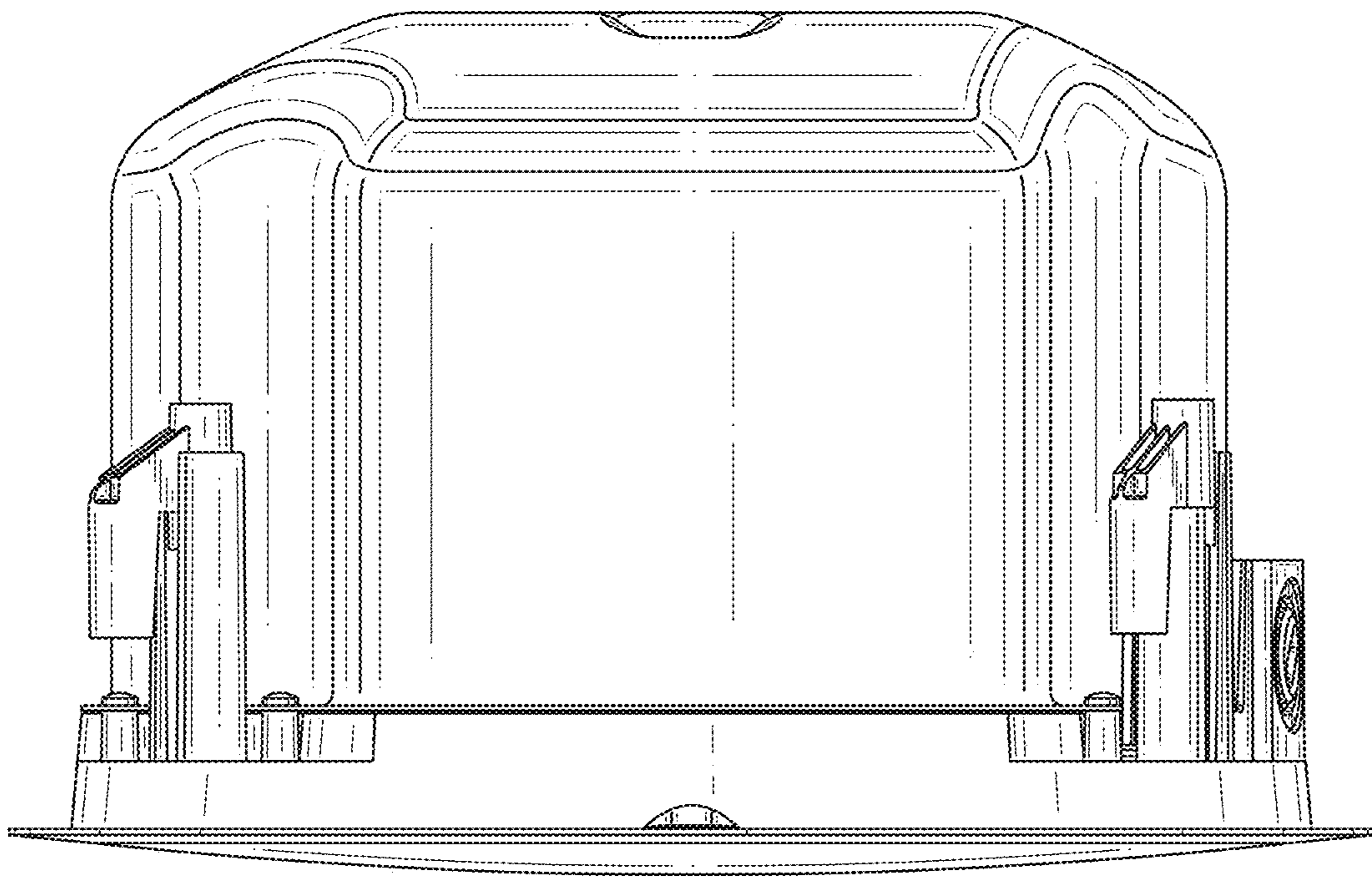


FIG. 4

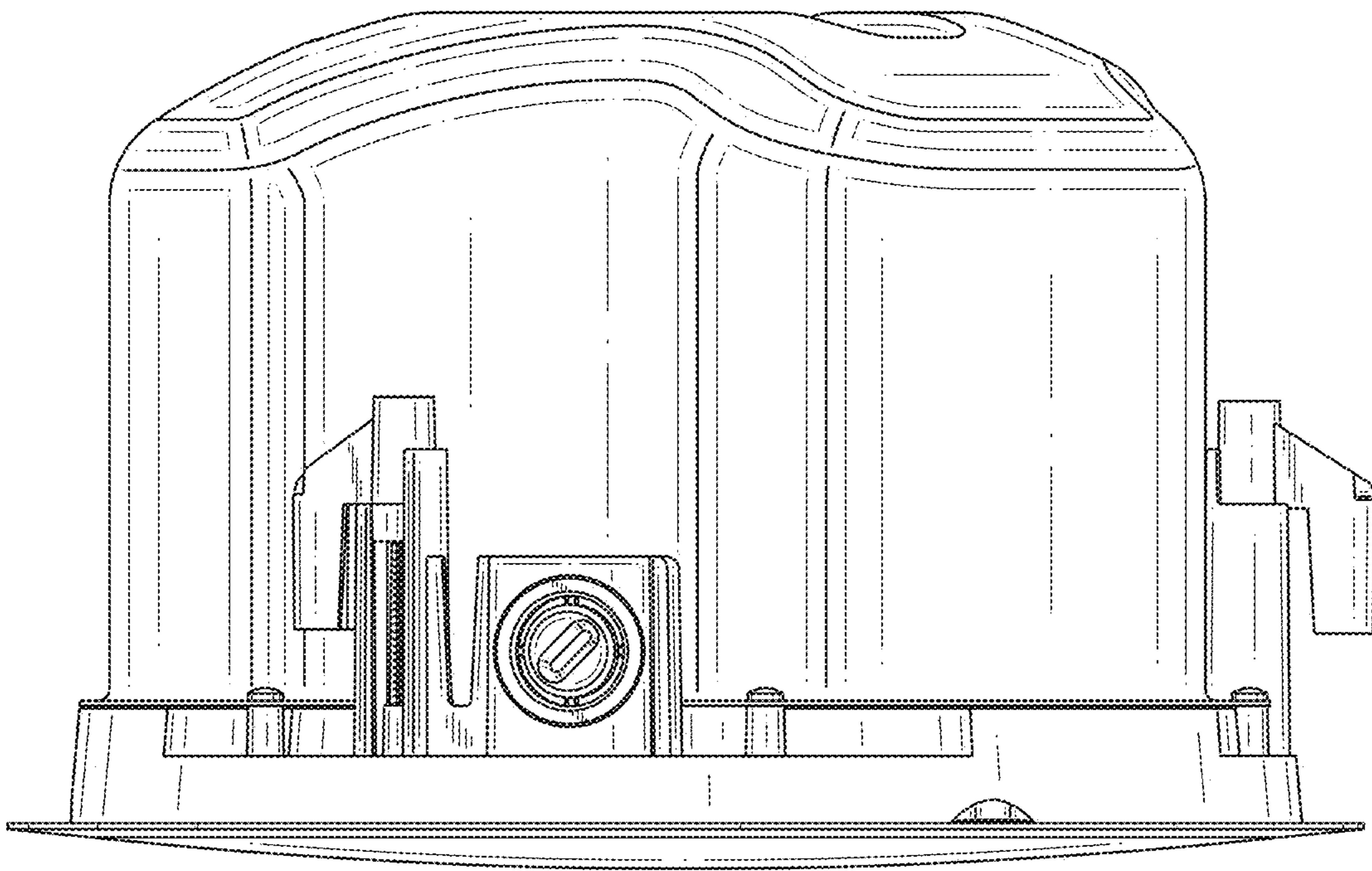


FIG. 5

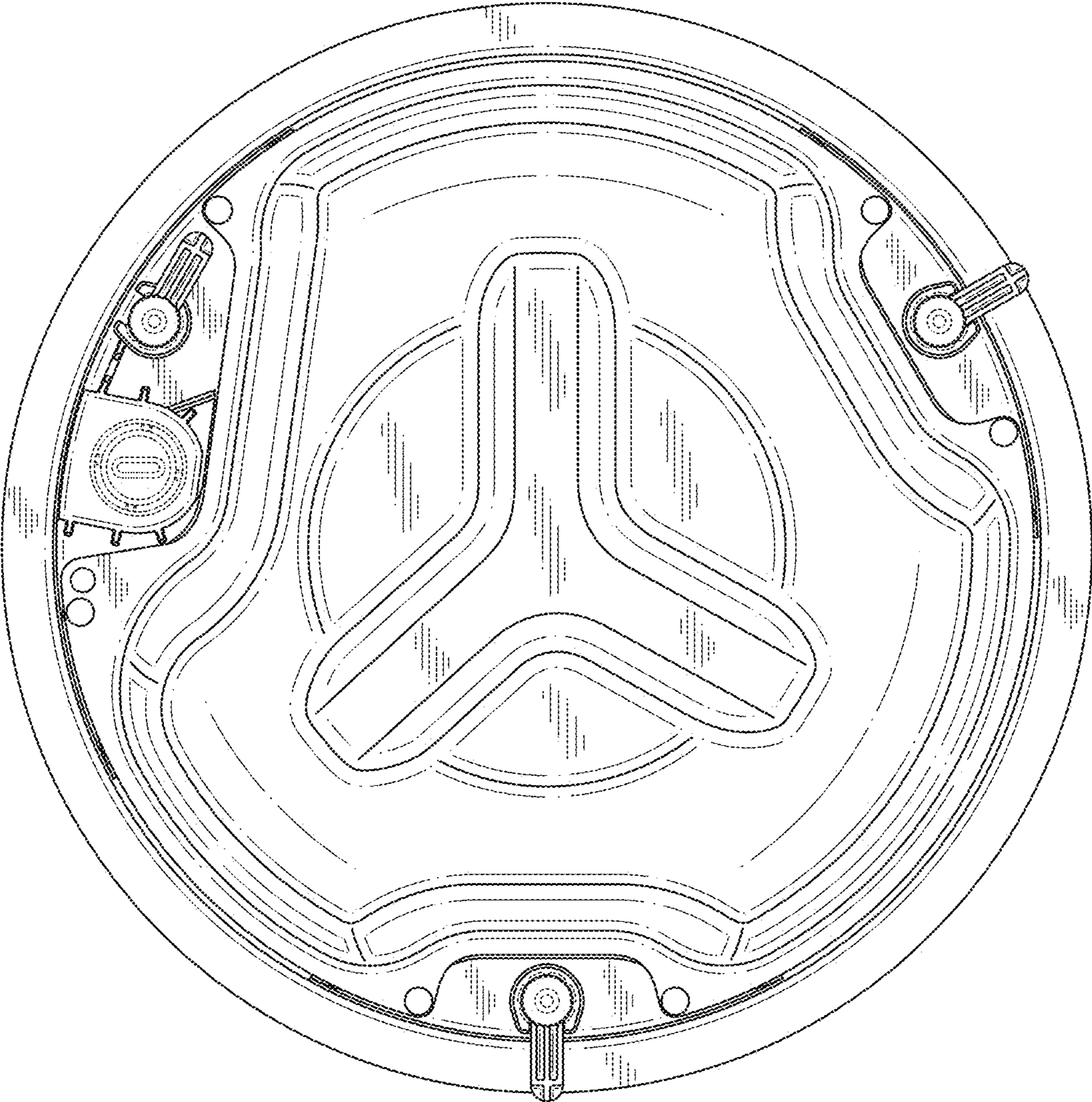


FIG. 6

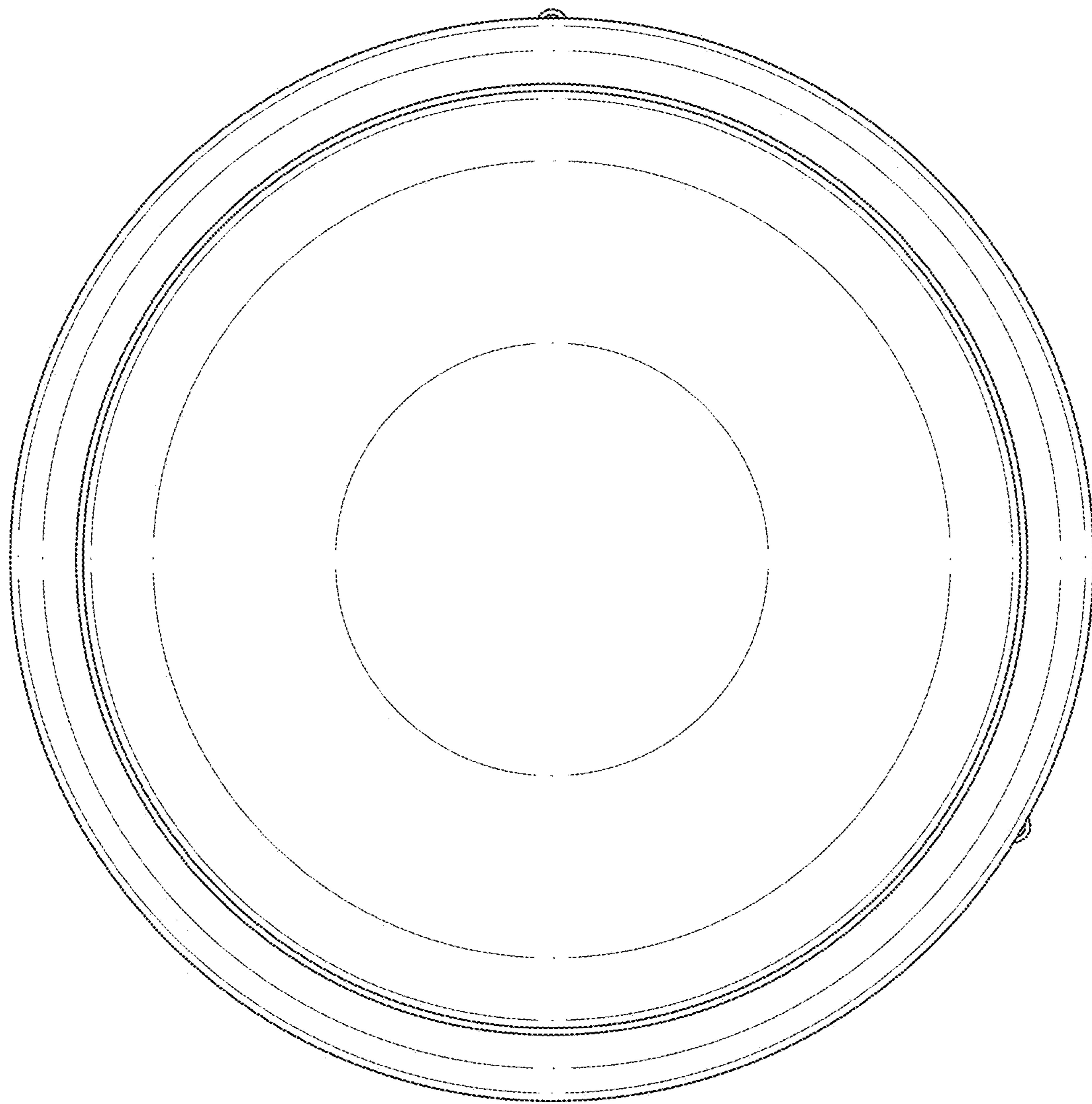


FIG. 7