



US00D980188S

(12) **United States Design Patent** (10) **Patent No.:** **US D980,188 S**
Bellham et al. (45) **Date of Patent:** **** *Mar. 7, 2023**

(54) **HEADPHONES**

(71) Applicant: **GN AUDIO A/S**, Ballerup (DK)

(72) Inventors: **Philip Bellham**, Ballerup (DK);
Rasmus Trudslev Pedersen, Ballerup (DK); **Bill Zeng**, Ballerup (DK)

(73) Assignee: **GN AUDIO A/S**, Ballerup (DK)

(*) Notice: This patent is subject to a terminal disclaimer.

(**) Term: **15 Years**

(21) Appl. No.: **29/829,473**

(22) Filed: **Mar. 4, 2022**

Related U.S. Application Data

(63) Continuation of application No. 29/738,556, filed on Jun. 18, 2020, now Pat. No. Des. 952,600.

(30) **Foreign Application Priority Data**

Dec. 19, 2019 (EM) 007433701-1-5

(51) **LOC (14) Cl.** **14-01**

(52) **U.S. Cl.**
USPC **D14/205**

(58) **Field of Classification Search**
USPC D14/206, 226, 205, 249; D29/112;
2/209; 381/380, 381, 370, 374, 378
CPC H04R 25/00; H04R 25/02; H04R 1/1066;
H04R 1/1016; H04R 5/033; H04R
5/0335; H04R 19/04; H04R 1/1008;
H04R 1/1091

See application file for complete search history.

(56) **References Cited**

U.S. PATENT DOCUMENTS

2,437,049 A * 3/1948 Salisbury A61F 11/14
2/209
3,454,964 A * 7/1969 Brinkhoff A61F 11/14
381/372

D246,242 S * 11/1977 Bellini D14/205
4,484,029 A 11/1984 Kenney
D328,461 S * 8/1992 Daido D14/205
D337,116 S 7/1993 Hattori
5,469,505 A 11/1995 Gattey et al.
D365,559 S 12/1995 Fathi
5,504,812 A 4/1996 Vangarde
D394,437 S 5/1998 Landreth et al.
D404,734 S 1/1999 Andrea
D410,921 S 6/1999 Luchs et al.

(Continued)

FOREIGN PATENT DOCUMENTS

EM 008268031-0001 * 11/2020
EM 008756761-0001 11/2020

(Continued)

Primary Examiner — Paula Allen Greene

(74) *Attorney, Agent, or Firm* — Hamre, Schumann,
Mueller & Larson, P.C.

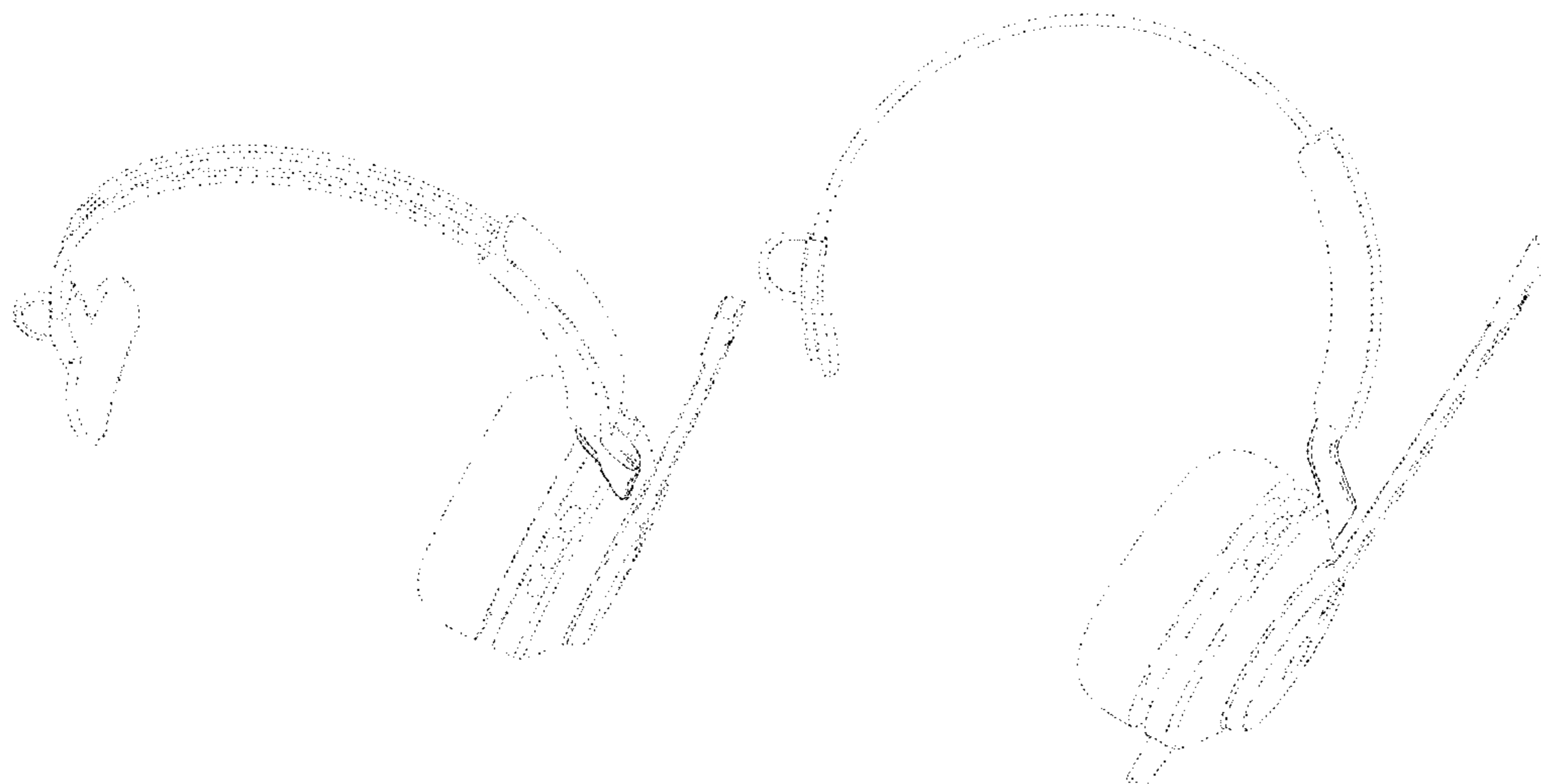
(57) **CLAIM**

The ornamental design for a headphones, as shown and described.

DESCRIPTION

FIG. 1 is a perspective top view of the headphones.
FIG. 2 is a front view thereof.
FIG. 3 is a rear view thereof.
FIG. 4 is a right view thereof.
FIG. 5 is a left view thereof.
FIG. 6 is a top view thereof; and,
FIG. 7 is a bottom view thereof.
The distal end of the headband, away from the ear piece, is a mirror image left/right.
The features shown in broken lines depict environmental subject matter only and form no part of the claimed design.

1 Claim, 6 Drawing Sheets



(56)

References Cited

U.S. PATENT DOCUMENTS

6,154,539 A 11/2000 Pitel
D436,348 S 1/2001 McGugan
6,622,029 B1 9/2003 Skulley et al.
D482,019 S 11/2003 Petersen et al.
D488,146 S 4/2004 Minto
D494,957 S 8/2004 Rath et al.
D498,470 S 11/2004 Skulley et al.
D505,413 S 5/2005 Skulley et al.
6,970,572 B2 11/2005 Murozaki et al.
D514,086 S 1/2006 Skulley
D517,528 S 3/2006 Skulley
D518,479 S 4/2006 Skulley
D531,165 S 10/2006 Rath
D535,285 S 1/2007 Skulley
D538,785 S 3/2007 Skulley
D540,778 S 4/2007 Thompson et al.
D549,688 S * 8/2007 Suzuki D14/205
D587,684 S 3/2009 Ham et al.
D588,098 S * 3/2009 Kurihara D14/205
7,519,196 B2 4/2009 Bech
D601,543 S 10/2009 Bentley
D602,001 S 10/2009 Bentley
D602,906 S 10/2009 Groves et al.
D603,370 S * 11/2009 Suzuki D14/205
D604,266 S 11/2009 Milde et al.
D606,048 S 12/2009 Soetejo et al.
D612,835 S 3/2010 Yang et al.
D612,840 S 3/2010 Yang et al.
D617,769 S 6/2010 Birger
D625,705 S 10/2010 Ohori et al.
D628,189 S 11/2010 Rath
D632,668 S 2/2011 Brunner et al.
D634,732 S * 3/2011 Kondo D14/205
D635,962 S 4/2011 Kelley
D638,000 S 5/2011 Hoggarth
D639,776 S 6/2011 Arimoto
D641,003 S * 7/2011 Alden D14/205
D641,337 S 7/2011 Brandis
D643,405 S 8/2011 Rath
D644,625 S 9/2011 Iseki
D653,649 S 2/2012 Yang et al.
D654,471 S 2/2012 Fischer
D654,472 S 2/2012 Fischer
D657,776 S 4/2012 Lee et al.
D660,824 S 5/2012 Hardi et al.
D662,080 S * 6/2012 Carr D14/205
D666,168 S 8/2012 Rath
D668,240 S 10/2012 Brandis
D671,914 S 12/2012 Lee et al.
D673,136 S 12/2012 Kelly et al.
D673,524 S 1/2013 Brennwald
D675,595 S 2/2013 Cho et al.
D684,145 S 6/2013 Rath
D684,559 S 6/2013 Groset
D689,843 S 9/2013 Lee
D691,110 S 10/2013 Ham et al.
D691,984 S 10/2013 Wang
D692,410 S 10/2013 Brunner et al.
D707,655 S 6/2014 Porter
D709,860 S 7/2014 Brunner et al.
8,774,442 B2 * 7/2014 Huang H04R 1/1066
381/376

D716,258 S 10/2014 Awiszus et al.
D716,259 S 10/2014 Awiszus et al.
D724,561 S * 3/2015 Ko D14/205
D725,630 S 3/2015 Nakagawa
D727,286 S * 4/2015 Galler D14/205
D732,002 S 6/2015 Goransson
D739,842 S * 9/2015 Birger D14/205
D759,626 S * 6/2016 Wagner D14/205
D760,690 S 7/2016 Gecawicz et al.
9,426,554 B2 8/2016 Dai et al.
D769,219 S 10/2016 Ohmachi
D775,104 S 12/2016 Lee et al.
D777,701 S * 1/2017 Czaniecki D14/205
D806,676 S 1/2018 Fuglsng
D822,638 S 7/2018 Liu
D842,267 S * 3/2019 Pedersen D14/205
D851,628 S 6/2019 Wernblad
D851,629 S 6/2019 Summerson
D852,776 S 7/2019 Zhu
D854,513 S * 7/2019 Miyake D14/206
D875,073 S 2/2020 Pedersen
D877,714 S * 3/2020 Dhondt D14/205
D881,843 S 4/2020 Hu
D885,364 S 5/2020 Paterson
D886,078 S 6/2020 He
D889,402 S 7/2020 Lim
D891,399 S 7/2020 Chen
D893,454 S 8/2020 Li
D895,570 S * 9/2020 Choi D14/205
D896,203 S 9/2020 Tong
D897,309 S * 9/2020 Cho D14/205
D898,701 S 10/2020 Zhong
D913,988 S 3/2021 Bellham
D914,637 S * 3/2021 Shen D14/206
D924,840 S * 7/2021 Pedersen D14/205
D927,457 S * 8/2021 Su D14/206
D927,458 S * 8/2021 Su D14/206
D927,459 S * 8/2021 Su D14/206
D928,114 S * 8/2021 Terazaki D14/205
D944,765 S * 3/2022 Bellham D14/206
D951,907 S * 5/2022 Bellham D14/206
D952,599 S * 5/2022 Bellham D14/206
D952,600 S * 5/2022 Bellham D14/206
D956,013 S * 6/2022 Bellham D14/206
2010/0040252 A1 2/2010 Thompson et al.
2011/0135134 A1 6/2011 Essabar et al.
2011/0142249 A1 * 6/2011 Shinozaki H04R 1/1091
381/384
2011/0306393 A1 12/2011 Goldman et al.
2012/0163616 A1 6/2012 Birch
2014/0153766 A1 * 6/2014 Huang H04R 1/1066
381/378
2016/0198254 A1 7/2016 Gecawicz et al.
2020/0288234 A1 9/2020 Fletcher et al.

FOREIGN PATENT DOCUMENTS

EM 008534135-0001 5/2021
EM 008703508-0002 9/2021
EM 008867790-0001 * 2/2022
GB 9007 481221-0005 1/2020
GB 9007481221-0005 * 1/2020
JP D1529614 * 6/2015

* cited by examiner

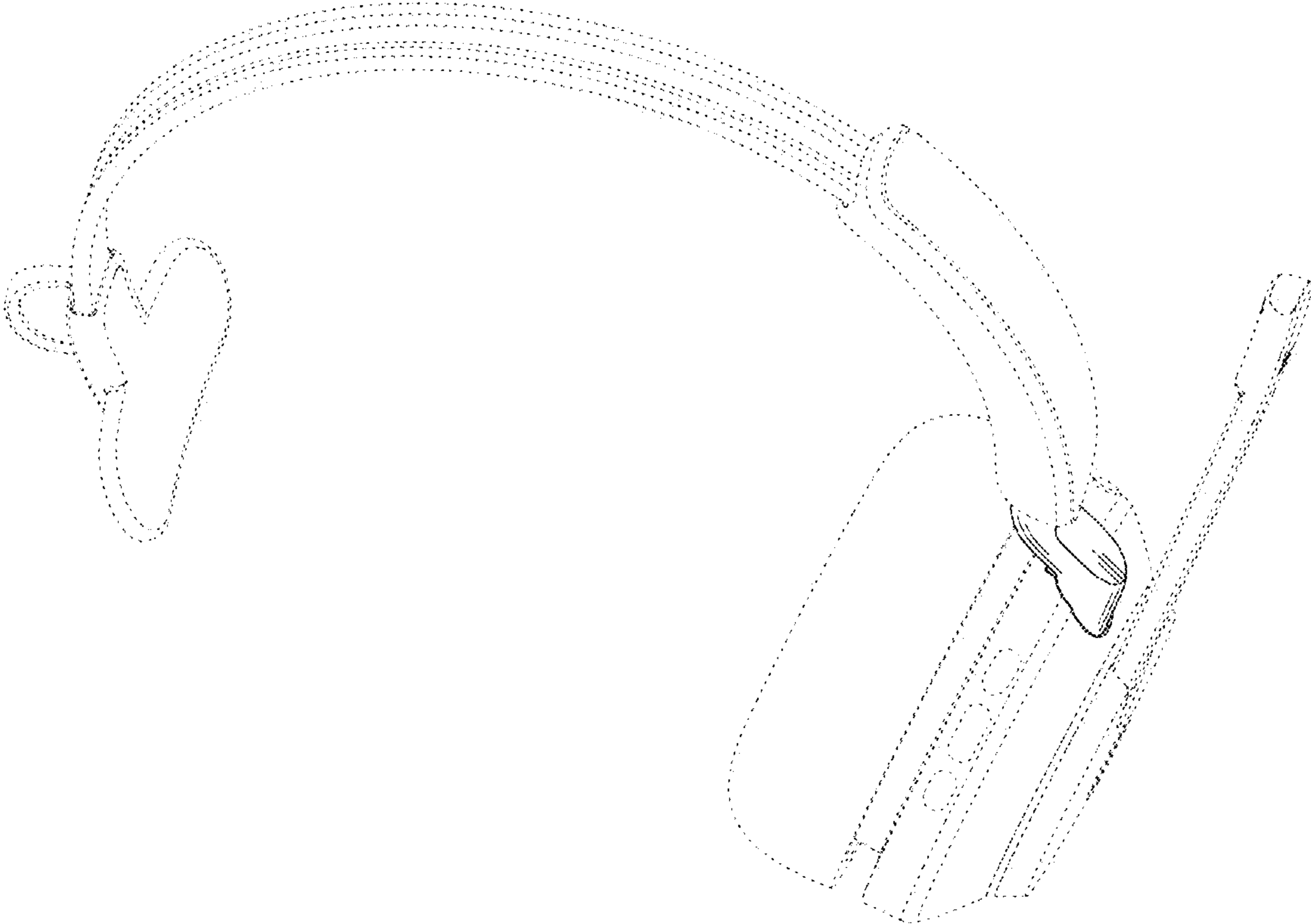


FIG. 1

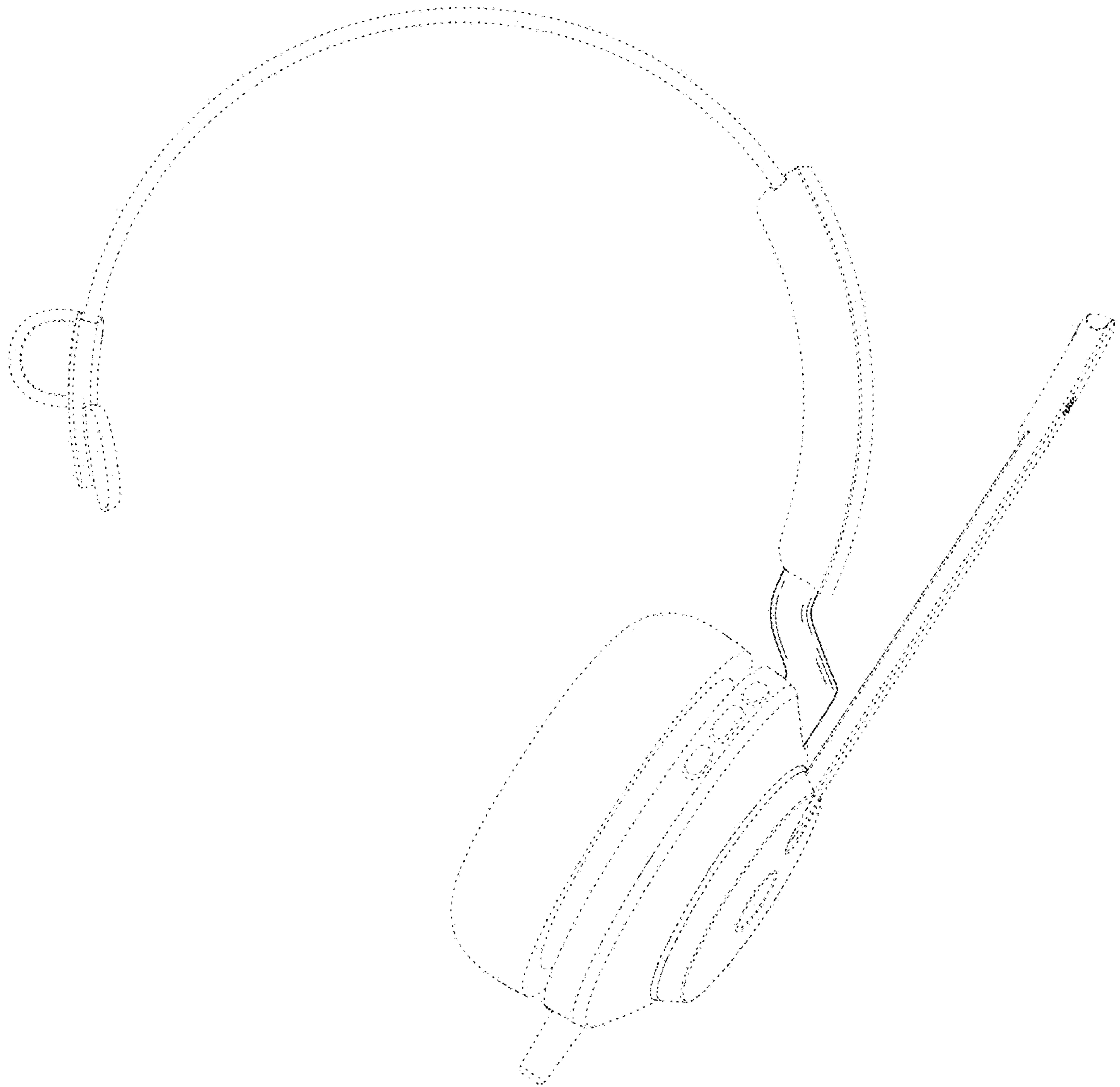


FIG. 2

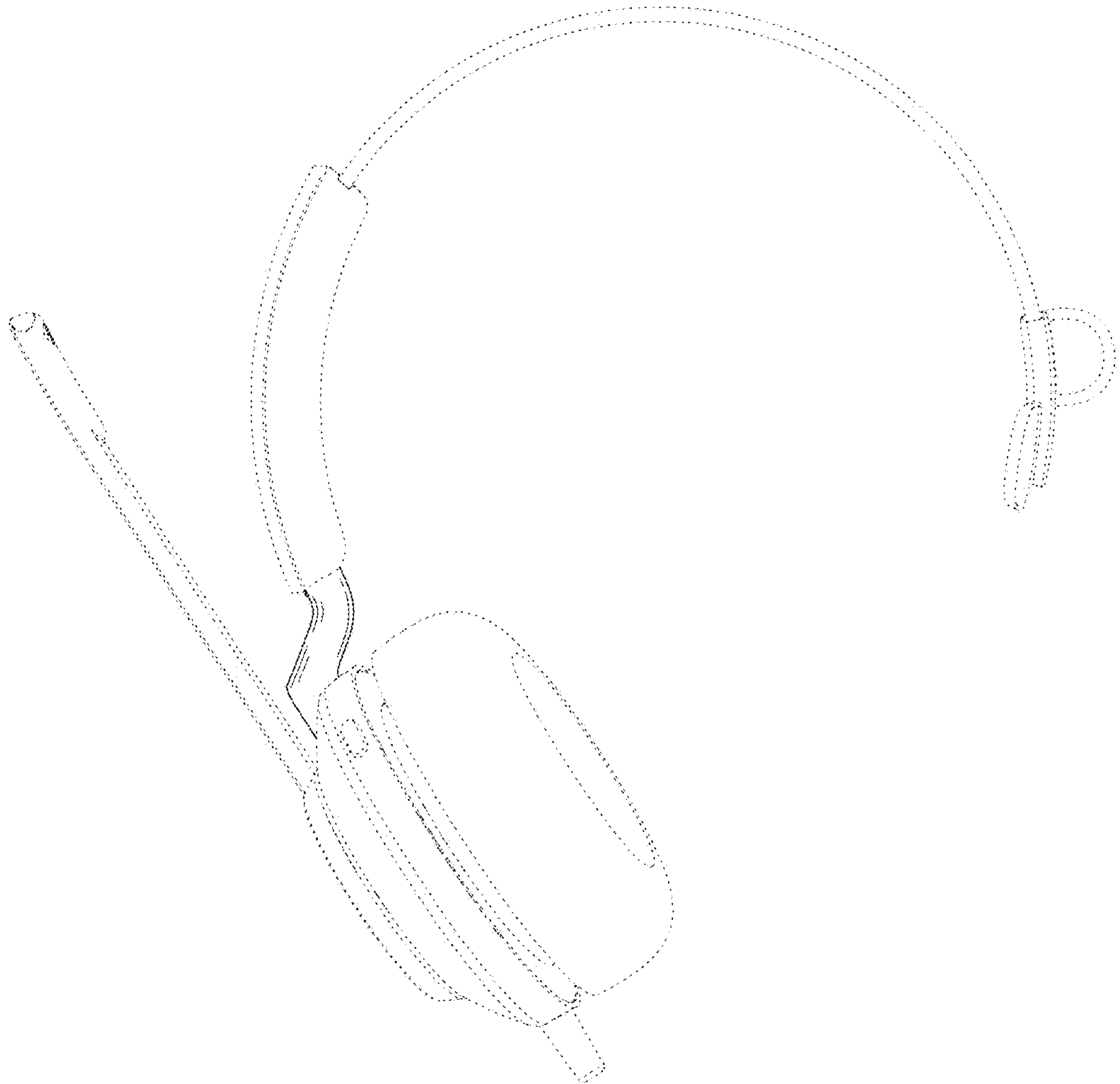


FIG. 3

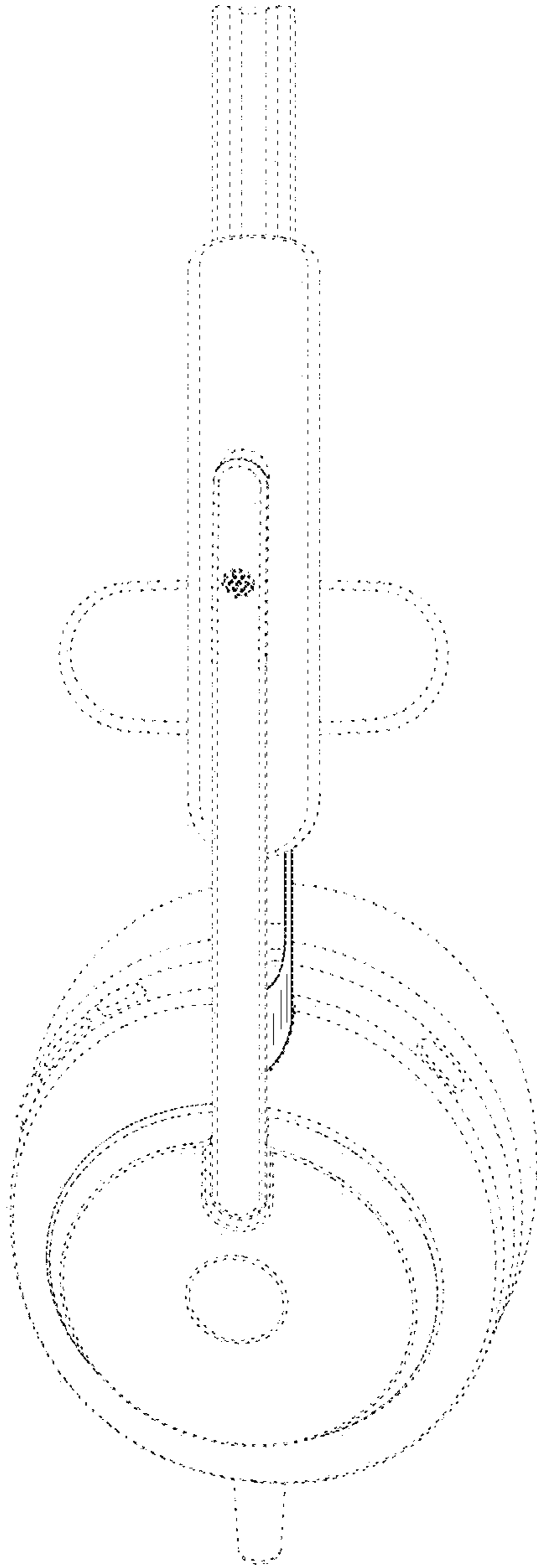


FIG. 4

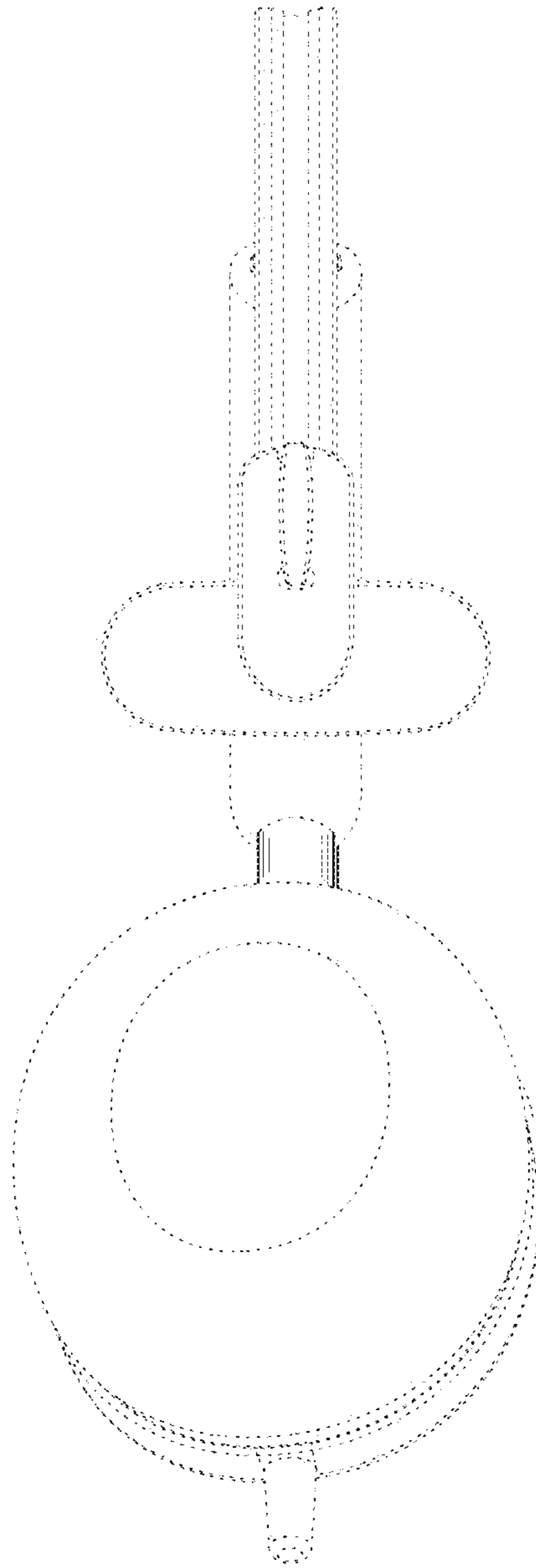


FIG. 5

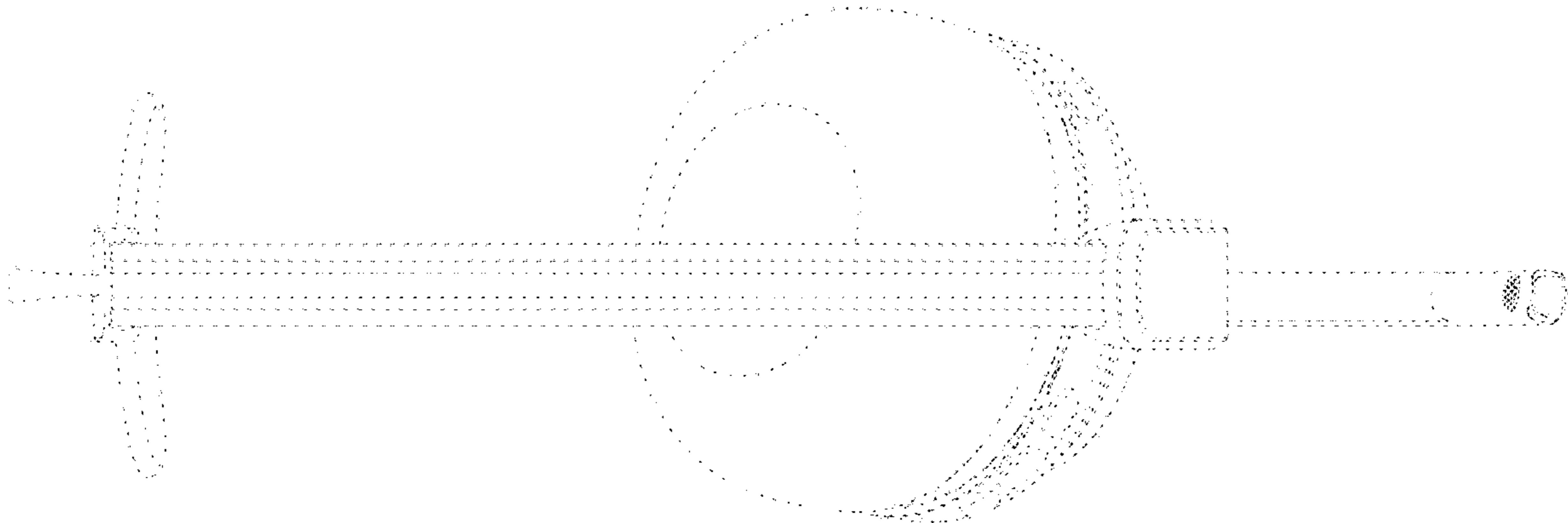


FIG. 6

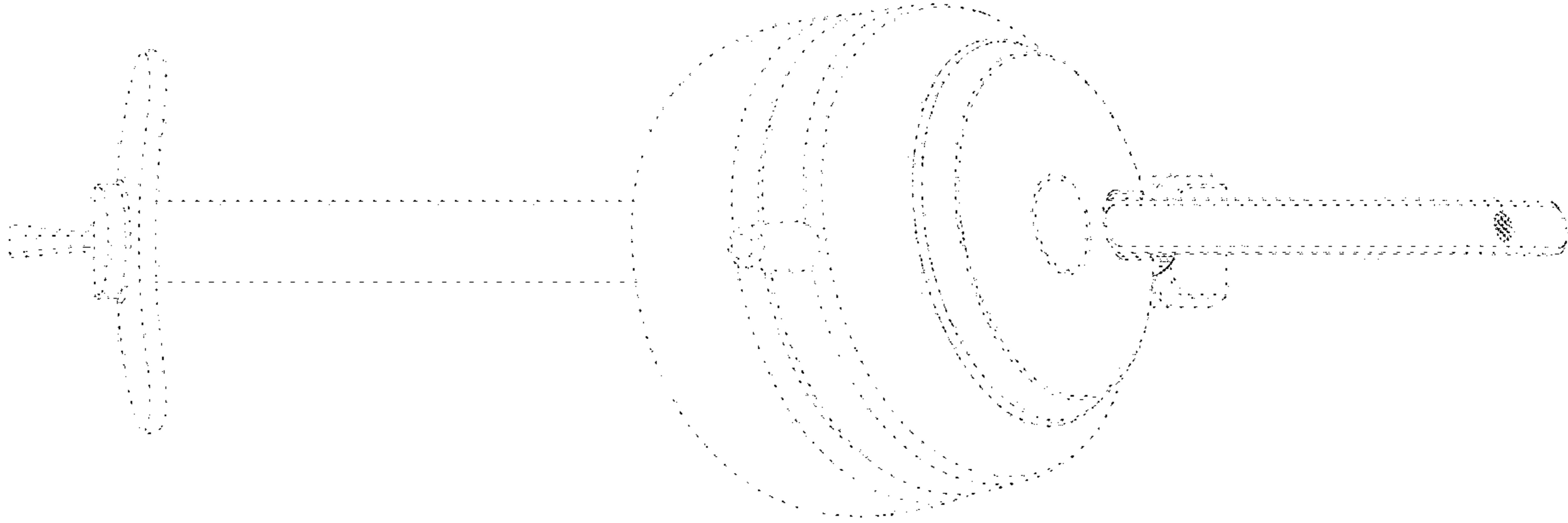


FIG. 7