

US00D980187S

(12) **United States Design Patent** (10) **Patent No.:** **US D980,187 S**  
**Su** (45) **Date of Patent:** **\*\* Mar. 7, 2023**

(54) **EARPHONE**  
(71) Applicant: **Shenzhen Arington Technology Co., Ltd., Shenzhen (CN)**  
(72) Inventor: **Xiaoyong Su, Hanzhong (CN)**  
(73) Assignee: **Shenzhen Arington Technology Co., Ltd., Shenzhen (CN)**  
(\*\*) Term: **15 Years**  
(21) Appl. No.: **29/812,774**  
(22) Filed: **Oct. 25, 2021**  
(51) **LOC (14) Cl.** ..... **14-01**  
(52) **U.S. Cl.**  
USPC ..... **D14/205**  
(58) **Field of Classification Search**  
USPC ..... D14/204–206, 223; D13/108  
CPC .. H04R 1/1083; H04R 1/1041; H04R 1/1016;  
H04R 5/0335; H04R 1/1066; H02J  
7/0044  
See application file for complete search history.

D695,264 S \* 12/2013 Chee ..... D14/205  
D707,199 S \* 6/2014 Ceyress ..... H04R 1/10  
D14/205  
D713,375 S 9/2014 Dedinas  
(Continued)

**FOREIGN PATENT DOCUMENTS**

CN 307048352 \* 1/2022  
CN 307266128 \* 4/2022

**OTHER PUBLICATIONS**

10 best bone conducting headphones, headphonesty website article 2022, site visited Jul. 15, 2022, <https://www.headphonesty.com/2019/04/best-bone-conduction-headphones/>.\*

*Primary Examiner* — John R Yeh  
(74) *Attorney, Agent, or Firm* — Georgi Korobanov

(57) **CLAIM**

The ornamental design for a earphone, as shown and described.

**DESCRIPTION**

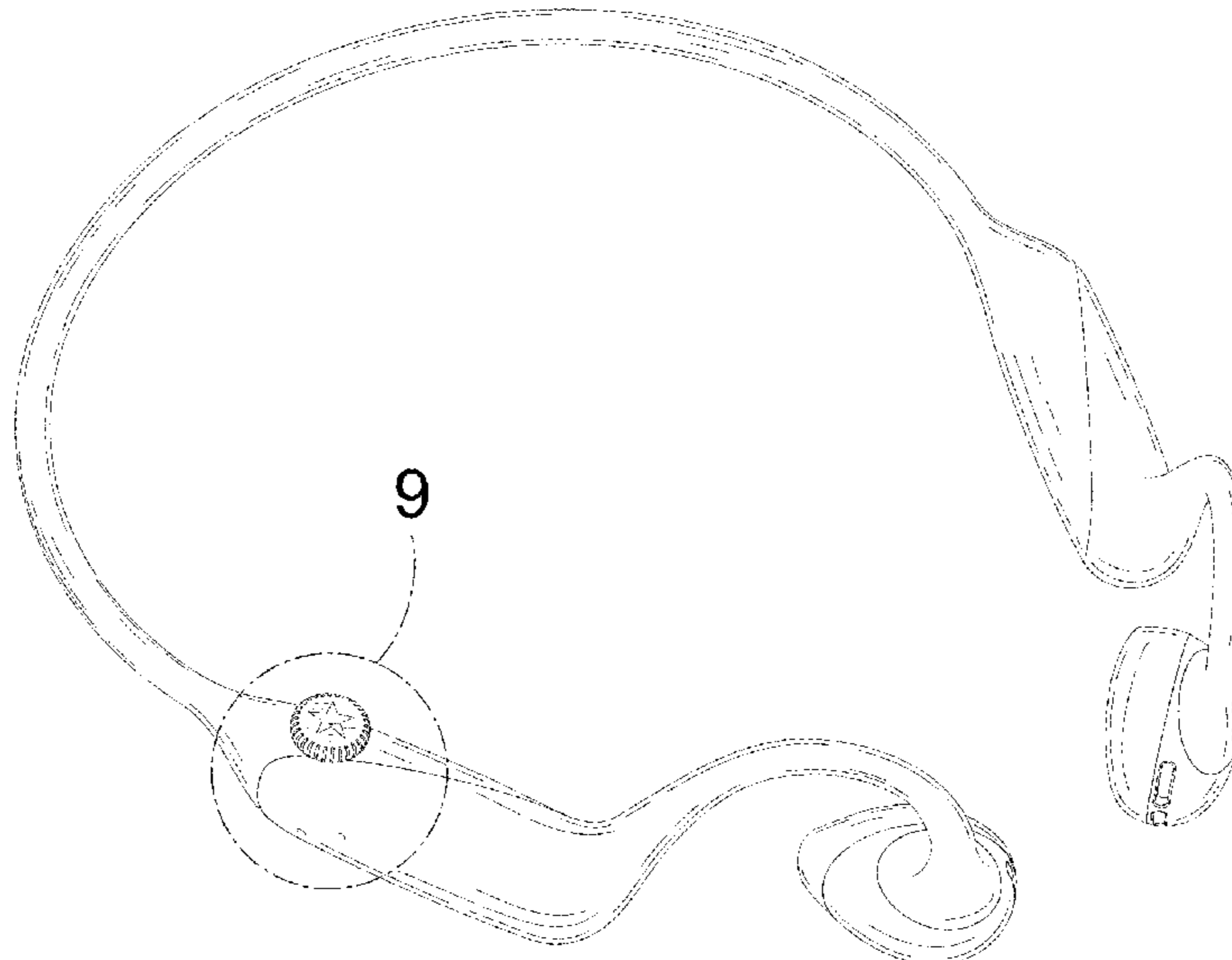
FIG. 1 is a perspective view of a earphone showing my new design;  
FIG. 2 is another perspective view thereof;  
FIG. 3 is a front elevational view;  
FIG. 4 is a rear elevational view thereof;  
FIG. 5 is a left side view thereof;  
FIG. 6 is a right side view thereof;  
FIG. 7 is a top plan view thereof;  
FIG. 8 is a bottom plan view thereof;  
FIG. 9 is an enlarged view taken from the indication in FIG. 1; and,  
FIG. 10 is an enlarged view taken from the indication in FIG. 2.  
The evenly dashed broken lines in the drawings depict portions of earphone that form no part of the claimed design. The dot-dash lines indicate the enlarged view areas and form no part of the claimed design.

**1 Claim, 10 Drawing Sheets**

(56) **References Cited**

**U.S. PATENT DOCUMENTS**

5,457,751 A \* 10/1995 Such ..... H04R 1/1058  
381/381  
D404,035 S \* 1/1999 Delazzer ..... D14/206  
D426,880 S \* 6/2000 Leight ..... D24/106  
6,154,539 A \* 11/2000 Pitel ..... H04M 1/05  
379/430  
D468,723 S 1/2003 Pham et al.  
D488,460 S 4/2004 Alwicker  
D558,735 S 1/2008 Carr  
D565,026 S \* 3/2008 Brennwald ..... D14/205  
D617,308 S \* 6/2010 Nousiainen ..... D14/205  
D669,881 S \* 10/2012 Clements ..... D14/205  
D671,915 S \* 12/2012 Birger ..... D14/206  
D678,856 S \* 3/2013 Feng ..... D14/205  
D691,105 S \* 10/2013 Ito ..... D14/205



(56)

**References Cited**

U.S. PATENT DOCUMENTS

D717,765	S *	11/2014	Rausch	.....	D14/205
D740,785	S	10/2015	Chen		
D769,220	S	10/2016	Burgett		
D790,501	S *	6/2017	Wang	.....	D14/205
D791,100	S *	7/2017	Chen	.....	D14/205
D810,719	S	2/2018	Nagamine		
D812,035	S	3/2018	Petersen		
D829,190	S *	9/2018	Bullen	.....	D14/205
D837,184	S	1/2019	Zhu		
D842,837	S *	3/2019	Li	.....	D14/205
D869,435	S *	12/2019	Sanhua	.....	D14/205
D875,710	S *	2/2020	Bailey	.....	D14/205
D926,731	S	8/2021	Deng		
D953,287	S *	5/2022	Wu	.....	D14/205
2009/0185699	A1 *	7/2009	Kim	.....	H04R 1/1066 381/151
2012/0140974	A1 *	6/2012	Danielson	.....	H04R 1/1066 381/379
2014/0185837	A1 *	7/2014	Kunimoto	.....	H04R 1/1075 381/151
2019/0029529	A1 *	1/2019	Haartsen	.....	A61B 5/721
2020/0084546	A1 *	3/2020	Mainini	.....	H04R 1/1016

\* cited by examiner

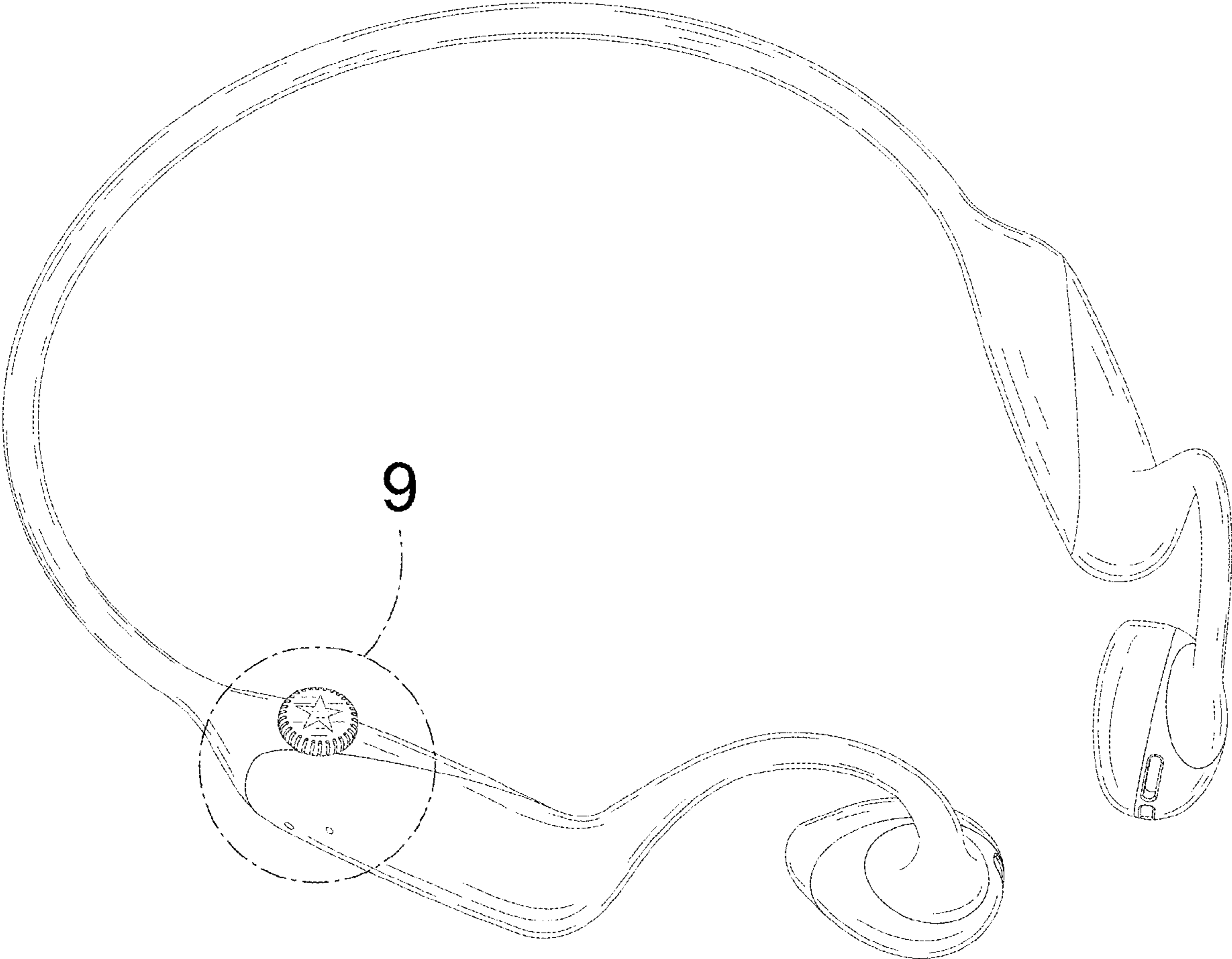


FIG. 1

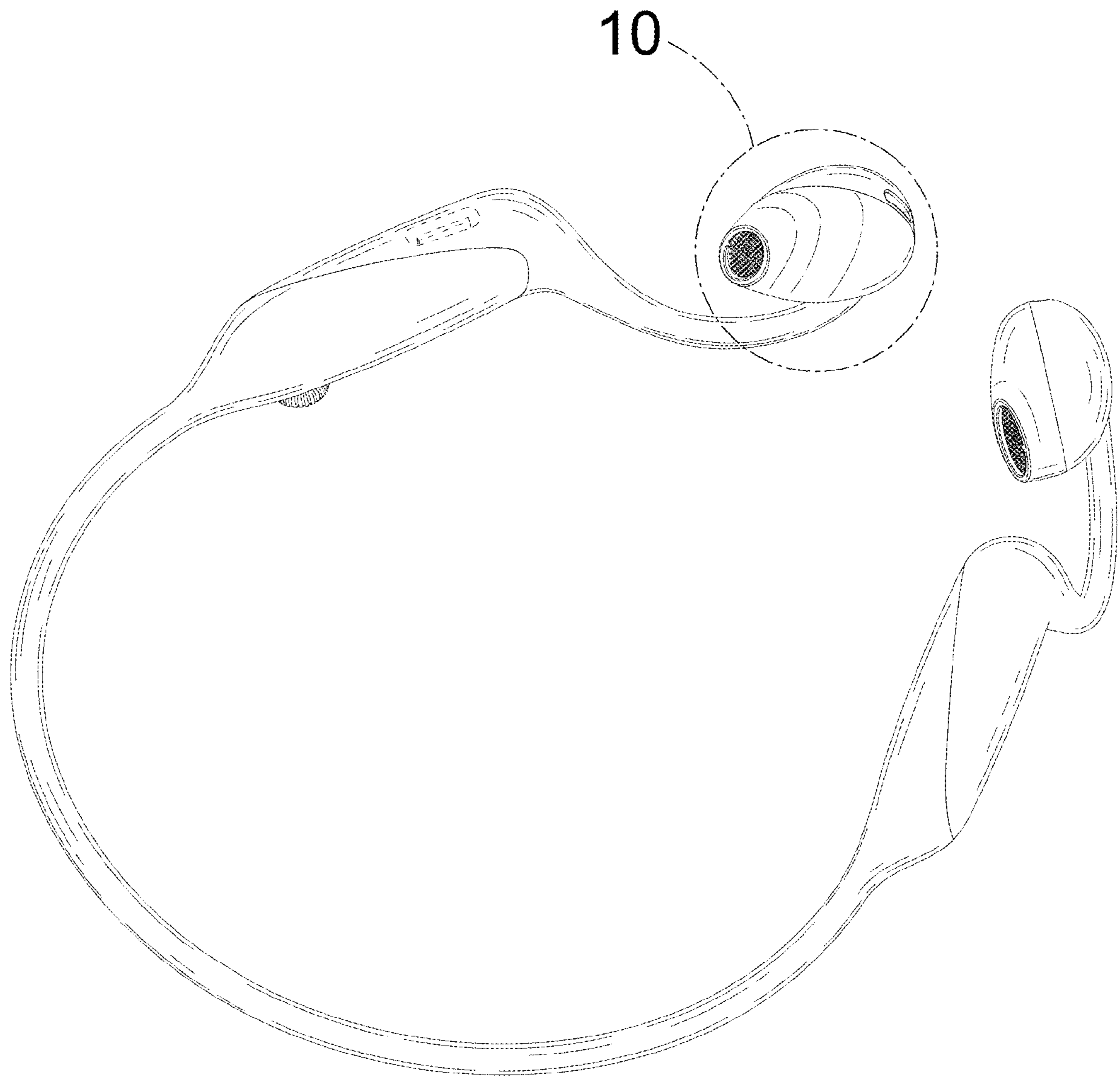


FIG. 2

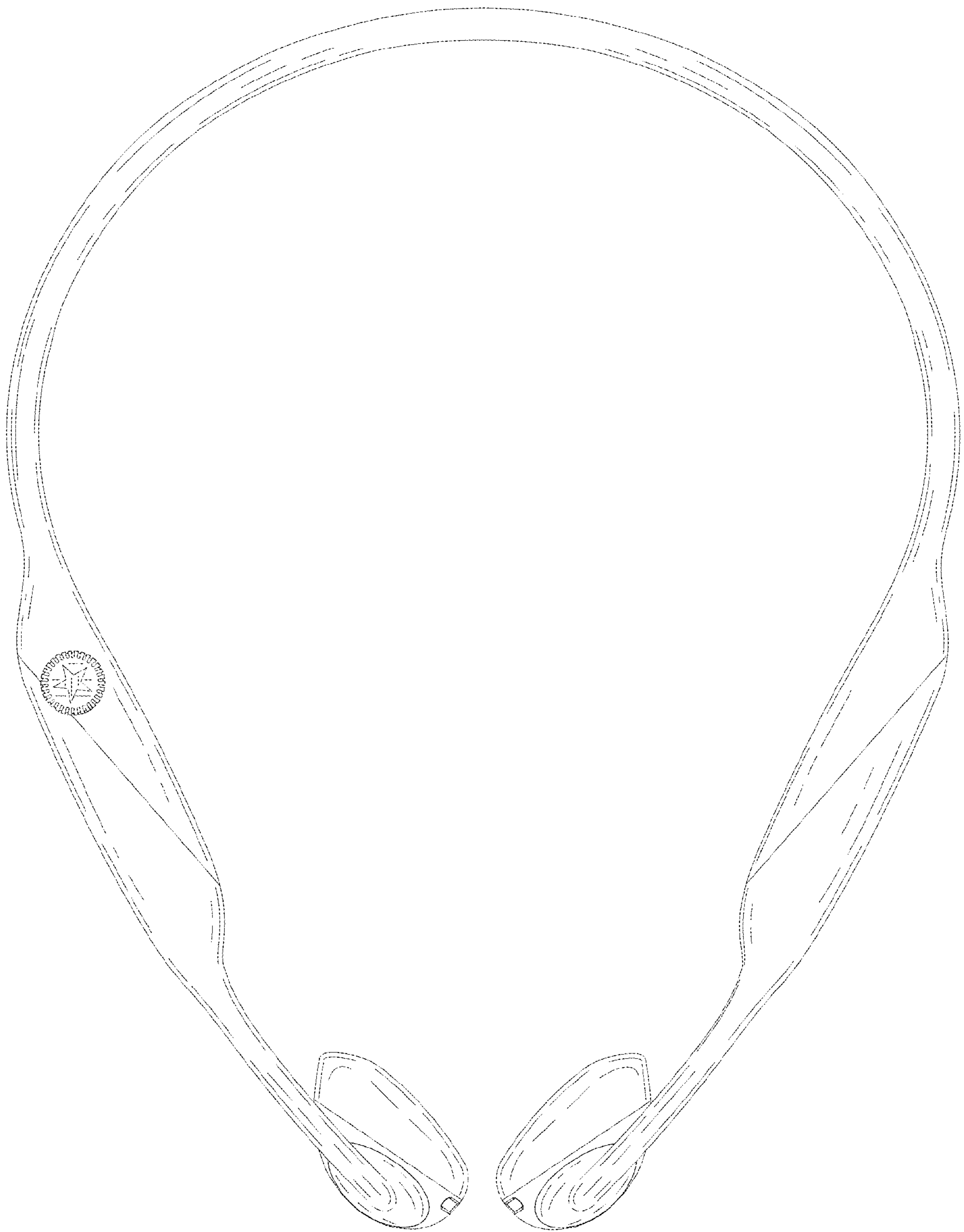


FIG. 3



FIG. 4

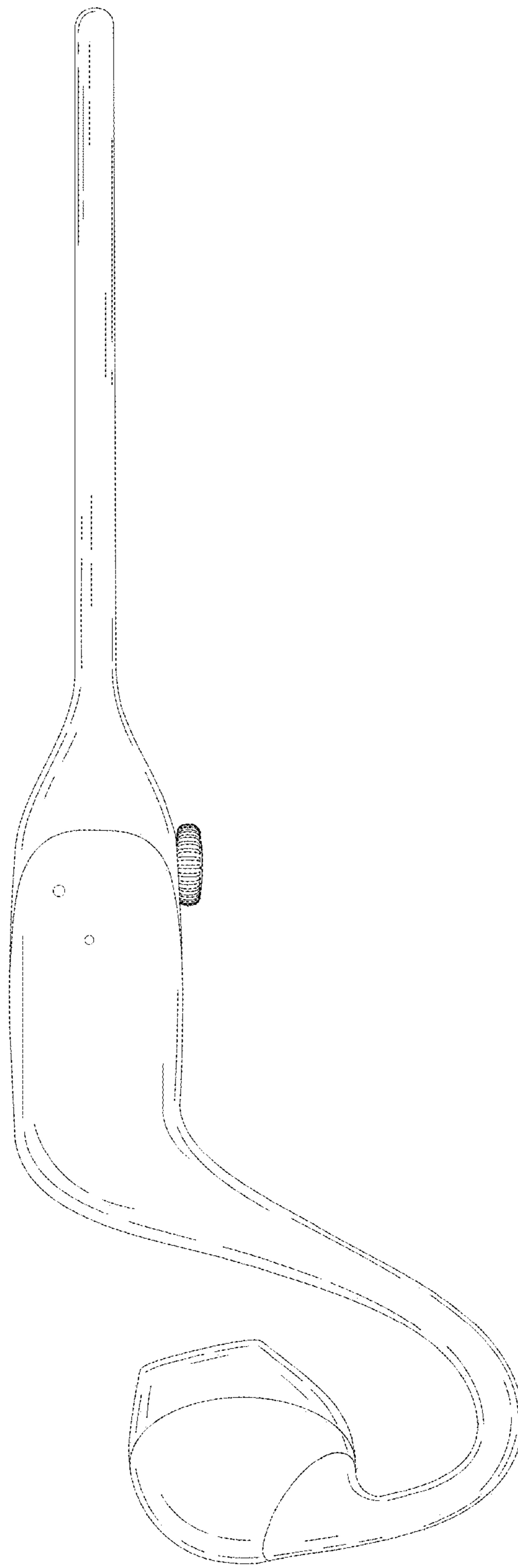


FIG. 5

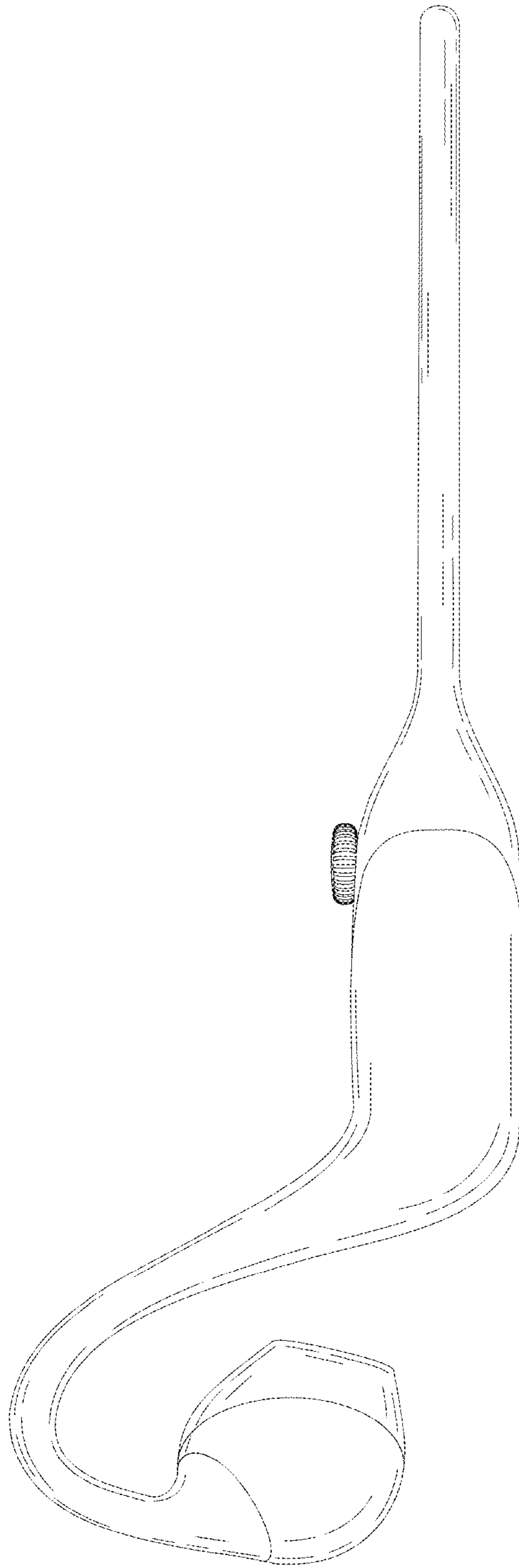


FIG. 6



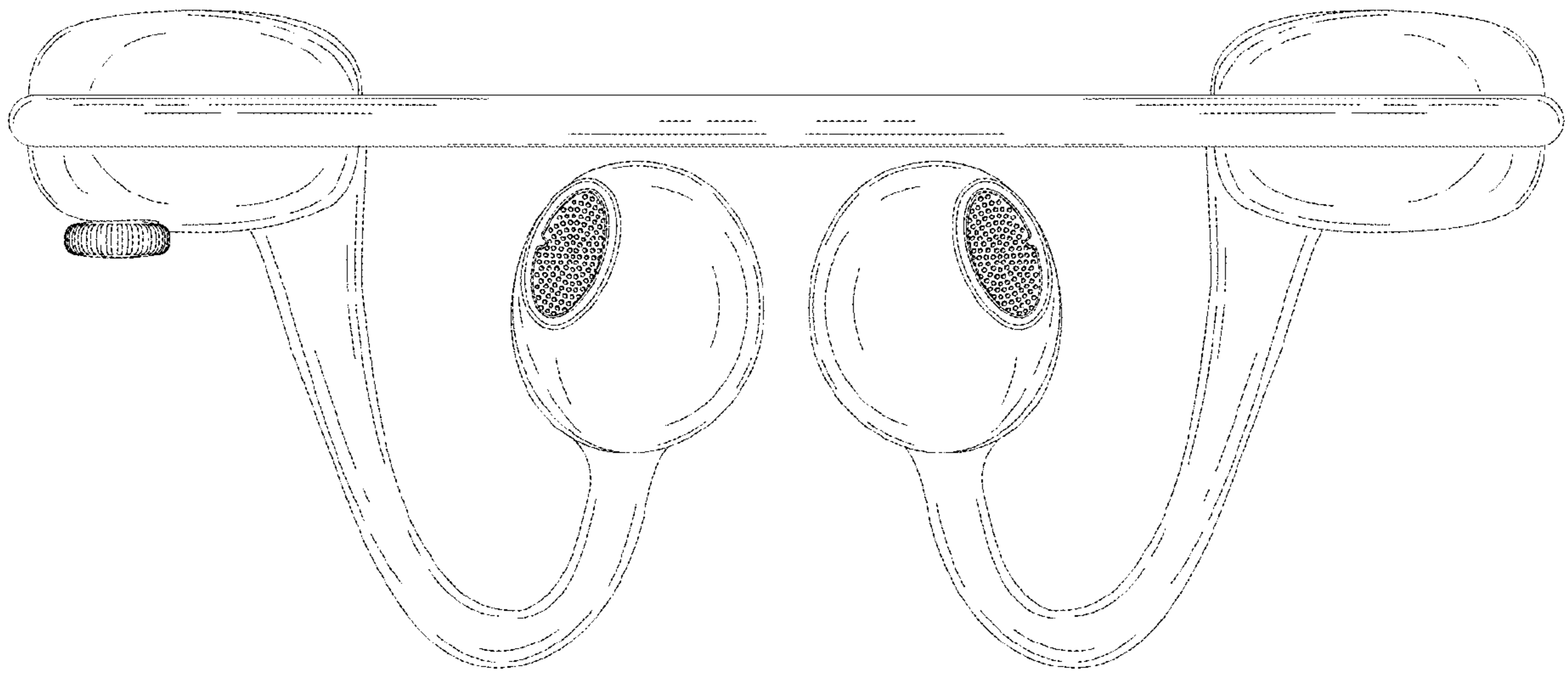


FIG. 7

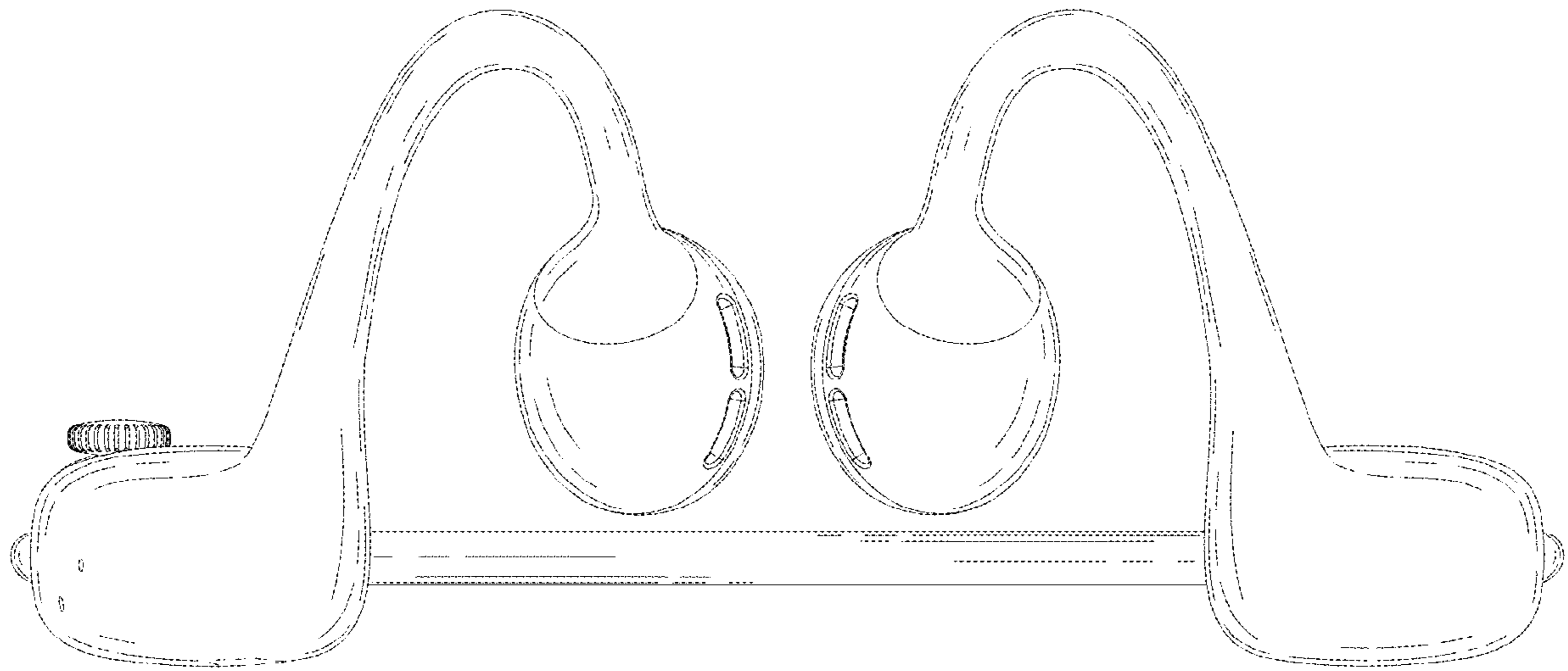


FIG. 8

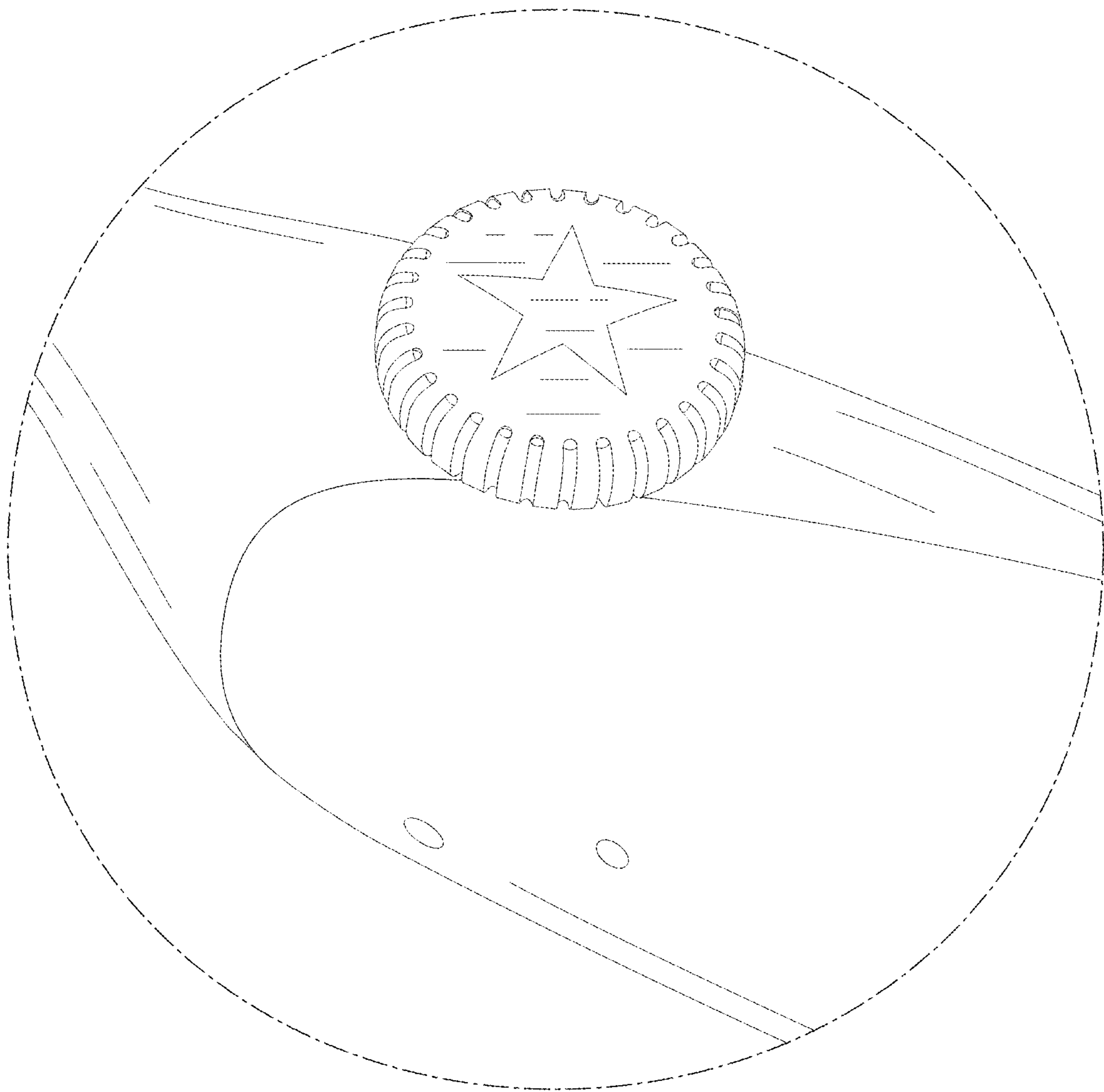


FIG. 9

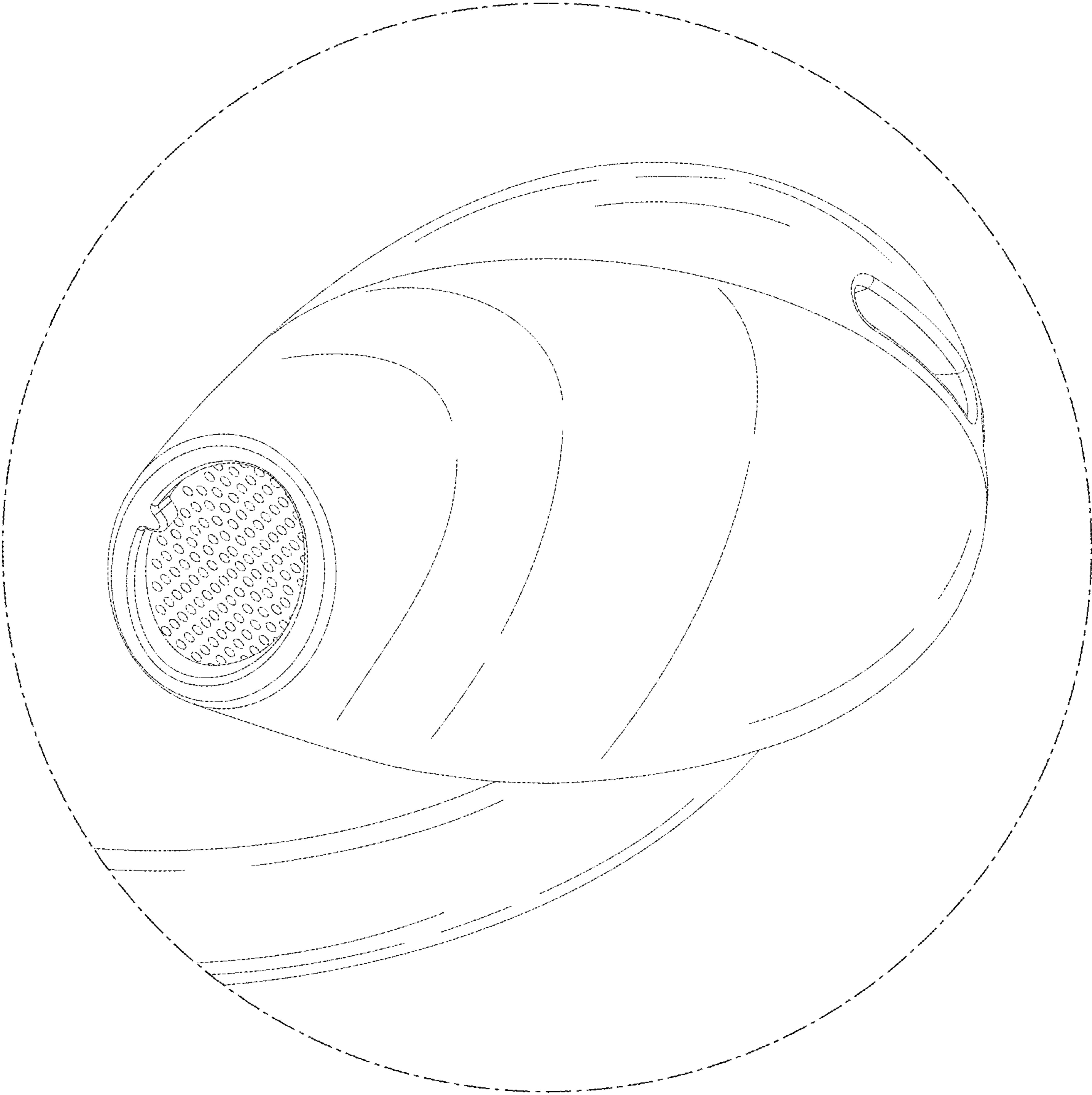


FIG. 10