



US00D980186S

(12) **United States Design Patent**
Zheng

(10) **Patent No.:** **US D980,186 S**
(45) **Date of Patent:** **** Mar. 7, 2023**

- (54) **AUDIO HEADSET**
- (71) Applicant: **YI ZHAO (SHENZHEN) CO., LIMITED**, Shenzhen (CN)
- (72) Inventor: **Mingxun Zheng**, Yanji (CN)
- (73) Assignee: **YI ZHAO (SHENZHEN) CO., LIMITED**, Shenzhen (CN)
- (**) Term: **15 Years**

- D677,243 S * 3/2013 Kitayama D14/205
- D706,240 S * 6/2014 Szymanski H04R 1/1066
D14/205
- D706,241 S * 6/2014 Szymanski H04R 1/1066
D14/205
- D708,164 S * 7/2014 Ishikura D14/205
- D721,052 S * 1/2015 Carr D14/205
- D722,998 S * 2/2015 Sancho D14/205
- D727,280 S * 4/2015 Levine D14/205
- D727,281 S * 4/2015 Levine D14/205
- D728,512 S * 5/2015 Nakagawa D14/205
- D729,194 S * 5/2015 Boeckel D14/205
- D733,090 S * 6/2015 Petersen D14/205

(Continued)

(21) Appl. No.: **29/785,494**

(22) Filed: **May 26, 2021**

(51) **LOC (14) Cl.** **14-01**

(52) **U.S. Cl.**
USPC **D14/205**

(58) **Field of Classification Search**
USPC D14/205, 206, 188, 192; D29/112;
2/209; 381/380-381, 374
CPC H04R 25/00; H04R 25/02; H04R 1/1016;
H04R 1/1066; H04R 5/033; H04R
5/0335; H04R 1/1058; H04R 1/1083;
H04R 1/1091
See application file for complete search history.

(56) **References Cited**

U.S. PATENT DOCUMENTS

- 2,875,543 A * 3/1959 Sylvester B44F 1/00
264/293
- 2,958,148 A * 11/1960 Sylvester B44F 3/00
264/293
- D369,604 S * 5/1996 Morimiya D14/205
- D391,573 S * 3/1998 Nakamura D14/205
- D431,550 S * 10/2000 Yoneda D14/205
- 7,457,649 B1 * 11/2008 Wilson H04R 1/1025
381/374
- D585,871 S * 2/2009 Lee D14/205
- D585,872 S * 2/2009 Lee D14/205
- D594,847 S * 6/2009 Suzuki D14/205
- D637,579 S * 5/2011 Hamaura D14/205

FOREIGN PATENT DOCUMENTS

EM 008733216-0001 * 10/2021

Primary Examiner — Paula Allen Greene

(57) **CLAIM**

The ornamental design for an audio headset, as shown and described.

DESCRIPTION

FIG. 1 is a perspective view of an audio headset showing my new design;
 FIG. 2 is another perspective view thereof;
 FIG. 3 is a front elevational view thereof;
 FIG. 4 is a rear elevational view thereof;
 FIG. 5 is a left side elevational view thereof;
 FIG. 6 is a right side elevational view thereof;
 FIG. 7 is a top plan view thereof;
 FIG. 8 is a bottom plan view thereof; and,
 FIG. 9 is an enlarged view of portion 9 shown in FIG. 1.
 The broken lines in the drawings depict portions of the audio headset that form no part of the claimed design.
 The dot dash broken lines surrounding a portion of the audio headset in FIG. 1 and illustrated in the enlarged view of FIG. 9 form no part of the claimed design.

1 Claim, 9 Drawing Sheets



(56)

References Cited

U.S. PATENT DOCUMENTS

D733,092 S * 6/2015 Gan D14/205
 D736,174 S * 8/2015 Levine D14/205
 D739,842 S * 9/2015 Birger D14/205
 D741,842 S * 10/2015 Levine D14/226
 D761,761 S * 7/2016 Ando D14/205
 D762,190 S * 7/2016 Levine D14/205
 D762,191 S * 7/2016 Levine D14/205
 D767,531 S * 9/2016 Szymanski D14/205
 D772,841 S * 11/2016 Levine D14/205
 D781,265 S * 3/2017 Levine D14/205
 D781,814 S * 3/2017 Levine D14/205
 D794,603 S * 8/2017 Riggs D14/205
 D800,691 S * 10/2017 Ando D14/205
 D805,056 S * 12/2017 Levine D14/205
 D811,363 S * 2/2018 He D14/205
 D811,364 S * 2/2018 Park D14/205
 D812,588 S * 3/2018 Levine D14/225
 D813,194 S * 3/2018 Loh D14/205
 D826,208 S * 8/2018 Czaniecki D14/205
 D832,811 S * 11/2018 Levine D14/205
 D832,813 S * 11/2018 Levine D14/205
 D849,713 S * 5/2019 Hänggi D14/205
 D851,627 S * 6/2019 ter Laag D14/205
 D852,163 S * 6/2019 Nagamine D14/205
 D852,166 S * 6/2019 Levine D14/205
 D852,777 S * 7/2019 Park D14/206

D857,654 S * 8/2019 Levine D14/205
 D858,481 S * 9/2019 Saule D14/205
 D858,483 S * 9/2019 Hu D14/205
 D859,353 S * 9/2019 Wagner D14/205
 D859,354 S * 9/2019 Xia D14/205
 D865,706 S * 11/2019 Li D14/205
 D871,367 S * 12/2019 Zhijun D14/205
 D878,329 S * 3/2020 Levine D14/205
 D879,741 S * 3/2020 Hu D14/205
 D880,449 S * 4/2020 Hu D14/205
 D885,363 S * 5/2020 Li D14/205
 D893,453 S * 8/2020 Levine D14/205
 D917,420 S * 4/2021 Zheng D14/205
 D920,283 S * 5/2021 Levine D14/205
 D928,114 S * 8/2021 Terazaki D14/205
 D937,807 S * 12/2021 Tong D14/205
 D954,020 S * 6/2022 Wan D14/205
 2014/0363016 A1 * 12/2014 Blonder H03F 3/181
 381/74
 2015/0256918 A1 * 9/2015 Yuen H04R 1/1033
 381/378
 2017/0041696 A1 * 2/2017 Levine H04R 1/1033
 2017/0339479 A1 * 11/2017 Levine H04R 1/1016
 2018/0020277 A1 * 1/2018 Briggs H01Q 9/065
 2018/0020278 A1 * 1/2018 Levine H04R 1/1066
 2019/0156814 A1 * 5/2019 Eguchi G10K 11/17853
 2019/0387303 A1 * 12/2019 Levine H04R 1/1033
 2022/0180851 A1 * 6/2022 Reid H04R 1/1091
 2022/0225007 A1 * 7/2022 Mehandjiysky H04R 5/0335

* cited by examiner



FIG. 1

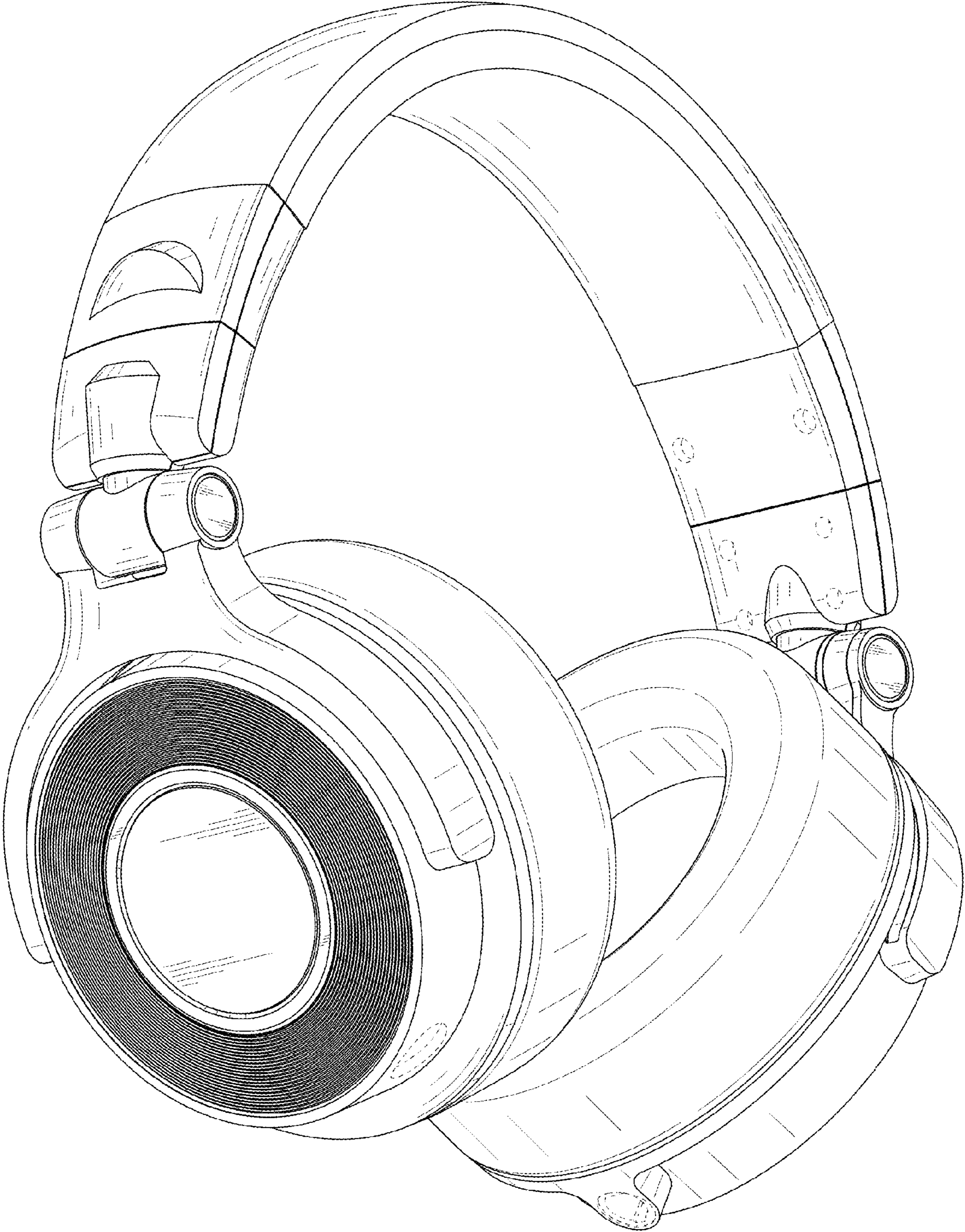


FIG. 2



FIG. 3



FIG. 4

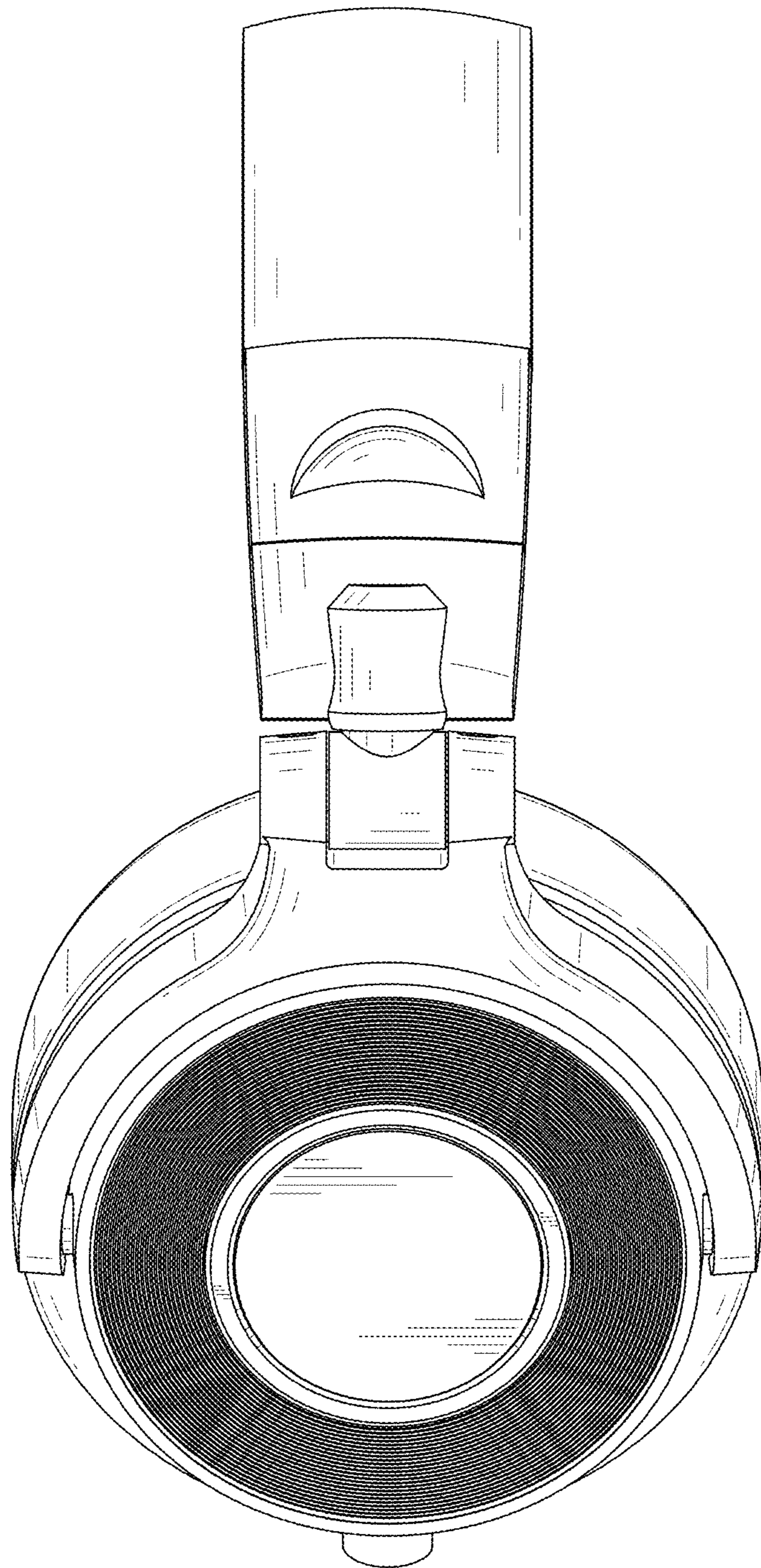


FIG. 5

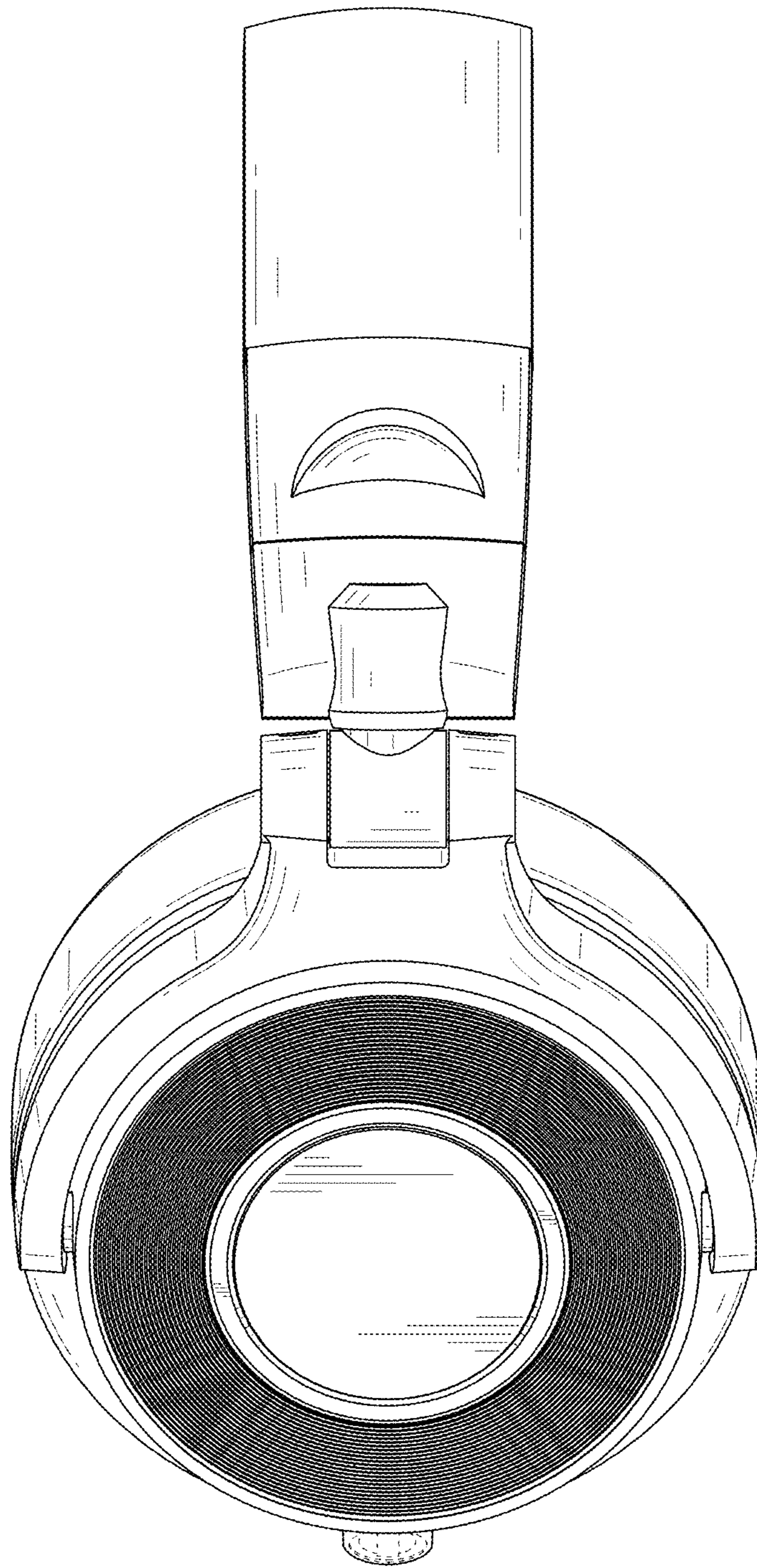


FIG. 6

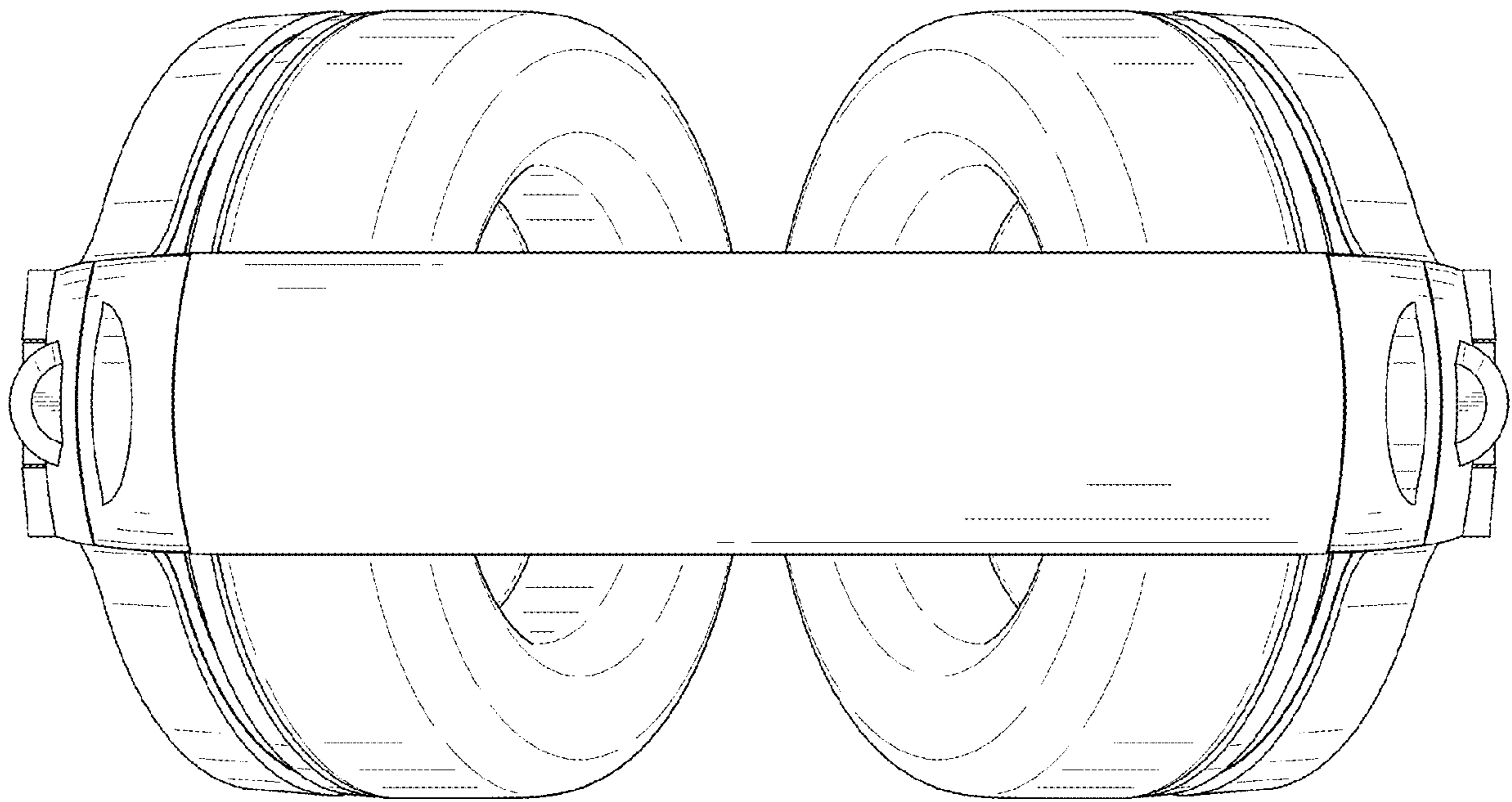


FIG. 7

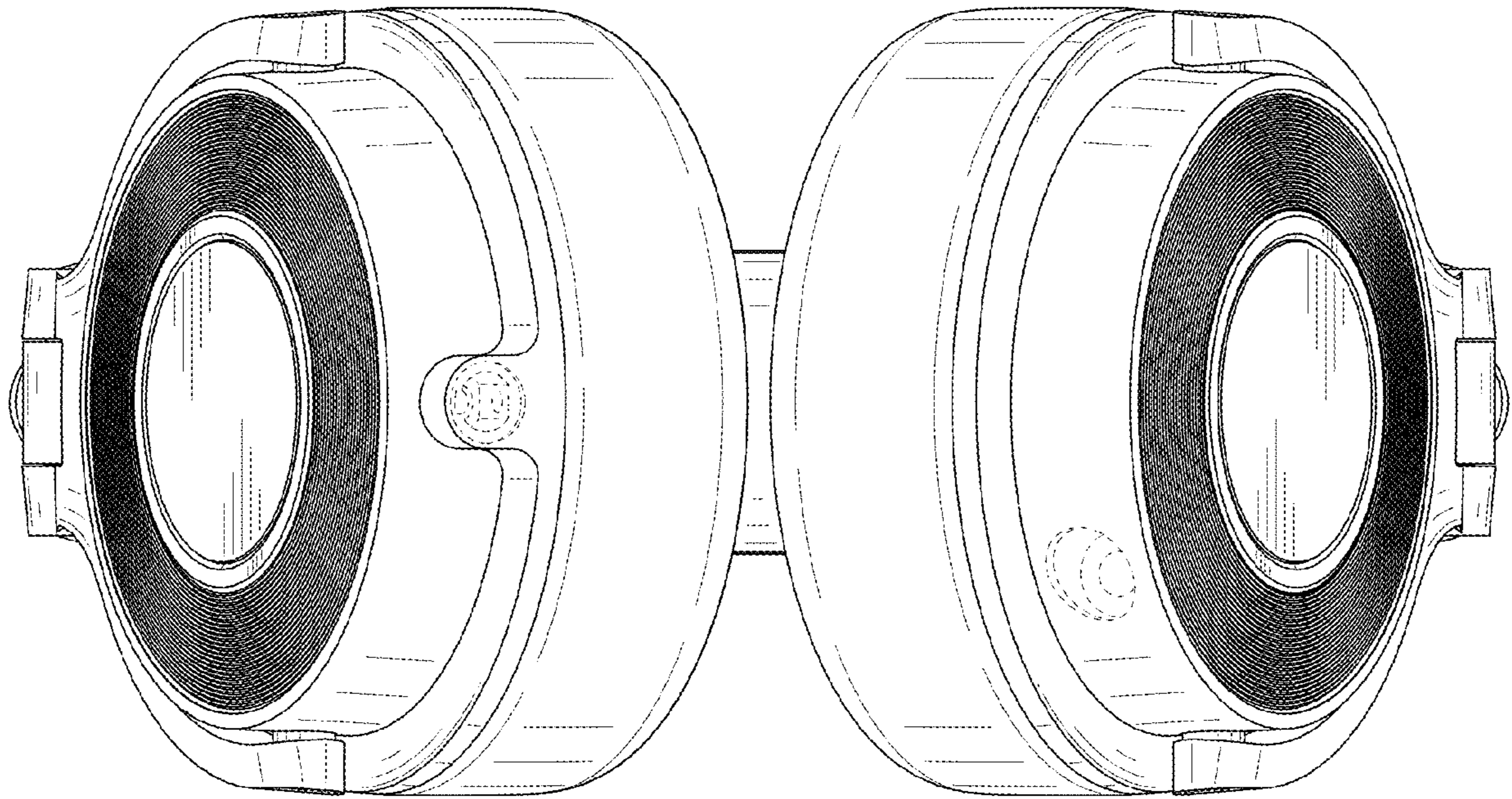


FIG. 8

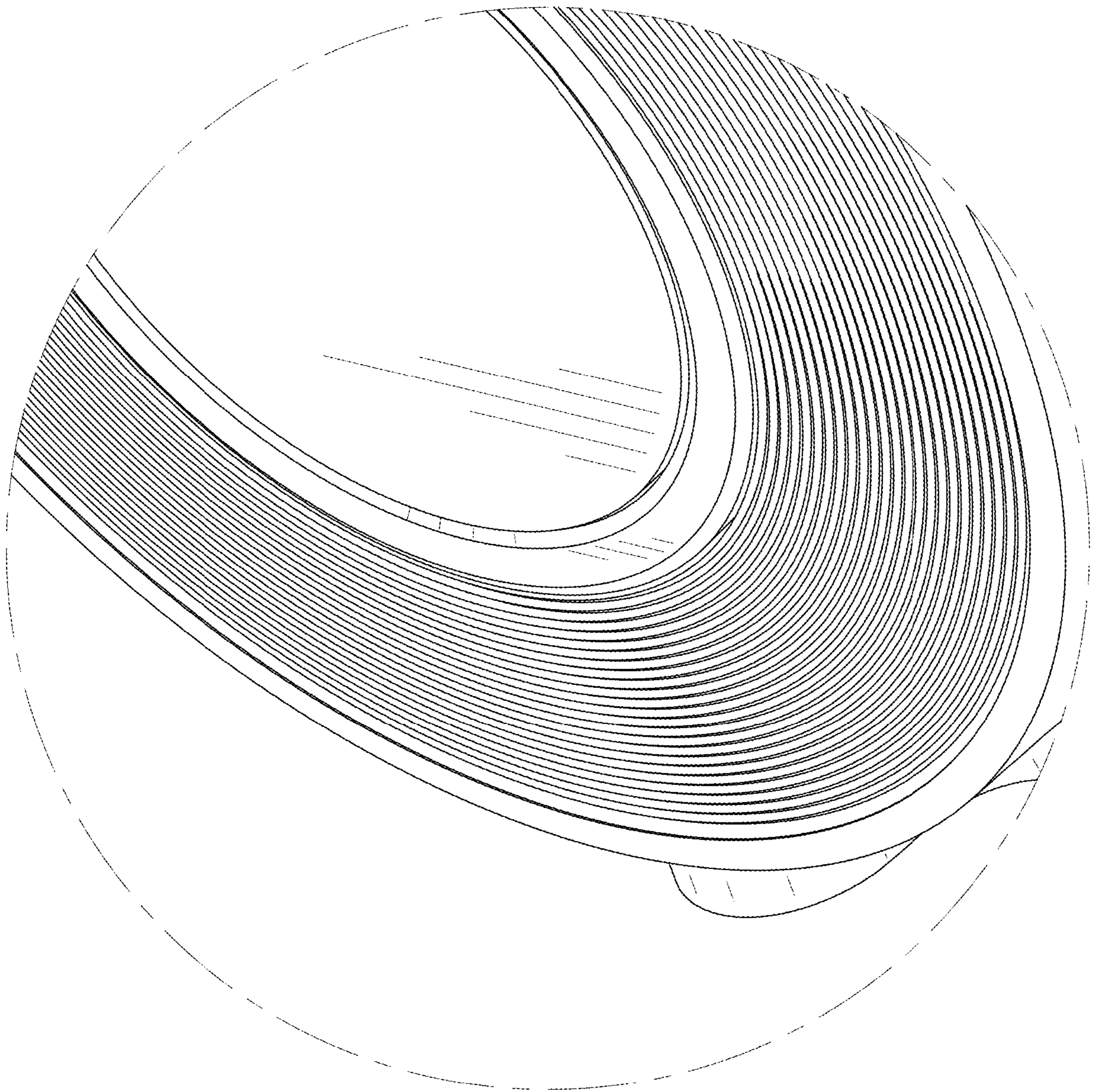


FIG. 9