



US00D980184S

(12) **United States Design Patent**
Bae et al.

(10) **Patent No.:** **US D980,184 S**
(45) **Date of Patent:** **** Mar. 7, 2023**

(54) **SPEAKER**
(71) Applicant: **LG ELECTRONICS INC.**, Seoul (KR)
(72) Inventors: **Jinwan Bae**, Seoul (KR); **Seungil Lee**, Seoul (KR); **Hophil Lee**, Seoul (KR); **Sanghyun Choi**, Seoul (KR)
(73) Assignee: **LG ELECTRONICS INC.**, Seoul (KR)
(**) Term: **15 Years**
(21) Appl. No.: **29/794,077**
(22) Filed: **Jun. 10, 2021**

3,735,041 A * 5/1973 Fujita H04N 5/64
455/350
3,812,301 A * 5/1974 Lahti H04R 1/021
381/386
3,819,005 A * 6/1974 Westlund G10K 11/28
181/155
6,650,758 B1 * 11/2003 Van Schyndel H04R 1/02
381/89
7,547,019 B2 * 6/2009 Chen A63F 9/0865
273/156
D614,481 S * 4/2010 Lewis D8/382
D645,911 S * 9/2011 Kock D21/713
D676,423 S * 2/2013 Joseph D14/216
8,490,974 B2 * 7/2013 Stolten A63F 9/0838
273/153 S
D696,298 S * 12/2013 Britt, Jr. D14/496
D703,193 S * 4/2014 Trewartha D14/225
D711,351 S * 8/2014 Breines D14/215
D728,518 S * 5/2015 Babataher D14/215

(Continued)

(30) **Foreign Application Priority Data**
Dec. 23, 2020 (KR) 30-2020-0064556
(51) **LOC (14) Cl.** **14-01**
(52) **U.S. Cl.**
USPC **D14/204; D14/209.1**
(58) **Field of Classification Search**
USPC D14/204, 209.1, 215, 216, 221, 225;
D21/478, 479, 483, 488, 498; 381/338,
381/303; 181/141, 145, 153
CPC . H04R 25/00; H04R 5/02; H04R 1/02; H04R
1/28; H05K 5/00
See application file for complete search history.

Primary Examiner — Paula Allen Greene
(74) *Attorney, Agent, or Firm* — Birch, Stewart, Kolasch & Birch, LLP

(57) **CLAIM**

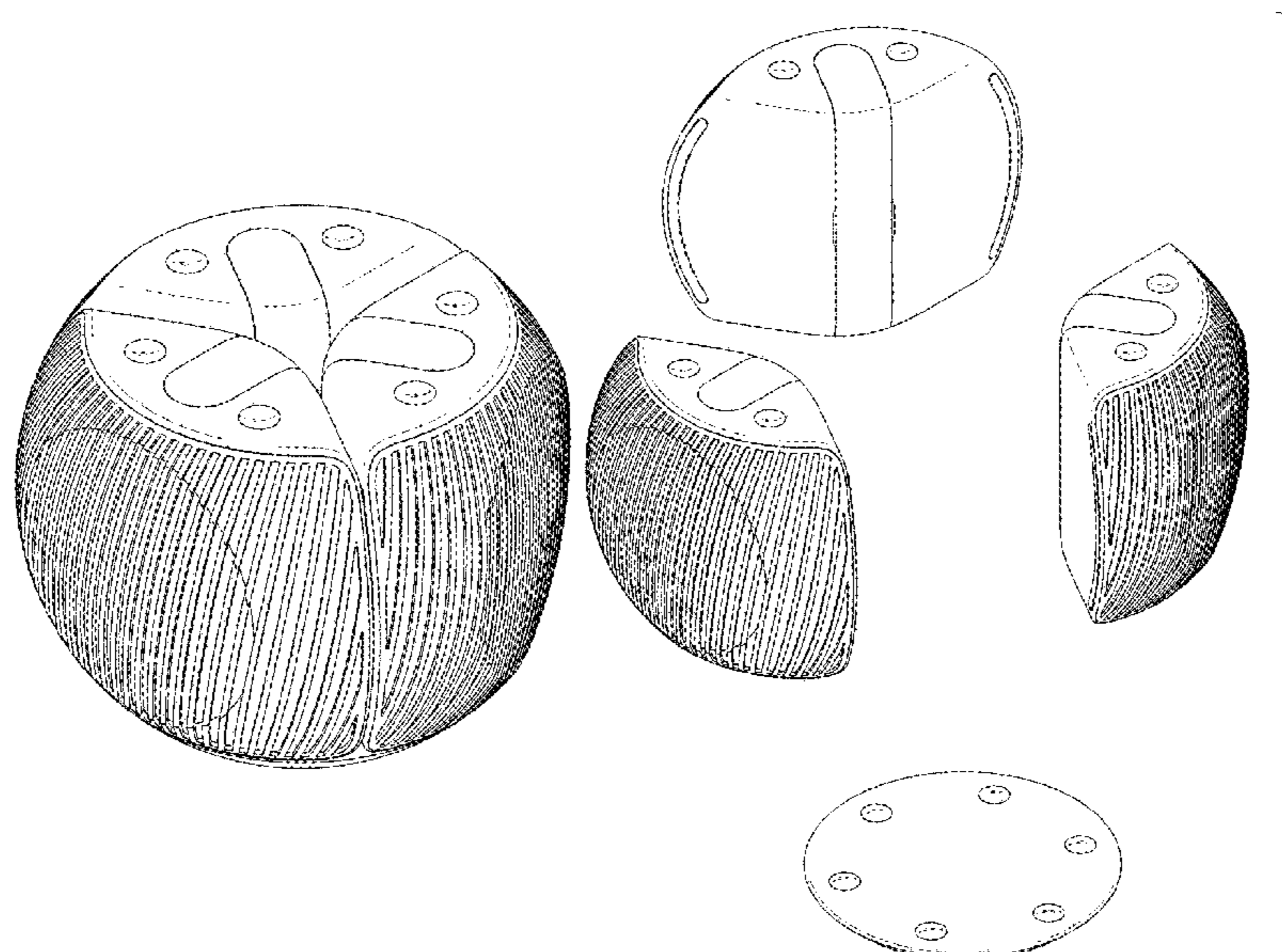
The ornamental design for a speaker, as shown and described.

DESCRIPTION

FIG. 1 is a front, right side, perspective view of a speaker showing our new design;
FIG. 2 is a front view thereof;
FIG. 3 is a rear view thereof;
FIG. 4 is a left side view thereof;
FIG. 5 is a right side view thereof;
FIG. 6 is a top view thereof;
FIG. 7 is a bottom view thereof;
FIG. 8 is an exploded perspective view thereof; and,
FIG. 9 is an additional perspective view of one part of the speaker shown separately for ease of illustration thereof.

(56) **References Cited**
U.S. PATENT DOCUMENTS
1,546,024 A * 7/1925 Reichenbach A63F 9/12
273/160
D118,838 S * 2/1940 Roch D21/479
D214,928 S * 8/1969 Sewitt 434/259
3,500,953 A * 3/1970 Lahti H04R 1/345
181/151

1 Claim, 9 Drawing Sheets



(56)

References Cited

U.S. PATENT DOCUMENTS

D729,204	S	*	5/2015	Tze-Yen	D14/216
D733,690	S	*	7/2015	Zukowski	D14/228
D744,977	S	*	12/2015	Wagner	D14/204
D756,326	S	*	5/2016	Holzer	D14/171
D765,617	S	*	9/2016	Mackiewicz	D14/216
D770,415	S	*	11/2016	Pellisari	D14/216
D781,274	S	*	3/2017	Kim	D14/242
D781,813	S	*	3/2017	Pignotti	D14/204
D789,906	S	*	6/2017	Zhang	D14/209.1
D793,363	S	*	8/2017	Zhang	D14/216
D811,392	S	*	2/2018	Lu	D14/240
D813,191	S	*	3/2018	Pignotti	D14/204
D829,688	S	*	10/2018	Tanaka	D14/216
D863,356	S	*	10/2019	Akana	D14/496
D884,673	S	*	5/2020	Han	D10/2
D885,251	S	*	5/2020	Hartloff	D11/157
D890,118	S	*	7/2020	Hubert	D14/204
D891,393	S	*	7/2020	Lalvani	D14/204
D909,993	S	*	2/2021	Han	D10/2
D922,351	S	*	6/2021	Walcott	D14/209.1
2021/0304744	A1	*	9/2021	Pawar	G10L 15/22
2022/0070576	A1	*	3/2022	Della Rosa	H04R 7/20

* cited by examiner

FIG. 1

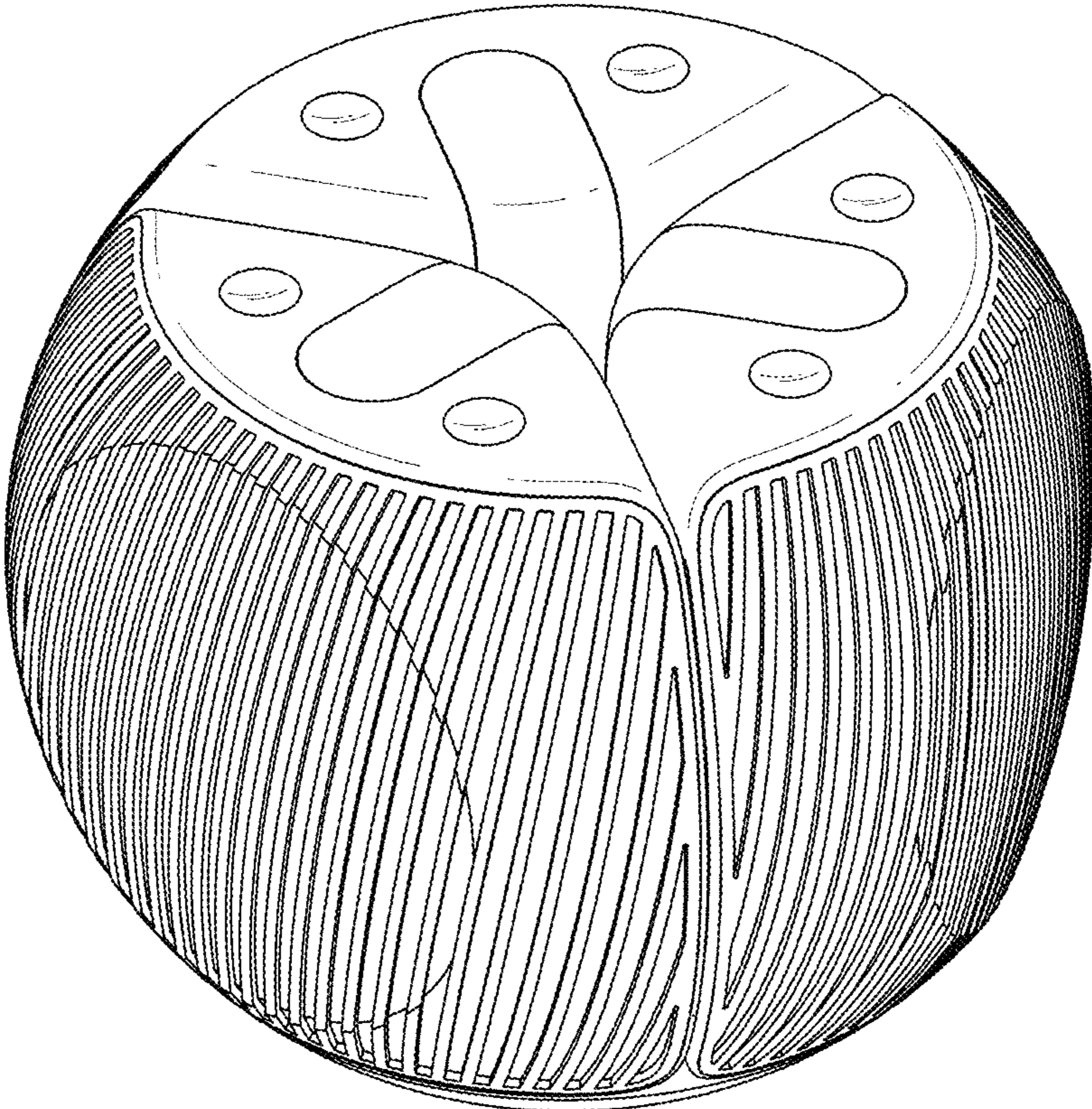


FIG. 2

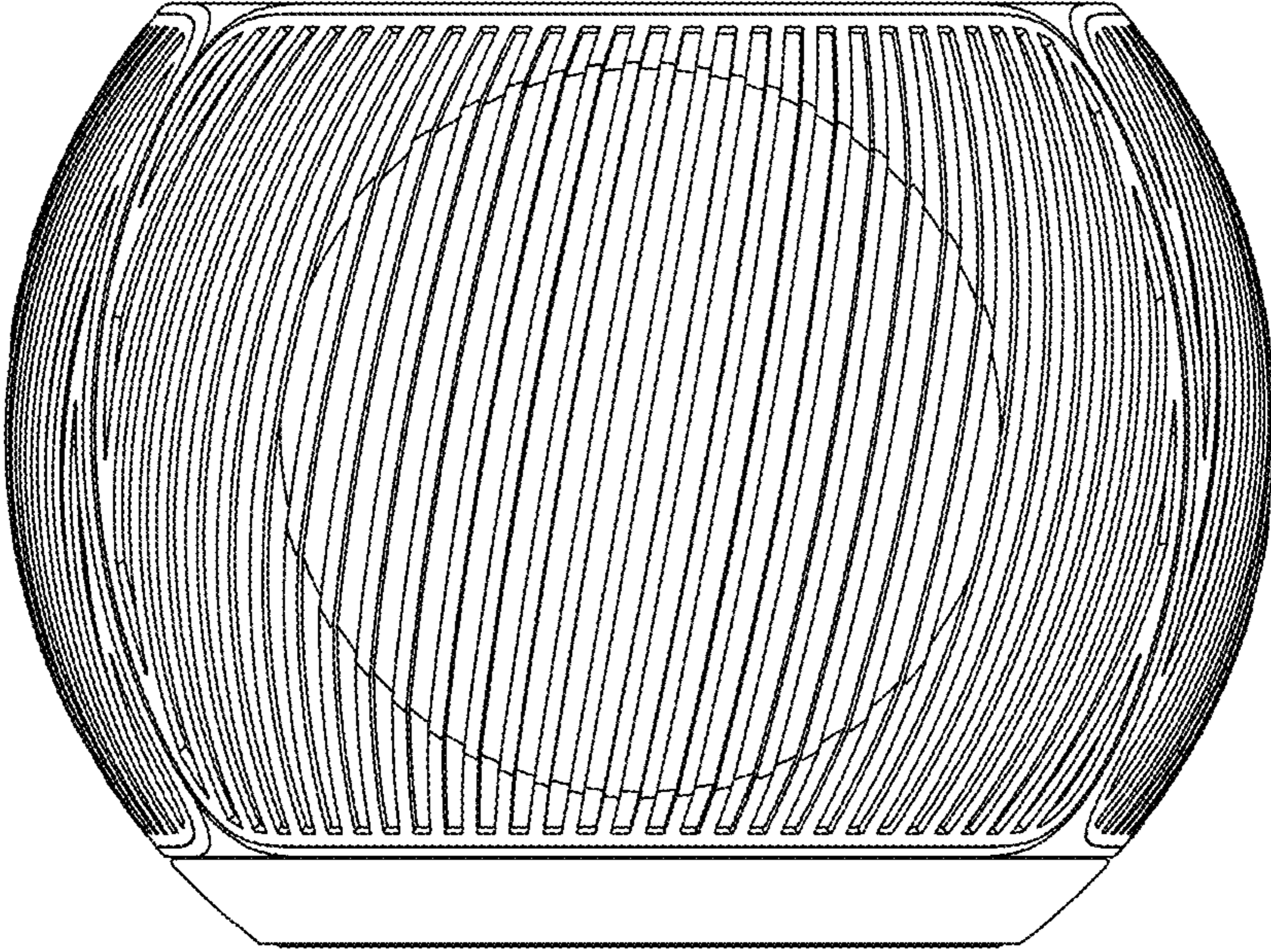


FIG. 3

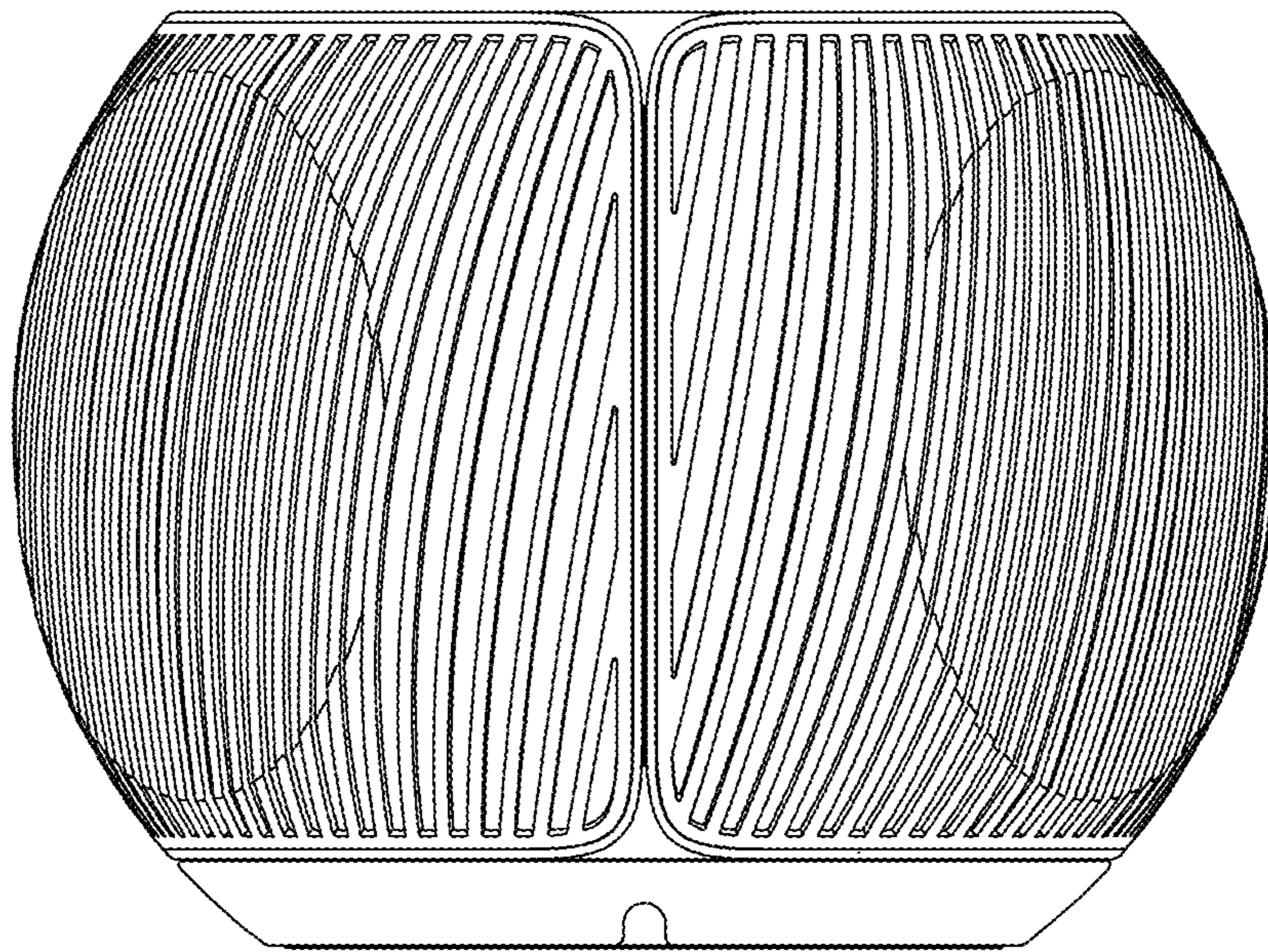


FIG. 4

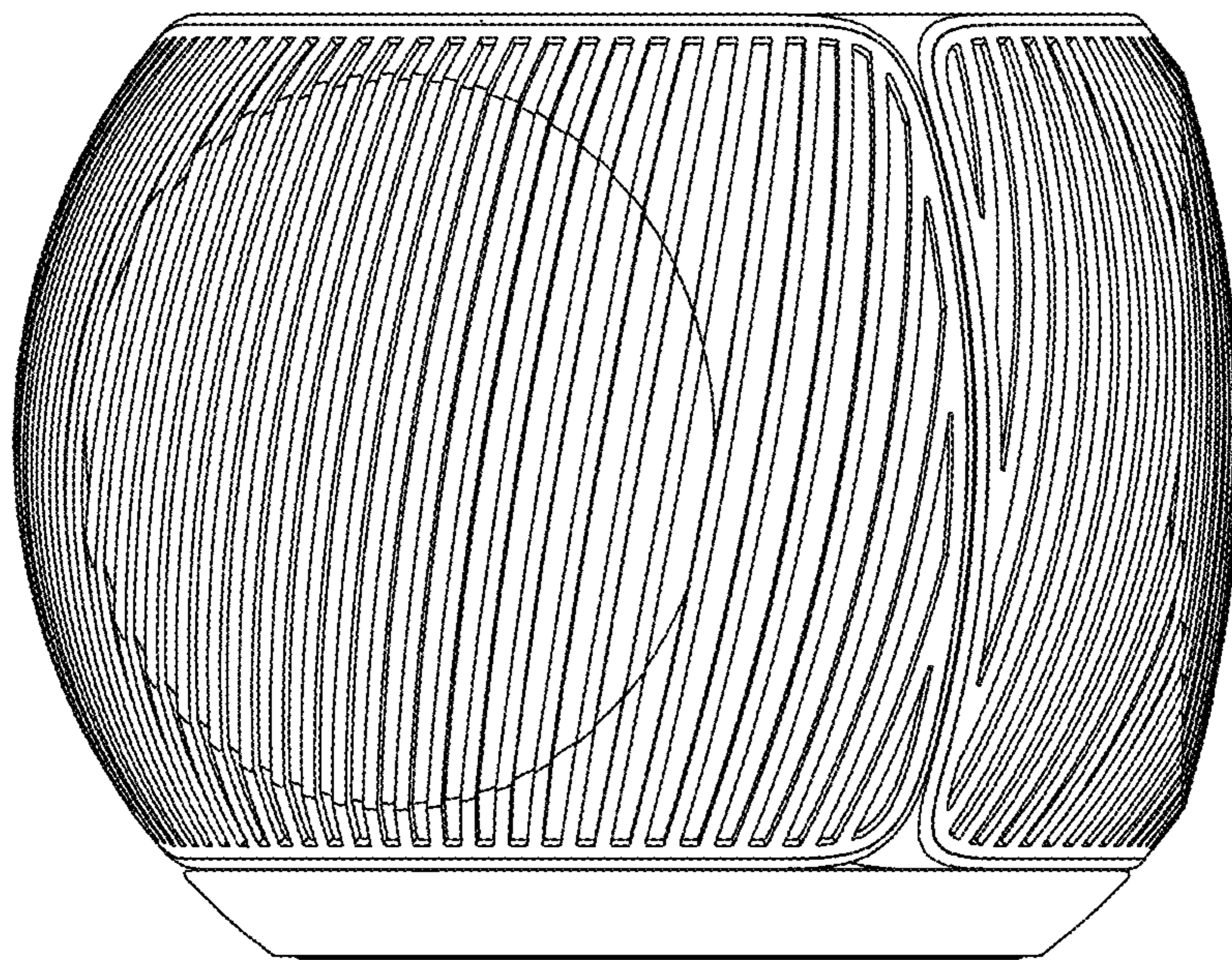


FIG. 5

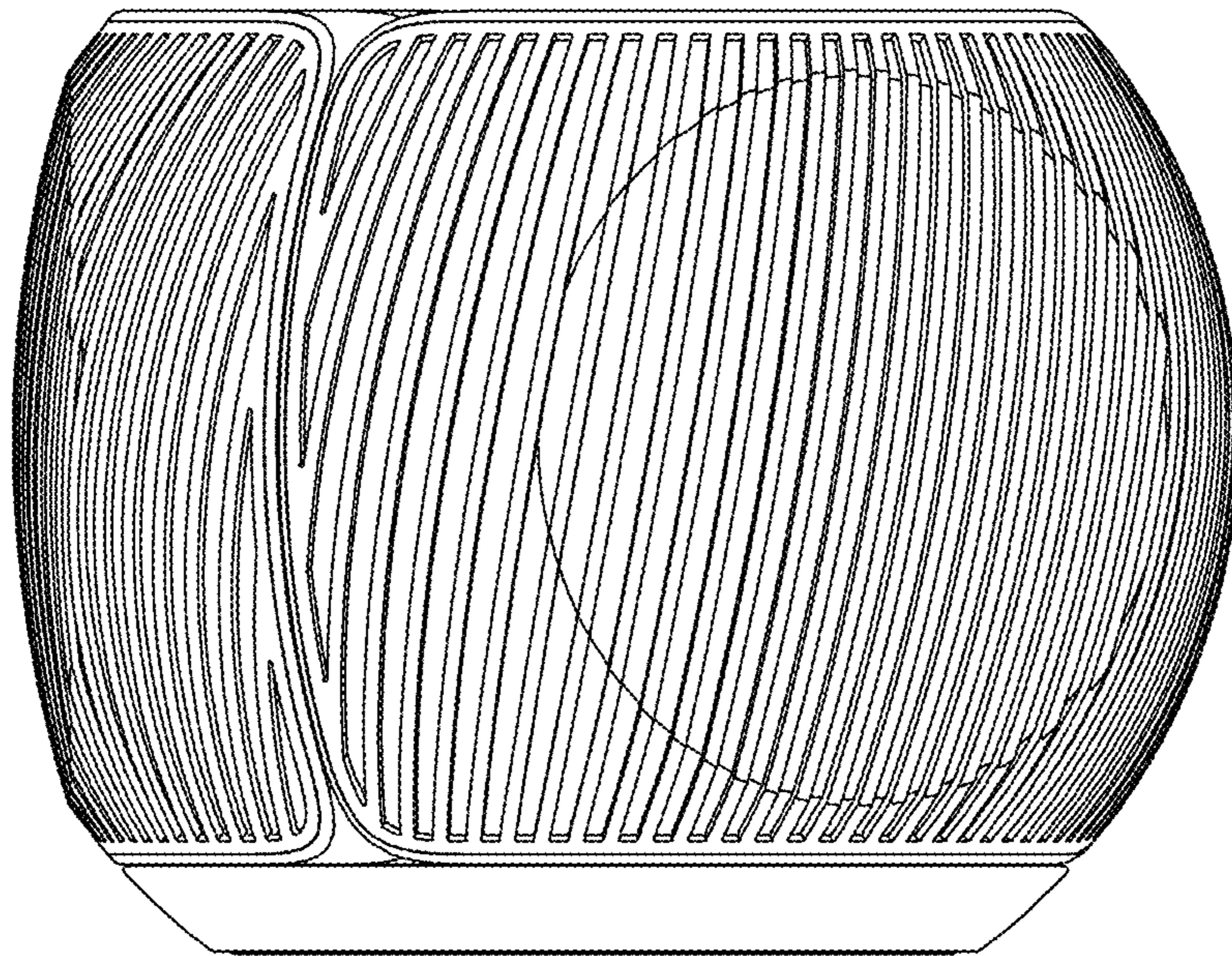


FIG. 6

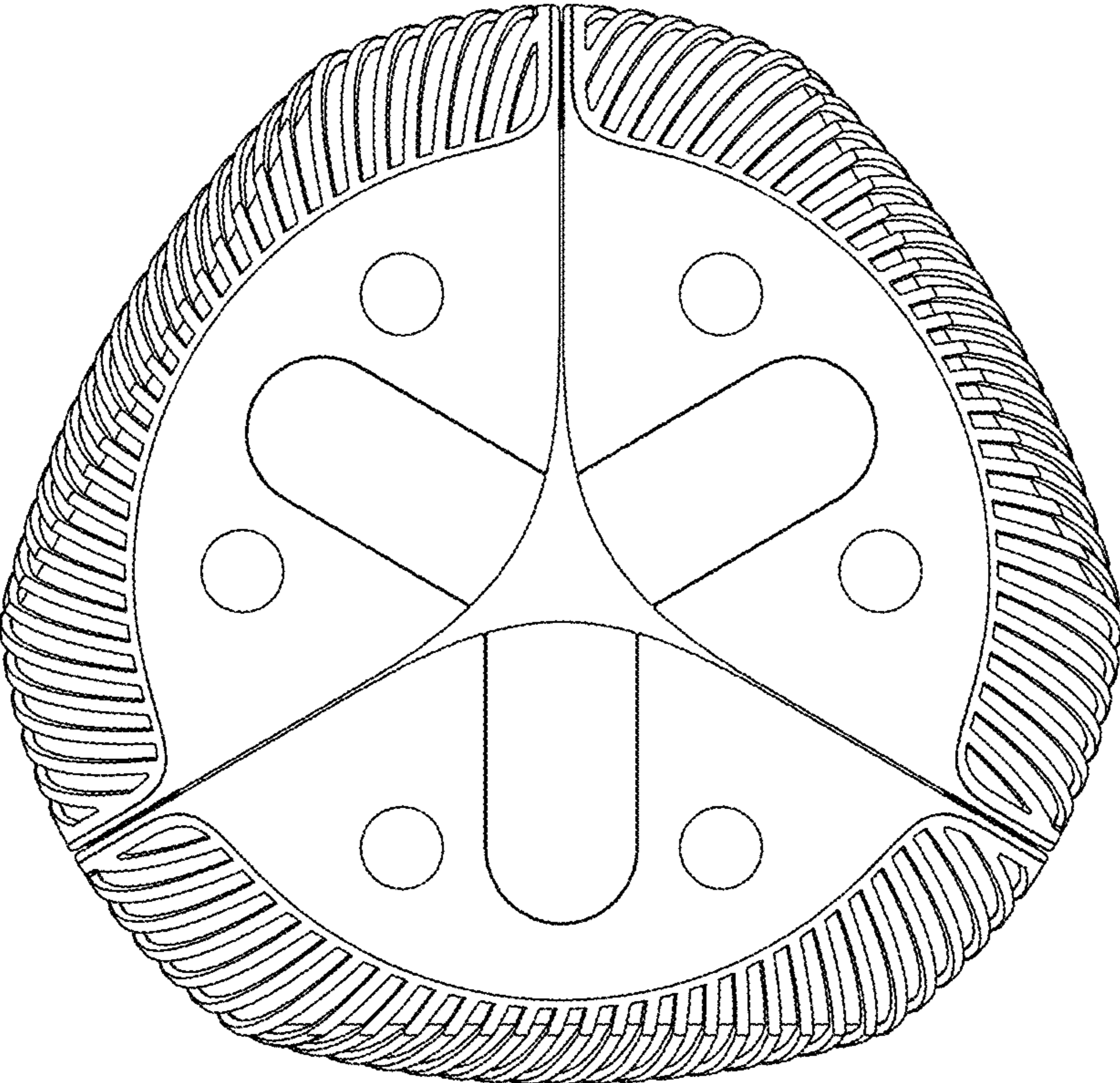


FIG. 7

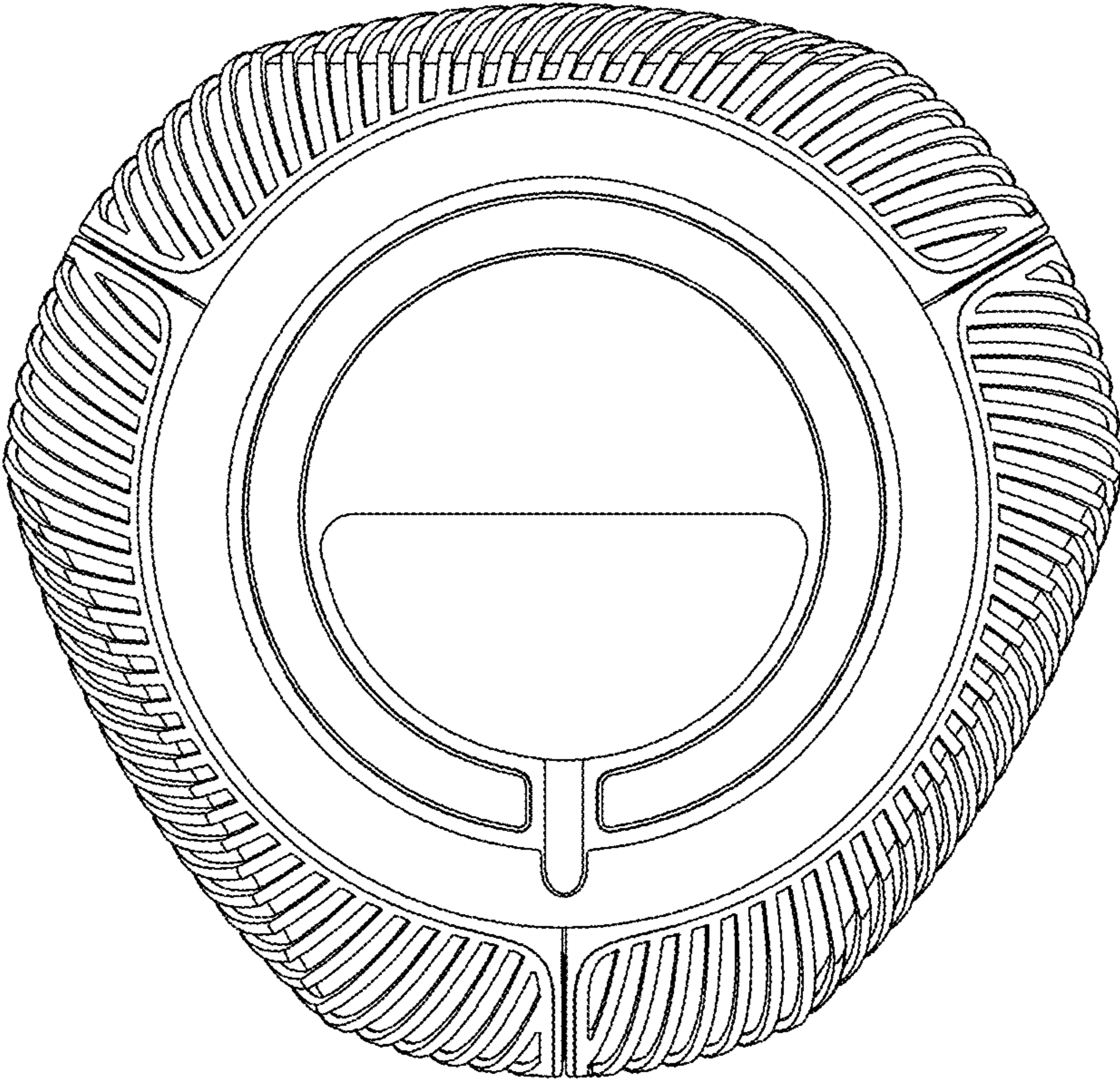


FIG. 8

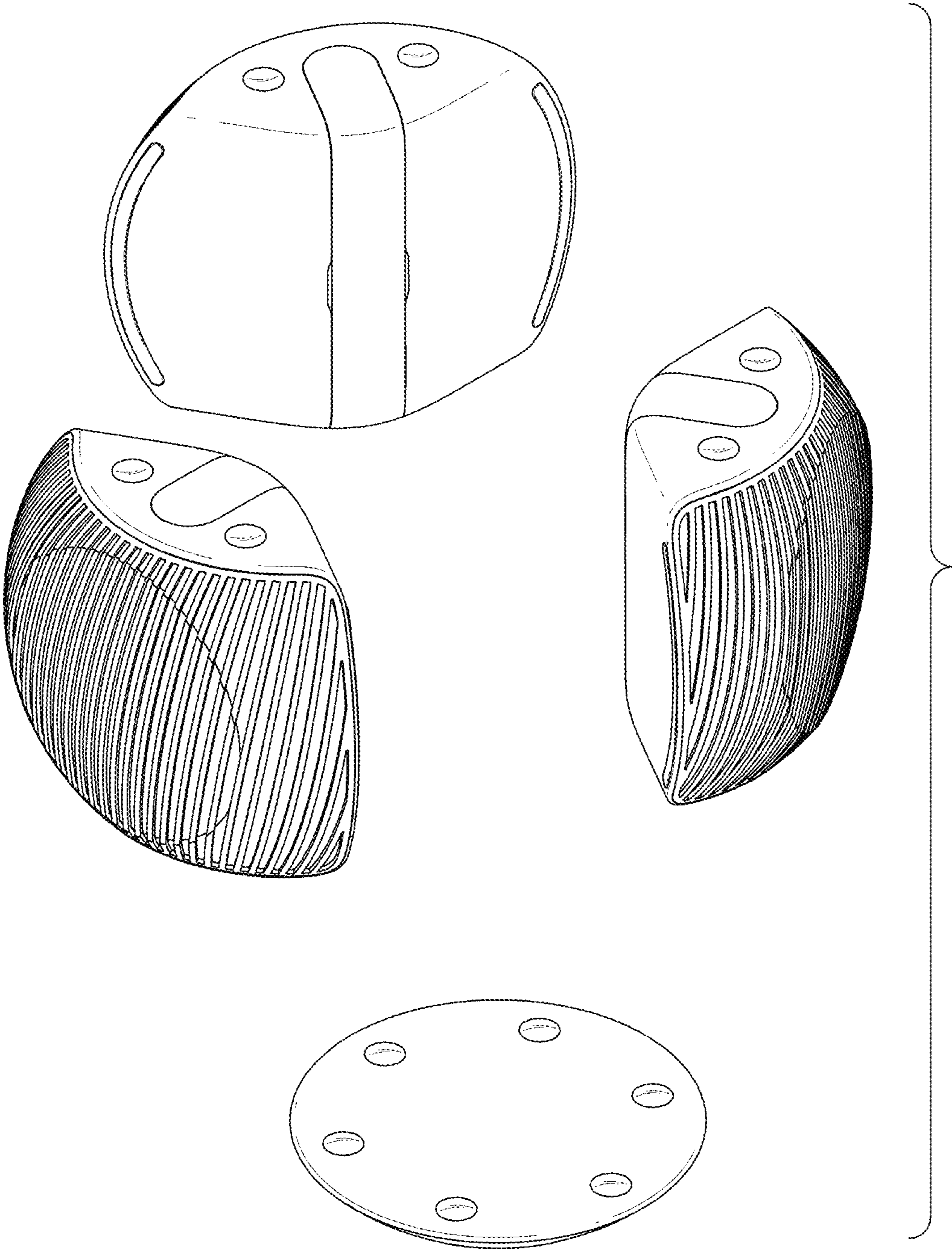


FIG. 9

