



US00D980182S

(12) **United States Design Patent**  
**Niu**

(10) **Patent No.:** **US D980,182 S**  
(45) **Date of Patent:** **\*\* Mar. 7, 2023**

(54) **RECORD PLAYER**

(71) Applicant: **Hu Niu**, Fuyang (CN)

(72) Inventor: **Hu Niu**, Fuyang (CN)

(73) Assignee: **Hu Niu**, Fuyang (CN)

(\*\*) Term: **15 Years**

(21) Appl. No.: **29/849,159**

(22) Filed: **Aug. 9, 2022**

(51) **LOC (14) Cl.** ..... **14-01**

(52) **U.S. Cl.**  
USPC ..... **D14/200; D21/409; D21/516**

(58) **Field of Classification Search**  
USPC ..... D14/168, 169, 175, 176, 178, 199–203,  
D14/203.2, 261, 262; D17/1, 2, 7, 8, 24,  
D17/99; D21/409, 516; D6/665  
CPC ..... G11B 3/60; G11B 17/14; G11B 17/16;  
G11B 17/20; G11B 17/162; G11B 19/16;  
G11B 19/2009; G11B 23/00; G11B 33/06  
See application file for complete search history.

(56) **References Cited**

**U.S. PATENT DOCUMENTS**

1,458,596	A *	6/1923	Rothkirch	.....	G11B 33/06
1,463,311	A *	7/1923	Dietz	.....	G11B 33/06
D123,435	S *	11/1940	Lohr	.....	D17/8
2,501,050	A *	3/1950	Harris	.....	H05K 11/00 D14/178
2,518,206	A *	8/1950	Vitarelli	.....	G11B 33/06 D14/178
D236,027	S *	7/1975	Terrell	.....	D17/2
D264,462	S *	5/1982	Glass	.....	D14/200
D336,648	S *	6/1993	Hsu	.....	D21/409
D371,968	S *	7/1996	Wong	.....	D10/6
D864,892	S *	10/2019	Yan	.....	D14/202
D894,864	S *	9/2020	Peng	.....	D14/201
D898,699	S *	10/2020	Peng	.....	D14/203
D902,173	S *	11/2020	Lieblein	.....	D14/202

(Continued)

**FOREIGN PATENT DOCUMENTS**

CN	307060321	*	1/2022
CN	307060322	*	1/2022

**OTHER PUBLICATIONS**

GeekAlerts “Piano CD Player and Radio” (online) posted by Robert Birming on Nov. 1, 2007. Retrieved from Internet on Sep. 28, 2022, URL: <https://www.geekalerts.com/piano-cd-player-and-radio/> (1 pg.) (Year: 2007).\*

(Continued)

*Primary Examiner* — Wendy L Arminio

(74) *Attorney, Agent, or Firm* — Nitin Kaushik

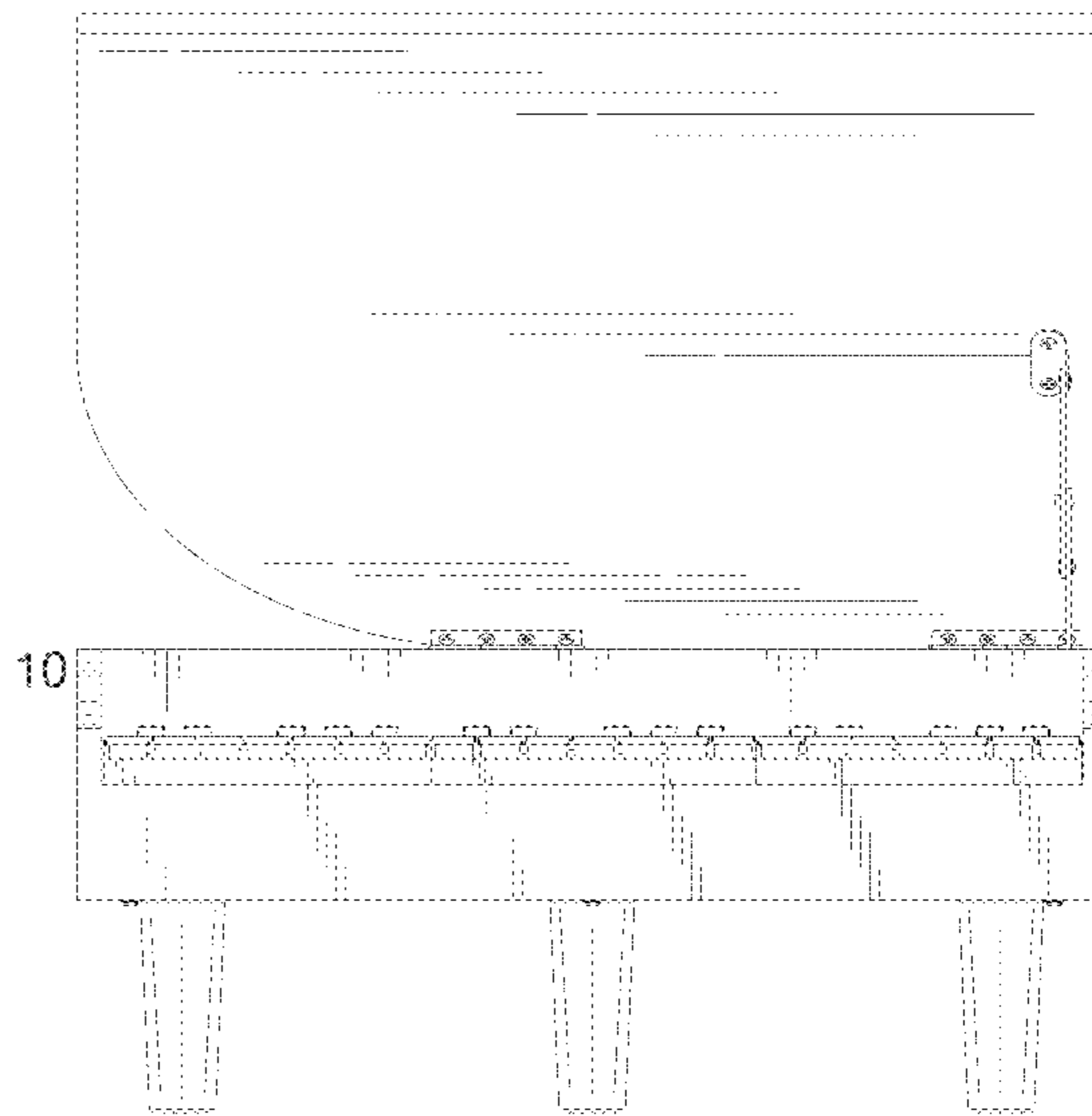
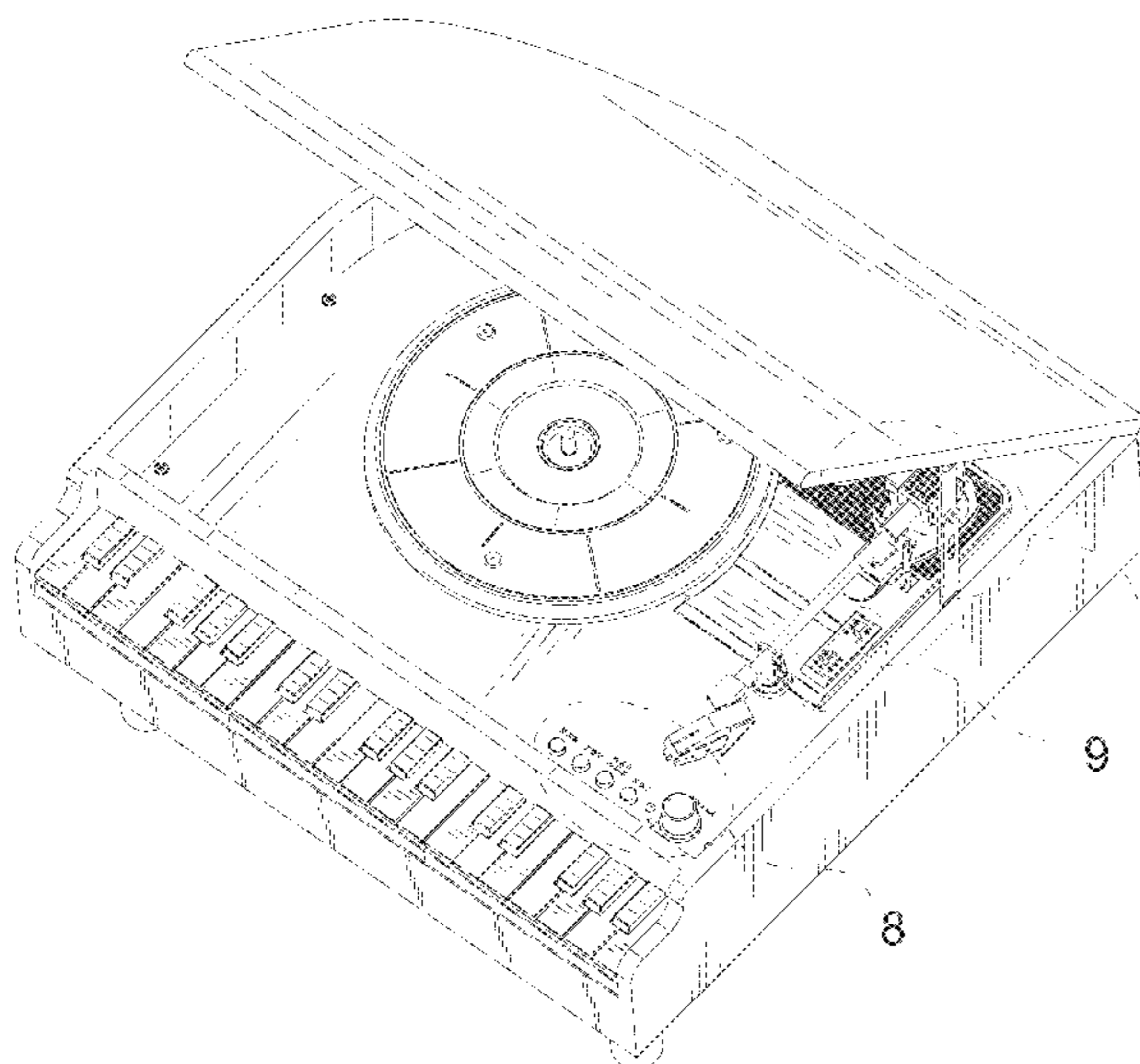
(57) **CLAIM**

The ornamental design for a record player, as shown and described.

**DESCRIPTION**

FIG. 1 is a front, top and right side perspective view of a record player, showing my new design;  
FIG. 2 is a front view thereof;  
FIG. 3 is a rear view thereof;  
FIG. 4 is a left side view thereof;  
FIG. 5 is a right side view thereof;  
FIG. 6 is a top view thereof;  
FIG. 7 is a bottom view thereof;  
FIG. 8 is an enlarged detail view of area 8 in FIG. 1;  
FIG. 9 is an enlarged detail view of area 9 in FIG. 1; and,  
FIG. 10 is an enlarged detail view of area 10 in FIG. 1.  
The dash-dash broken lines in the drawings illustrate the portions of the record player which form no part of the claimed design. The dot-dash broken lines in FIG. 1 and encircling FIGS. 8-10 depict the boundaries of the enlarged detail views and form no part of the claimed design.

**1 Claim, 10 Drawing Sheets**



(56)

**References Cited**

U.S. PATENT DOCUMENTS

D941,797 S 1/2022 Wu  
2010/0315268 A1\* 12/2010 Ward ..... G10H 1/0091  
341/22

OTHER PUBLICATIONS

Las Antigüedades de José YouTube video “Rare Antique Grand-Piano-Shaped Gramophone ‘The Standard Melody’. France, 1930” (online) posted on May 8, 2017. Retrieved from Internet on Sep. 28, 2022, URL: <https://www.youtube.com/watch?v=9PmcSFhPIGw> (1 pg.) (Year: 2017).\*

Global Sources “Newest Design Piano Shape 3 Speeds Belt-Drive Vinyl Record Player Black” (online) dated Sep. 27, 2022. Retrieved from Internet on Sep. 28, 2022, URL: <https://www.globalsources.com/Turntable-player/Piano-Vinyl-1186749583p.htm#Product> (3 pgs.) (Year: 2022).\*

\* cited by examiner

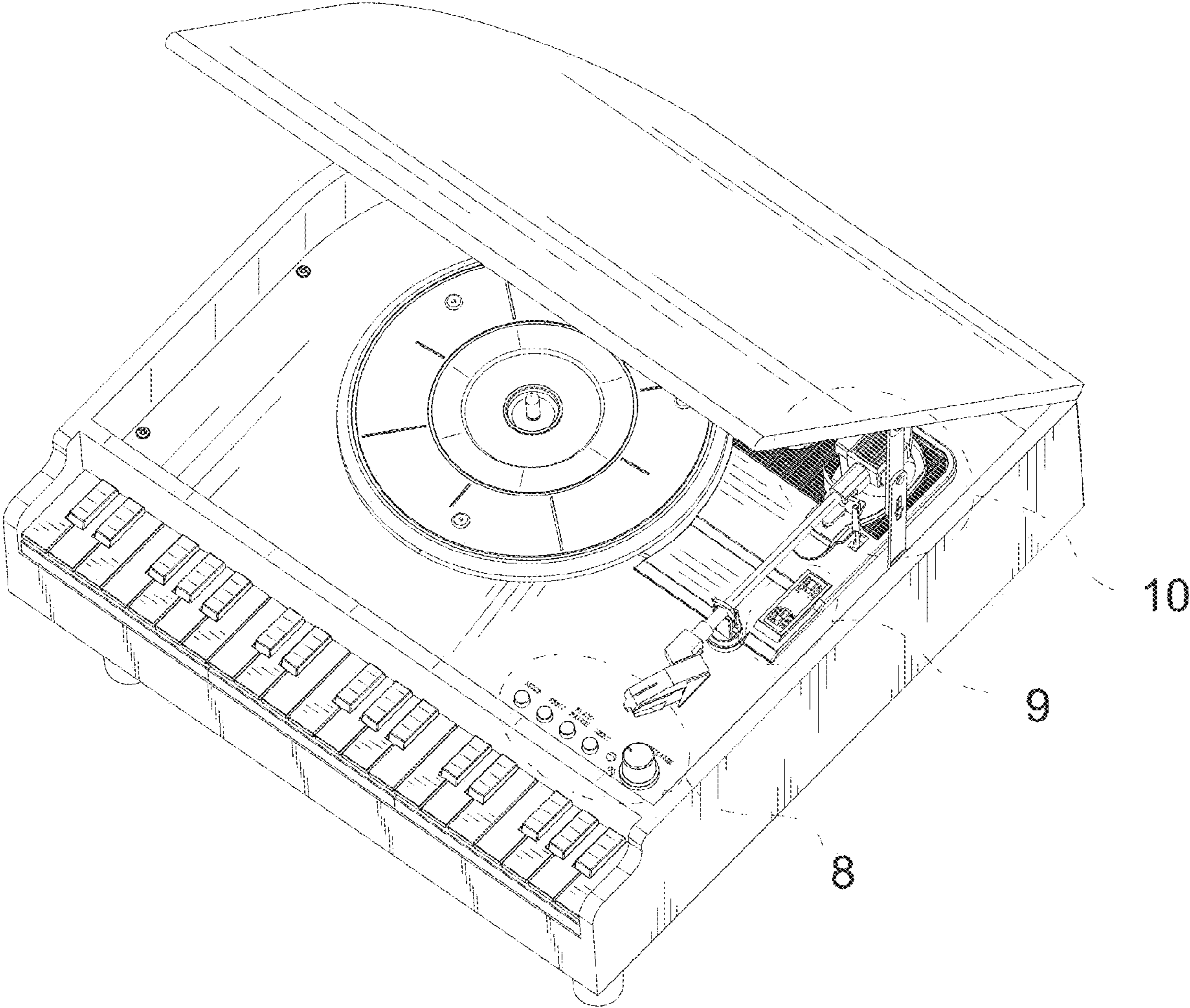


FIG. 1

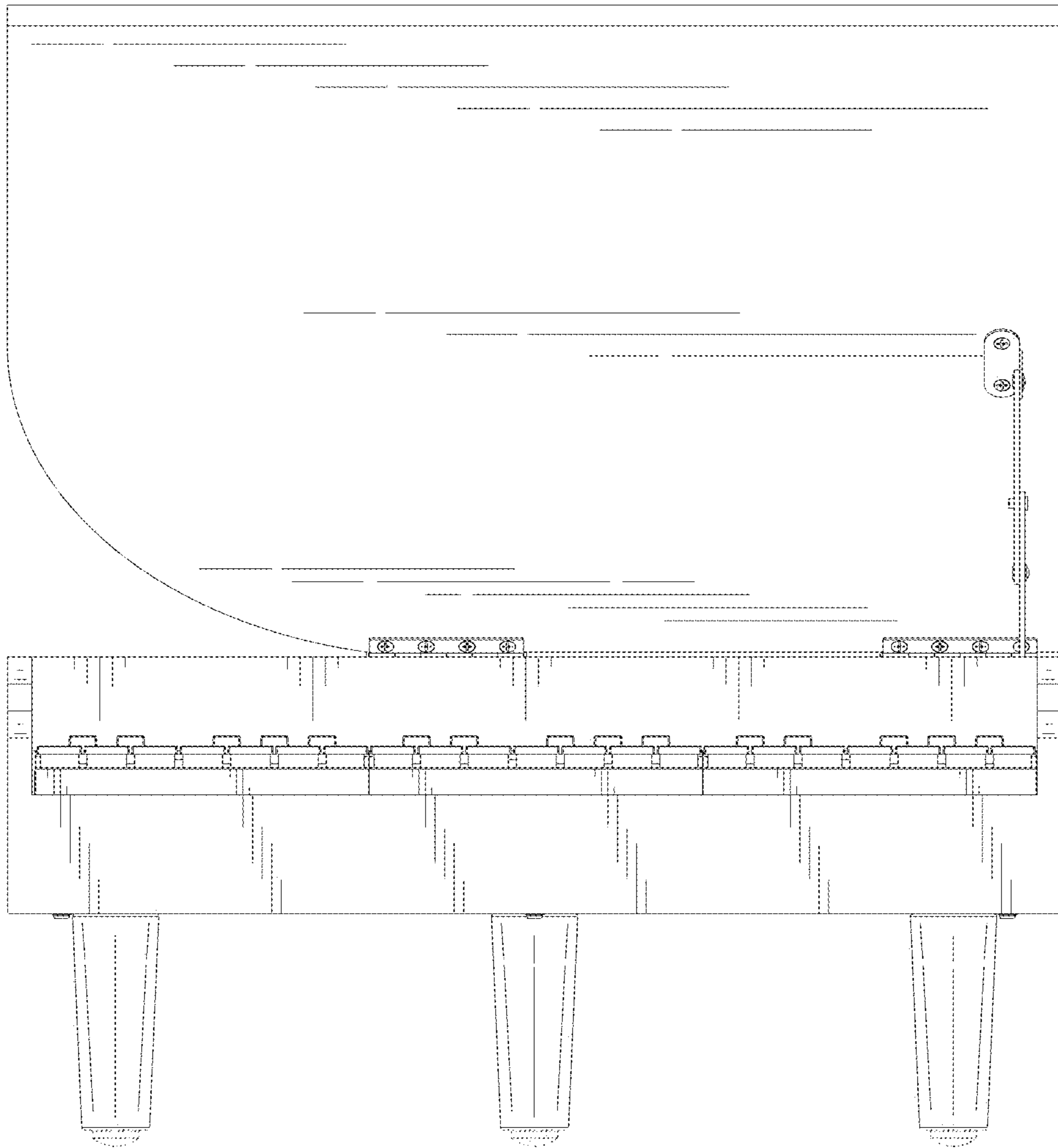


FIG. 2



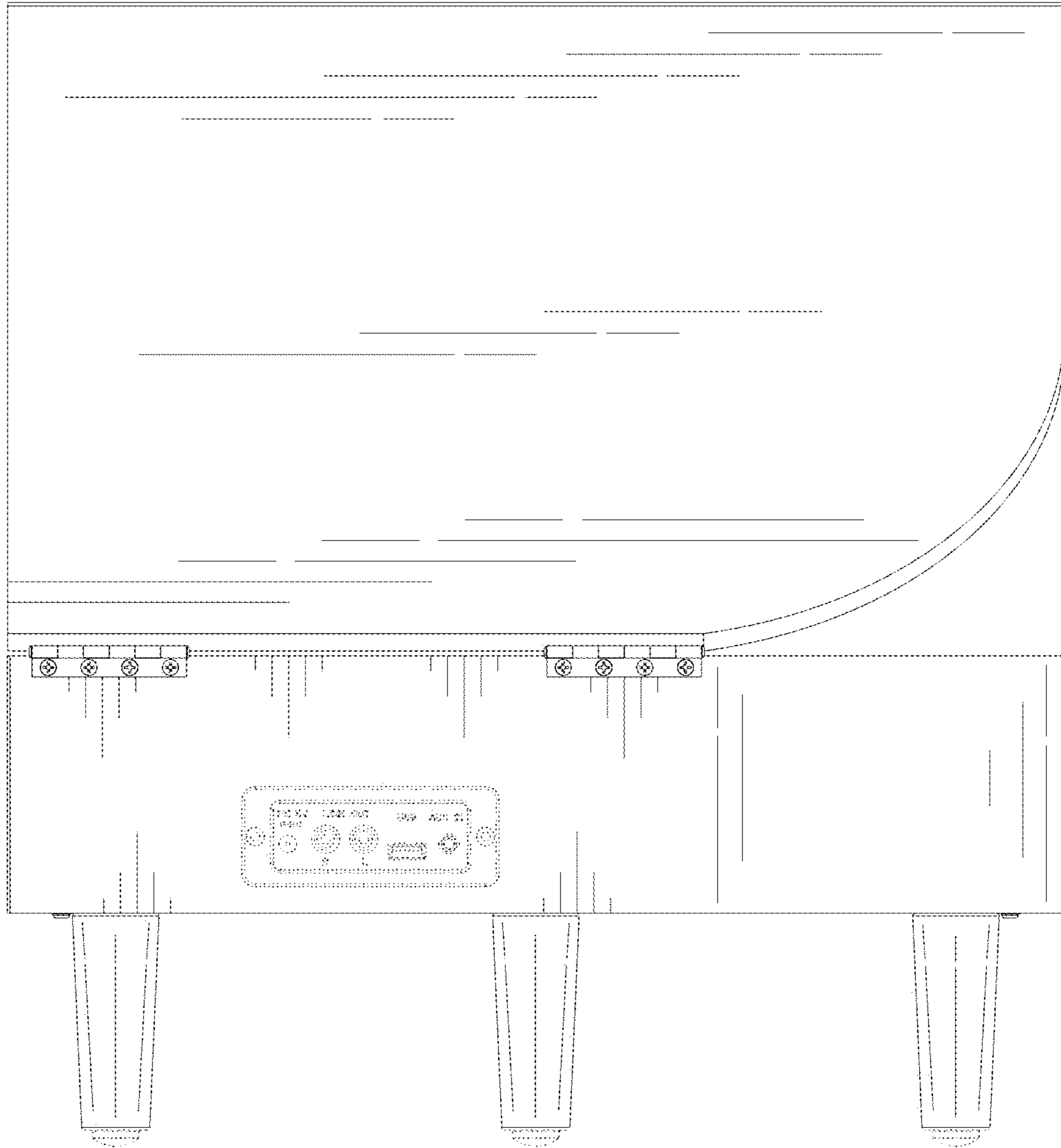


FIG. 3

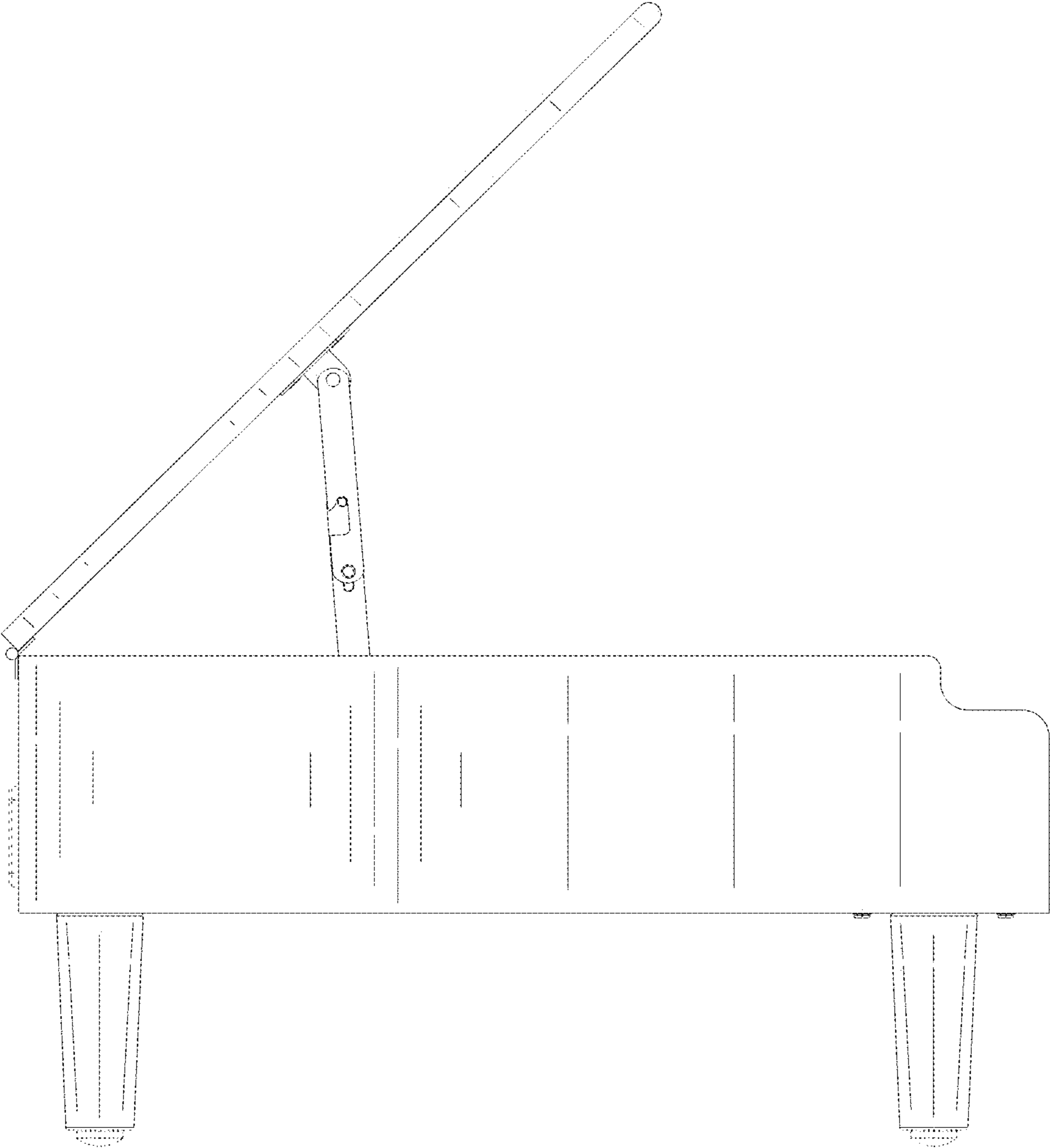


FIG. 4

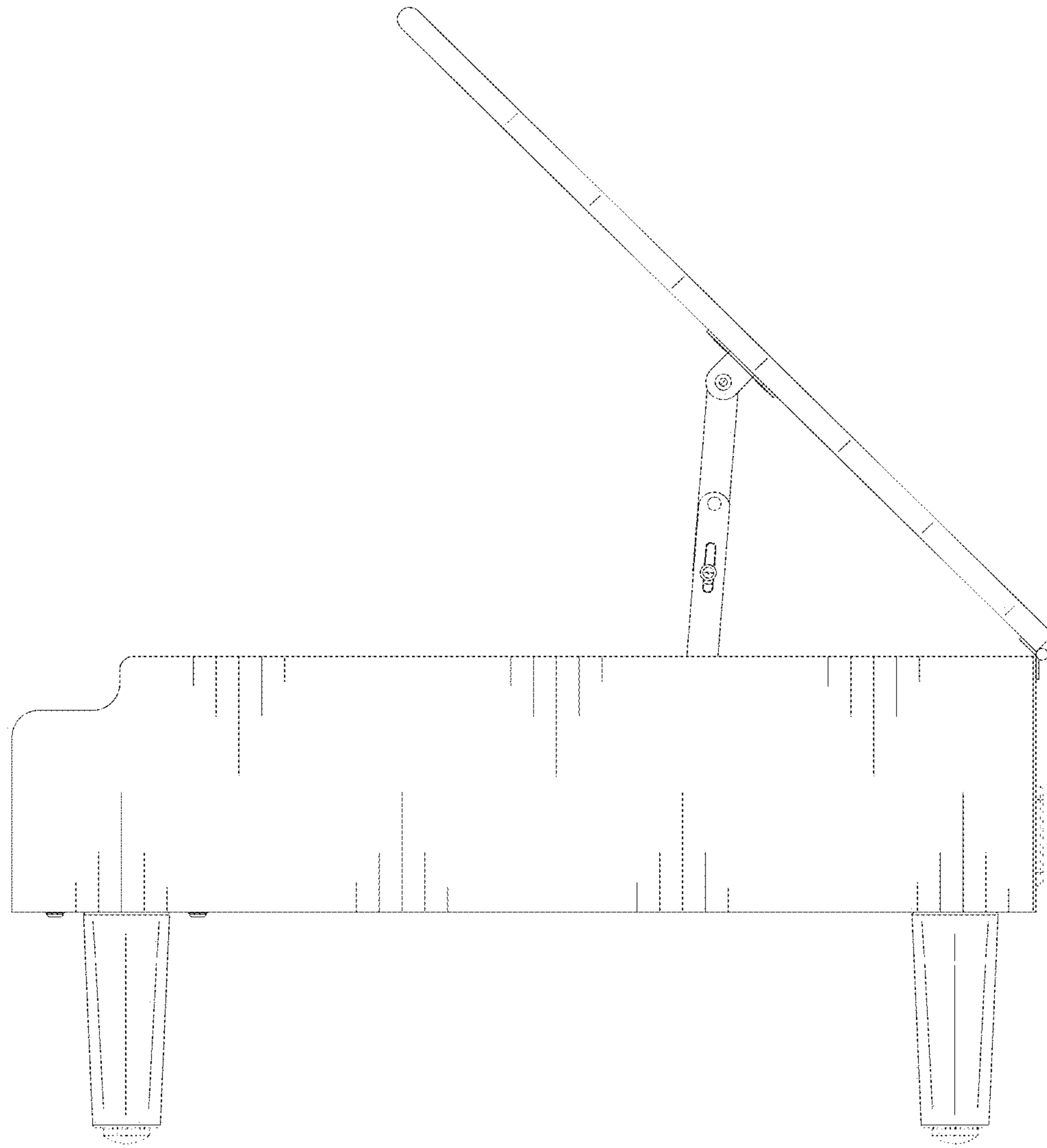


FIG. 5

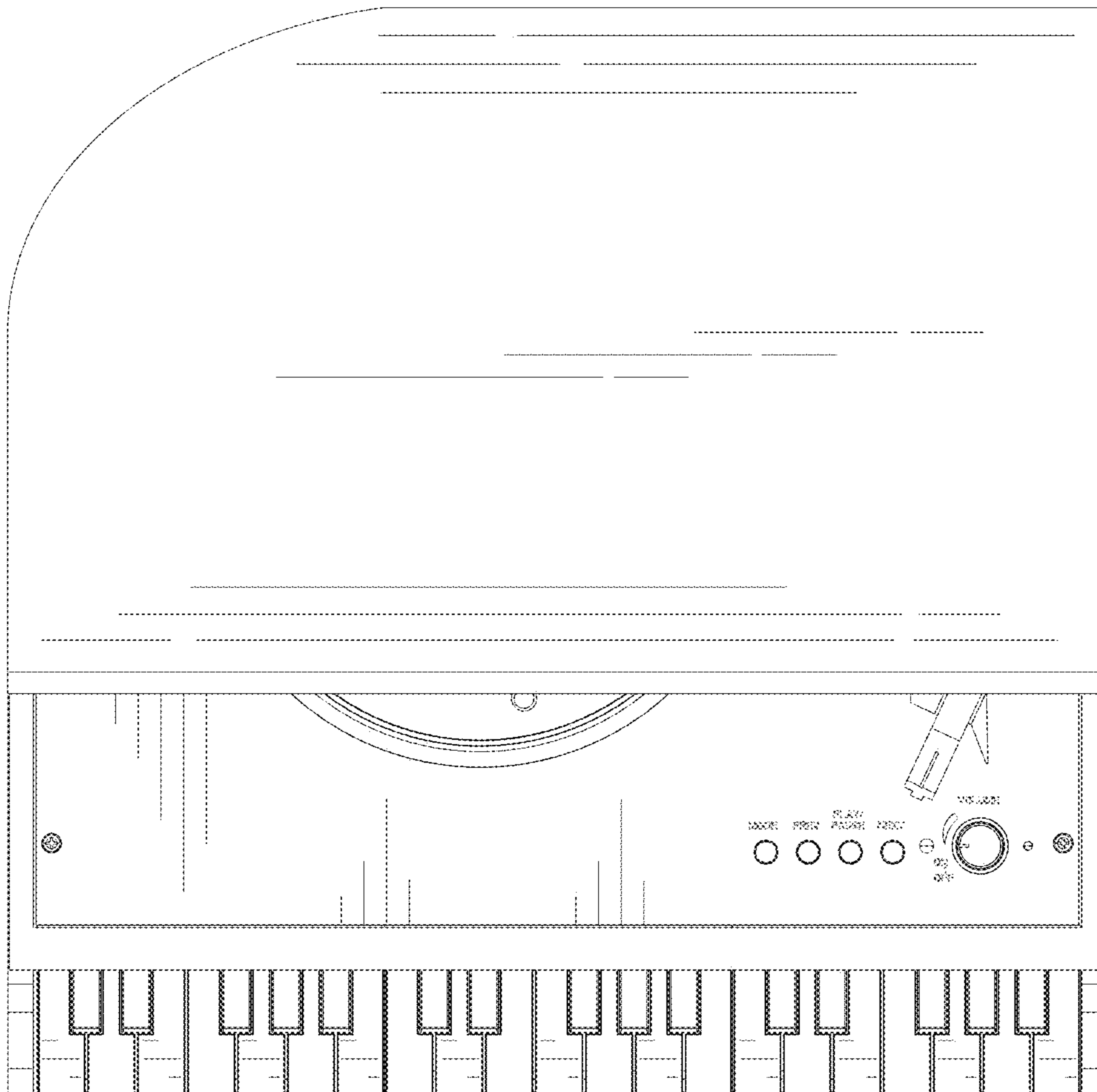


FIG. 6



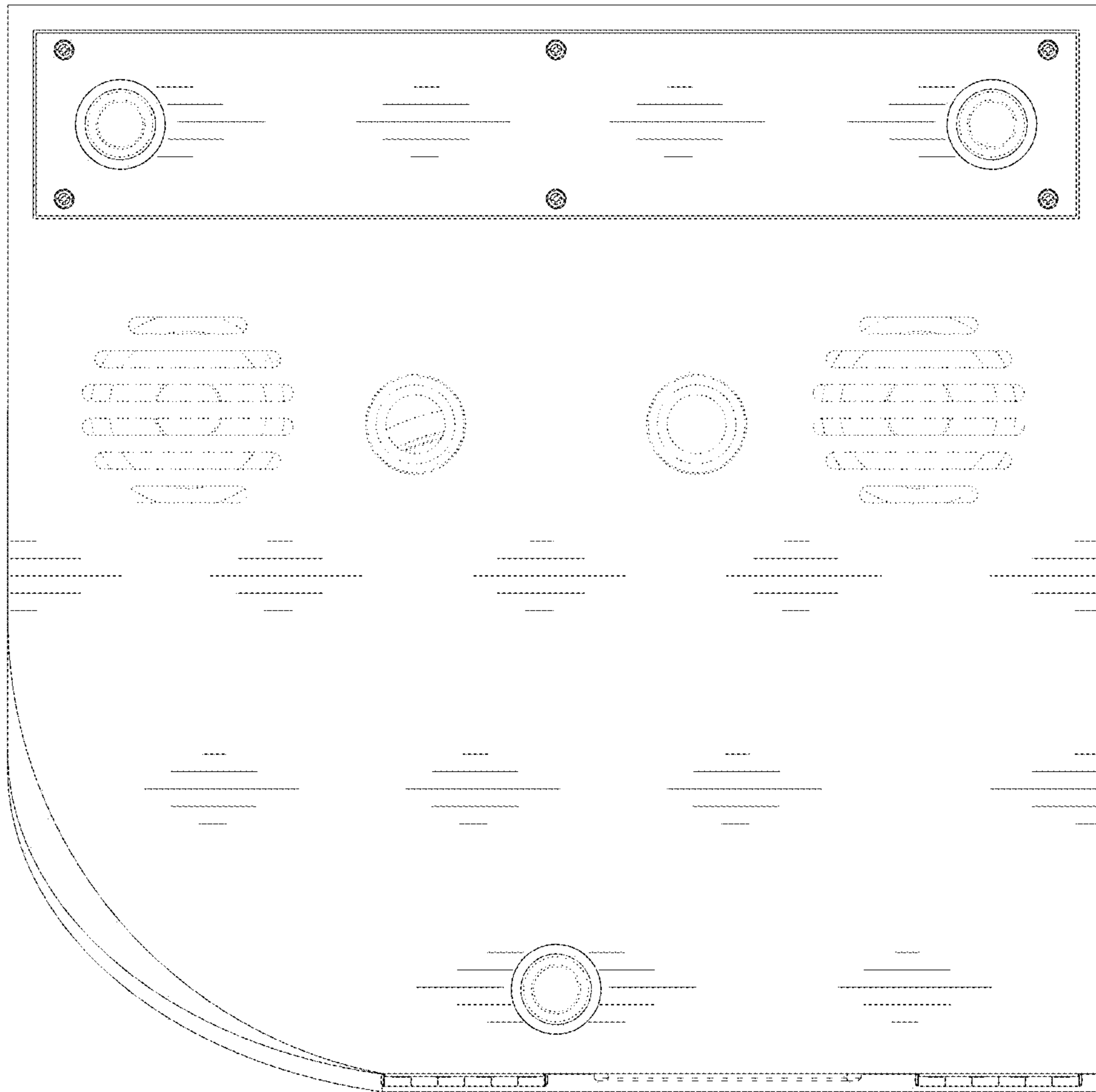


FIG. 7

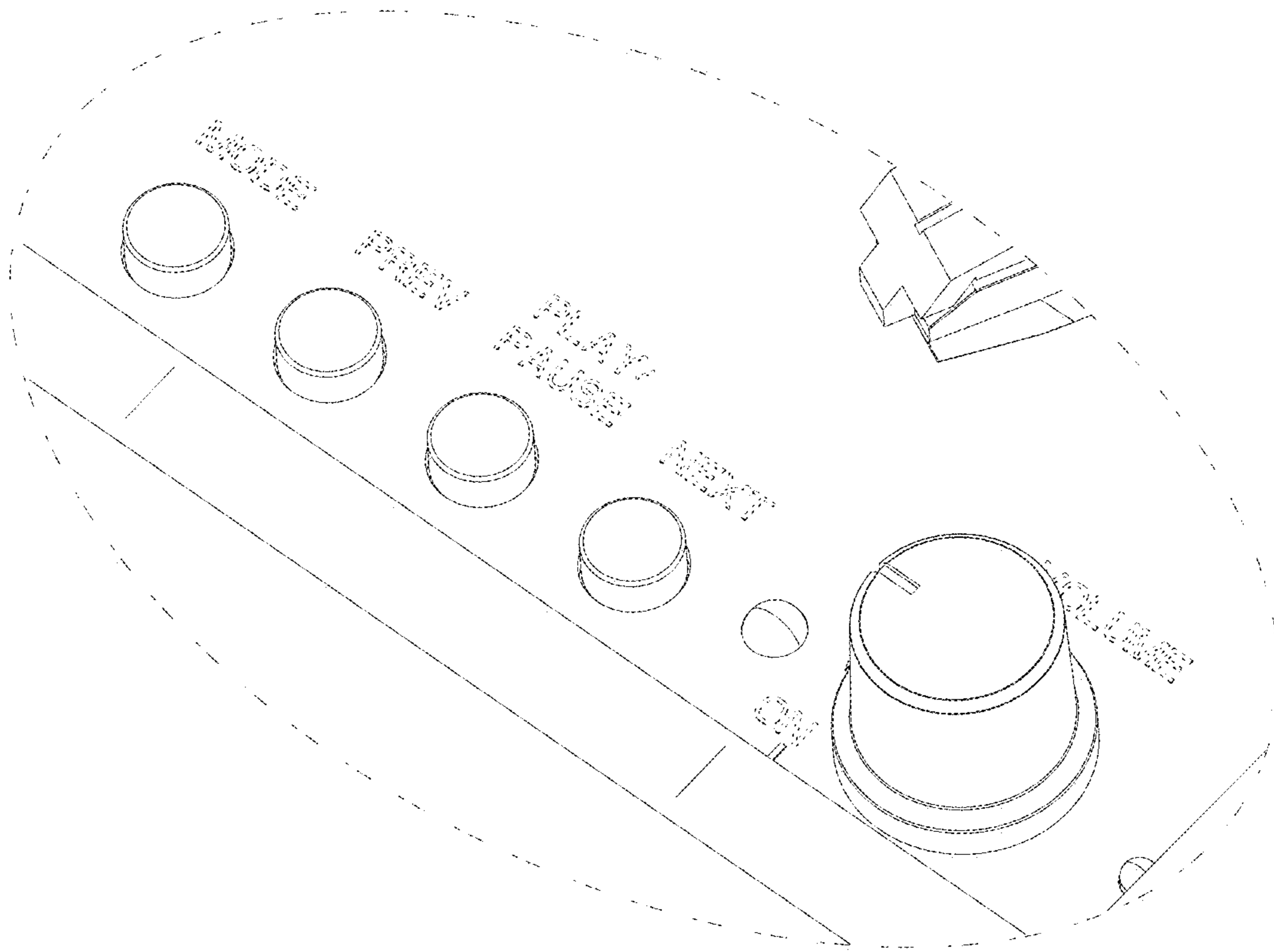


FIG. 8

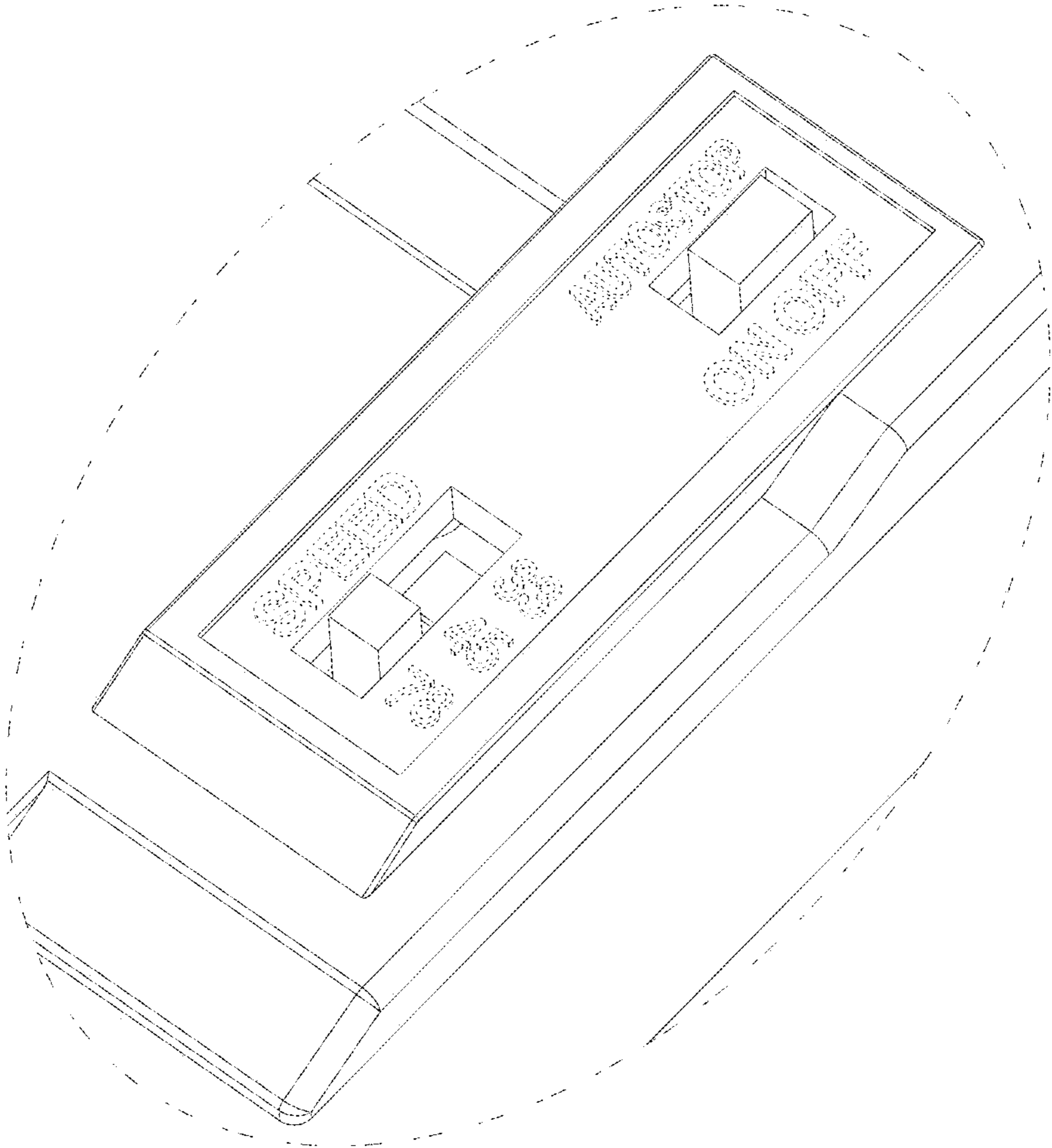


FIG. 9

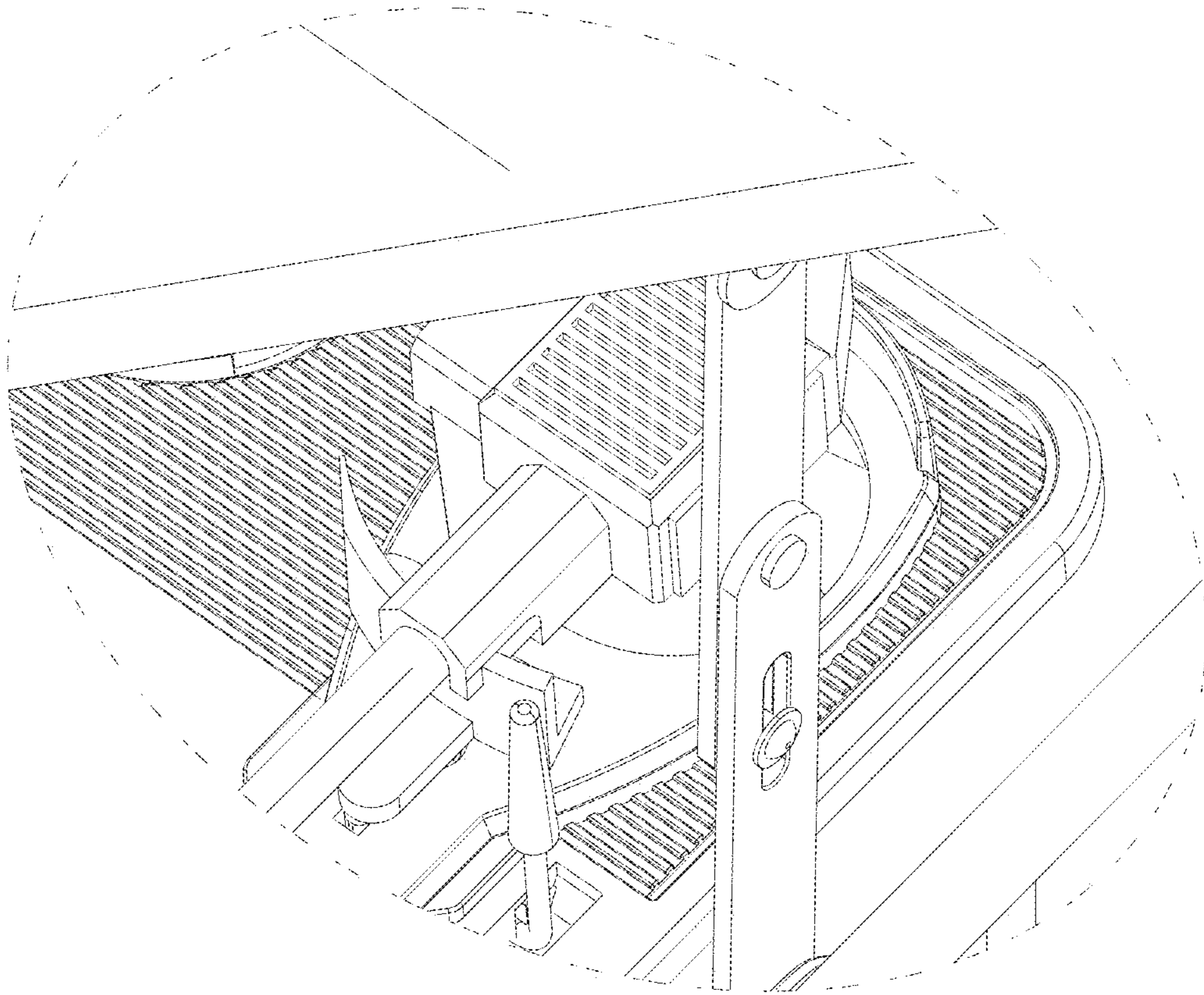


FIG. 10