



US00D980173S

(12) **United States Design Patent**
Young et al.

(10) **Patent No.:** **US D980,173 S**
(45) **Date of Patent:** **** Mar. 7, 2023**

- (54) **HORTICULTURAL LIGHTING CONTROLLER**
- (71) Applicant: **HGCI, Inc.**, Las Vegas, NV (US)
- (72) Inventors: **William Wai-Loong Young**, Vancouver, WA (US); **Jarred Joffe**, Vancouver, WA (US); **Martin Ray Mason, Jr.**, Vancouver, WA (US); **Dengke Cai**, Camas, WA (US); **Lance K. Melnichenko**, Vancouver, WA (US)
- (73) Assignee: **HGCI, Inc.**, Las Vegas, NV (US)
- (**) Term: **15 Years**
- (21) Appl. No.: **29/837,884**
- (22) Filed: **May 9, 2022**
- (51) **LOC (14) Cl.** **13-03**
- (52) **U.S. Cl.**
USPC **D13/162**; D14/447; D13/173
- (58) **Field of Classification Search**
USPC D13/156, 162, 164, 173, 177; D8/349, D8/350, 353, 354; D26/138; D14/217, D14/224, 229, 238, 251, 447
CPC H01H 9/02; H01H 9/287; H01H 83/04; H02G 3/04; H02G 3/12; H02G 3/14; H02G 3/121; H02G 3/123; H05K 5/0017; H05K 5/0204; H05K 5/14
See application file for complete search history.

- 8,710,728 B2 * 4/2014 Ozolins G06F 1/1601 220/2.1 R
 - 8,772,649 B1 * 7/2014 Gretz H02G 3/123 174/53
 - D727,271 S * 4/2015 Shi D13/162
 - D729,793 S * 5/2015 Hickok D14/371
 - 9,416,988 B2 * 8/2016 Khoury F24F 11/30
 - 9,478,960 B2 * 10/2016 Chiang H05K 5/0204
 - D794,646 S * 8/2017 Pelster D14/447
 - D813,241 S * 3/2018 Wengreen D14/496
 - 9,940,884 B1 * 4/2018 Musolin G09G 3/3607
 - 10,066,848 B1 * 9/2018 Lorenz F24F 11/30
- (Continued)

OTHER PUBLICATIONS

Gavita Master Controller EL3 Instructions; advertised Jul. 12, 2022 (metadata); 24 pgs.*

(Continued)

Primary Examiner — Selina Sikder

(74) *Attorney, Agent, or Firm* — Ulmer & Berne LLP

(57) **CLAIM**

The ornamental design for a horticultural lighting controller, as shown and described.

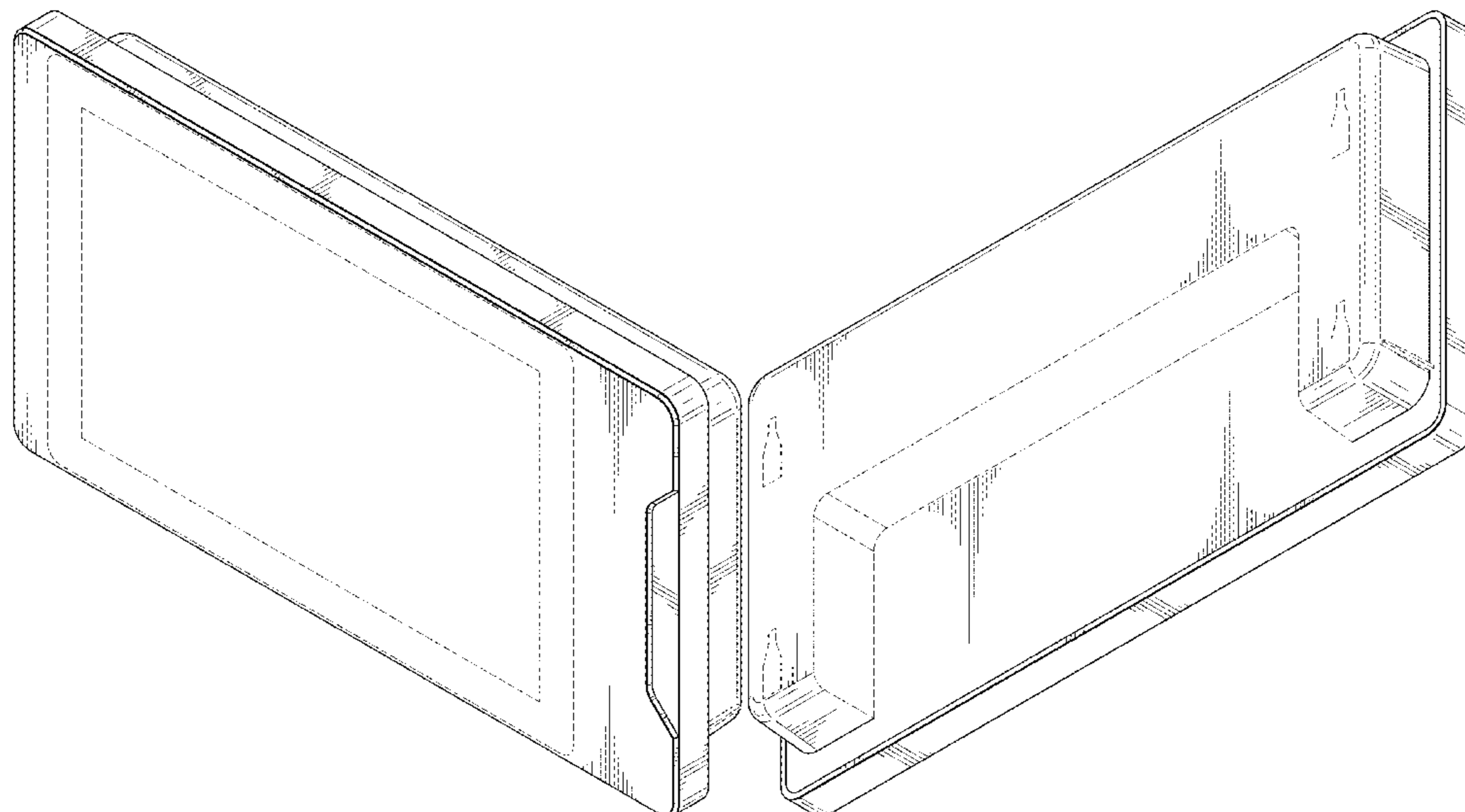
DESCRIPTION

FIG. 1 is a front perspective view of a horticultural lighting controller, showing our new design;
 FIG. 2 is a front view thereof;
 FIG. 3 is a rear view thereof;
 FIG. 4 is a right side view thereof;
 FIG. 5 is a left side view thereof;
 FIG. 6 is a top view thereof;
 FIG. 7 is a bottom view thereof; and,
 FIG. 8 is a rear perspective view thereof.

The broken lines in the figures illustrate portions of the horticultural lighting controller that form no part of the claimed design.

1 Claim, 6 Drawing Sheets

- (56) **References Cited**
U.S. PATENT DOCUMENTS
- D277,001 S * 1/1985 McGarvey D14/392
- D336,635 S * 6/1993 Johnston, Jr. D13/173
- D603,350 S * 11/2009 Melzner D13/164
- D605,496 S * 12/2009 Scheuermann D8/349
- D669,076 S * 10/2012 Haller D14/374
- D680,501 S * 4/2013 Elliott H05K 5/0247 D13/162
- D690,661 S * 10/2013 Wisniewski D13/162



(56)

References Cited

U.S. PATENT DOCUMENTS

D852,650 S * 7/2019 Zakharov D10/49
 D854,429 S * 7/2019 Gentle D10/50
 D861,177 S * 9/2019 Kim D24/186
 D871,351 S * 12/2019 Lee D13/156
 D871,490 S * 12/2019 Wengreen D16/242
 D894,021 S * 8/2020 Smith D10/50
 D894,716 S * 9/2020 Gutierrez D8/353
 D894,844 S * 9/2020 Boynton D13/162
 10,779,419 B2 * 9/2020 Giorio H05K 5/0204
 D900,041 S * 10/2020 Sakamoto D13/164
 10,808,963 B2 * 10/2020 Spors F24F 13/20
 D903,471 S * 12/2020 Deckelman D8/354
 D907,586 S * 1/2021 Lombardi D13/162
 D907,643 S * 1/2021 Wengreen D14/447
 11,107,390 B2 * 8/2021 Taylor, Jr. H05B 45/20
 D931,281 S * 9/2021 Turk D13/164
 D935,333 S * 11/2021 Bai D10/53
 D961,589 S * 8/2022 Sun D14/374
 2007/0018062 A1 * 1/2007 Calinescu F16M 11/10
 248/220.21
 2008/0179087 A1 * 7/2008 De Ambroggi H02G 3/14
 174/559
 2015/0201509 A1 * 7/2015 Le G02F 1/0105
 362/97.1

2015/0250315 A1 * 9/2015 Gross F16M 11/10
 361/679.01
 2015/0280410 A1 * 10/2015 Elberbaum G05B 15/02
 361/679.01
 2015/0305108 A1 * 10/2015 Probasco H05B 45/20
 47/58.1 LS
 2015/0359337 A1 * 12/2015 Bliven F16M 13/02
 361/679.01
 2016/0014910 A1 * 1/2016 Campagna H05K 7/20136
 361/679.01
 2016/0219794 A1 * 8/2016 Greenberg H05B 47/105
 2018/0014374 A1 * 1/2018 Rhodes H05B 47/19
 2019/0011952 A1 * 1/2019 Galipeau F16M 13/022
 2019/0223303 A1 * 7/2019 Chang F16M 11/22
 2019/0341760 A1 * 11/2019 Okura H02G 15/10
 2020/0018514 A1 * 1/2020 Howe H05K 5/0017
 2020/0186380 A1 * 6/2020 Bonnin Pons-Estel
 G05B 15/02
 2021/0372645 A1 * 12/2021 Harder F24F 11/52

OTHER PUBLICATIONS

Gavita Master Controller EL3 Instructions metadata, Jul. 12, 2022;
 1 pg.*
 Bluelab CONTPHCON pH Controller; date first available Dec. 7,
 2014; 2 pgs.*

* cited by examiner

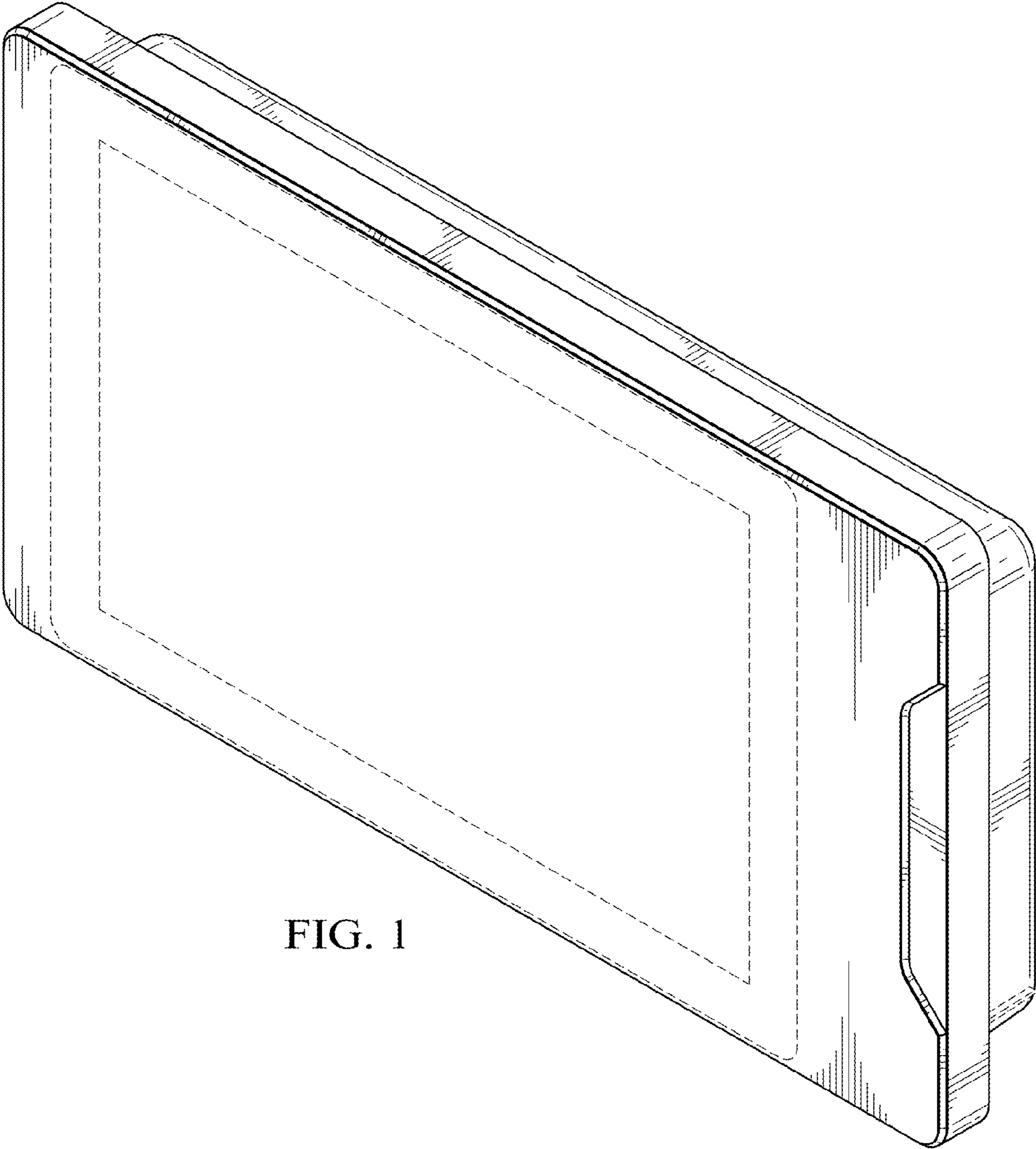


FIG. 1

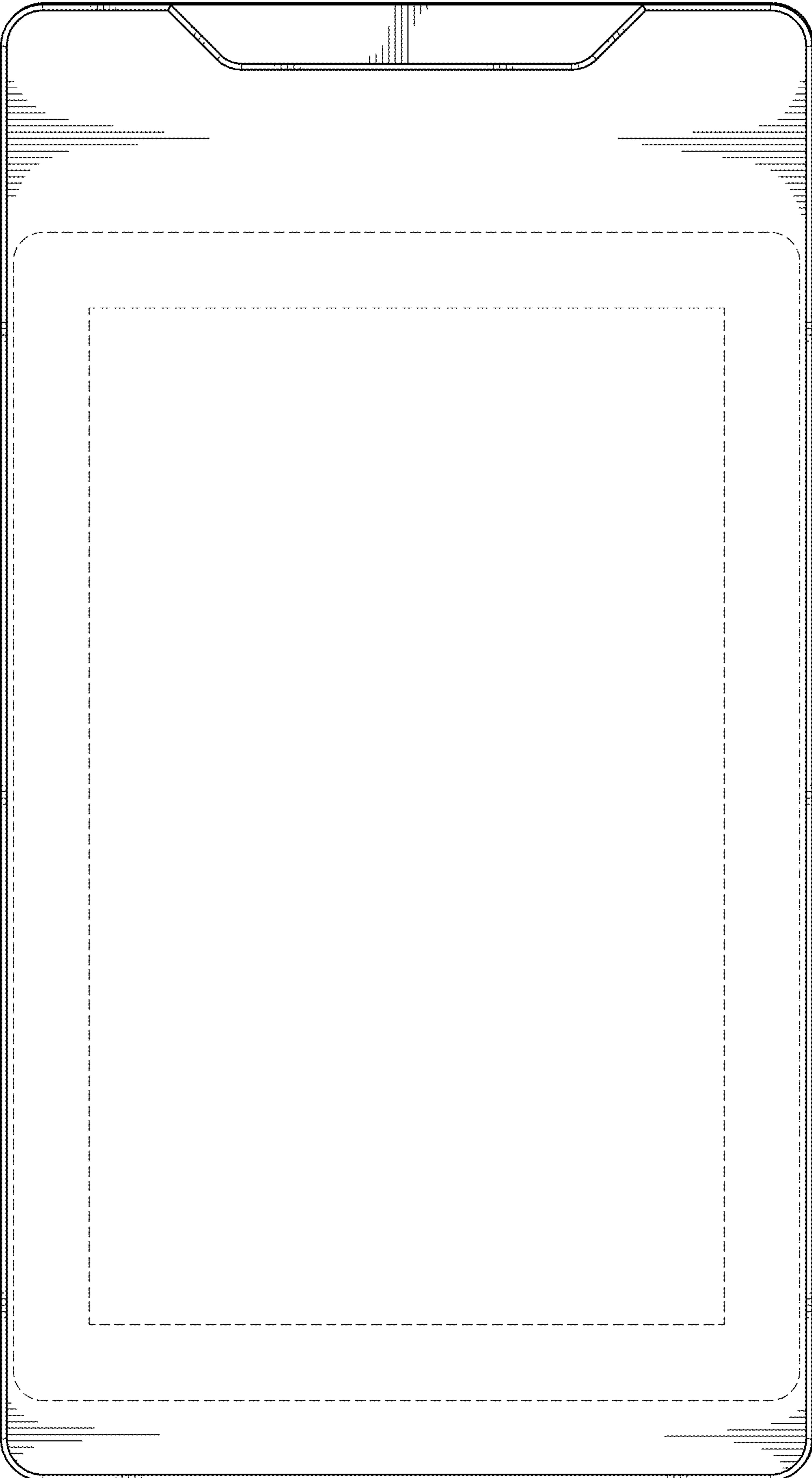


FIG. 2

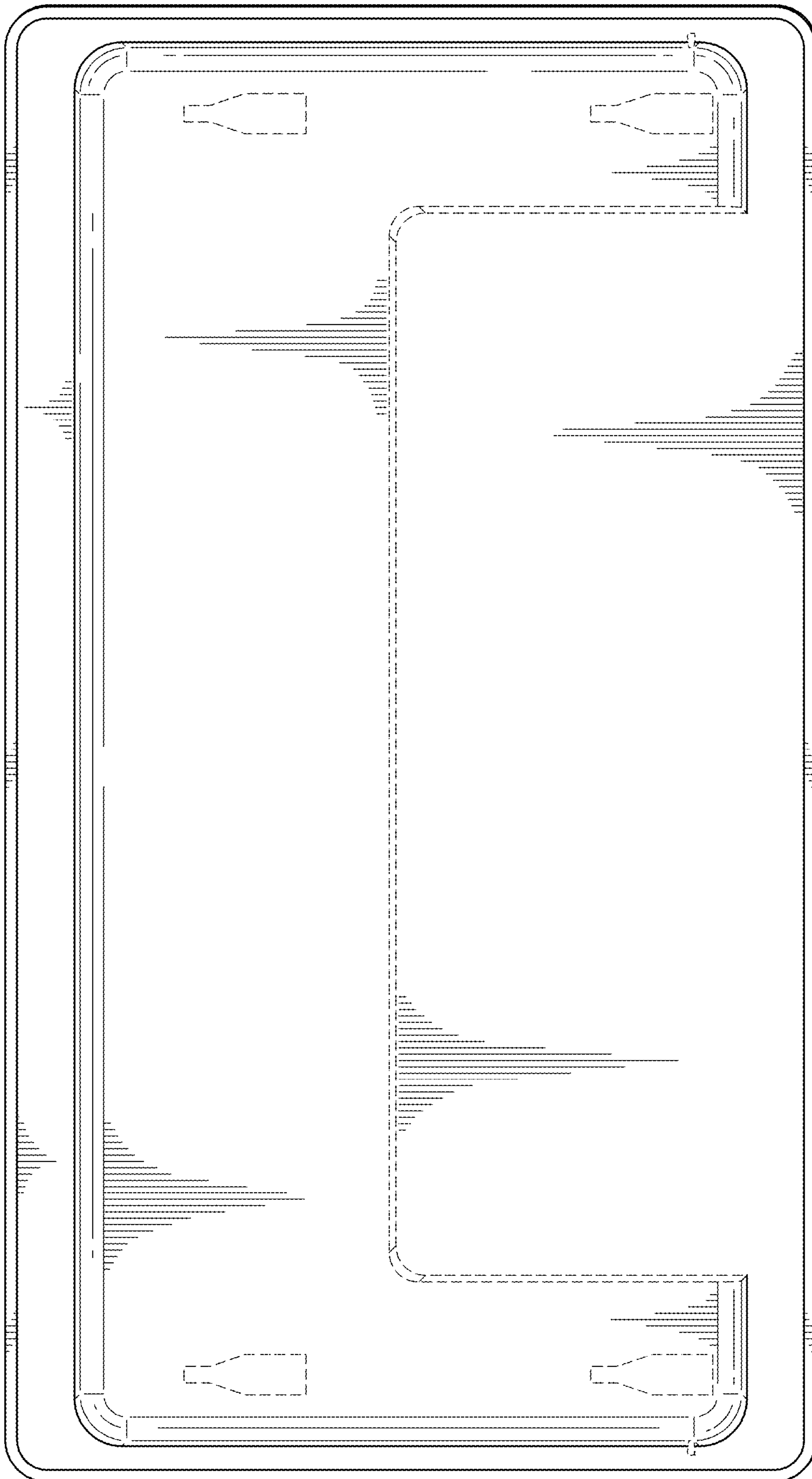


FIG. 3

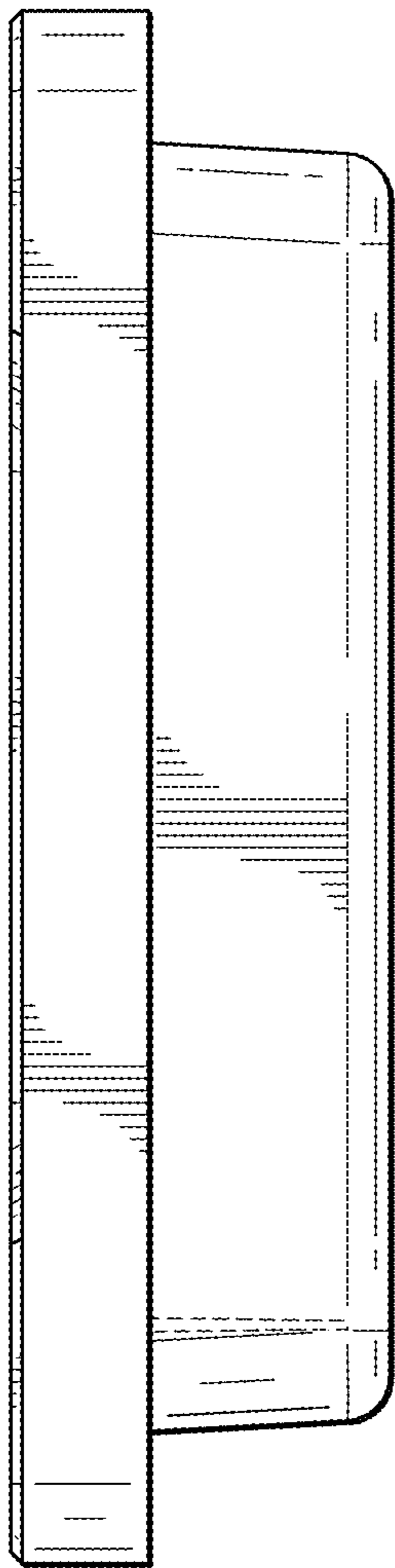


FIG. 4

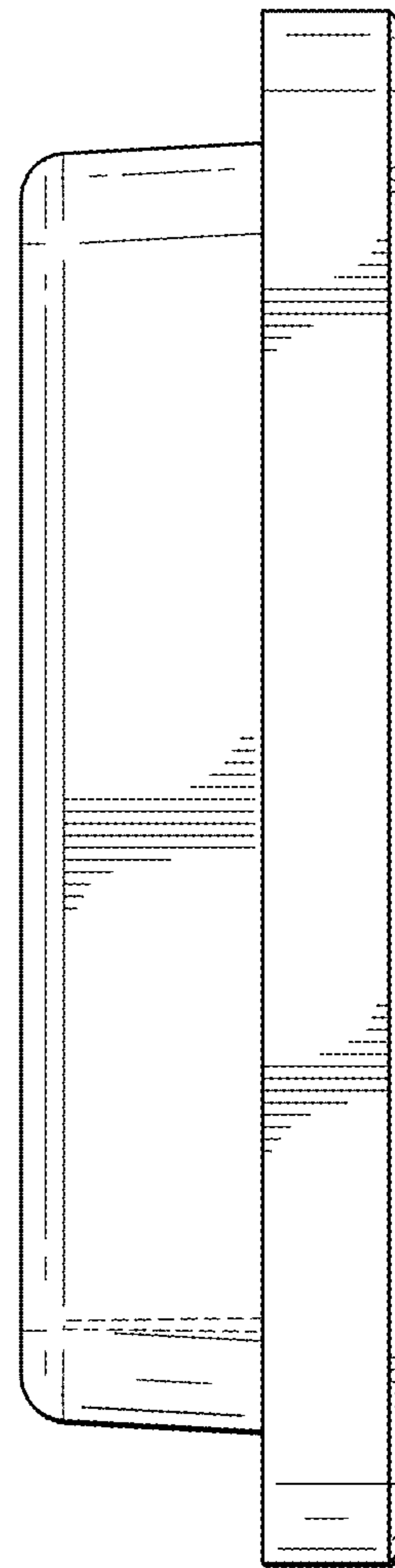


FIG. 5

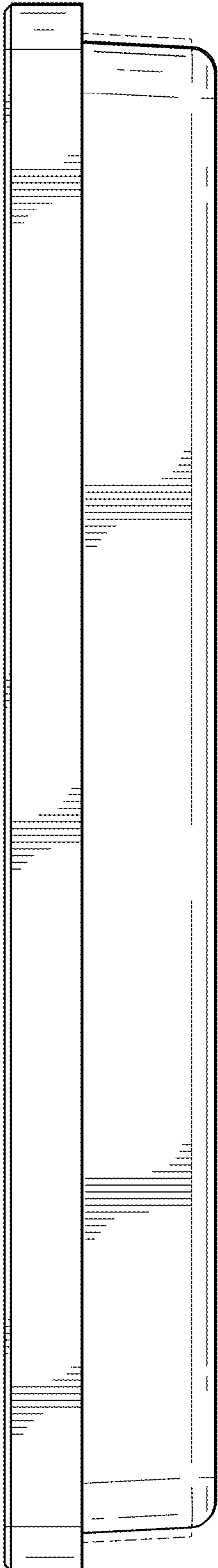


FIG. 6

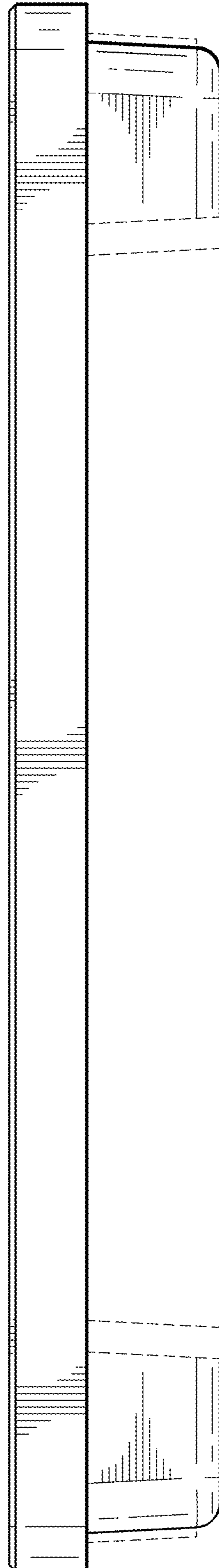


FIG. 7

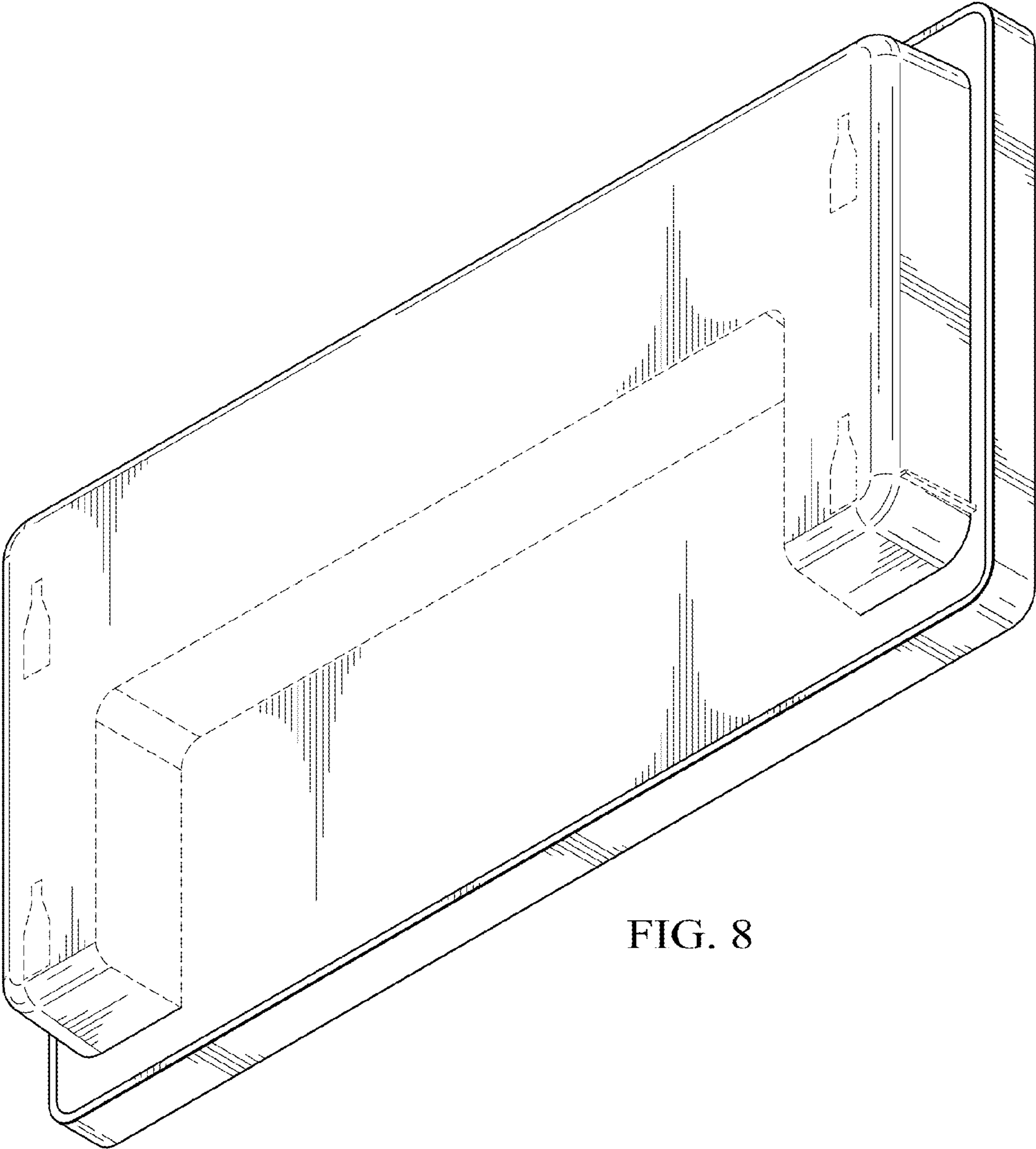


FIG. 8