



US00D980172S

(12) **United States Design Patent**  
**Fujita et al.**

(10) **Patent No.:** **US D980,172 S**  
(45) **Date of Patent:** **\*\* Mar. 7, 2023**

(54) **SWITCH**

(71) Applicant: **OMRON Corporation**, Kyoto (JP)

(72) Inventors: **Hiroyuki Fujita**, Okayama (JP); **Kenji Shinohara**, Nagaokakyo (JP); **Hiroto Yonehara**, Okayama (JP)

(73) Assignee: **OMRON Corporation**, Kyoto (JP)

(\*\*) Term: **15 Years**

(21) Appl. No.: **29/806,698**

(22) Filed: **Sep. 6, 2021**

(30) **Foreign Application Priority Data**

Apr. 16, 2021 (JP) ..... 2021-008159 D

(51) **LOC (14) Cl.** ..... **13-03**

(52) **U.S. Cl.**  
USPC ..... **D13/158**

(58) **Field of Classification Search**

USPC ..... D13/154, 158–159, 162, 168–169, 171,  
D13/173–174, 178, 199; D23/233

CPC ..... H01H 1/36; H01H 13/063; H01H 13/05;  
H01H 13/14; H01H 13/28; H01H 13/48;  
H01H 13/50; H01H 13/74; H02B 11/127;  
H02B 1/044

See application file for complete search history.

(56) **References Cited**

**U.S. PATENT DOCUMENTS**

D206,122 S *	11/1966	Bradbury et al.	.....	D13/158
4,514,601 A *	4/1985	Buchanan	.....	H01H 13/74 200/5 E
5,191,969 A *	3/1993	Berger	.....	H02B 1/044 200/295
D384,647 S *	10/1997	Kopser	.....	D13/171
D477,286 S *	7/2003	Krajci	.....	D13/162
D500,744 S *	1/2005	Michaud	.....	D13/174
D588,069 S *	3/2009	Cummings	.....	D13/158

D603,345 S *	11/2009	Melzner	.....	D13/162
D886,070 S *	6/2020	Giovanni	.....	D13/162
D924,177 S *	7/2021	Chandler, Jr.	.....	D13/158
2013/0256104 A1 *	10/2013	Fujita	.....	H01H 1/36 200/252
2015/0041294 A1 *	2/2015	Lee	.....	H01H 13/28 200/293

(Continued)

**OTHER PUBLICATIONS**

Panasonic, Date: Jan. 2021, [online], [site visited Nov. 17, 2022]. Available from internet, URL: <https://na.industrial.panasonic.com/products/electromechanical/switches/lineup/seal-type-snap-action-switches/series/142441> (Year: 2021).\*

(Continued)

*Primary Examiner* — Shawn T Gingrich

*Assistant Examiner* — Bryan N. Melvin

(74) *Attorney, Agent, or Firm* — Capitol City TechLaw

(57) **CLAIM**

The ornamental design for a switch, as shown and described.

**DESCRIPTION**

FIG. 1 is a top, front, and right side perspective view of a switch, showing our new design;

FIG. 2 is a bottom, rear, and left side perspective view thereof;

FIG. 3 is a front view thereof,

FIG. 4 is a rear view thereof;

FIG. 5 is a left side view thereof;

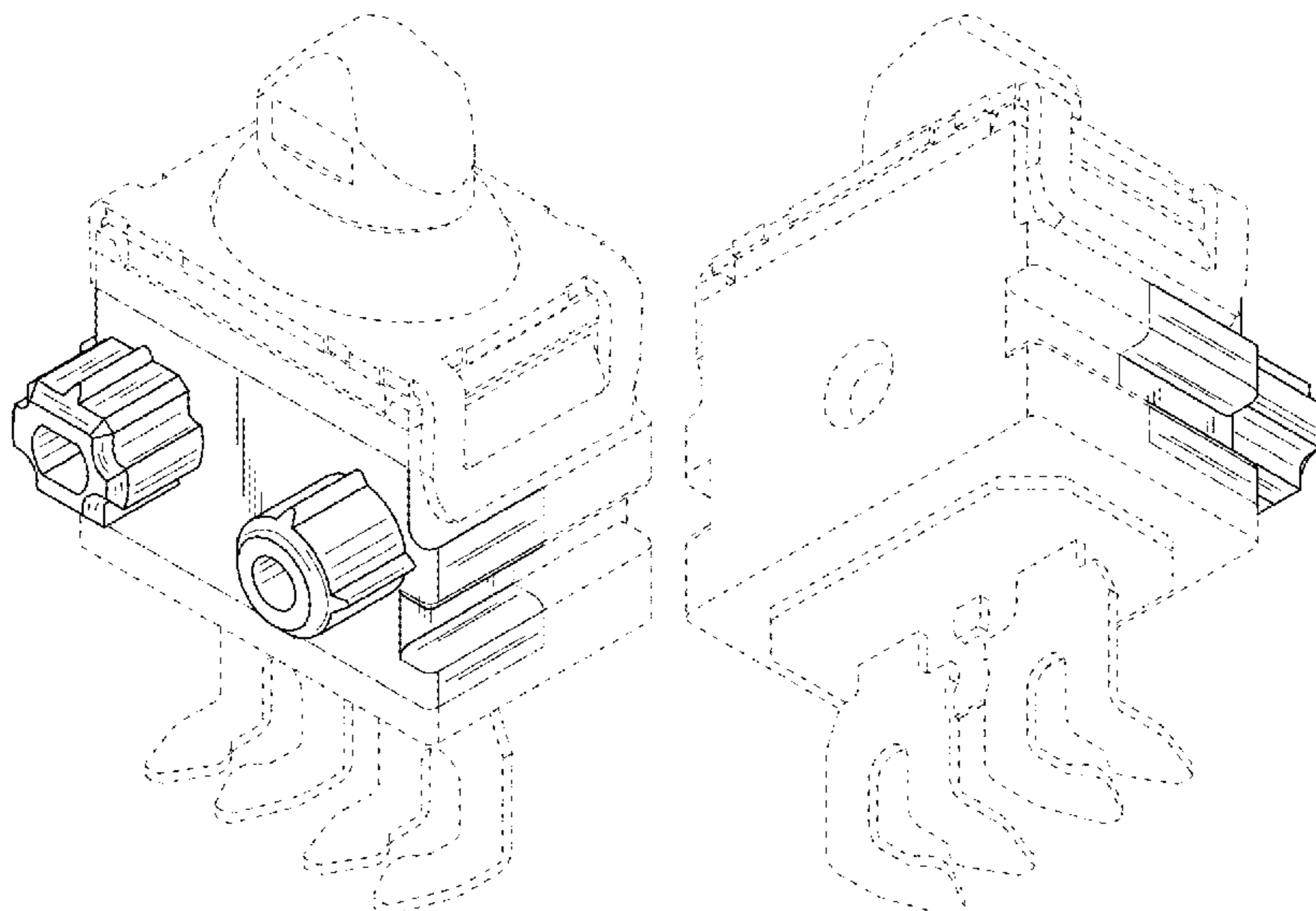
FIG. 6 is a right side view thereof;

FIG. 7 is a top view thereof; and,

FIG. 8 is a bottom view thereof.

The dashed broken lines in the figures show portions of the switch that form no part of the claimed design. The dot-dashed broken lines in the figures represent boundaries and form no part of the claimed design.

**1 Claim, 4 Drawing Sheets**



(56)

**References Cited**

U.S. PATENT DOCUMENTS

2022/0328264 A1\* 10/2022 Fujita ..... H01H 13/50

OTHER PUBLICATIONS

E-Weekly, Date: Oct. 11, 2022, [online], [site visited Nov. 17, 2022]. Available from internet, URL: <https://www.electronicweekly.com/news/products/emech-enclosures/bent-lead-actuator-adds-flexibility-to-tiny-sealed-switches-2022-10/> (Year: 2022).\*

\* cited by examiner

FIG. 1

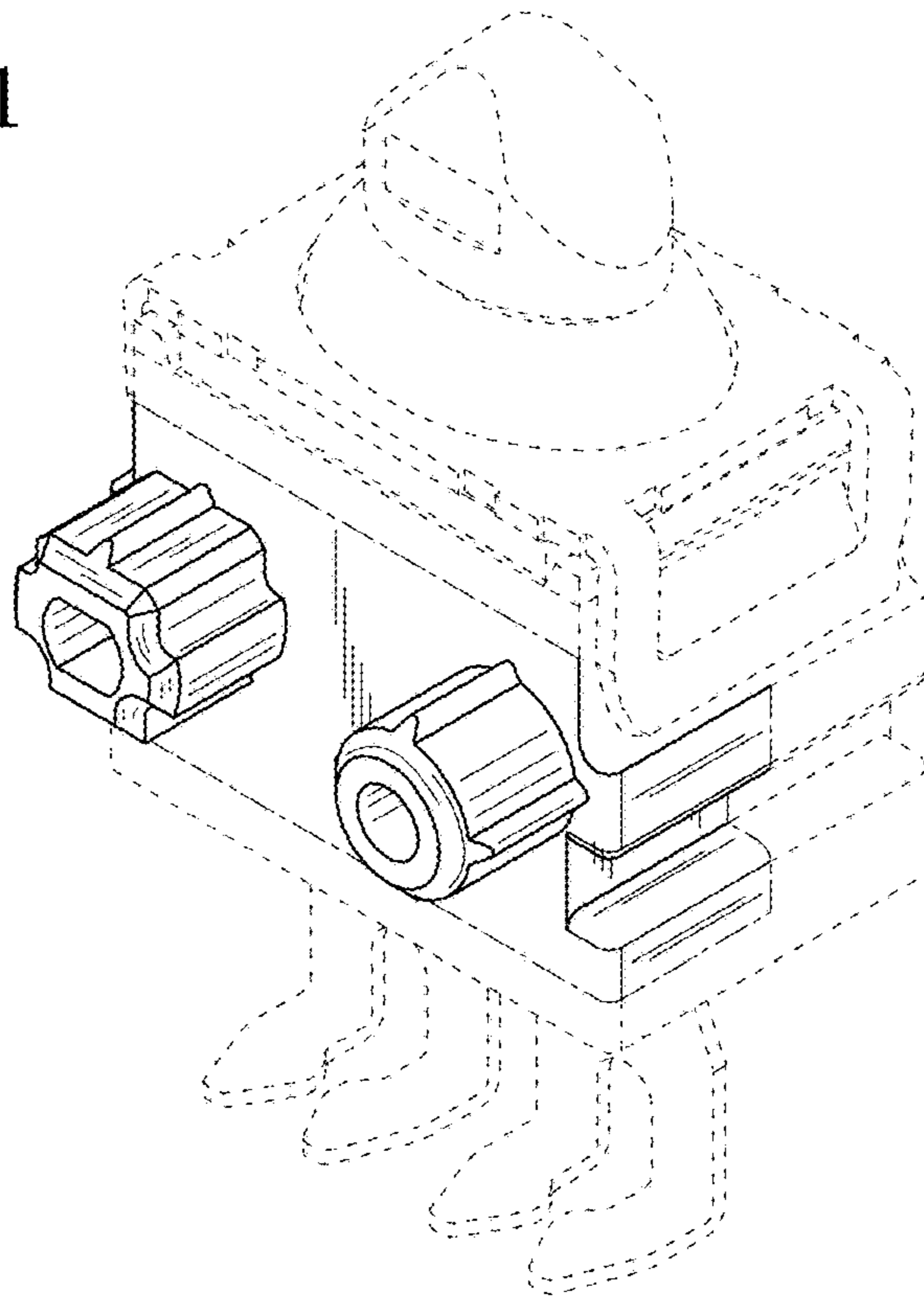


FIG. 2

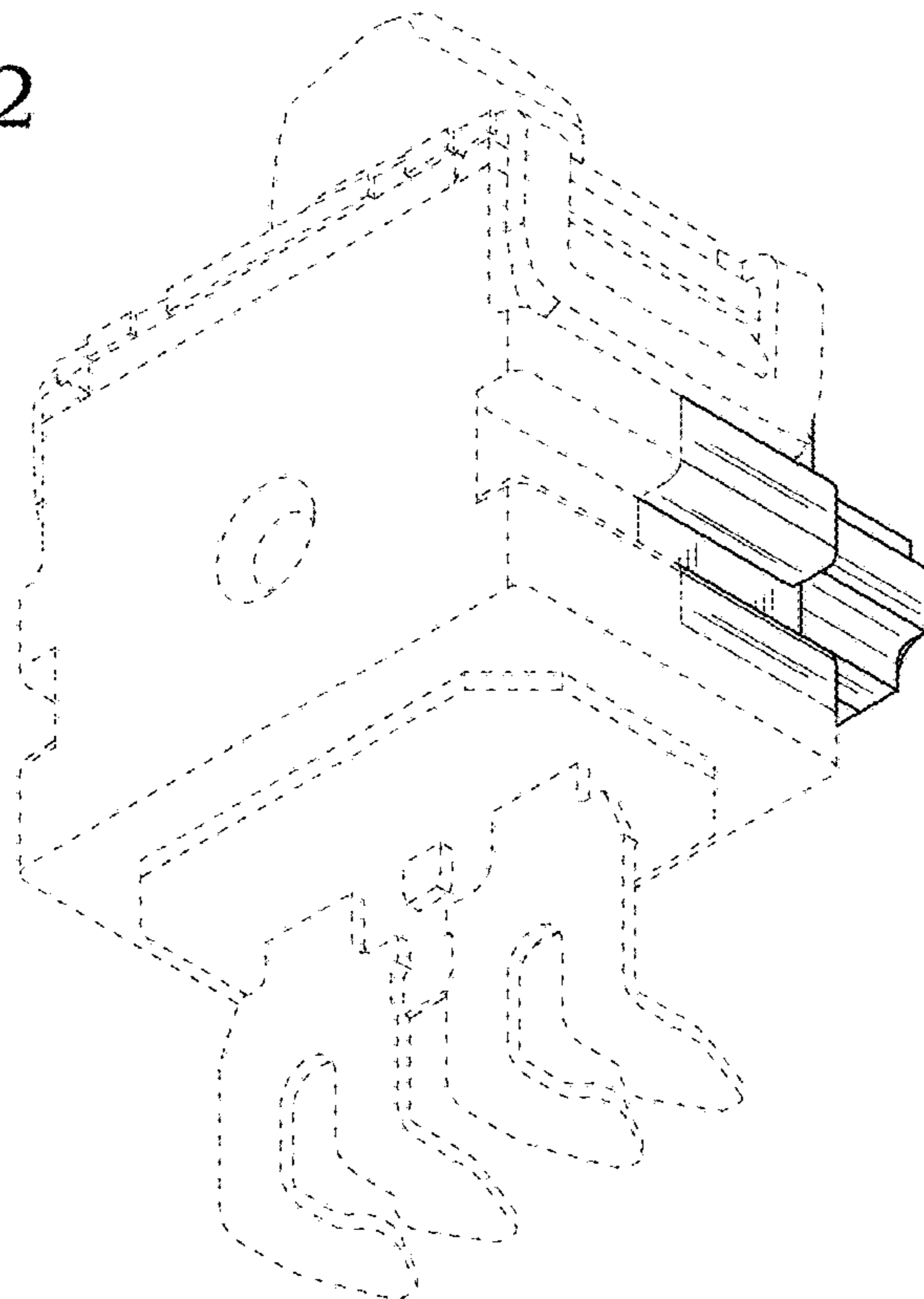


FIG. 3

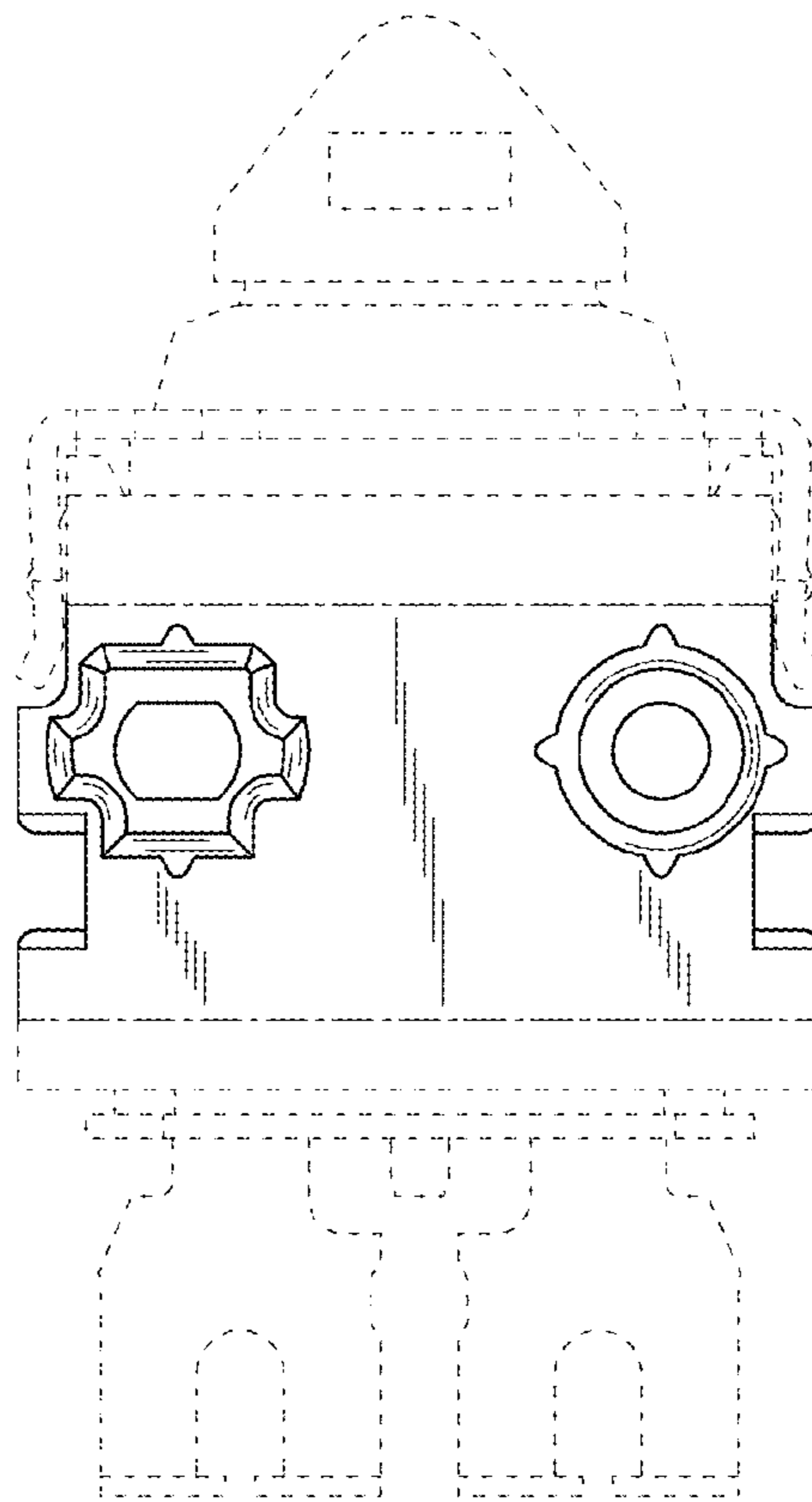


FIG. 4

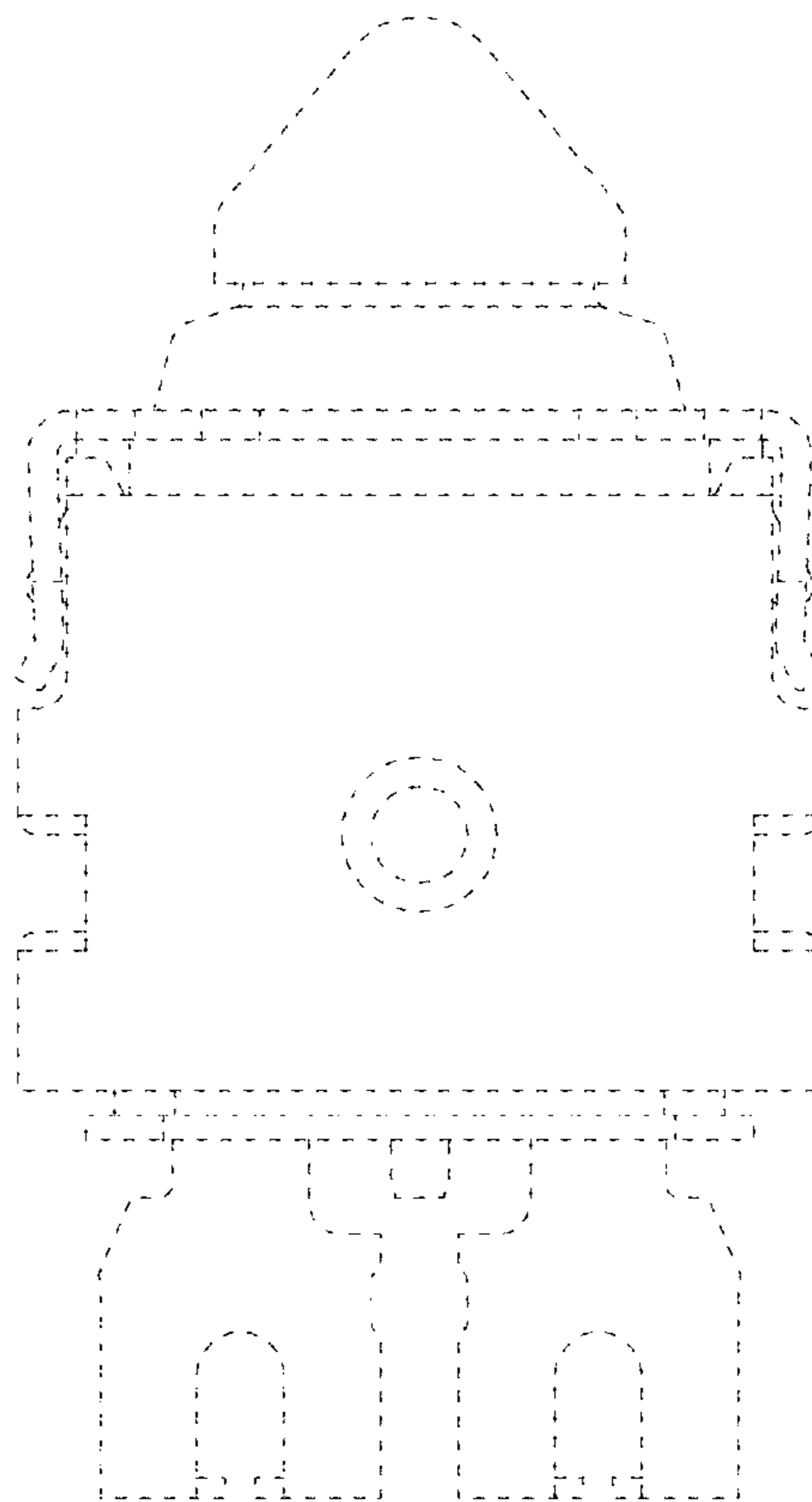


FIG. 5

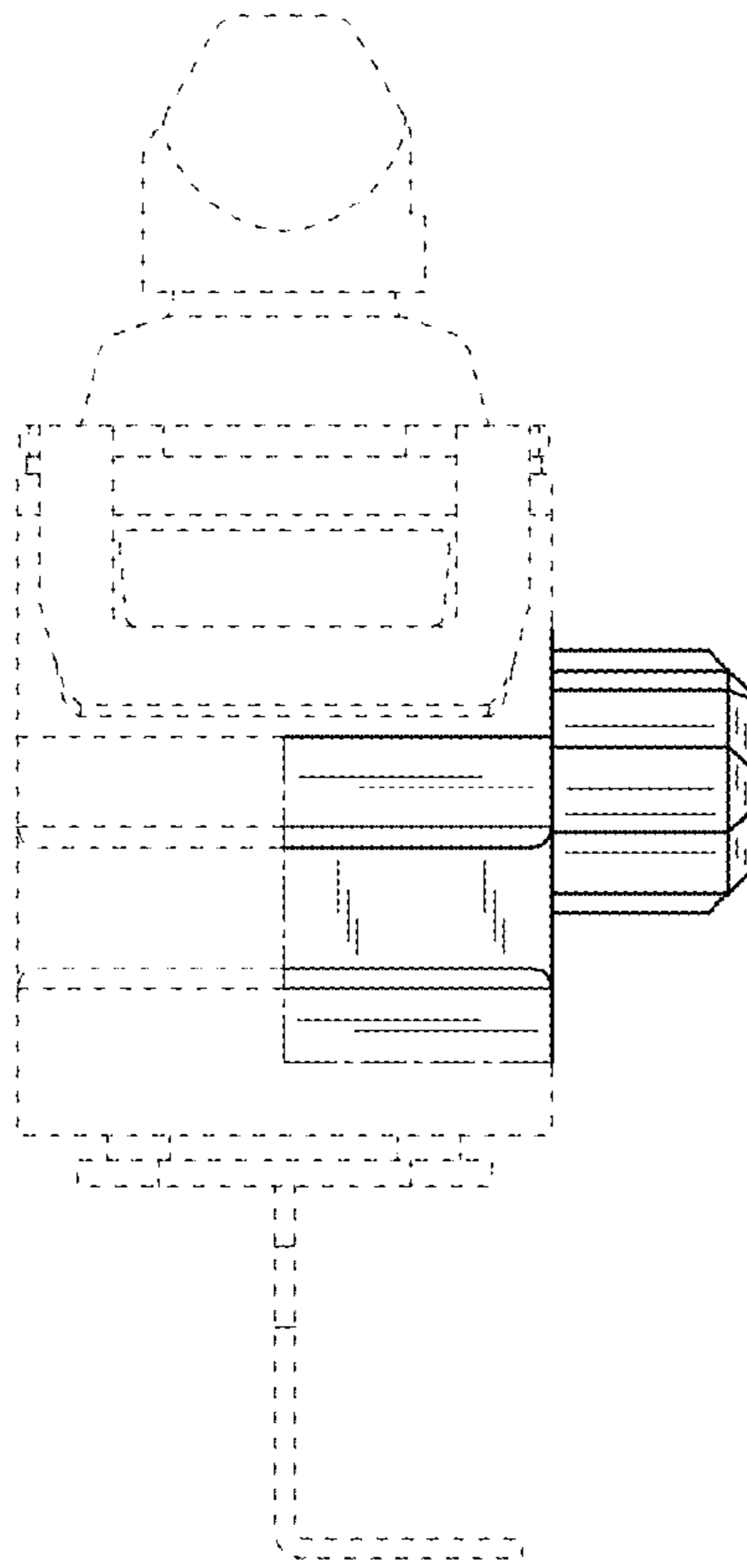


FIG. 6

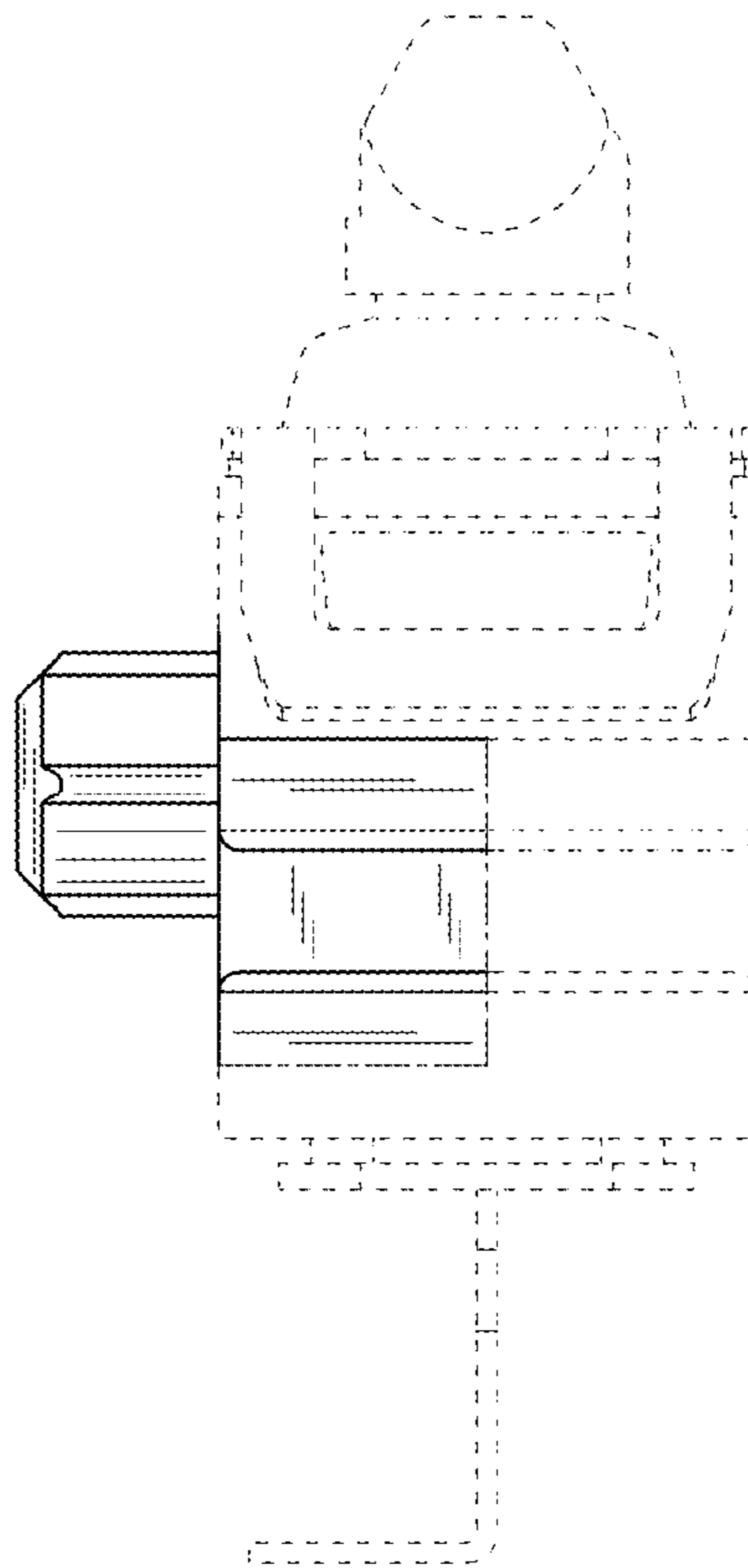


FIG. 7

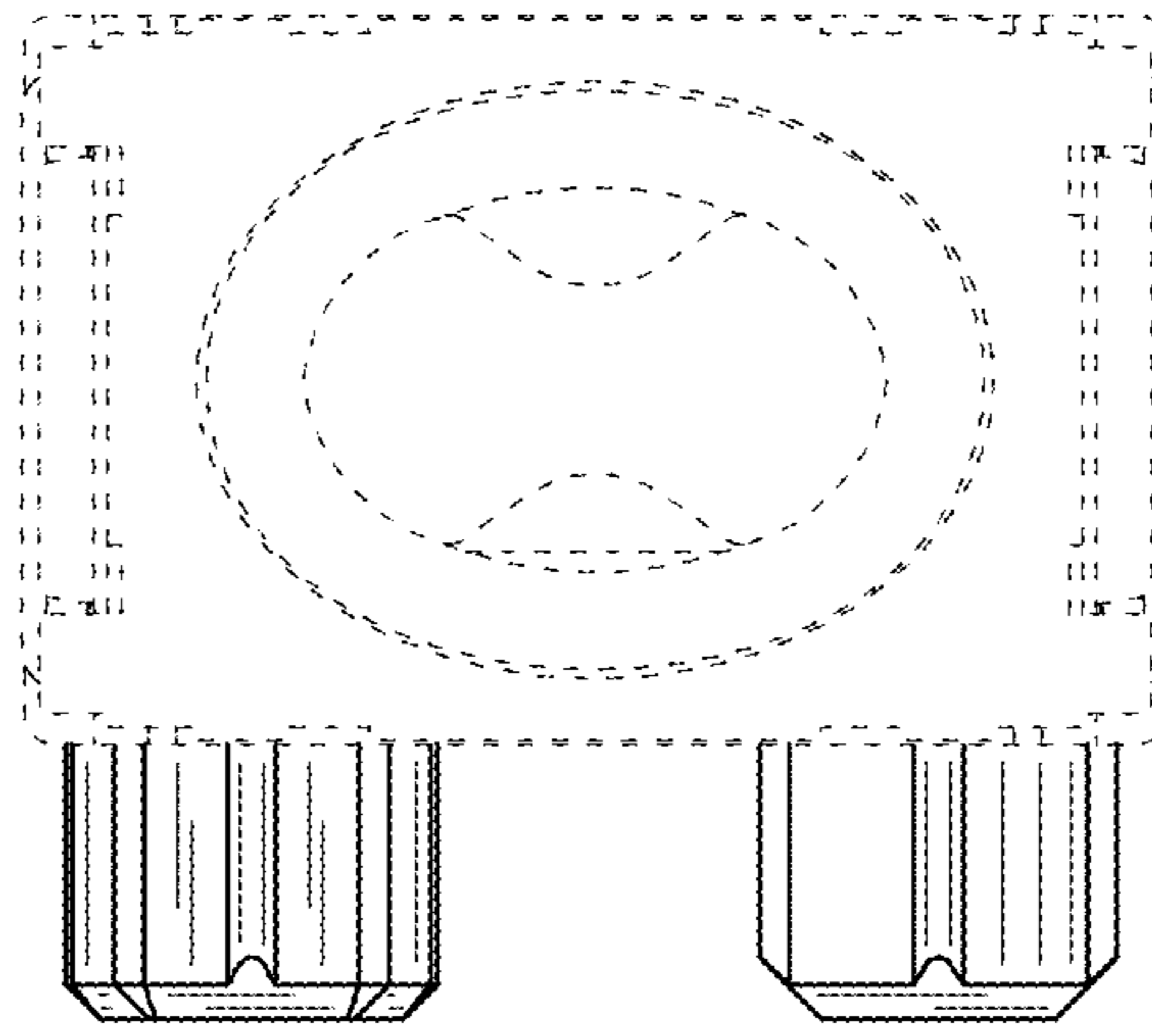


FIG. 8

