



US00D980171S

(12) **United States Design Patent**
Fujita et al.

(10) **Patent No.:** **US D980,171 S**
(45) **Date of Patent:** **** Mar. 7, 2023**

(54) **SWITCH**

(71) Applicant: **OMRON Corporation**, Kyoto (JP)

(72) Inventors: **Hiroyuki Fujita**, Okayama (JP); **Kenji Shinohara**, Nagaokakyo (JP); **Hiroto Yonehara**, Okayama (JP)

(73) Assignee: **OMRON Corporation**, Kyoto (JP)

(**) Term: **15 Years**

(21) Appl. No.: **29/806,695**

(22) Filed: **Sep. 6, 2021**

(30) **Foreign Application Priority Data**

Apr. 16, 2021 (JP) 2021-008157 D

(51) **LOC (14) Cl.** **13-03**

(52) **U.S. Cl.**
USPC **D13/158**; D13/171

(58) **Field of Classification Search**
USPC D13/154, 158–159, 162, 168–169, 171,
D13/173–174, 178, 199; D23/233
CPC H01H 1/36; H01H 13/063; H01H 13/05;
H01H 13/14; H01H 13/28; H01H 13/48;
H02B 11/127

See application file for complete search history.

(56) **References Cited**

U.S. PATENT DOCUMENTS

D214,450 S * 6/1969 Clarke D13/158
3,767,022 A * 10/1973 Olson H01H 13/50
400/477
4,230,922 A * 10/1980 Habecker H01H 13/063
277/634
7,235,754 B2 * 6/2007 Rochon H01H 13/48
200/406
D692,395 S * 10/2013 Takahashi D13/158
8,916,784 B2 * 12/2014 Chuang H01H 13/28
200/5 R

D743,917 S * 11/2015 Muramoto D13/171
D761,211 S * 7/2016 Muramoto D13/171
10,796,860 B2 * 10/2020 Iliev H01H 13/14
11,349,282 B2 * 5/2022 Park H02B 11/127
2013/0256104 A1 * 10/2013 Fujita H01H 1/36
200/252
2015/0041294 A1 * 2/2015 Lee H01H 13/28
200/293

(Continued)

OTHER PUBLICATIONS

Panasonic, Date: Jan. 2021, [online], [site visited Nov. 17, 2022]. Available from internet, URL: <https://na.industrial.panasonic.com/products/electromechanical/switches/lineup/seal-type-snap-action-switches/series/142441> (Year: 2021).*

(Continued)

Primary Examiner — Shawn T Gingrich

Assistant Examiner — Bryan N. Melvin

(74) *Attorney, Agent, or Firm* — Capitol City TechLaw

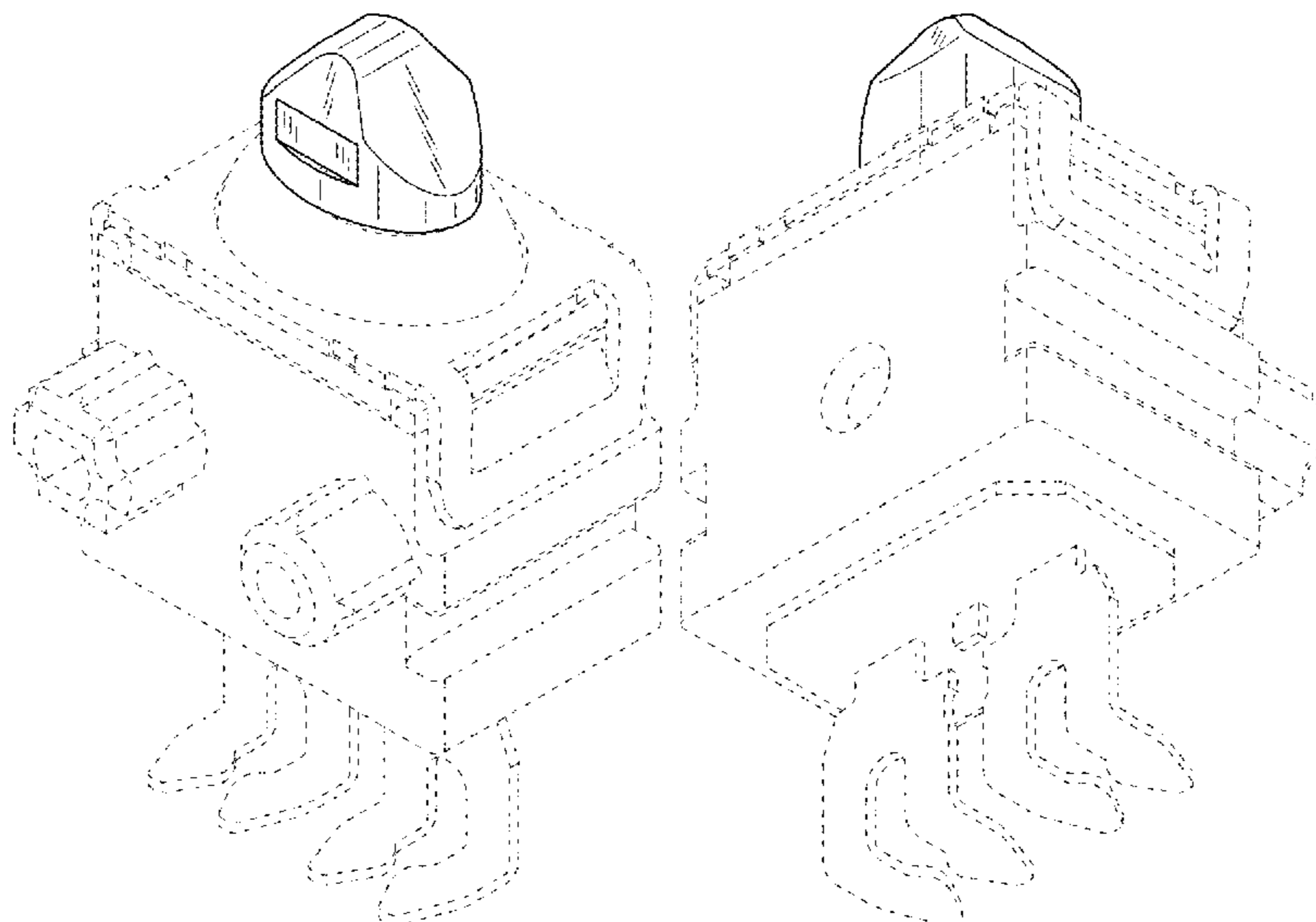
(57) **CLAIM**

The ornamental design for a switch, as shown and described.

DESCRIPTION

FIG. 1 is a top, front, and right side perspective view of a switch, showing our new design;
FIG. 2 is a bottom, rear, and left side perspective view thereof;
FIG. 3 is a front view thereof;
FIG. 4 is a rear view thereof;
FIG. 5 is a left side view thereof;
FIG. 6 is a right side view thereof;
FIG. 7 is a top view thereof; and,
FIG. 8 is a bottom view thereof.
The dashed broken lines in the figures show portions of the switch that form no part of the claimed design.

1 Claim, 4 Drawing Sheets



(56)

References Cited

U.S. PATENT DOCUMENTS

2022/0328264 A1* 10/2022 Fujita H01H 13/50

OTHER PUBLICATIONS

E-Weekly, Date: Oct. 11, 2022, [online], [site visited Nov. 17, 2022]. Available from internet, URL: <https://www.electronicweekly.com/news/products/emech-enclosures/bent-lead-actuator-adds-flexibility-to-tiny-sealed-switches-2022-10/> (Year: 2022).*

* cited by examiner

FIG. 1

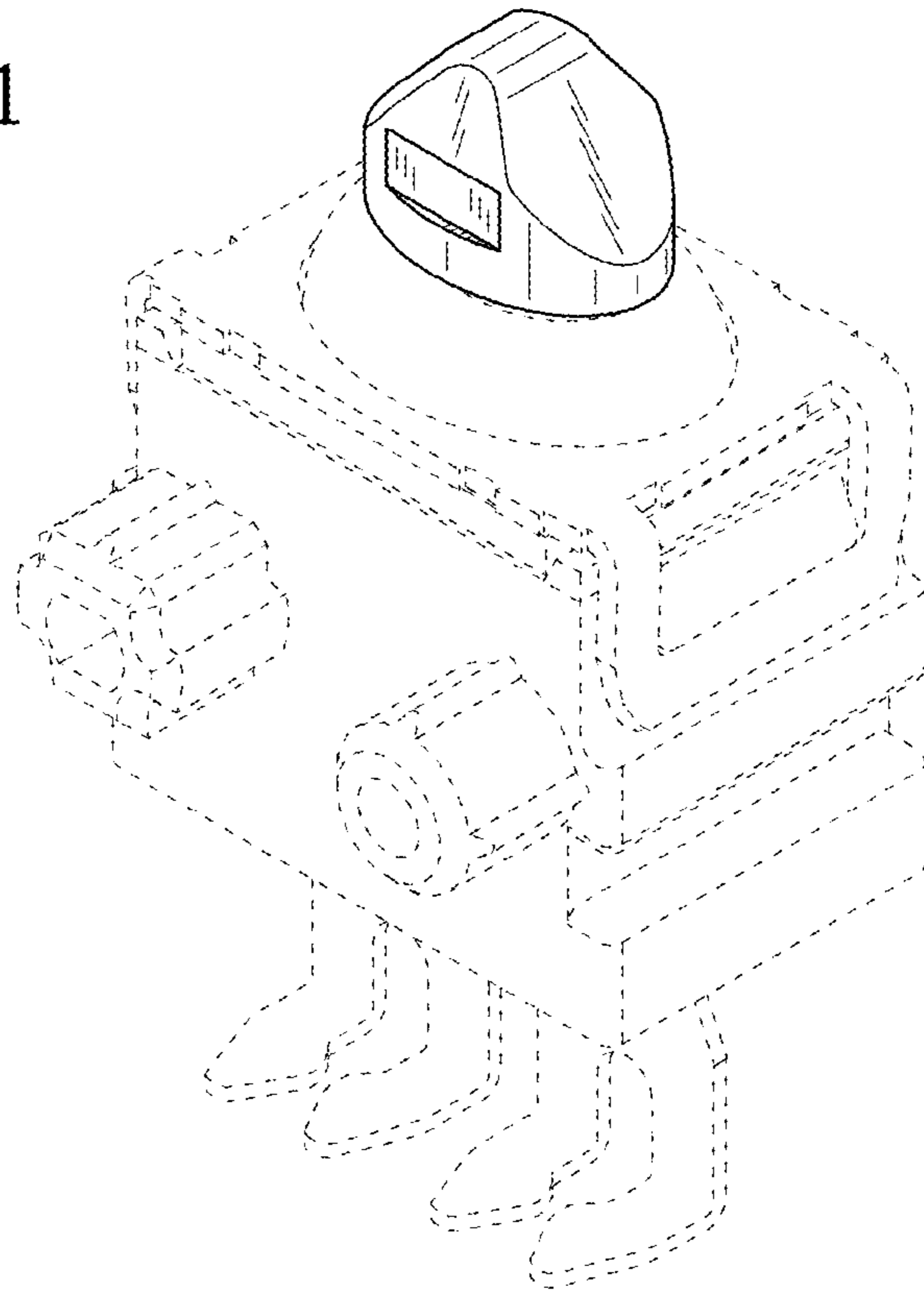


FIG. 2

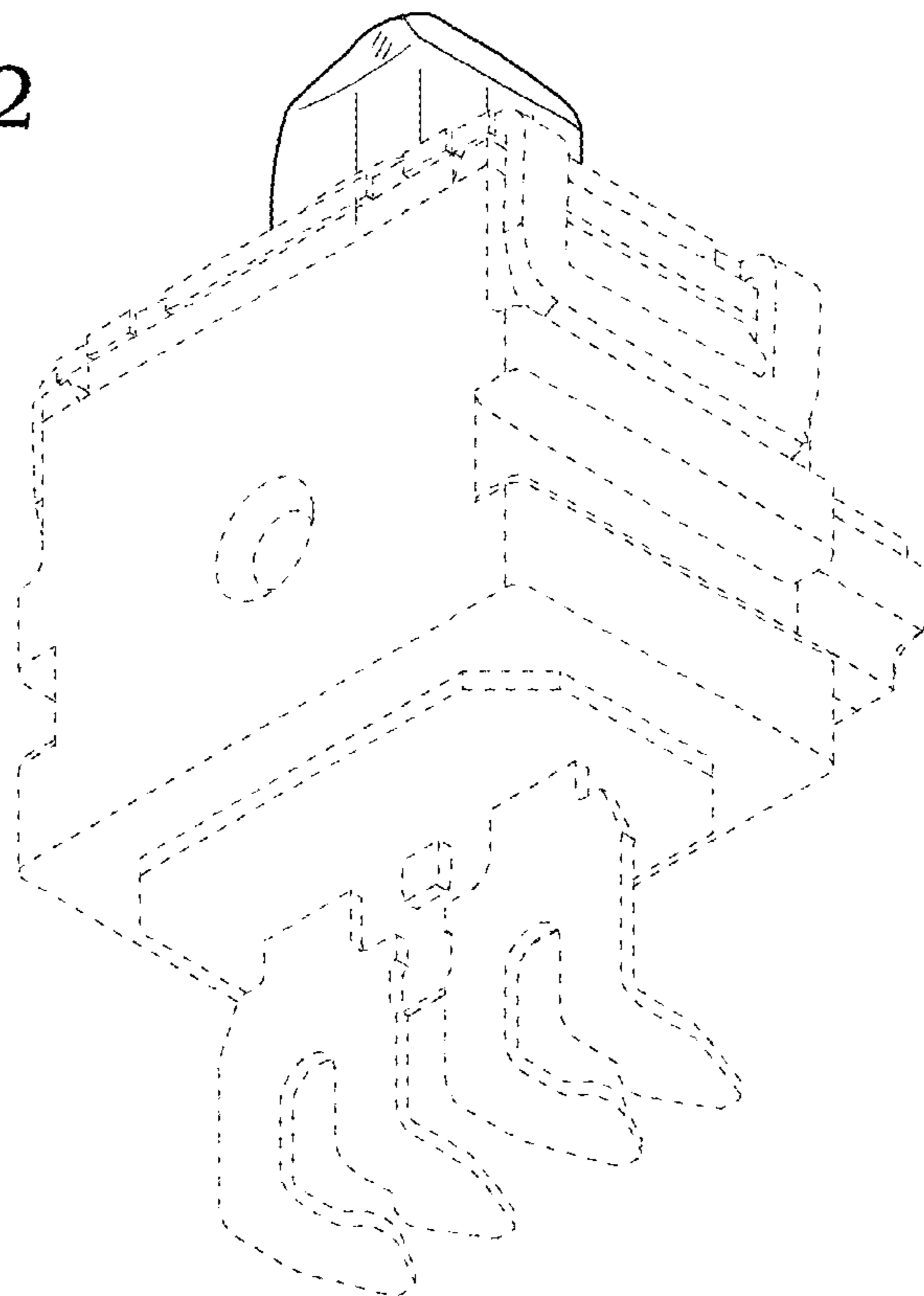


FIG. 3

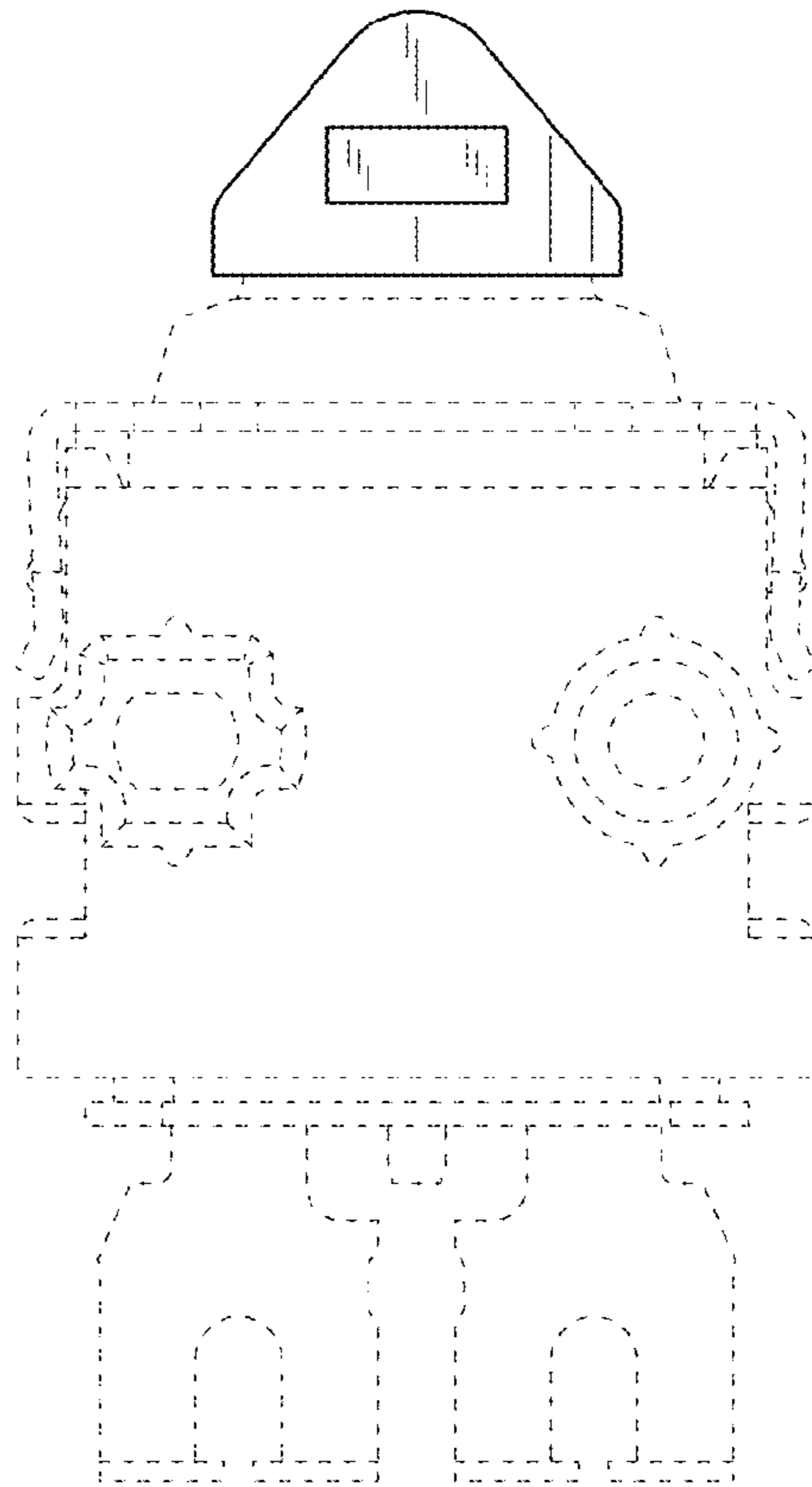


FIG. 4

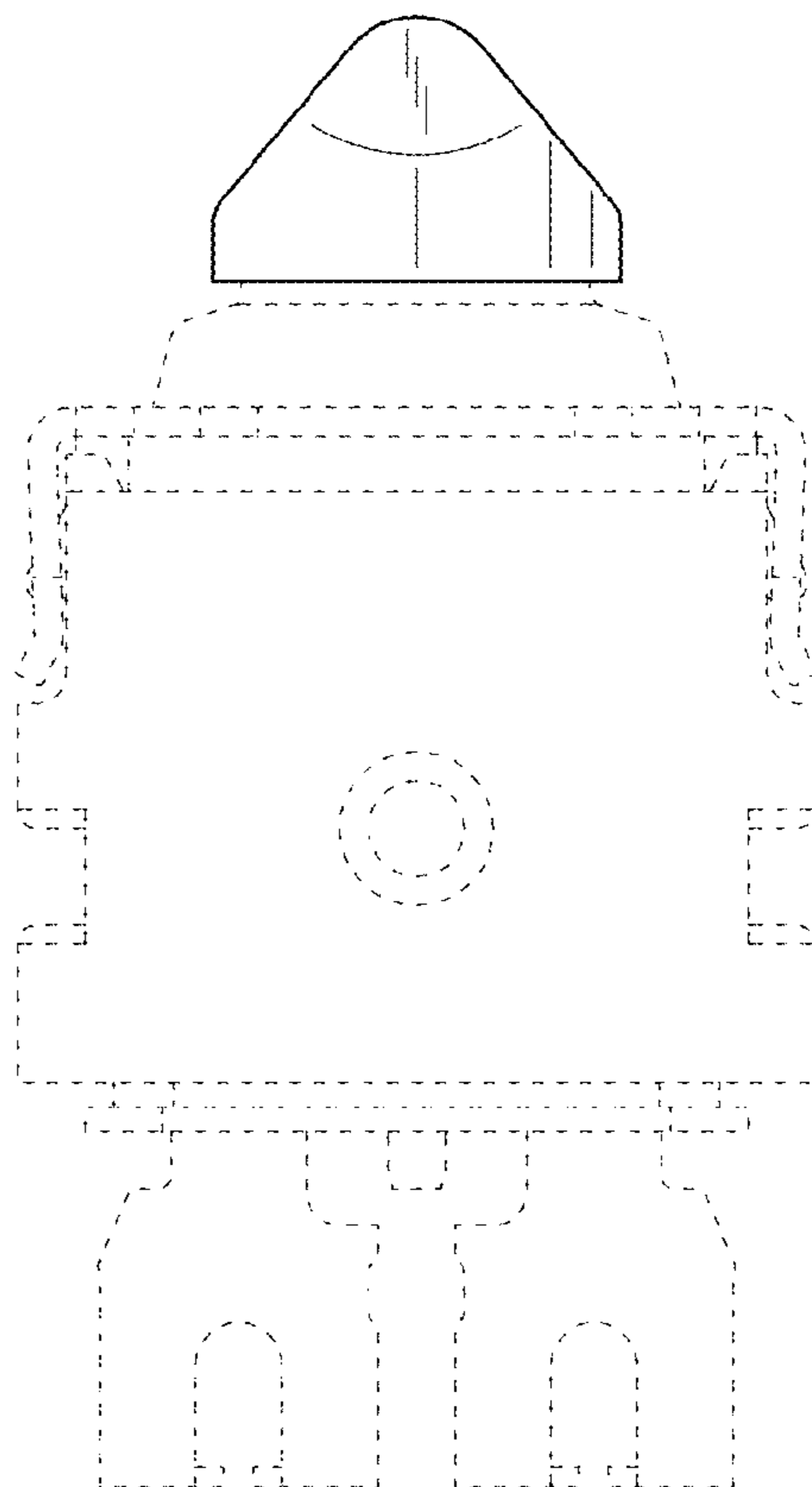


FIG. 5

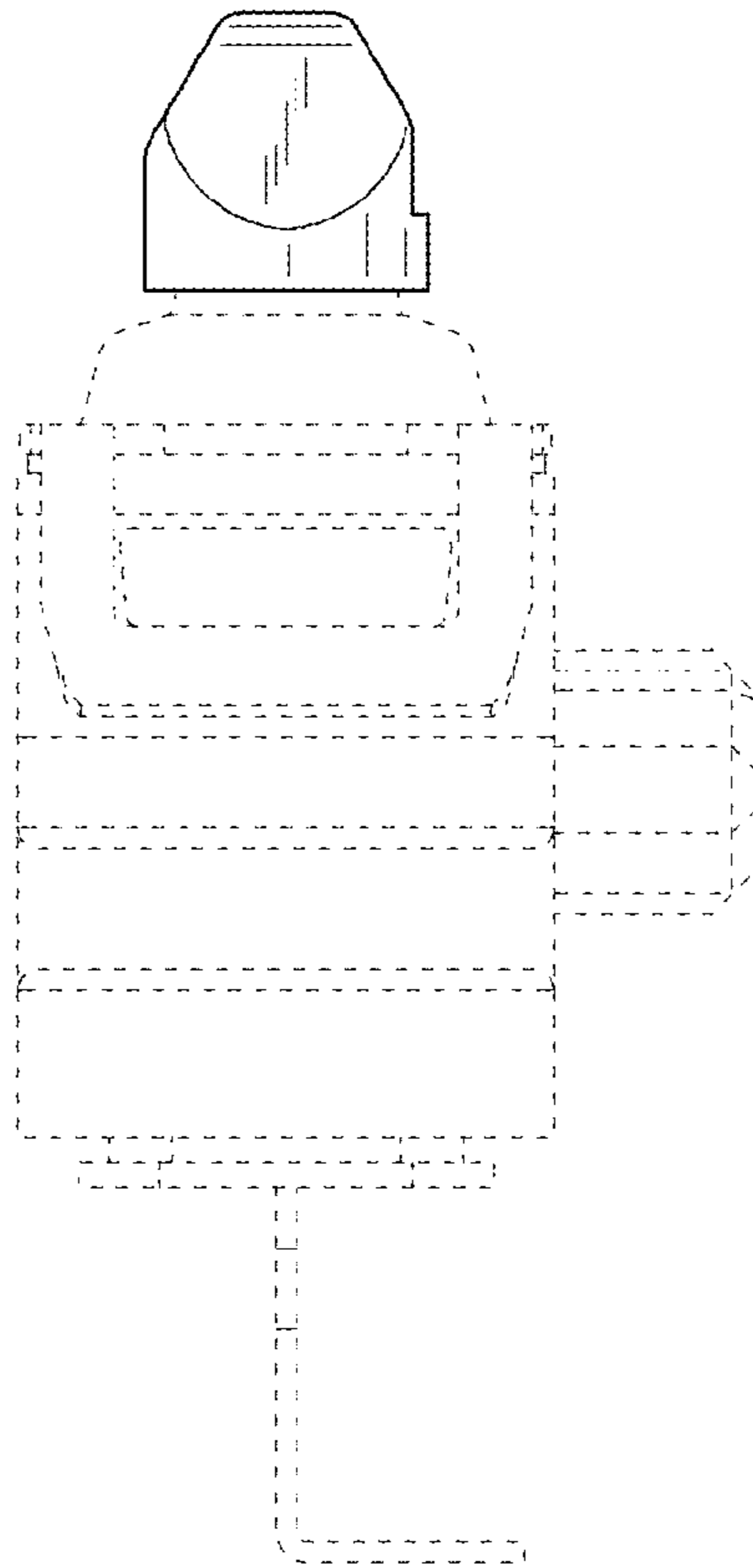


FIG. 6

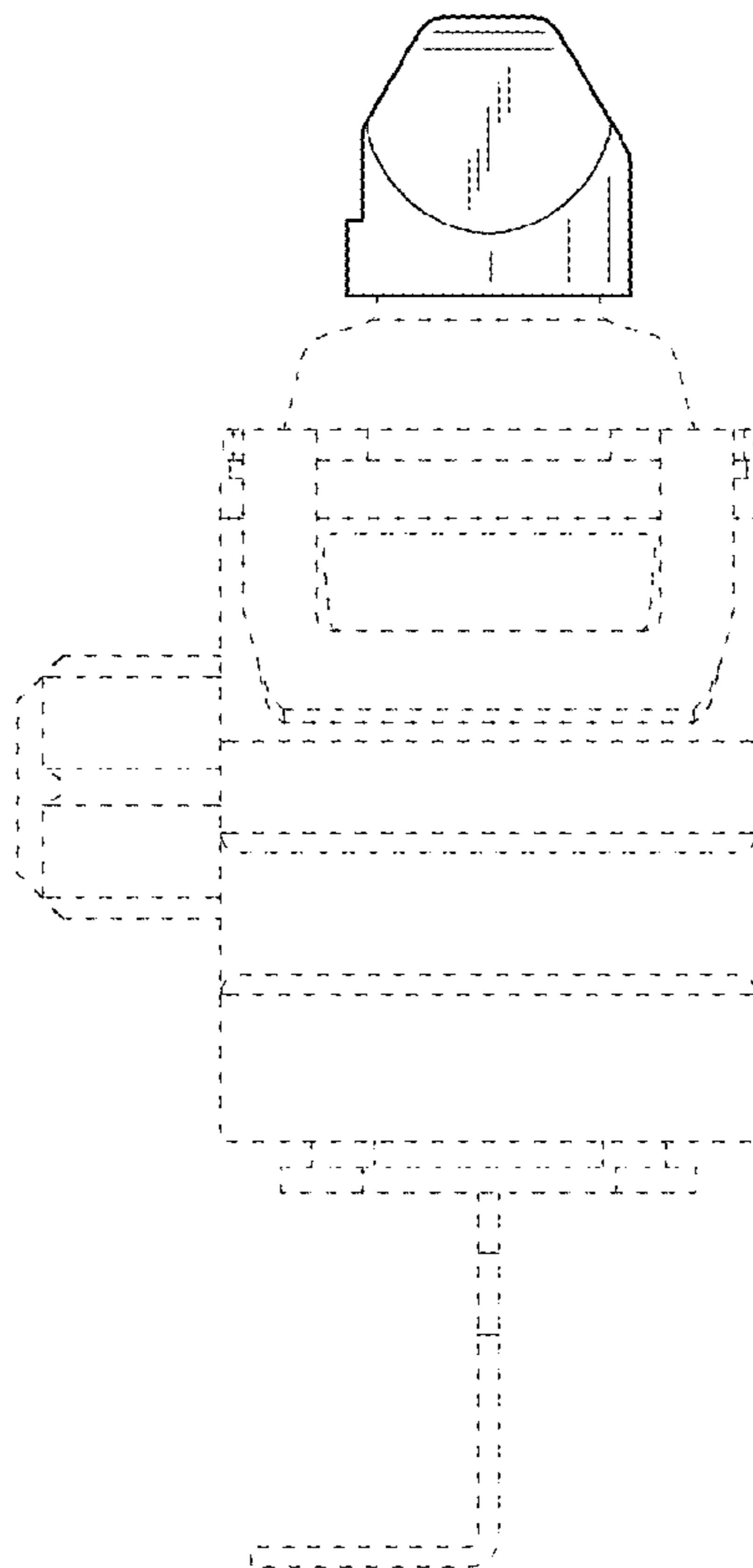


FIG. 7

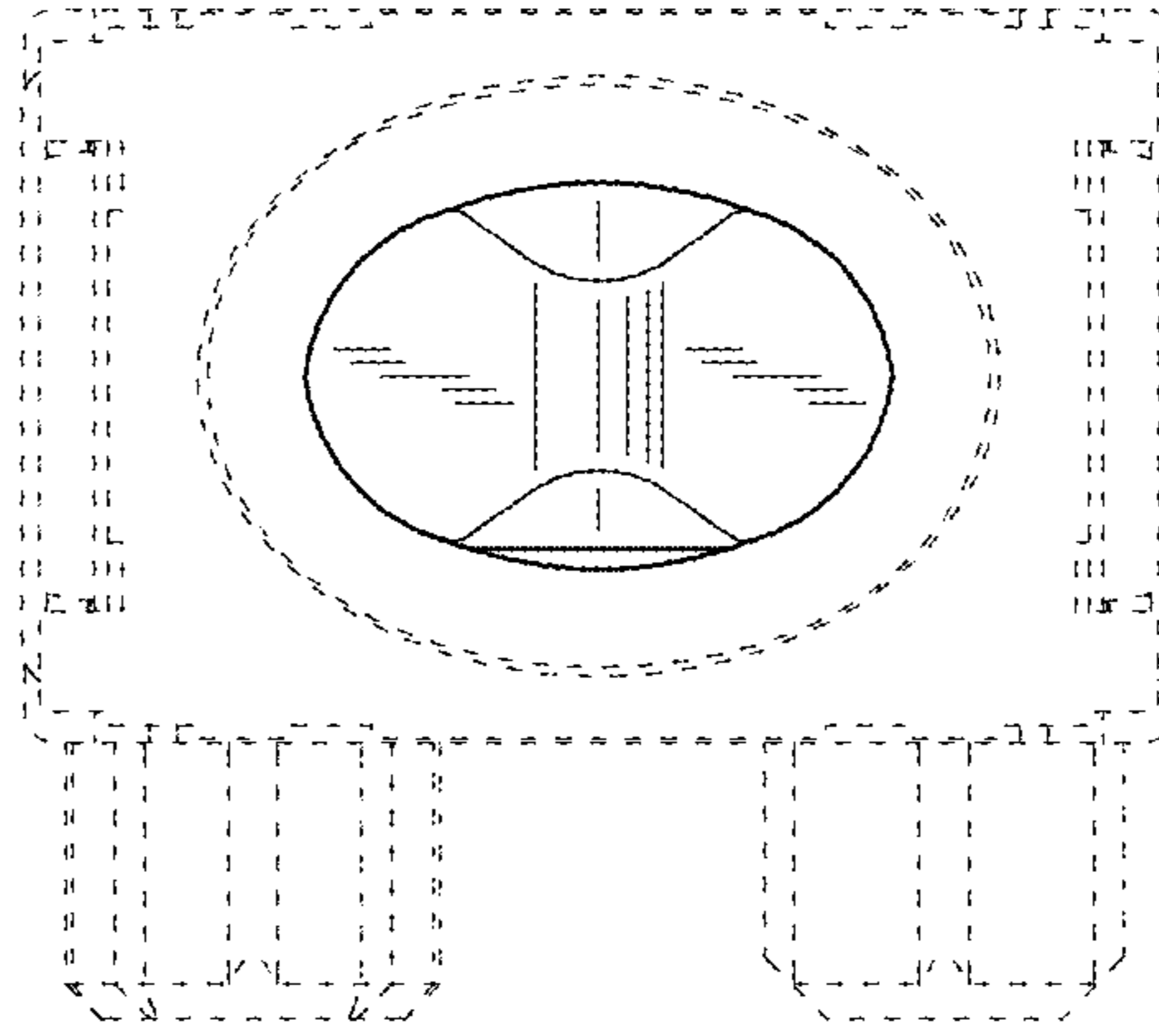


FIG. 8

