



US00D980170S

(12) **United States Design Patent**
Cha

(10) **Patent No.:** **US D980,170 S**
(45) **Date of Patent:** **** Mar. 7, 2023**

(54) **SECURITY BOX FOR STORING ELECTRIC WIRES PLUGS AND SOCKETS**

(71) Applicant: **Ju Kyung Cha**, Hwaseong-si (KR)

(72) Inventor: **Ju Kyung Cha**, Hwaseong-si (KR)

(**) Term: **15 Years**

(21) Appl. No.: **35/511,820**

(22) Filed: **Nov. 4, 2020**

(80) **Hague Agreement Data**

Int. Filing Date: **Nov. 4, 2020**

Int. Reg. No.: **DM/213564**

Int. Reg. Date: **Nov. 4, 2020**

Int. Reg. Pub. Date: **May 7, 2021**

(51) **LOC (14) Cl.** **09-06**

(52) **U.S. Cl.**
USPC **D13/155**
CPC **B65H 75/362 (2013.01)**

(58) **Field of Classification Search**
USPC D8/349, 353-358, 350; D13/103, 108,
D13/109, 110, 133, 137.1-137.13,
D13/138.1-138.2, 139.1-139.8, 146, 147,
D13/151, 152-156, 173, 177, 162, 158,
D13/184, 107, 122, 124; D14/432, 433,
D14/435.1
CPC .. B65H 75/362; B65H 2701/34; H01R 13/72;
H01R 25/006; H02G 11/02
See application file for complete search history.

(56) **References Cited**

U.S. PATENT DOCUMENTS

- 4,731,029 A * 3/1988 Lerner H01R 25/00
439/4
- 4,875,878 A * 10/1989 Meyer B65H 75/362
439/577
- 5,924,892 A * 7/1999 Ferracina H01R 13/72
439/535
- D466,433 S * 12/2002 Goto D11/87

- 7,097,047 B2 * 8/2006 Lee H05K 7/1491
361/825
- D560,609 S * 1/2008 Rosenthal D13/139.4
- D611,326 S * 3/2010 Alaniz D8/356
- 8,181,043 B1 * 5/2012 Reynolds H04L 12/12
361/679.01
- 8,607,993 B2 * 12/2013 Williams A47B 88/43
211/26
- D782,287 S * 3/2017 Chen D8/356
- D795,044 S * 8/2017 McNutt D8/356
- D803,667 S * 11/2017 Chen D8/356
- 9,815,663 B2 * 11/2017 Hussain B65H 75/362
- D826,874 S * 8/2018 Mench D13/184
- D826,875 S * 8/2018 Mench D13/184
- D850,386 S * 6/2019 Otzelberger D13/152
- D870,536 S * 12/2019 Wong D8/356
- D926,706 S * 8/2021 Gustaveson, II F16L 3/13
D13/155
- D939,510 S * 12/2021 Du D14/432
- D951,259 S * 5/2022 Du D14/444
- 2017/0133830 A1 * 5/2017 Ngo H02G 3/14

* cited by examiner

Primary Examiner — Richard E Chilcot

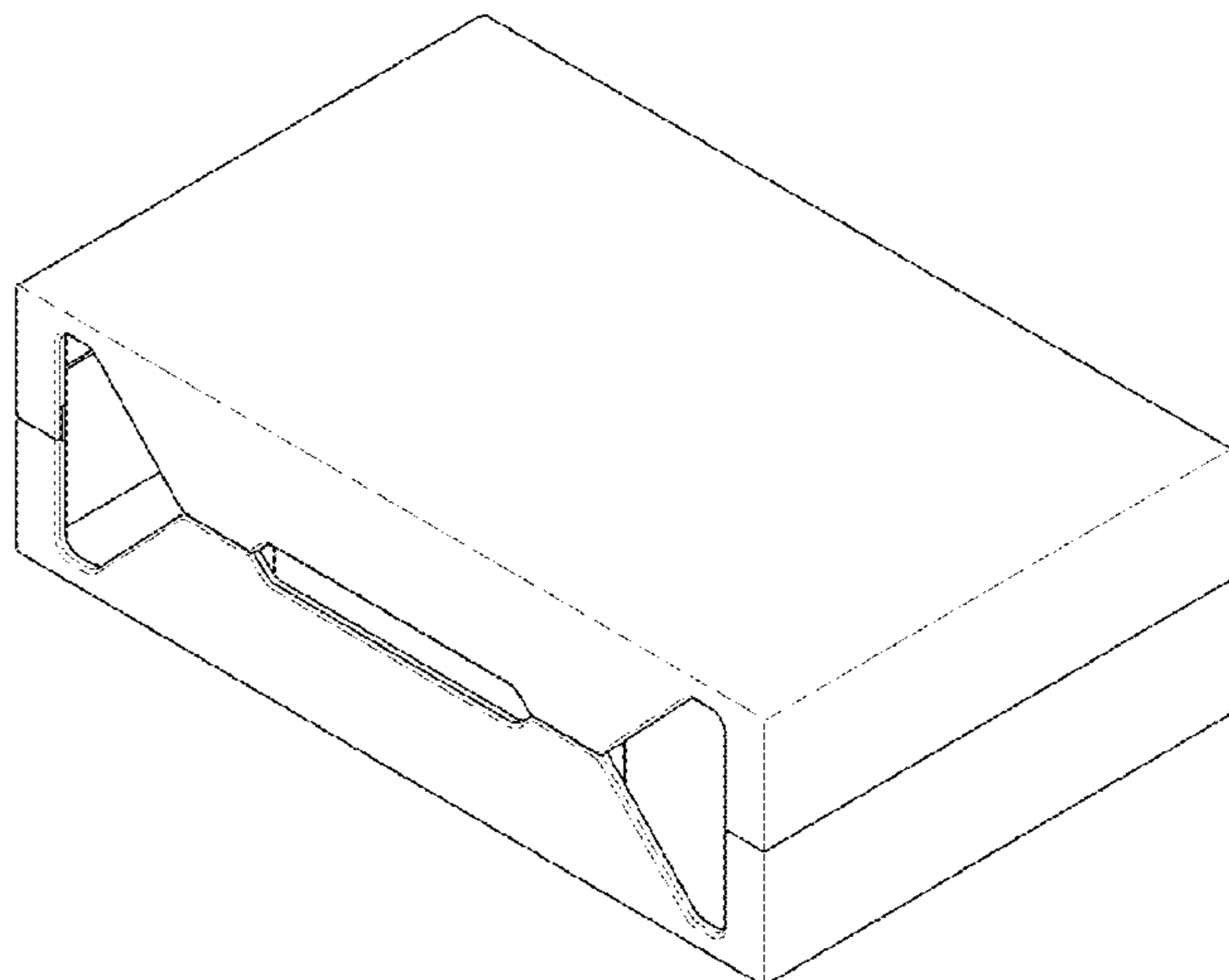
(57) **CLAIM**

The ornamental design for a security box for storing electric wires, plugs and sockets as shown and described.

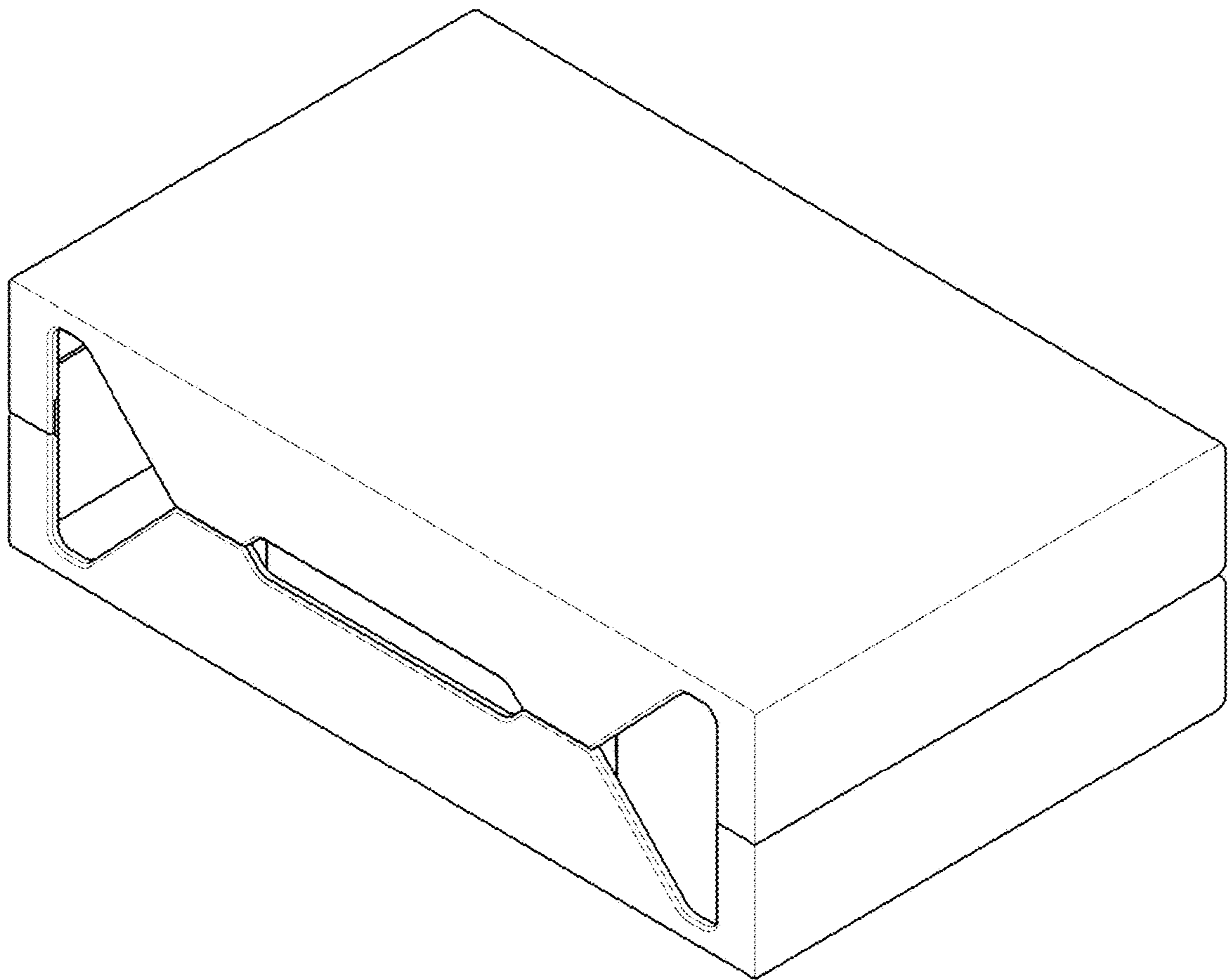
DESCRIPTION

- 1. Security box for storing electric wires, plugs and sockets
 - 1.1 : Perspective
 - 1.2 : Front
 - 1.3 : Black
 - 1.4 : Left
 - 1.5 : Right
 - 1.6 : Top
 - 1.7 : Bottom
- The present design is a security box that is used for storing and organizing sockets, plugs and electric wires inside it so that they are not exposed to the outside.

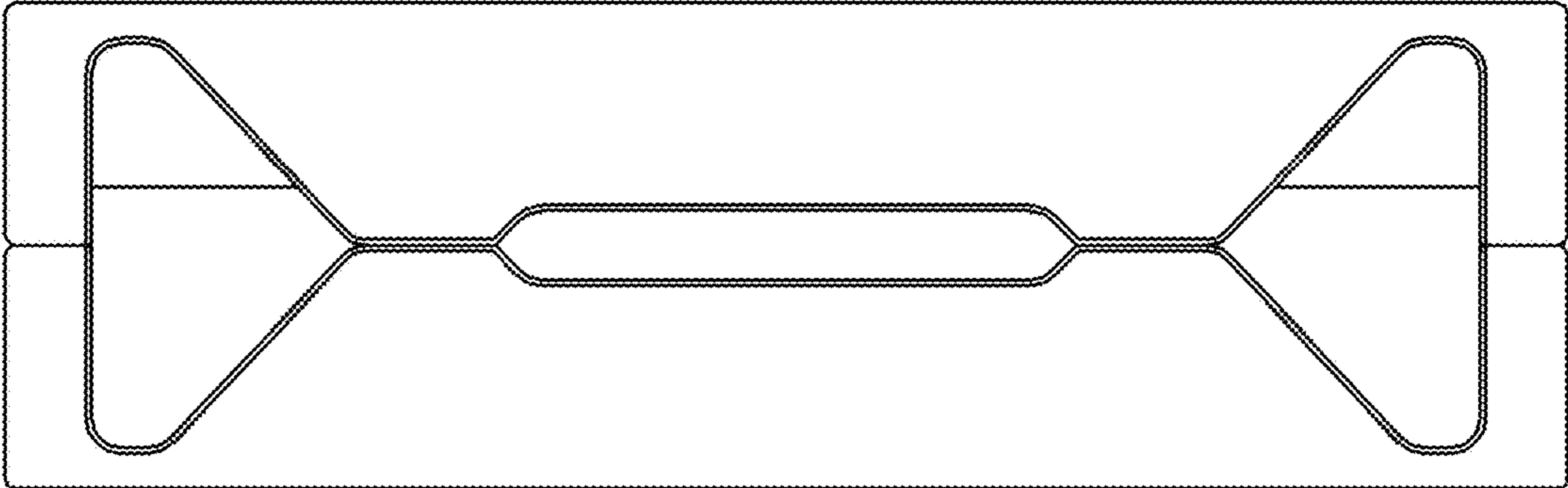
1 Claim, 7 Drawing Sheets



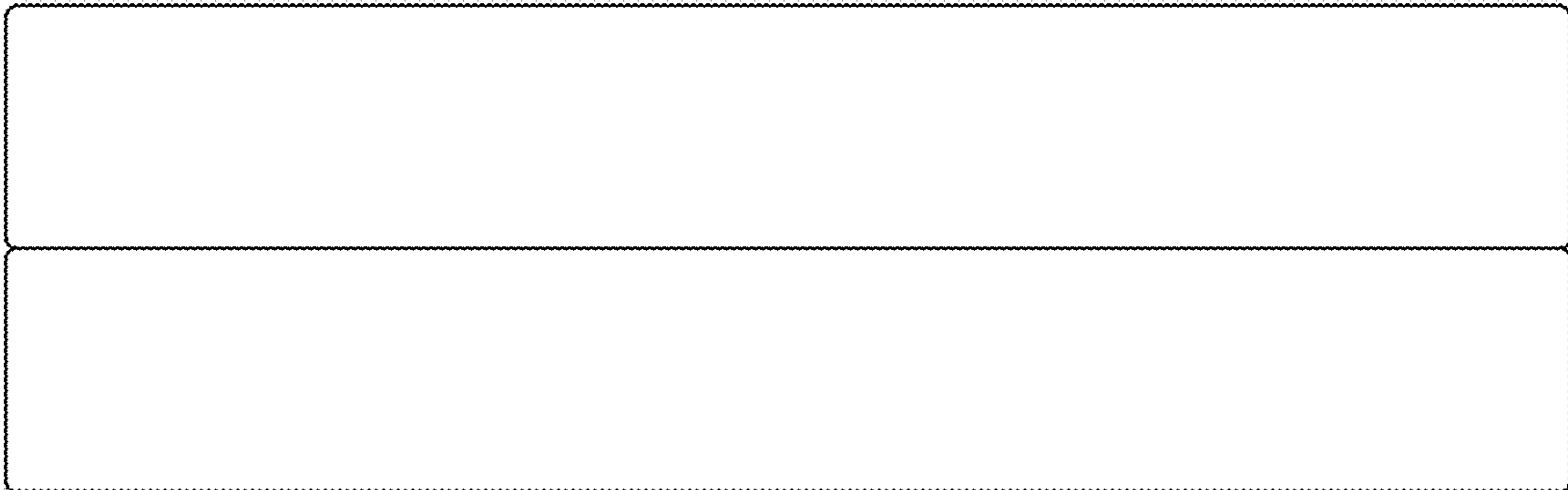
1.1



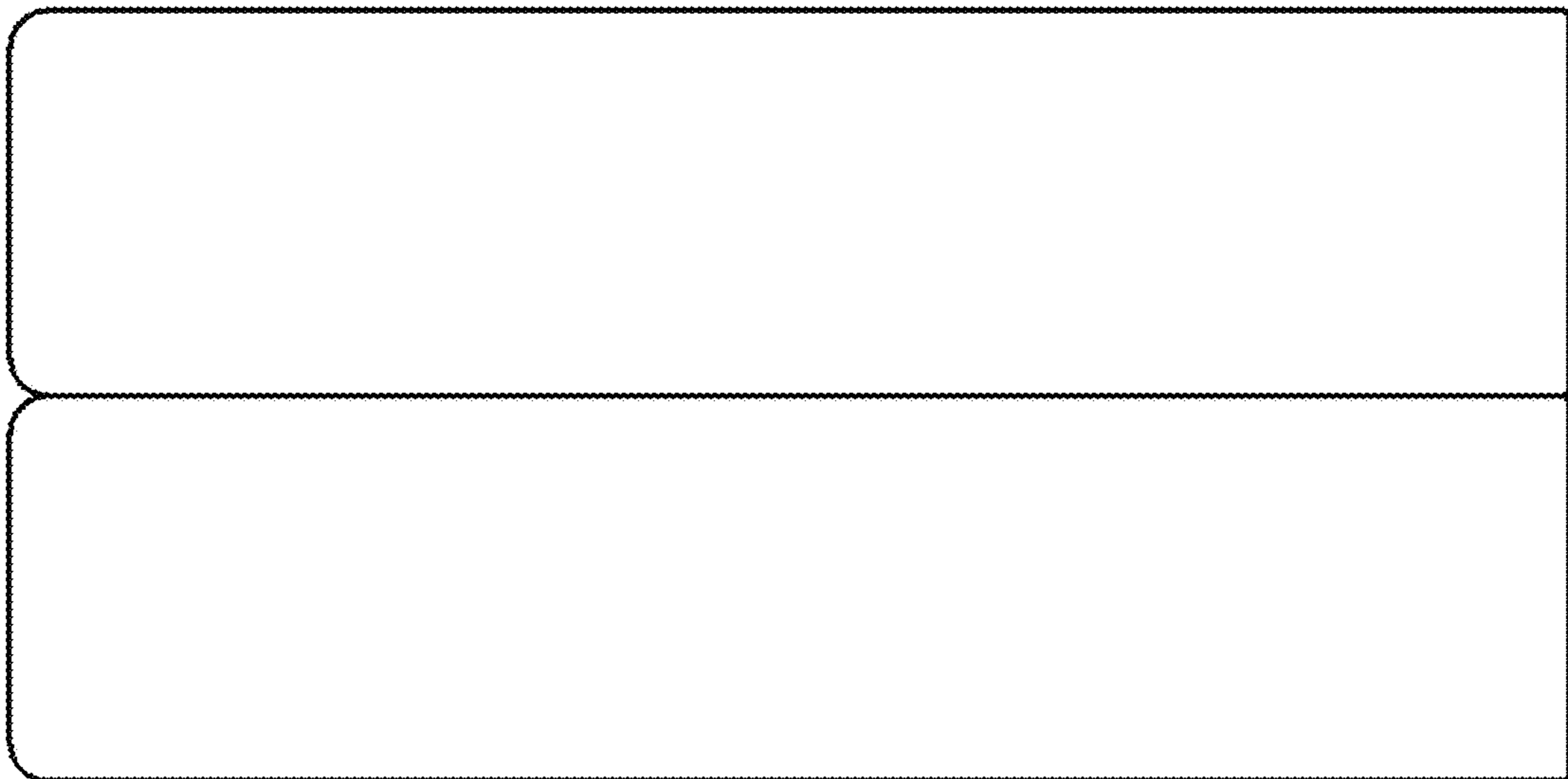
1.2



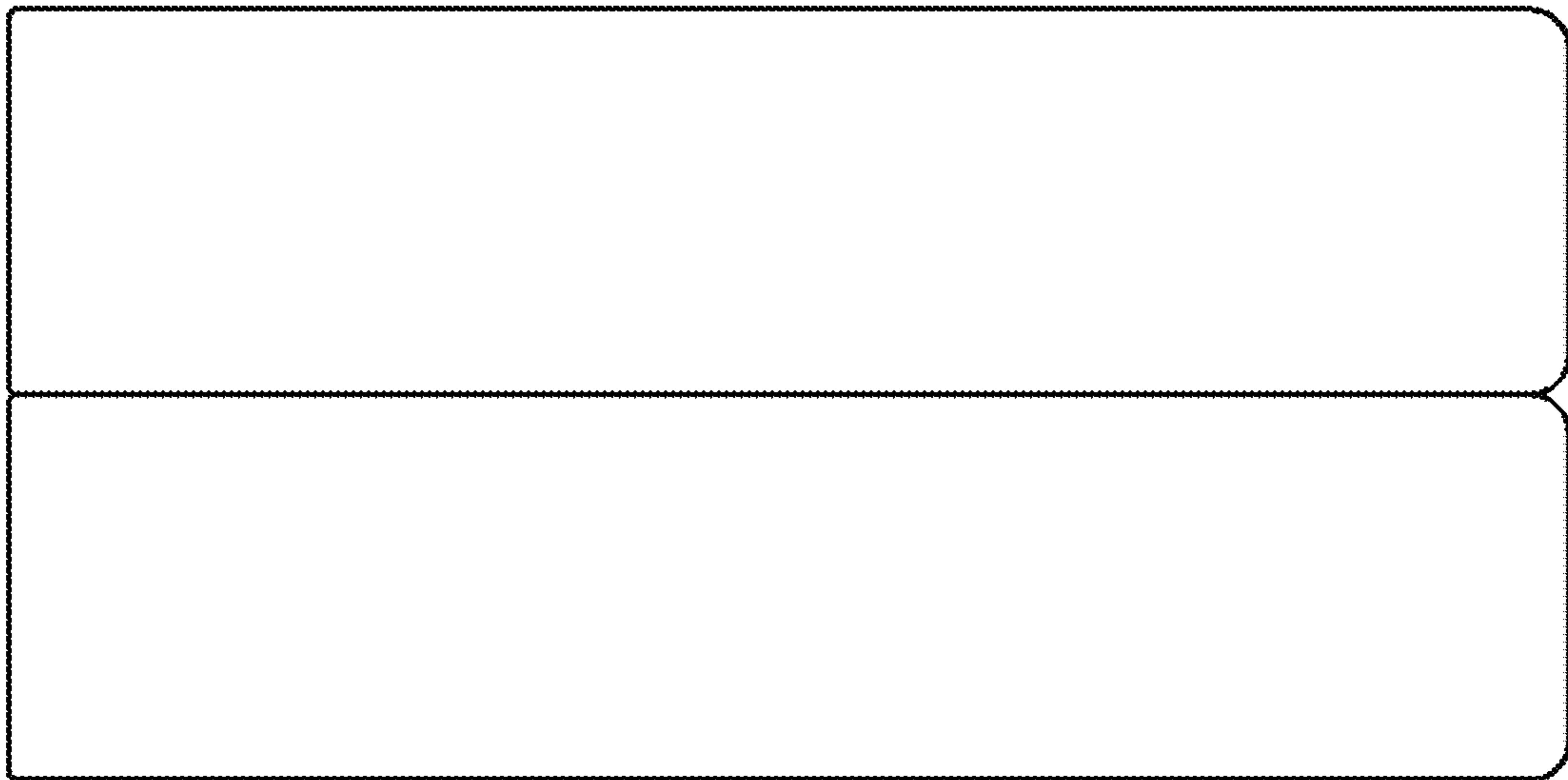
1.3



1.4



1.5



1.6



1.7

