



US00D980168S

(12) **United States Design Patent** (10) **Patent No.:** **US D980,168 S**
Chan et al. (45) **Date of Patent:** **** Mar. 7, 2023**

- (54) **PLUG**
- (71) Applicant: **Amphenol Corporation**, Wallingford, CT (US)
- (72) Inventors: **David Chan**, Xiamen (CN); **Wonder Wang**, Xiamen (CN); **Bob Tang**, Xiamen (CN); **Martin Li**, Xiamen (CN); **Smith Wu**, Xiamen (CN); **Jason Si**, Toronto (CA); **Sam Kocsis**, Nashua, NH (US); **Ba Pham**, Toronto (CA); **Brian Kirk**, Amherst, NH (US)
- (73) Assignee: **Amphenol Corporation**, Wallingford, CT (US)
- (**) Term: **15 Years**
- (21) Appl. No.: **29/753,723**
- (22) Filed: **Oct. 1, 2020**

Related U.S. Application Data

- (62) Division of application No. 29/665,308, filed on Oct. 2, 2018, now Pat. No. Des. 902,158, which is a division of application No. 29/575,639, filed on Aug. 26, 2016, now Pat. No. Des. 835,045.
- (51) **LOC (14) Cl.** **13-03**
- (52) **U.S. Cl.**
USPC **D13/147**
- (58) **Field of Classification Search**
USPC D13/103, 107, 110, 112, 118, 120, 121, D13/123, 133, 137.1, 145-147, 149-156, D13/158, 173, 177, 184, 199, 242; D14/240, 242, 432-435, 435.1, 436-438
CPC H01R 13/6585; H01R 13/6473; H01R 13/6593; H01R 13/6594; H01R 13/6599; H01R 12/721

See application file for complete search history.

(56) **References Cited**
U.S. PATENT DOCUMENTS

D322,604 S	12/1991	Komatsu
D580,359 S	11/2008	Su et al.
D583,766 S	12/2008	Chiang
D598,862 S	8/2009	Chen

(Continued)

FOREIGN PATENT DOCUMENTS

CN	203574938 U	4/2014
JP	D1495825 S	4/2014

(Continued)

OTHER PUBLICATIONS

Amphenol. A Series Family. No date specified. <https://www.amphenol-sine.com/a-series-connectors> (Year: 0).*

(Continued)

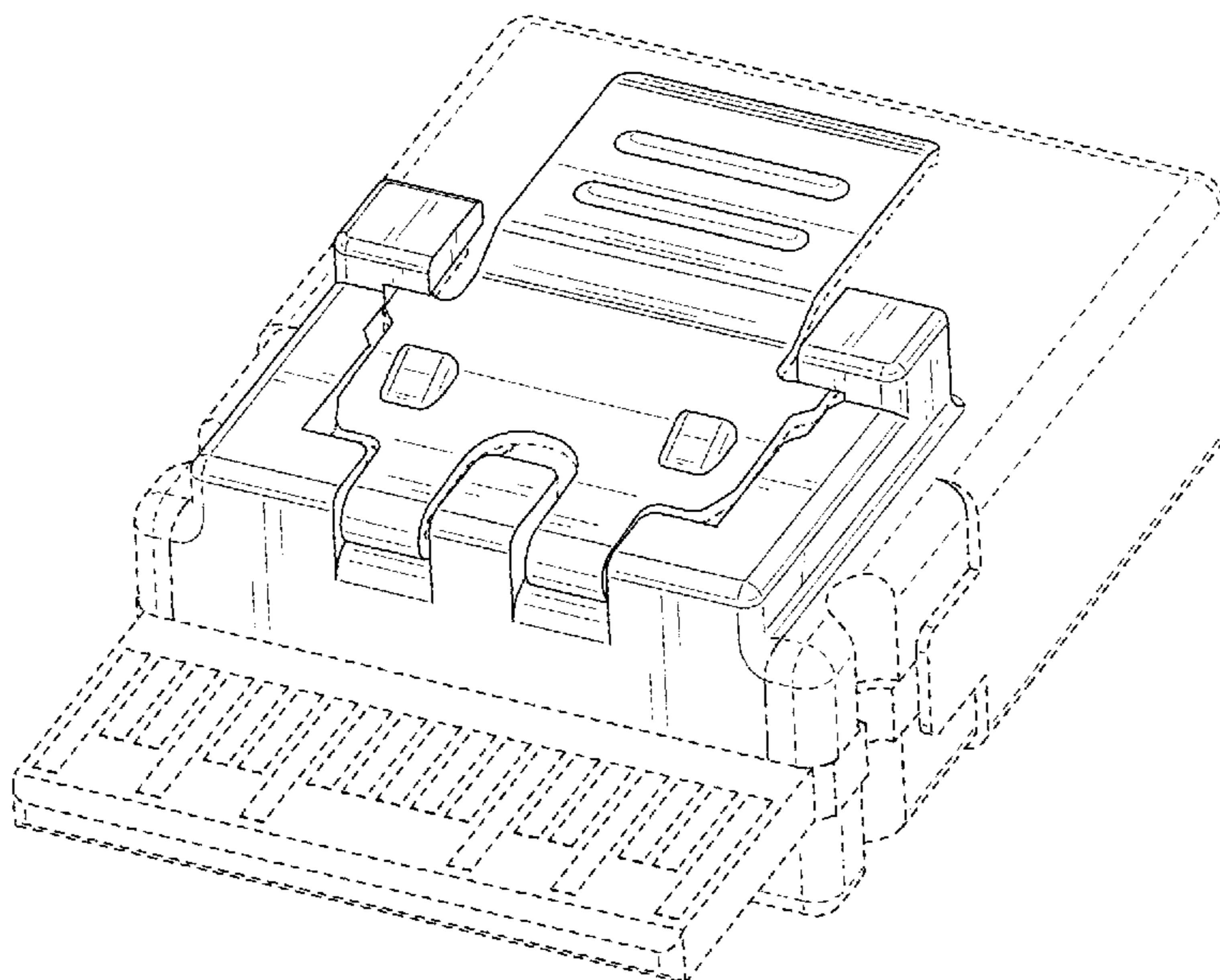
Primary Examiner — Darcey E Gottschalk
(74) *Attorney, Agent, or Firm* — Wolf, Greenfield & Sacks, P.C.

(57) **CLAIM**
The ornamental design for a plug, as shown and described.

DESCRIPTION

FIG. 1 is a top, front, right side perspective view of a plug showing our new design; FIG. 2 is a front elevation view thereof; FIG. 3 is a rear elevation view thereof; FIG. 4 is a left side elevation view thereof; FIG. 5 is a right side elevation view thereof; FIG. 6 is a top plan view thereof; and, FIG. 7 is a bottom plan view thereof. The dashed broken lines of the figures represent portions of the plug that form no part of the claimed design. The dash-dot broken lines define boundaries of the claimed design, and form no part of the claimed design.

1 Claim, 7 Drawing Sheets



(56)

References Cited

U.S. PATENT DOCUMENTS

D601,505 S 10/2009 Fukazawa et al.
 D626,077 S 10/2010 Huang
 D627,738 S 11/2010 Luo
 D671,896 S 12/2012 Wang et al.
 D680,497 S 4/2013 Lan et al.
 D698,733 S 2/2014 Yokoyama
 D698,734 S 2/2014 Yokoyama
 D699,192 S 2/2014 Takenaga et al.
 D703,615 S 4/2014 Takenaga et al.
 D706,221 S 6/2014 Grant et al.
 D719,922 S 12/2014 Yokoyama
 D721,657 S 1/2015 Yamaguchi
 D722,026 S 2/2015 Yokoyama
 D726,657 S 4/2015 Takenaga et al.
 D729,173 S 5/2015 Fukumoto
 9,450,344 B2 9/2016 Cartier, Jr. et al.
 D812,013 S 3/2018 Kirk et al.
 D812,568 S 3/2018 Kirk et al.
 D812,569 S 3/2018 Kirk et al.
 D813,170 S 3/2018 Chan et al.
 D818,965 S 5/2018 Chan et al.
 D835,045 S 12/2018 Chan et al.
 D841,587 S * 2/2019 Terajima D13/133
 D841,594 S 2/2019 Chan et al.
 D842,814 S * 3/2019 Tsai D13/147
 D850,384 S 6/2019 Kirk et al.
 D867,301 S * 11/2019 Saitou D13/147
 D870,669 S 12/2019 Katagiyama et al.
 D873,219 S 1/2020 Sasaki
 D873,773 S 1/2020 Cao
 D877,703 S * 3/2020 Holub D13/147
 D899,376 S 10/2020 Chan et al.
 D902,158 S * 11/2020 Chan D13/147
 D909,977 S * 2/2021 Nakamura D13/154
 D915,285 S * 4/2021 Oosaka D13/133
 D924,139 S * 7/2021 Jayme D13/133
 D924,160 S * 7/2021 Oosaka D13/147
 D924,161 S * 7/2021 Sato D13/147
 D924,162 S * 7/2021 Yokoyama D13/147
 D924,163 S * 7/2021 Yokoyama D13/147
 D924,164 S * 7/2021 Shimomaki D13/147
 D937,778 S * 12/2021 Tada D13/133

D941,249 S * 1/2022 Obata D13/147
 D959,381 S * 8/2022 Yamamoto D13/133
 D960,099 S * 8/2022 Yanase D13/133
 D960,105 S * 8/2022 Imamura D13/133
 D960,841 S * 8/2022 Kan D13/147
 D961,523 S * 8/2022 Gonzalez D13/147
 D964,291 S * 9/2022 Faith D13/147
 2009/0137157 A1 5/2009 Swanger et al.
 2014/0364006 A1* 12/2014 Lo H01R 13/6461
 439/607.01
 2016/0134040 A1* 5/2016 Phillips H01R 12/721
 439/374
 2016/0226166 A1* 8/2016 Beaman H01R 12/721
 2017/0054246 A1* 2/2017 Yao H01R 13/502
 2017/0207570 A1* 7/2017 Guo H01R 13/5216
 2017/0365950 A1 12/2017 Matsuura et al.
 2018/0034201 A1 2/2018 Sekino et al.
 2018/0034203 A1 2/2018 Sekino et al.
 2018/0145449 A1* 5/2018 Wei H01R 24/60
 2018/0212364 A1* 7/2018 Huang H01R 13/64
 2019/0123490 A1* 4/2019 Zhao H01R 13/6585
 2020/0194932 A1* 6/2020 Henry H01R 13/6275
 2020/0235535 A1* 7/2020 Tsai H01R 13/42
 2021/0083434 A1* 3/2021 Gailus H01R 13/6474
 2021/0175651 A1* 6/2021 Nagae H01R 13/639

FOREIGN PATENT DOCUMENTS

TW D152287 S1 4/2012
 TW D148301 S1 7/2012
 TW D151643 S 2/2013
 TW D151644 S 2/2013
 TW D154040 S1 6/2013
 TW D172199 S1 6/2014
 TW D161661 S 7/2014

OTHER PUBLICATIONS

U.S. Appl. No. 29/665,308, filed Oct. 2, 2018, Chan et al.
 [No Author Listed] A Series Family. Amphenol. <https://www.amphenol-sine.com/a-series-connectors>. Dated 2018; last accessed Feb. 13, 2020, 7 pages.

* cited by examiner

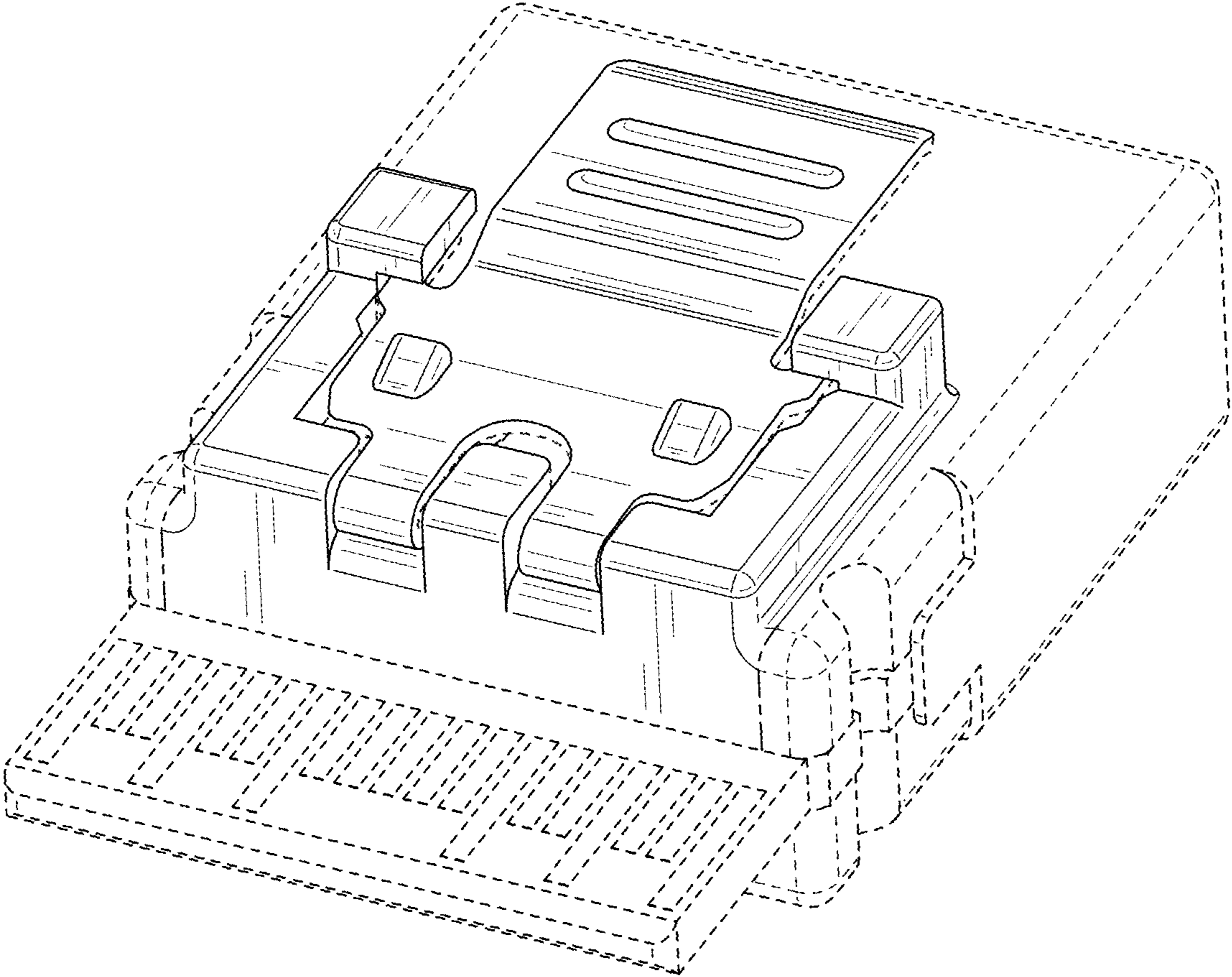


FIG. 1

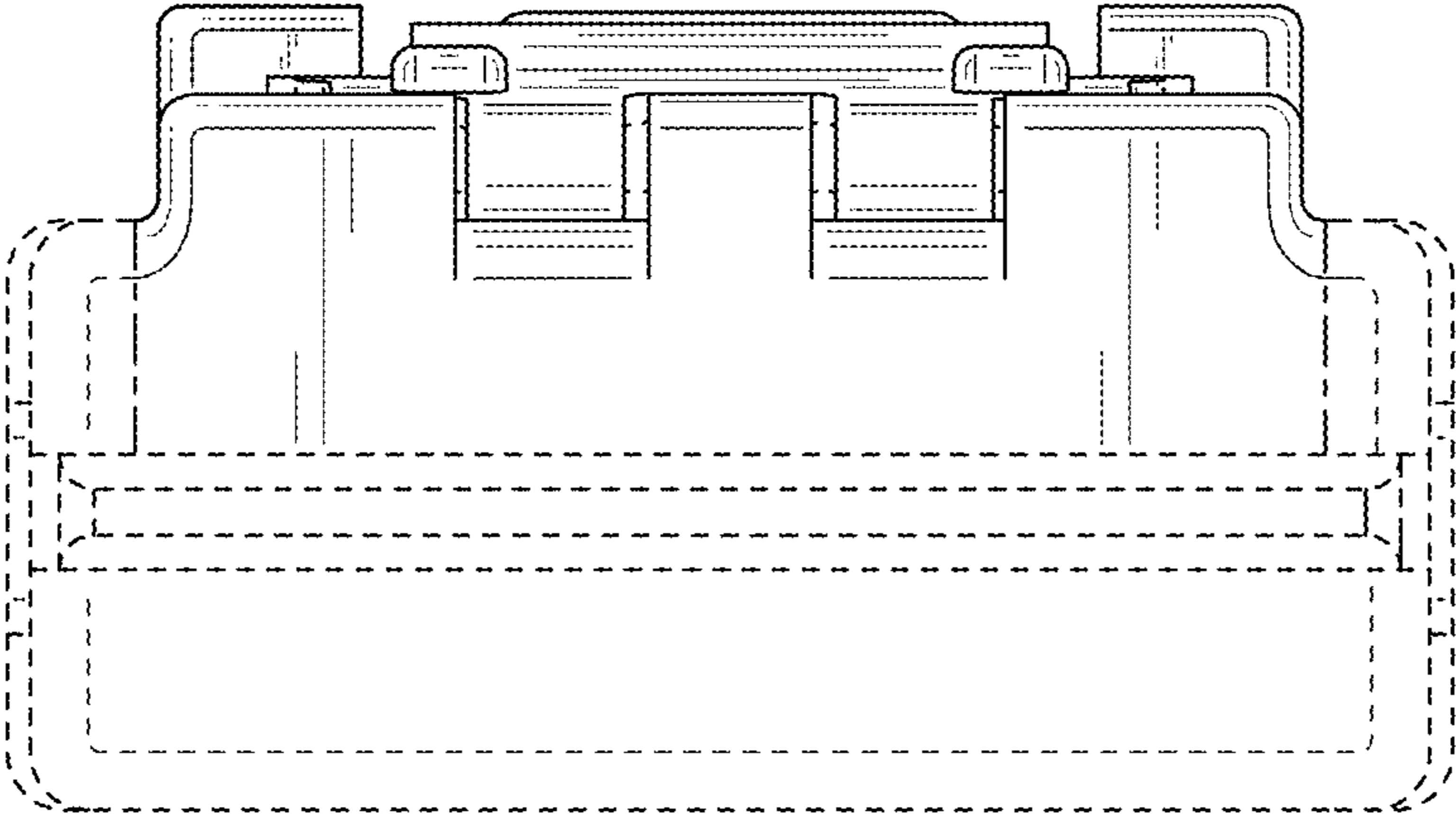


FIG. 2

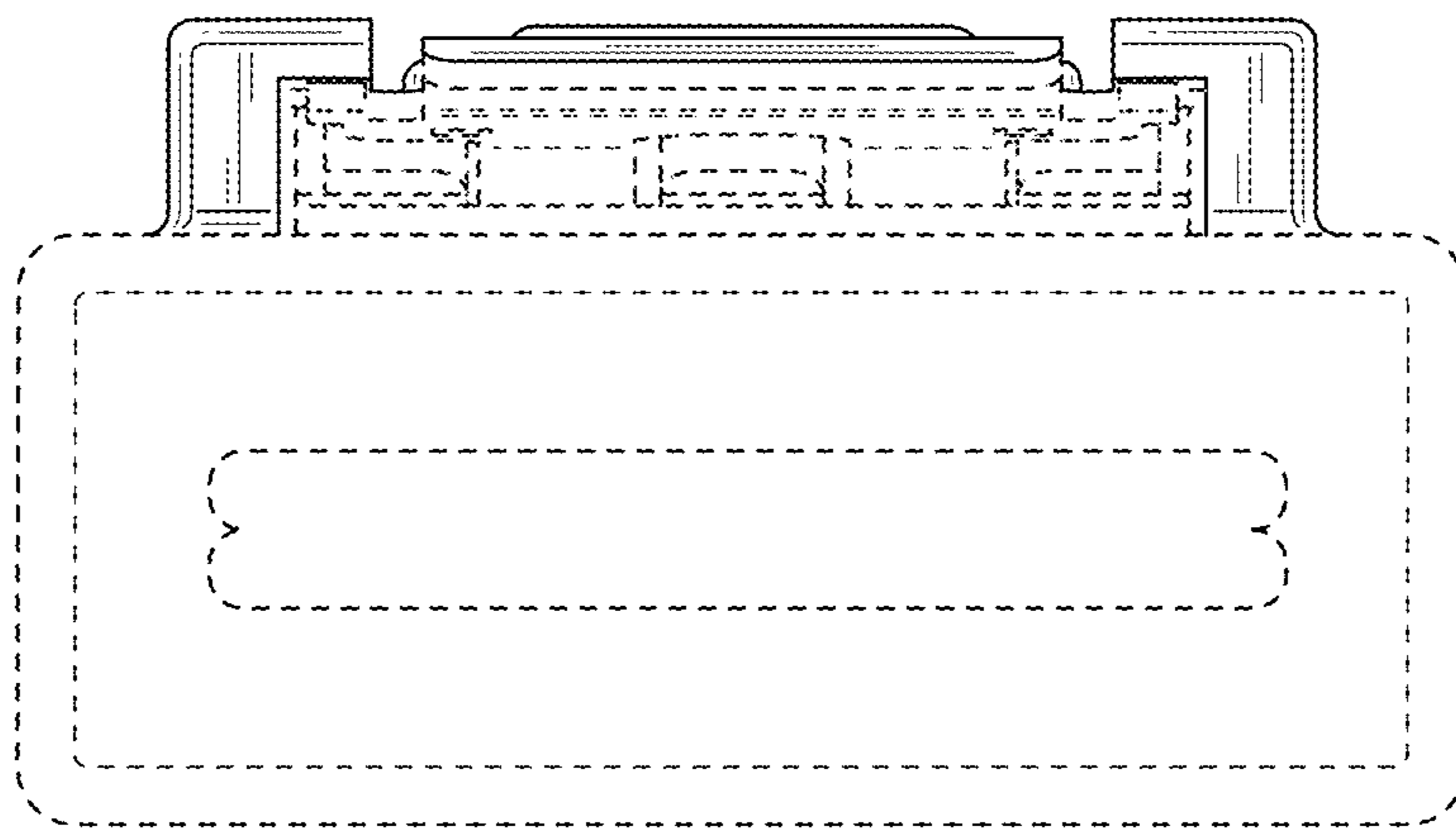


FIG. 3

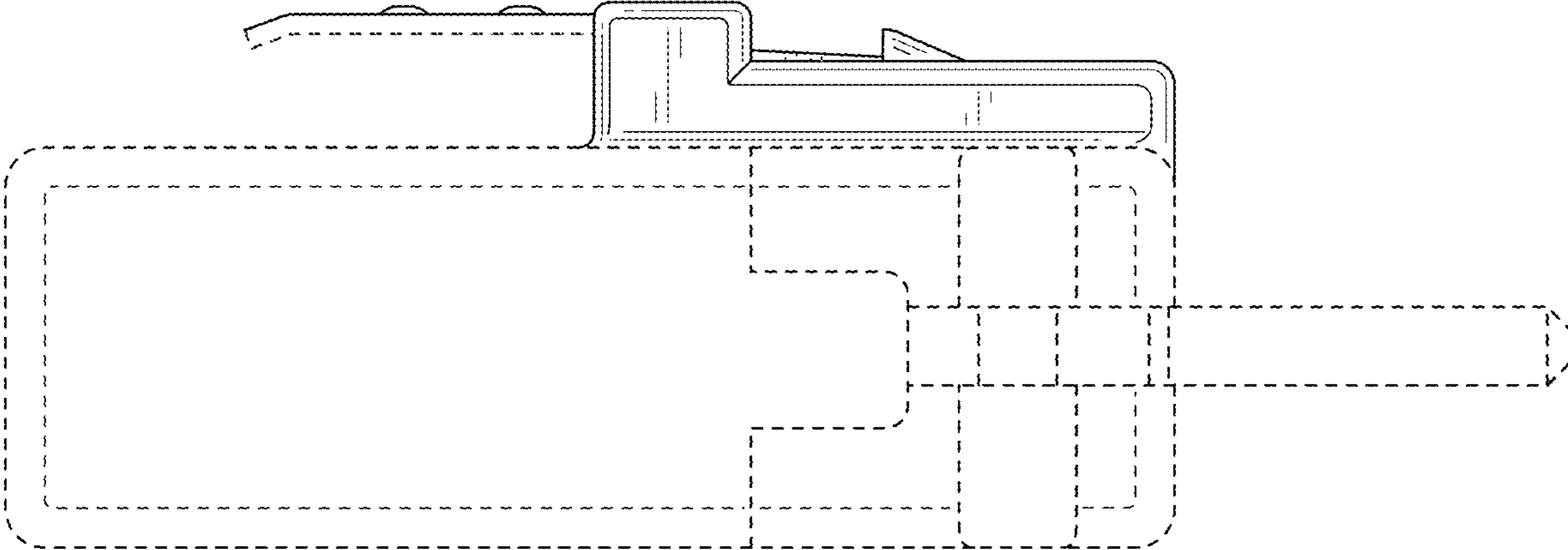


FIG. 4

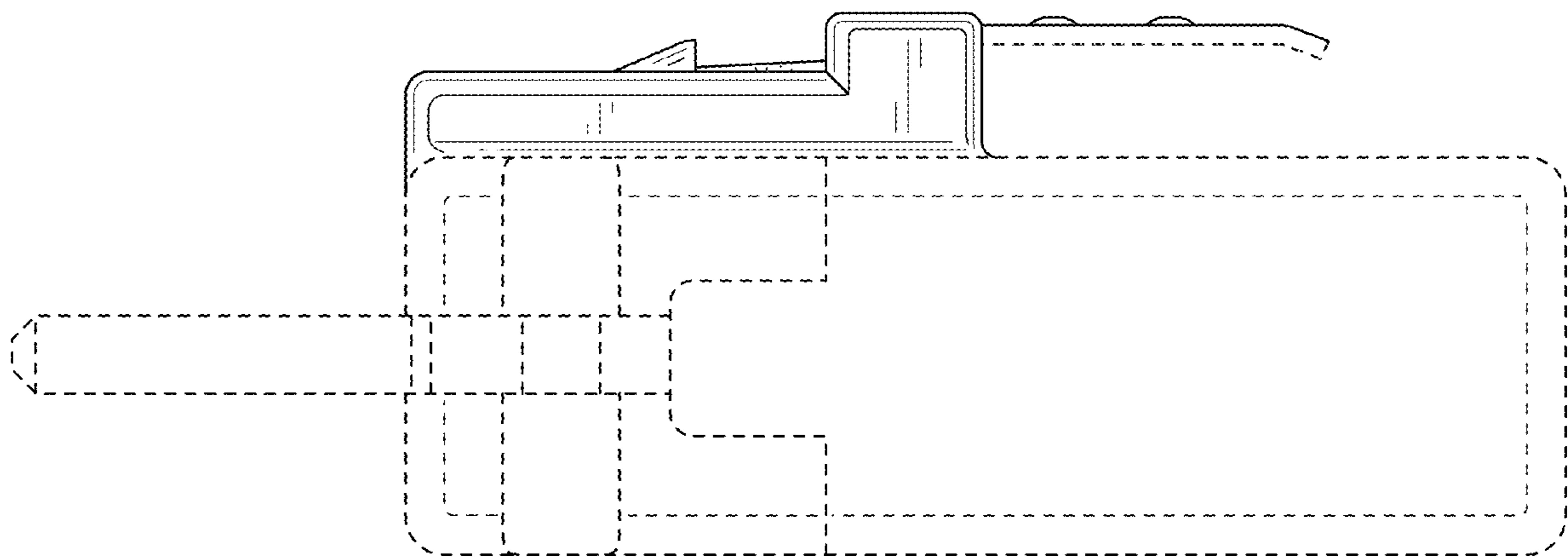


FIG. 5

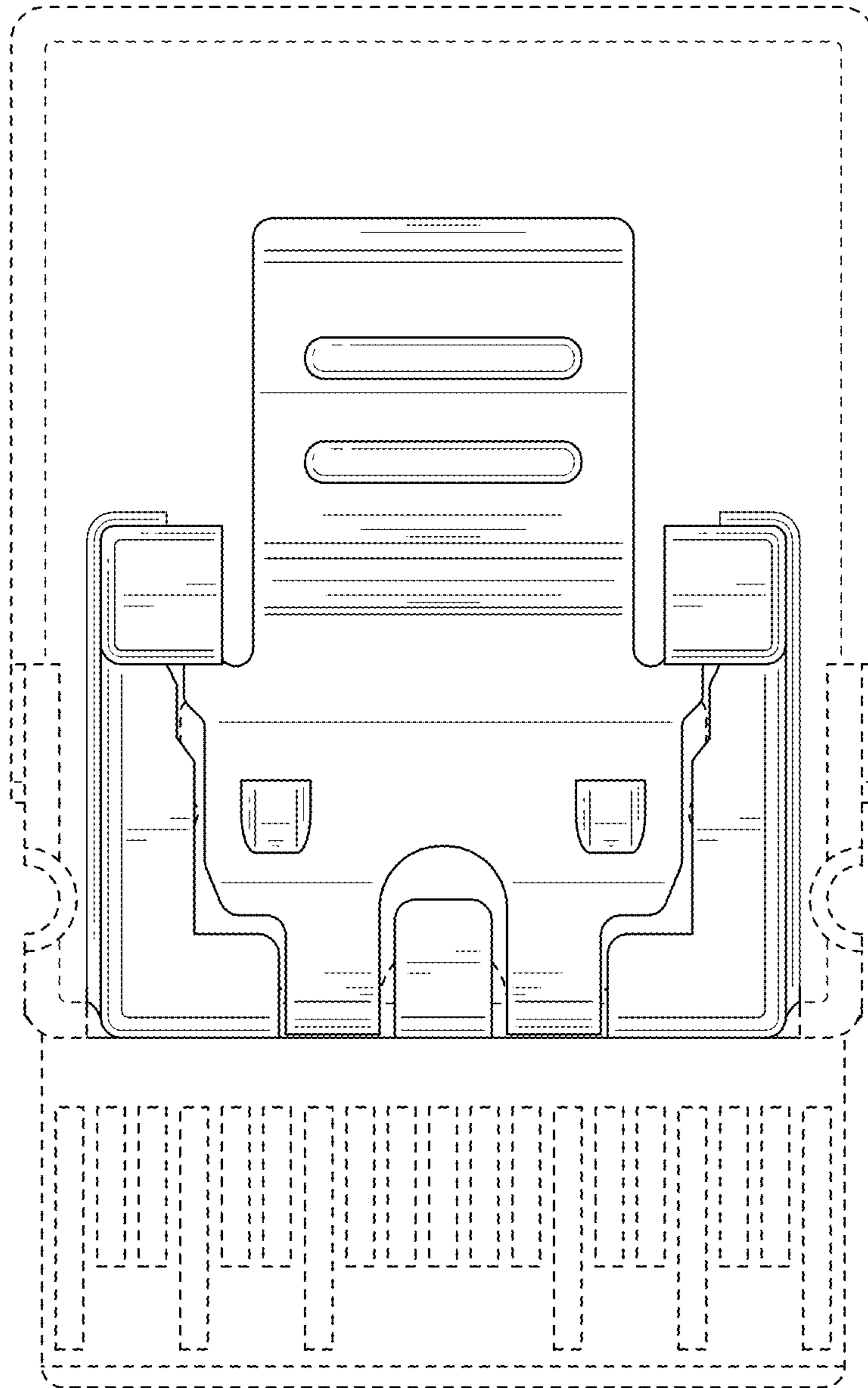


FIG. 6

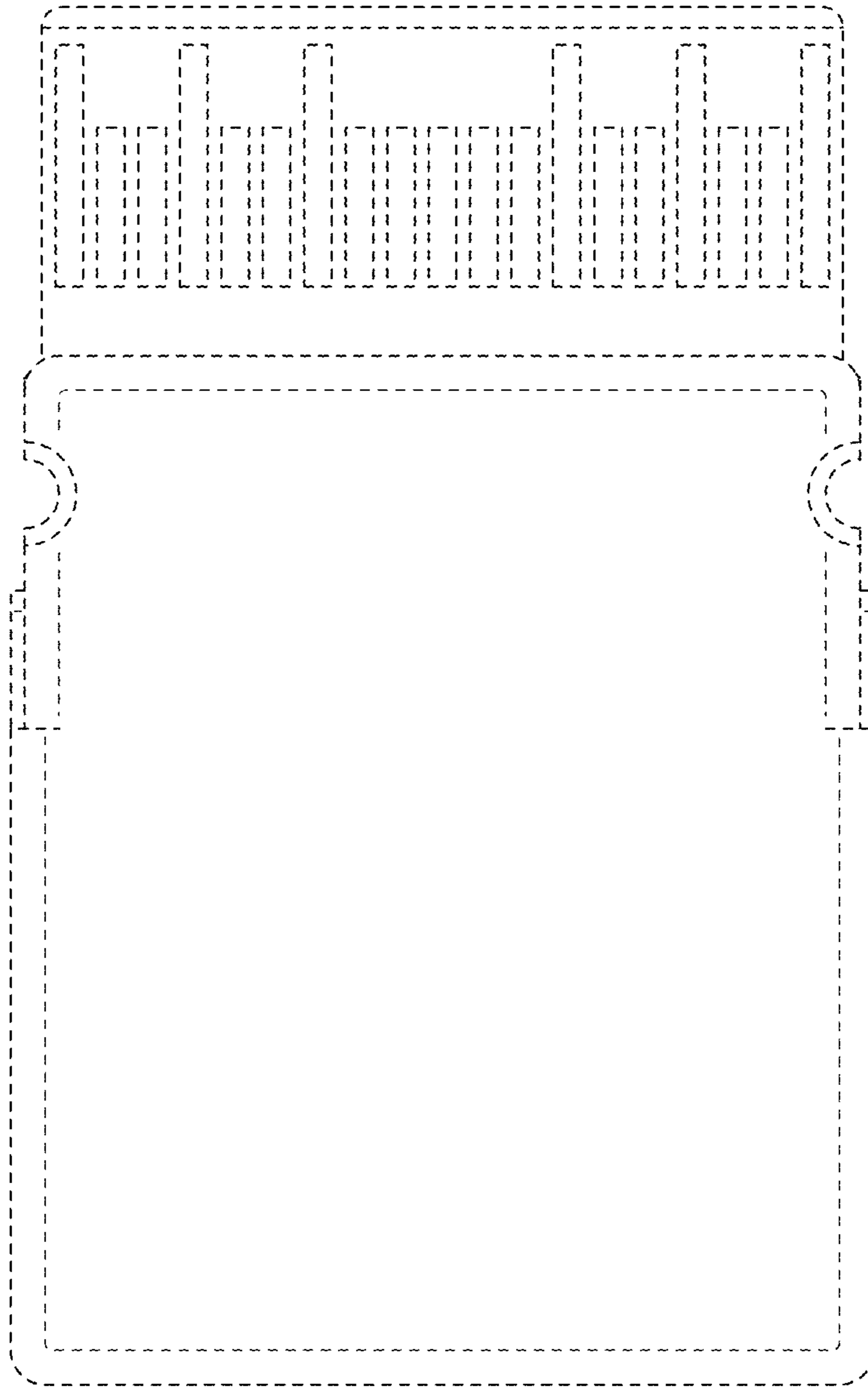


FIG. 7