



US00D980167S

(12) **United States Design Patent**  
**Taira**

(10) **Patent No.:** **US D980,167 S**

(45) **Date of Patent:** **\*\* Mar. 7, 2023**

(54) **OPTICAL FIBER CONNECTOR**  
(71) Applicant: **SEIKOH GIKEN CO., LTD.**, Chiba (JP)  
(72) Inventor: **Junji Taira**, Matsudo (JP)  
(73) Assignee: **SEIKOH GIKEN CO., LTD.**, Chiba (JP)

(\*\*) Term: **15 Years**

(21) Appl. No.: **35/511,603**

(22) Filed: **Mar. 8, 2021**

(80) **Hague Agreement Data**

Int. Filing Date: **Mar. 8, 2021**  
Int. Reg. No.: **DM/213242**  
Int. Reg. Date: **Mar. 8, 2021**  
Int. Reg. Pub. Date: **Mar. 26, 2021**

(51) **LOC (14) Cl.** ..... **13-03**

(52) **U.S. Cl.**  
USPC ..... **D13/133**

(58) **Field of Classification Search**  
USPC ..... D13/133, 147, 154; D12/400  
CPC .. G02B 6/4202; G02B 6/3879; G02B 6/3831;  
G02B 6/3807; G02B 6/4292; G02B  
6/3827; G02B 6/3825; G02B 6/3849;  
G02B 6/3888; H01R 13/506; H01R  
16/627

See application file for complete search history.

(56) **References Cited**

**U.S. PATENT DOCUMENTS**

4,952,798 A \* 8/1990 Graham ..... G02B 6/3827  
356/73.1  
5,104,243 A \* 4/1992 Harding ..... G02B 6/4292  
D13/133  
5,157,749 A \* 10/1992 Briggs ..... G02B 6/3807  
D13/133

5,167,542 A \* 12/1992 Haitmanek ..... G02B 6/3831  
D13/133  
5,268,982 A \* 12/1993 Schaffer ..... G02B 6/3879  
D13/133  
5,361,317 A \* 11/1994 Hartman ..... G02B 6/4202  
D13/133  
D413,302 S \* 8/1999 Sekiguchi ..... D13/133  
D573,949 S \* 7/2008 Taira ..... D13/133  
D619,100 S \* 7/2010 Larson ..... D13/154  
D670,652 S \* 11/2012 Chen ..... D13/133  
D673,502 S \* 1/2013 Zhong ..... D13/133  
D676,384 S \* 2/2013 Yang ..... D13/133  
D680,075 S \* 4/2013 Yang ..... D13/133  
D705,731 S \* 5/2014 Zhong ..... D13/133  
D711,320 S \* 8/2014 Yang ..... D13/133  
D783,618 S \* 4/2017 Wu ..... D13/133  
D800,660 S \* 10/2017 De Jong ..... D13/133  
D815,043 S \* 4/2018 Wu ..... D13/133  
D823,255 S \* 7/2018 De Jong ..... D13/133  
D830,304 S \* 10/2018 Choi ..... D13/133

(Continued)

*Primary Examiner* — Rhea Shields

(74) *Attorney, Agent, or Firm* — Greenblum & Bernstein,  
P.L.C.

(57) **CLAIM**

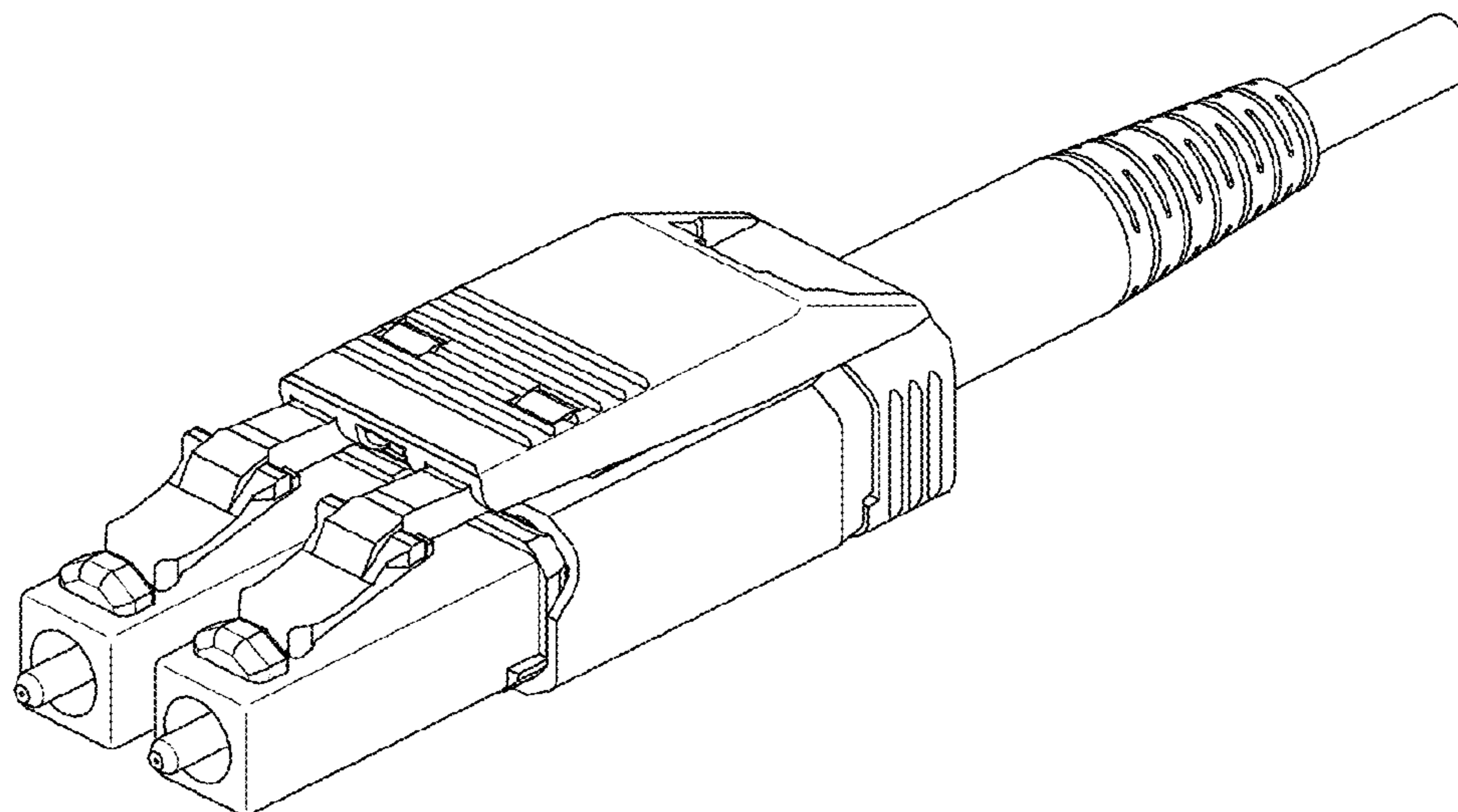
The ornamental design for an optical fiber connector, as shown and described.

**DESCRIPTION**

- 1. Optical fiber connector
- 1.1 : Perspective
- 1.2 : Perspective
- 1.3 : Perspective
- 1.4 : Front
- 1.5 : Top
- 1.6 : Bottom
- 1.7 : Right

The design relates to an optical fiber connector; the left side view is omitted because it is a mirror image of the right side view and shown in a perspective view; and the rear view is omitted because it is shown in perspective views.

**1 Claim, 7 Drawing Sheets**



(56)

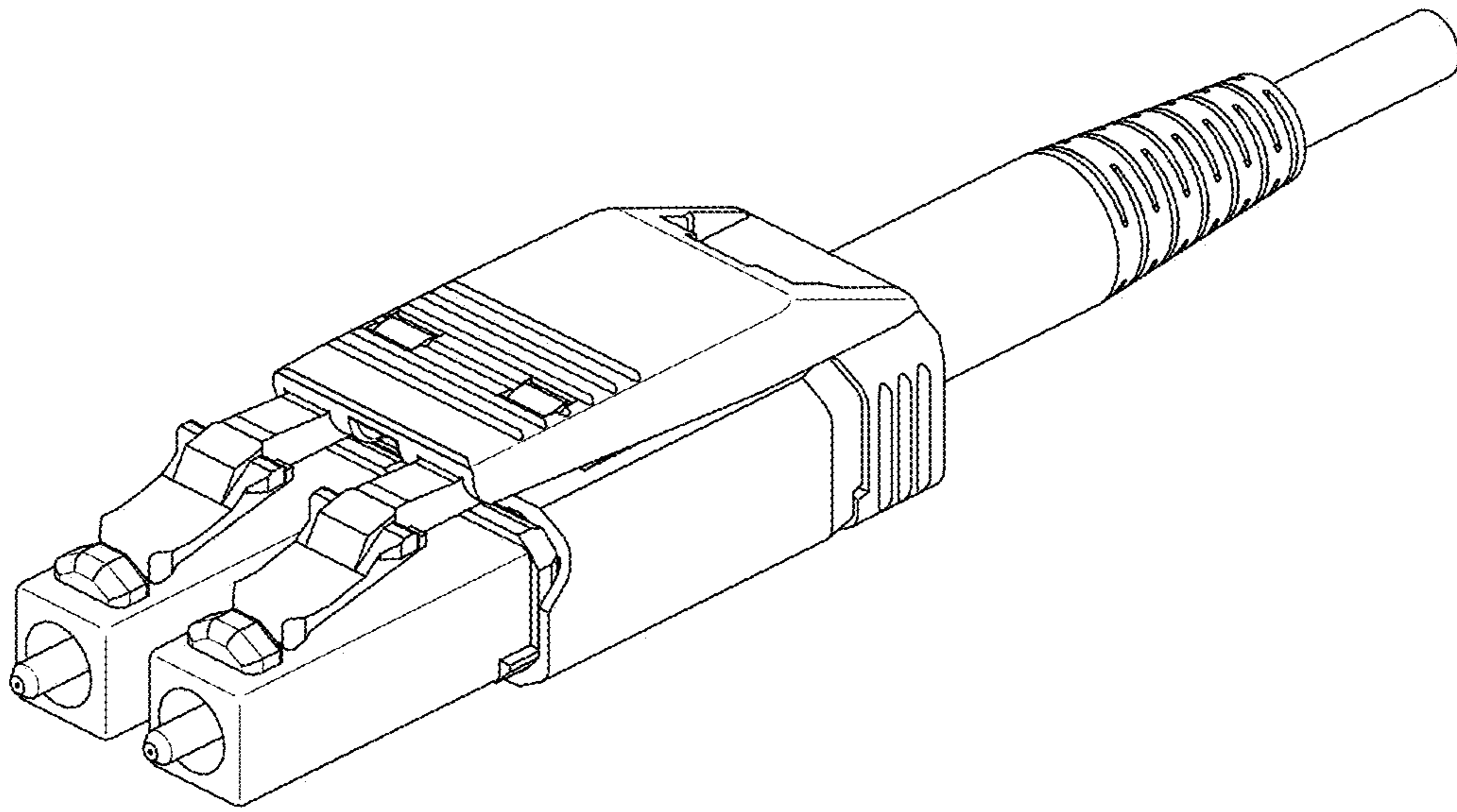
**References Cited**

U.S. PATENT DOCUMENTS

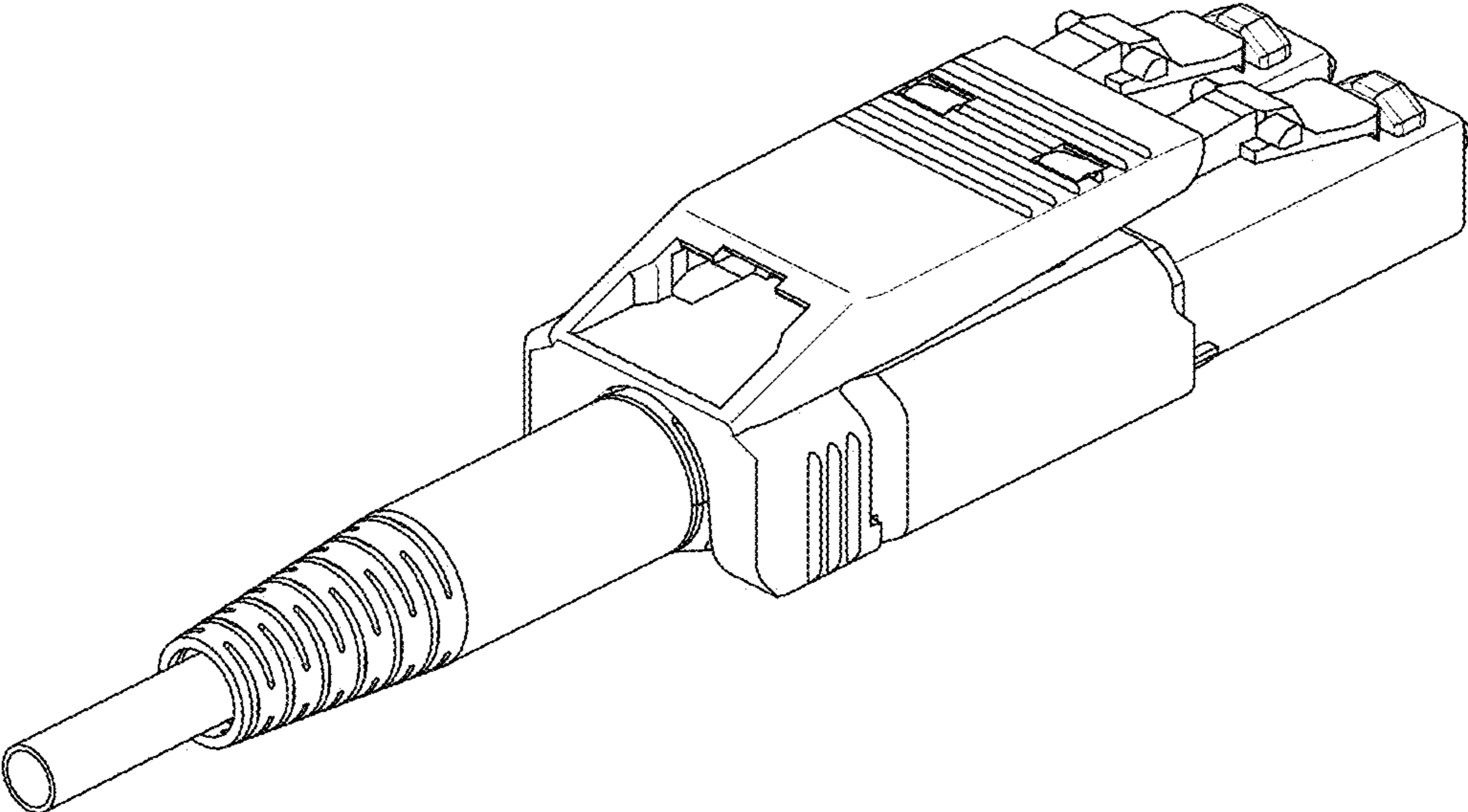
10,386,583	B2 *	8/2019	Jibiki .....	G02B 6/3888
D879,039	S *	3/2020	Wu .....	D13/133
D892,742	S *	8/2020	Hsu .....	D13/133
D941,251	S *	1/2022	Wu .....	D13/147
D944,209	S *	2/2022	Herron .....	D12/400
D945,373	S *	3/2022	Wang .....	D13/147
D945,376	S *	3/2022	Yamaji .....	D13/147
2005/0201690	A1 *	9/2005	Taira .....	G02B 6/3849
				385/53
2019/0033531	A1 *	1/2019	Taira .....	G02B 6/3825
2021/0281005	A1 *	9/2021	Taira .....	H01R 13/506
2021/0286134	A1 *	9/2021	Taira .....	H01R 13/627

\* cited by examiner

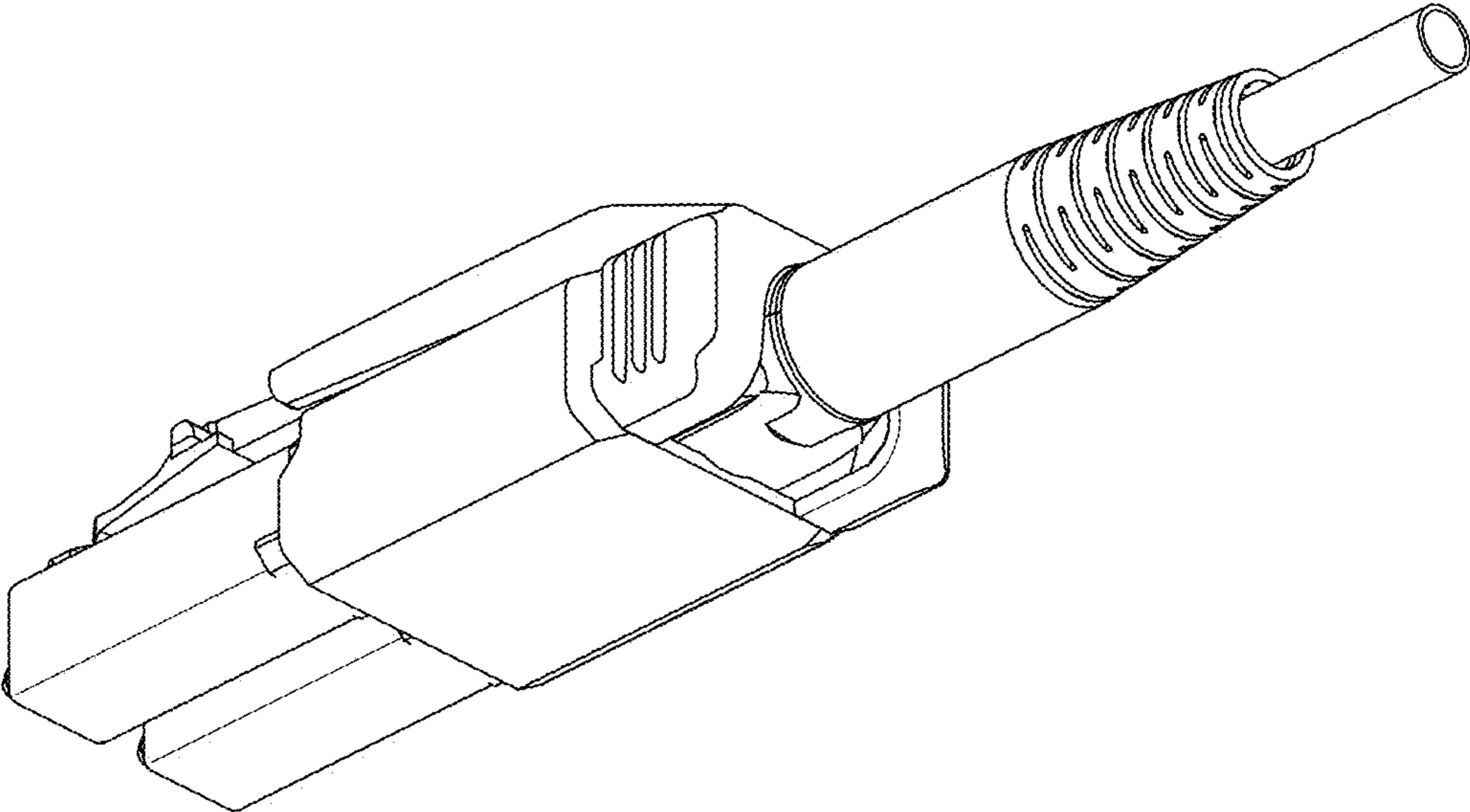
1.1



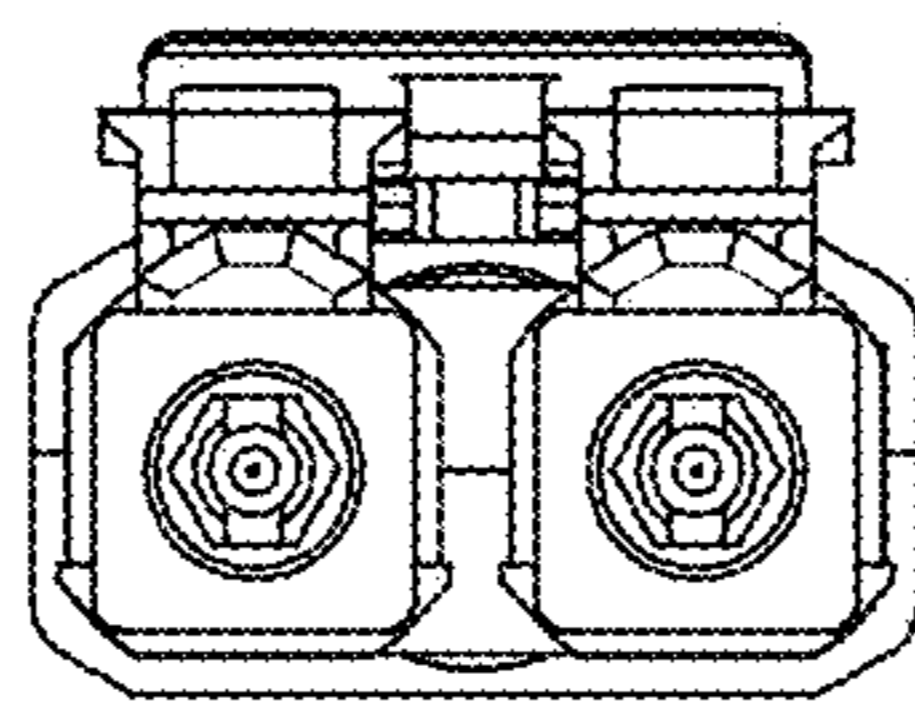
1.2



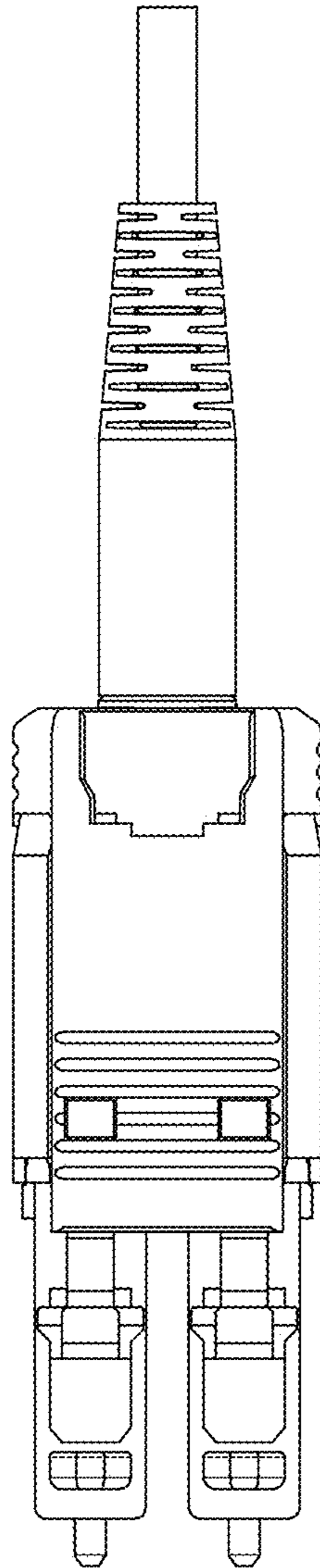
1.3



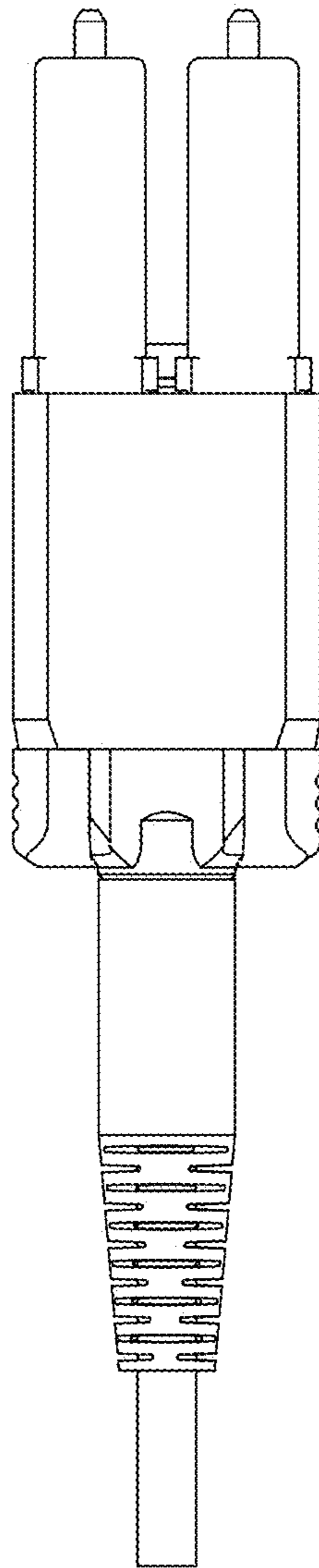
1.4



1.5



1.6





1.7

