



US00D980166S

(12) **United States Design Patent**
Ishiguro et al.

(10) **Patent No.:** **US D980,166 S**
(45) **Date of Patent:** **** Mar. 7, 2023**

(54) **CONNECTOR**

(71) Applicant: **Japan Aviation Electronics Industry, Limited**, Tokyo (JP)

(72) Inventors: **Masaki Ishiguro**, Tokyo (JP); **Hideto Shimazu**, Tokyo (JP)

(73) Assignee: **JAPAN AVIATION ELECTRONICS INDUSTRY, LIMITED**, Tokyo (JP)

(**) Term: **15 Years**

(21) Appl. No.: **29/763,113**

(22) Filed: **Dec. 21, 2020**

(30) **Foreign Application Priority Data**

Aug. 26, 2020 (JP) 2020-017841 D

(51) **LOC (14) Cl.** **13-03**

(52) **U.S. Cl.**
USPC **D13/133**

(58) **Field of Classification Search**
USPC D13/103, 108, 133, 138.1, 146-147, 149,
D13/154-156; D14/358; D24/155;
D26/49
CPC G02B 6/3849; G02B 6/3879; G02B 6/38;
H01R 13/28; H01R 24/84
See application file for complete search history.

(56) **References Cited**

U.S. PATENT DOCUMENTS

D461,448 S *	8/2002	Amin	D13/133
D524,738 S *	7/2006	Dobler	D13/133
D744,954 S *	12/2015	Ishiguro	D13/147
D751,505 S *	3/2016	Katagiyama	D13/133
D754,073 S *	4/2016	Katagiyama	D13/133
9,437,961 B1 *	9/2016	Smajda	H01R 13/28
D803,158 S *	11/2017	Smajda	D13/138.1
D872,694 S *	1/2020	Ishiguro	D13/133
D873,220 S *	1/2020	Ishiguro	D13/133

D876,359 S *	2/2020	Ishiguro	D13/133
2011/0211792 A1 *	9/2011	Koreeda	G02B 6/3879 385/60
2017/0357050 A1 *	12/2017	Koreeda	G02B 6/38
2021/0333482 A1 *	10/2021	Ishiguro	G02B 6/3849

FOREIGN PATENT DOCUMENTS

JP	2012018253 A *	1/2012	
JP	2019179160 A *	10/2019 G02B 6/36

* cited by examiner

Primary Examiner — Shawn T Gingrich

Assistant Examiner — Bryan N. Melvin

(74) *Attorney, Agent, or Firm* — Manabu Kanesaka

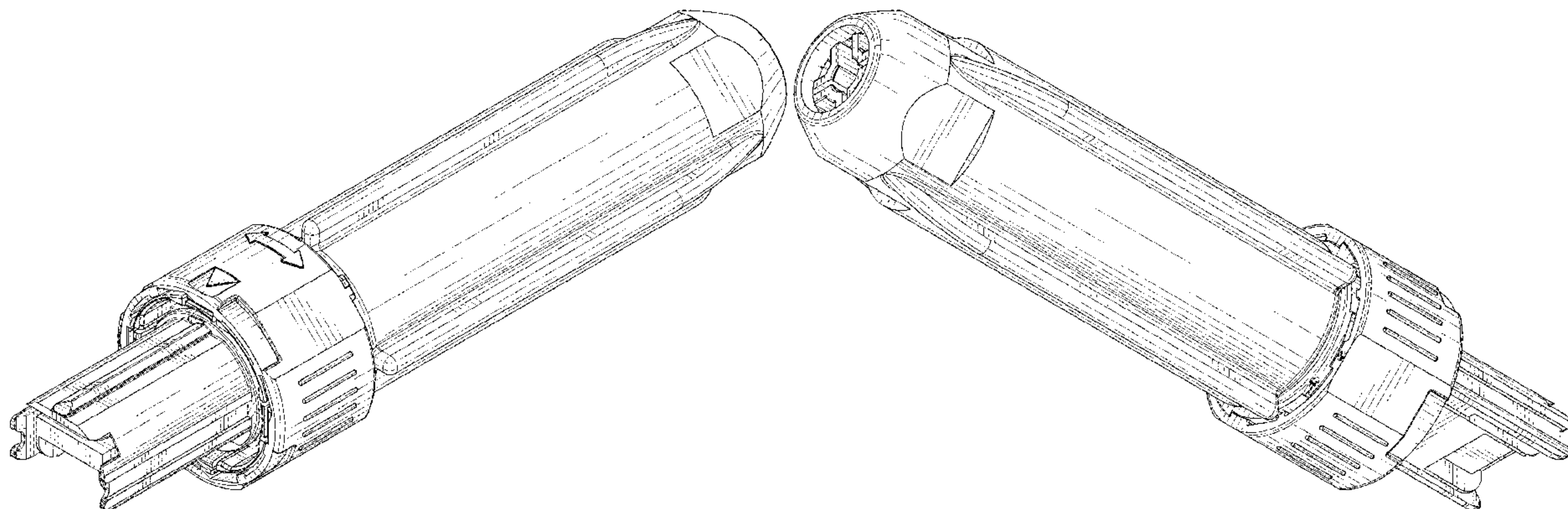
(57) **CLAIM**

The ornamental design for a connector, as shown and described.

DESCRIPTION

FIG. 1 is a front elevational view of a connector showing our new design;
 FIG. 2 is a rear elevational view thereof;
 FIG. 3 is a right side elevational view thereof;
 FIG. 4 is a left side elevational view thereof;
 FIG. 5 is a top plan view thereof;
 FIG. 6 is a bottom plan view thereof;
 FIG. 7 is a perspective view showing a front, top and right side thereof;
 FIG. 8 is a perspective view showing a rear, bottom and left side thereof;
 FIG. 9 is a perspective view showing a front, right and bottom side thereof; and,
 FIG. 10 is a perspective view showing a rear, left and top side thereof.
 The broken line showing of the connector is for the purpose of illustrating portions of the article and forms no part of the claimed design.

1 Claim, 5 Drawing Sheets



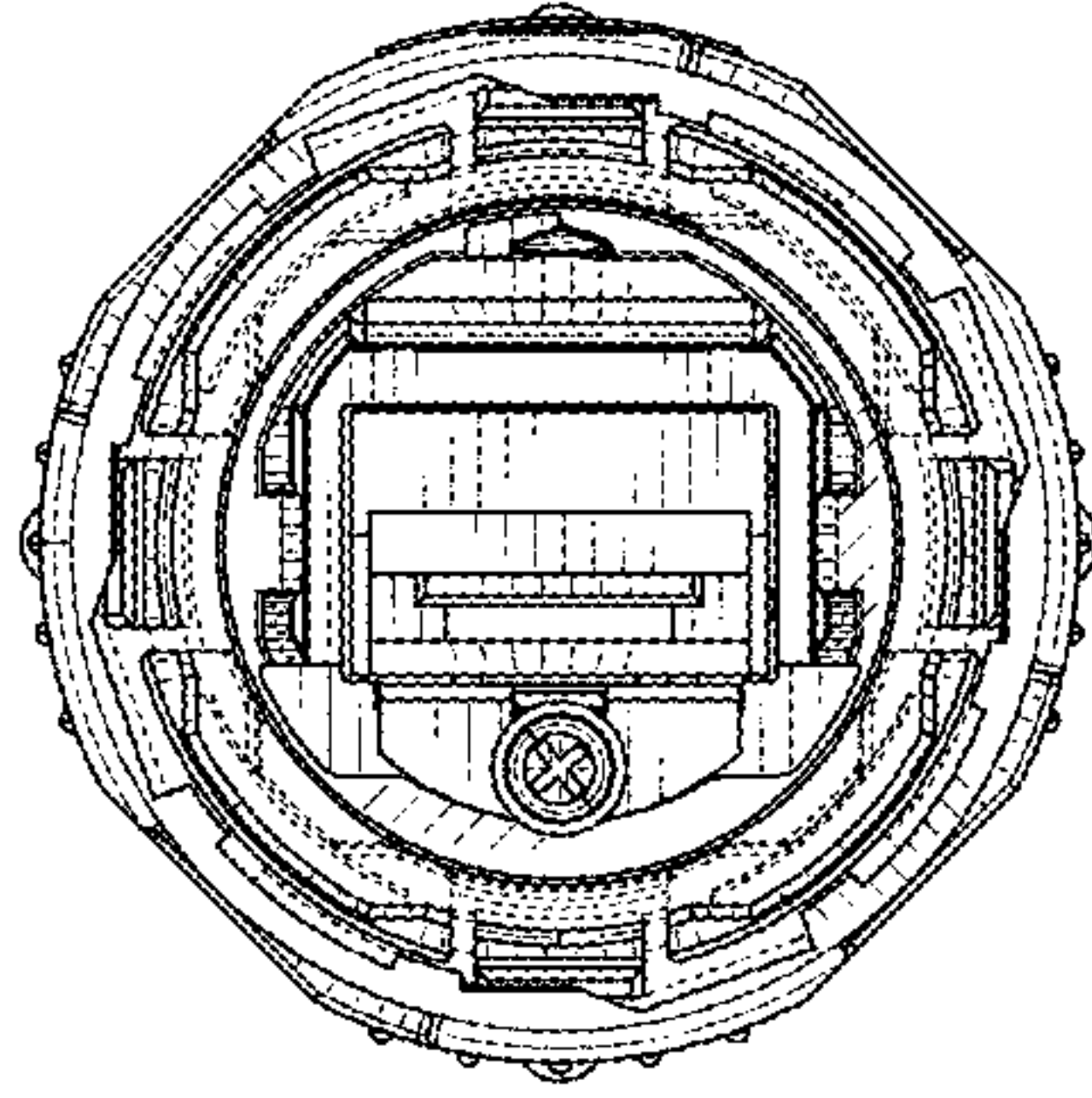


FIG. 1

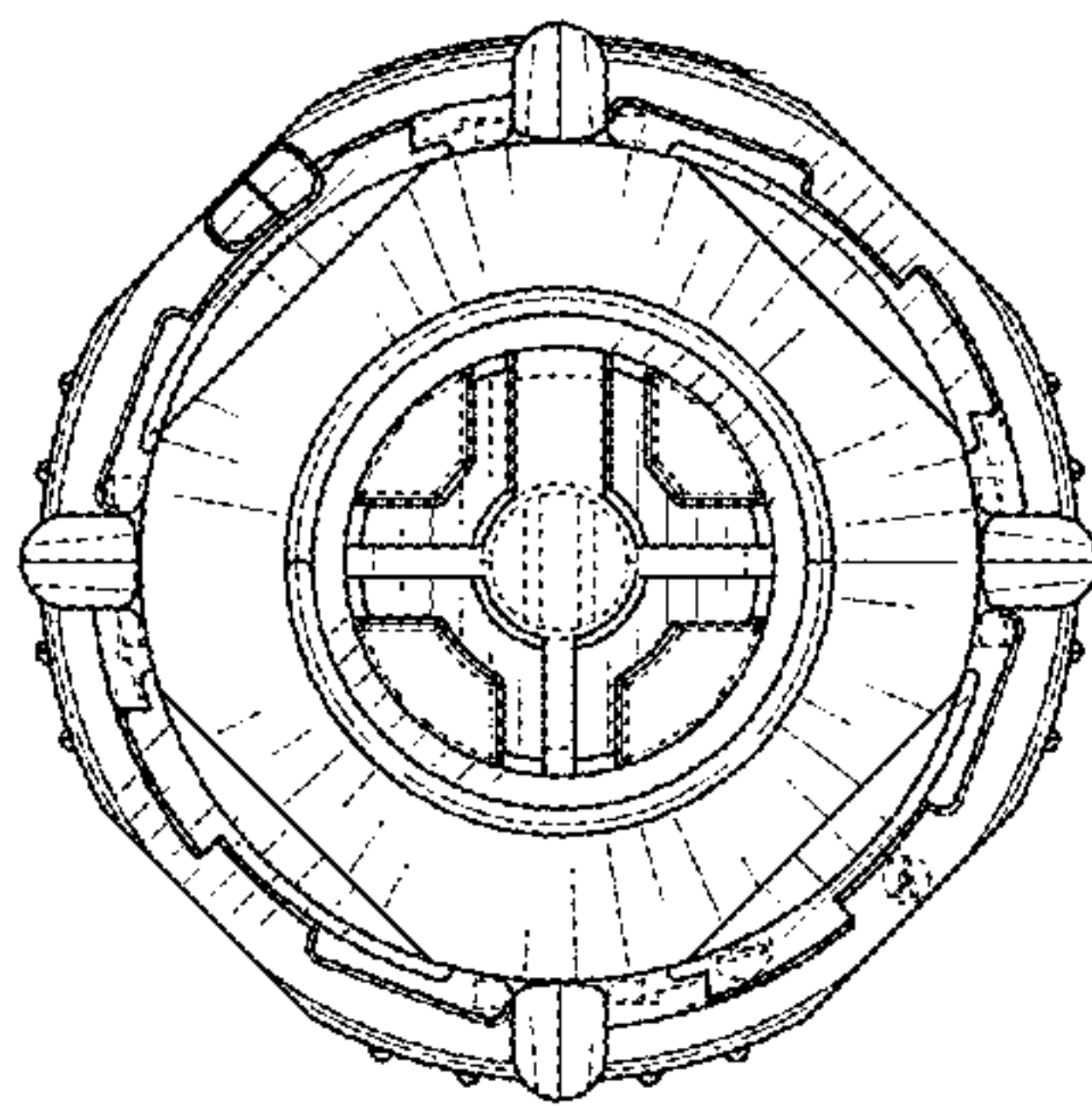


FIG. 2

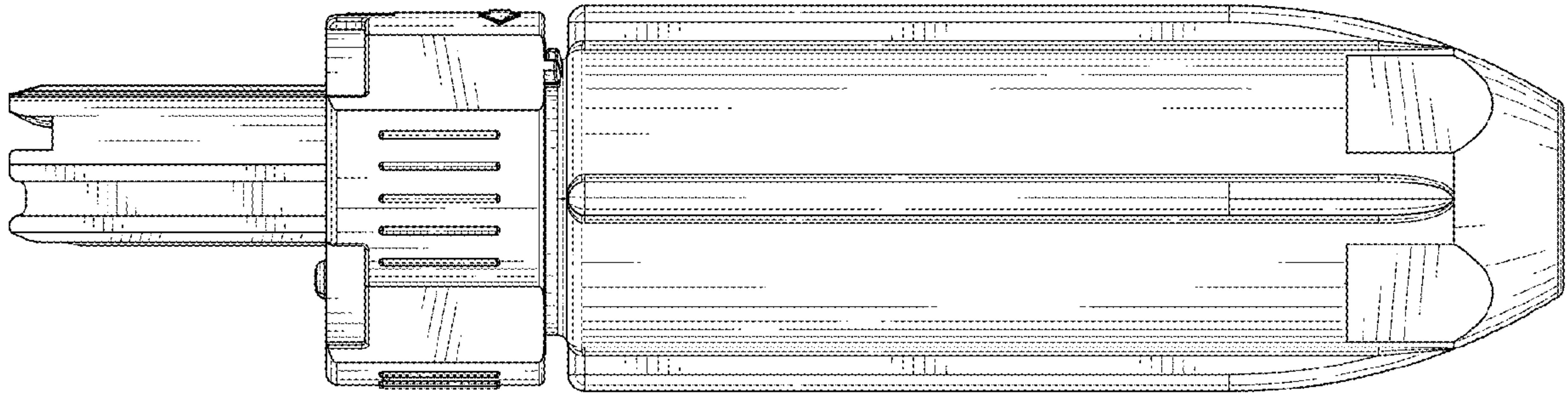


FIG. 3

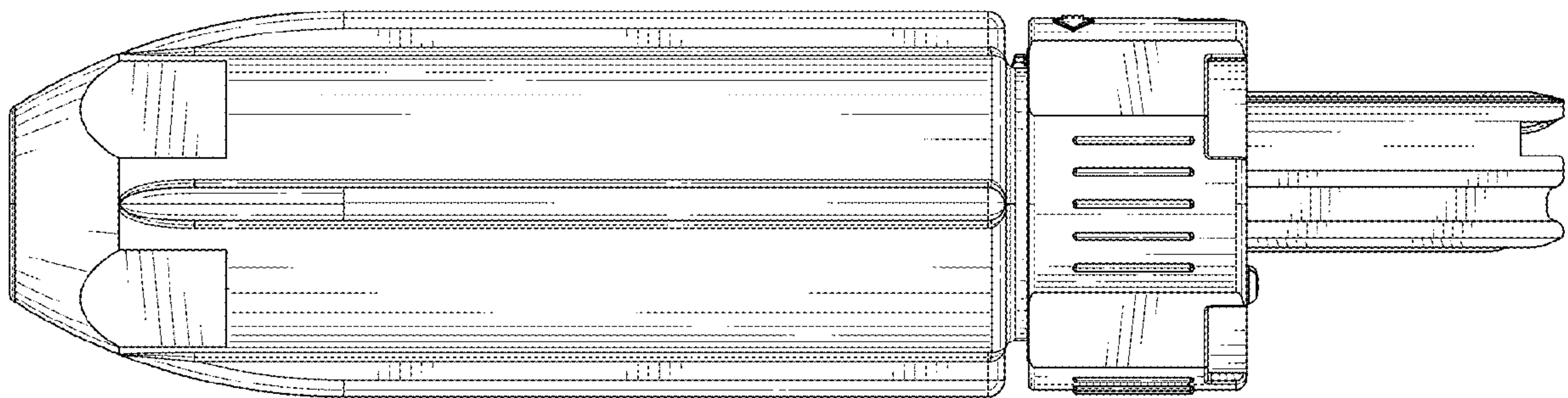


FIG. 4

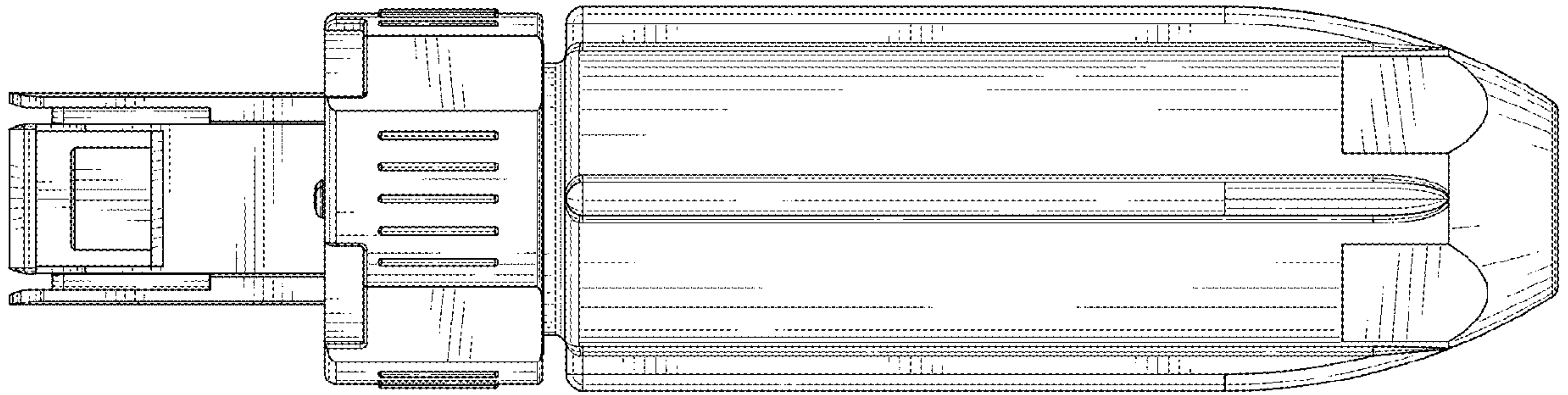


FIG. 6

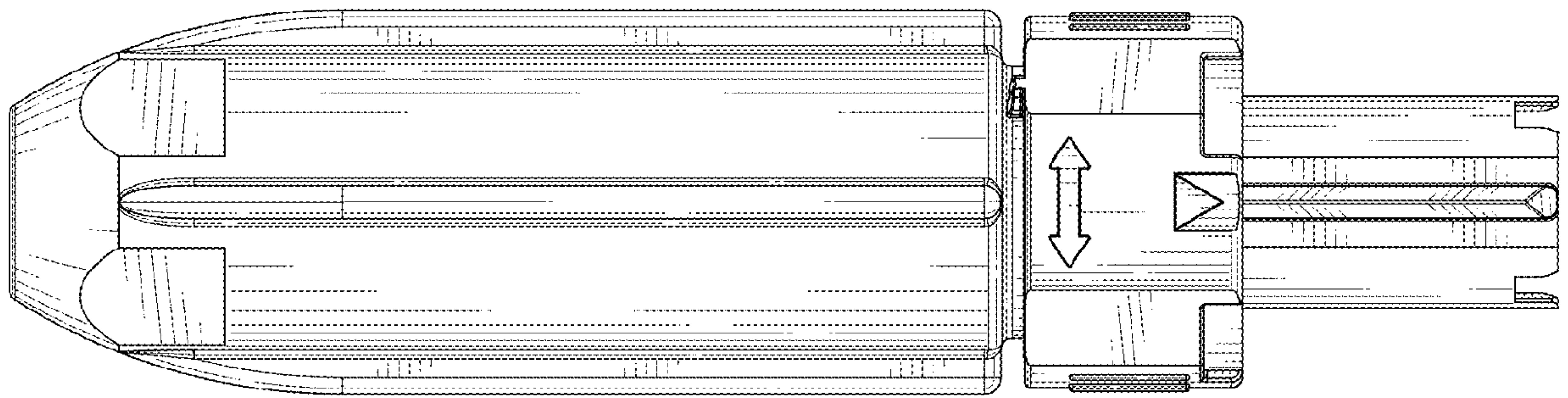


FIG. 5

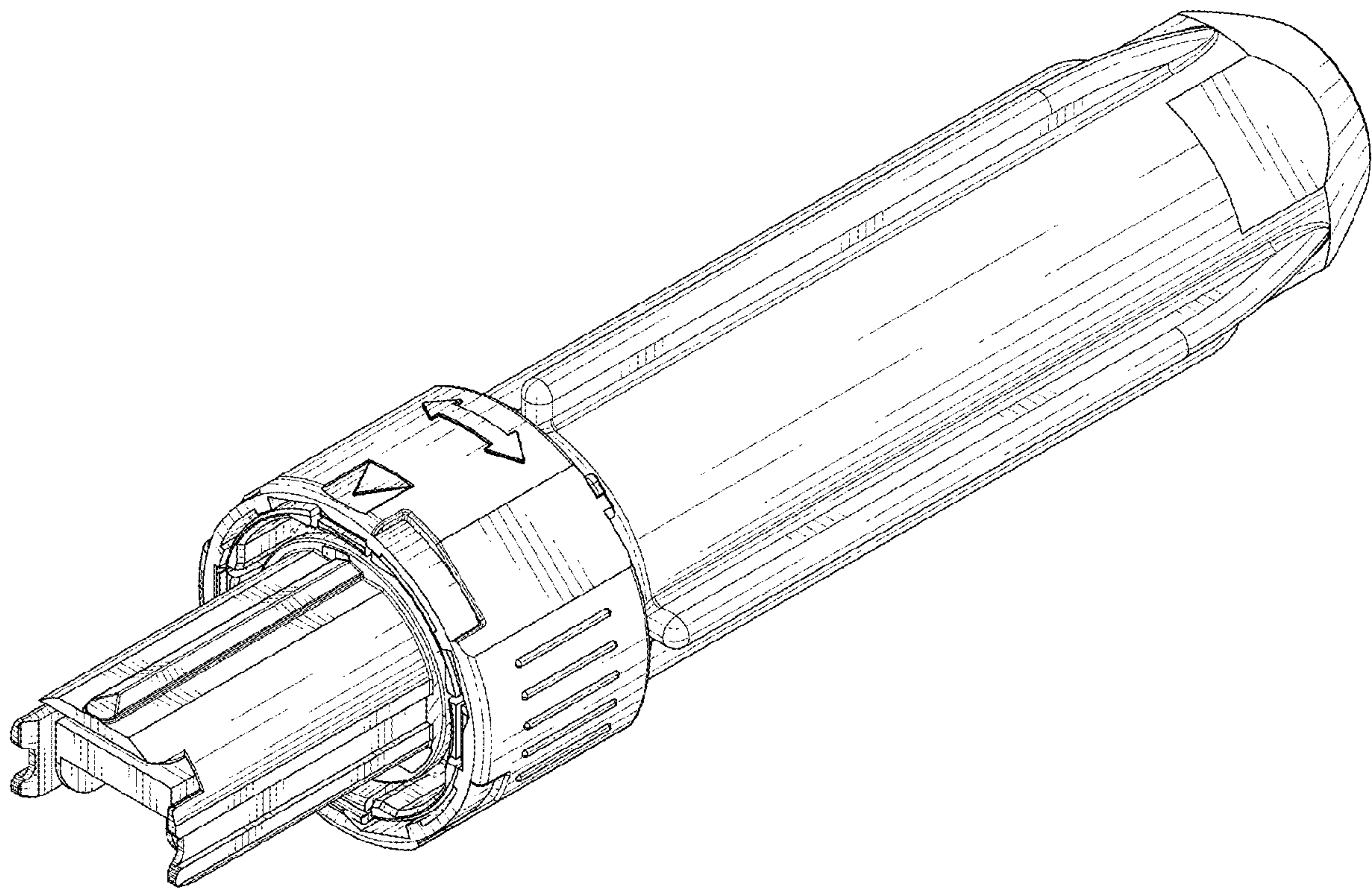


FIG. 7

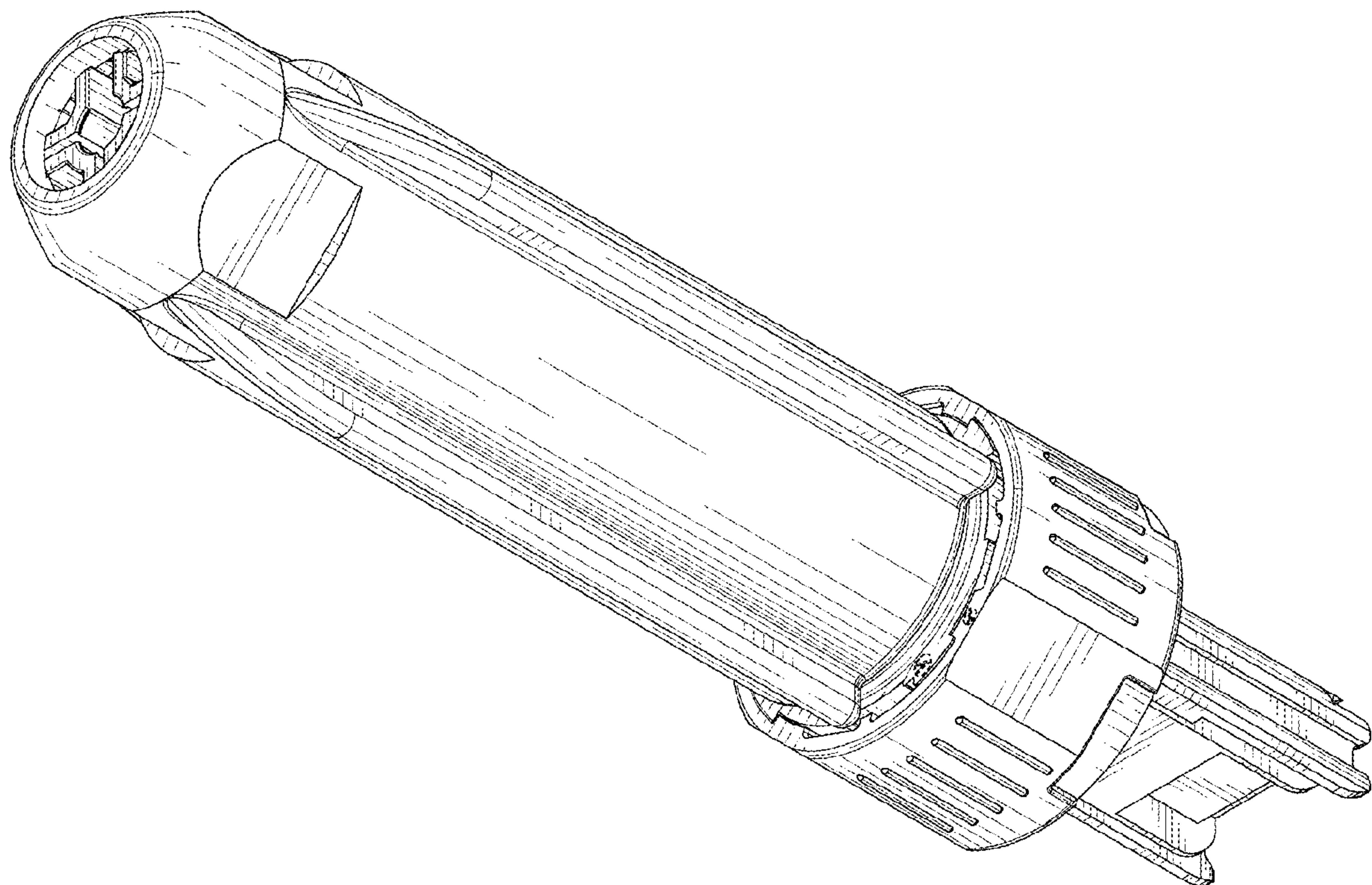


FIG. 8

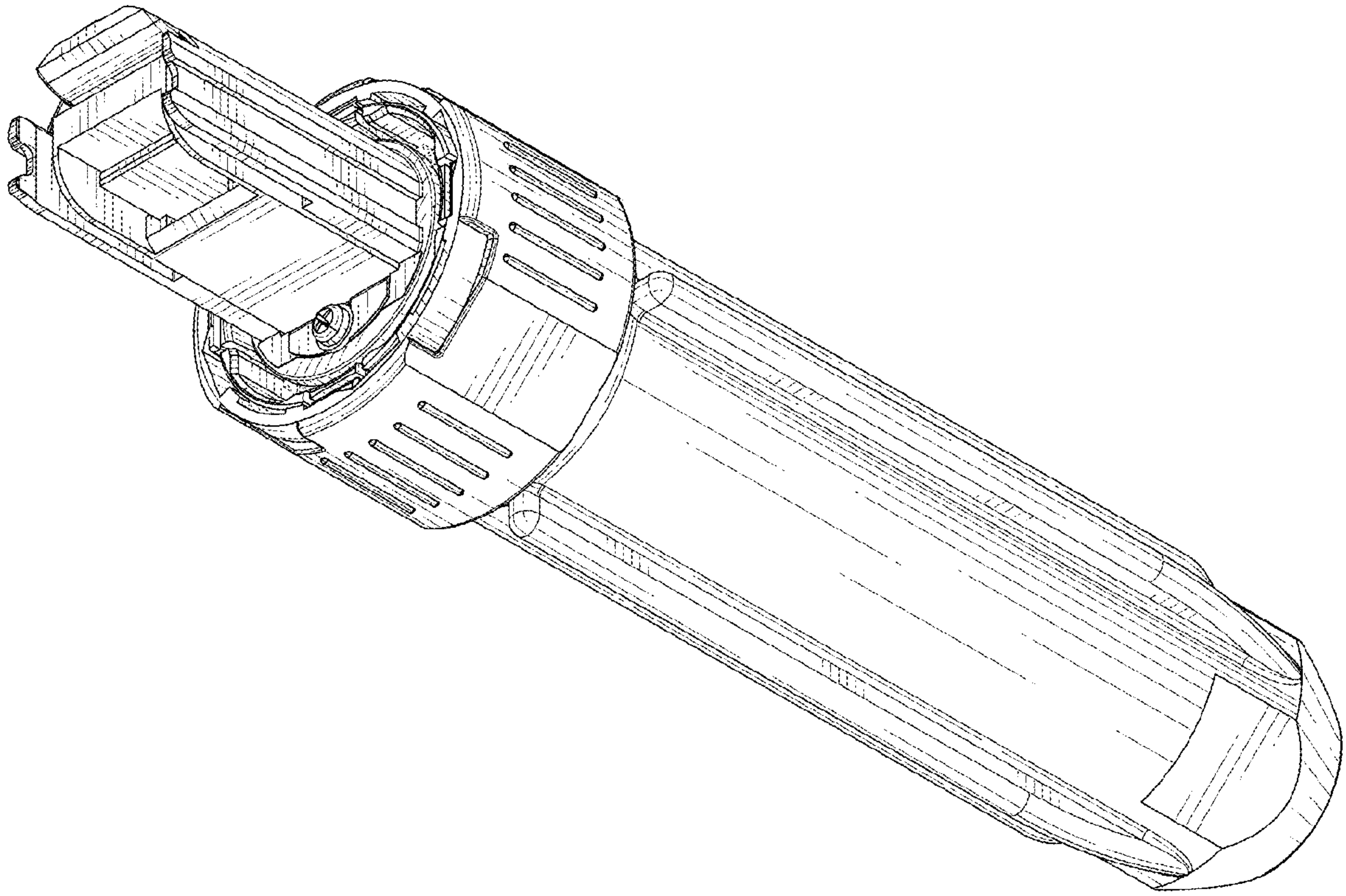


FIG. 9

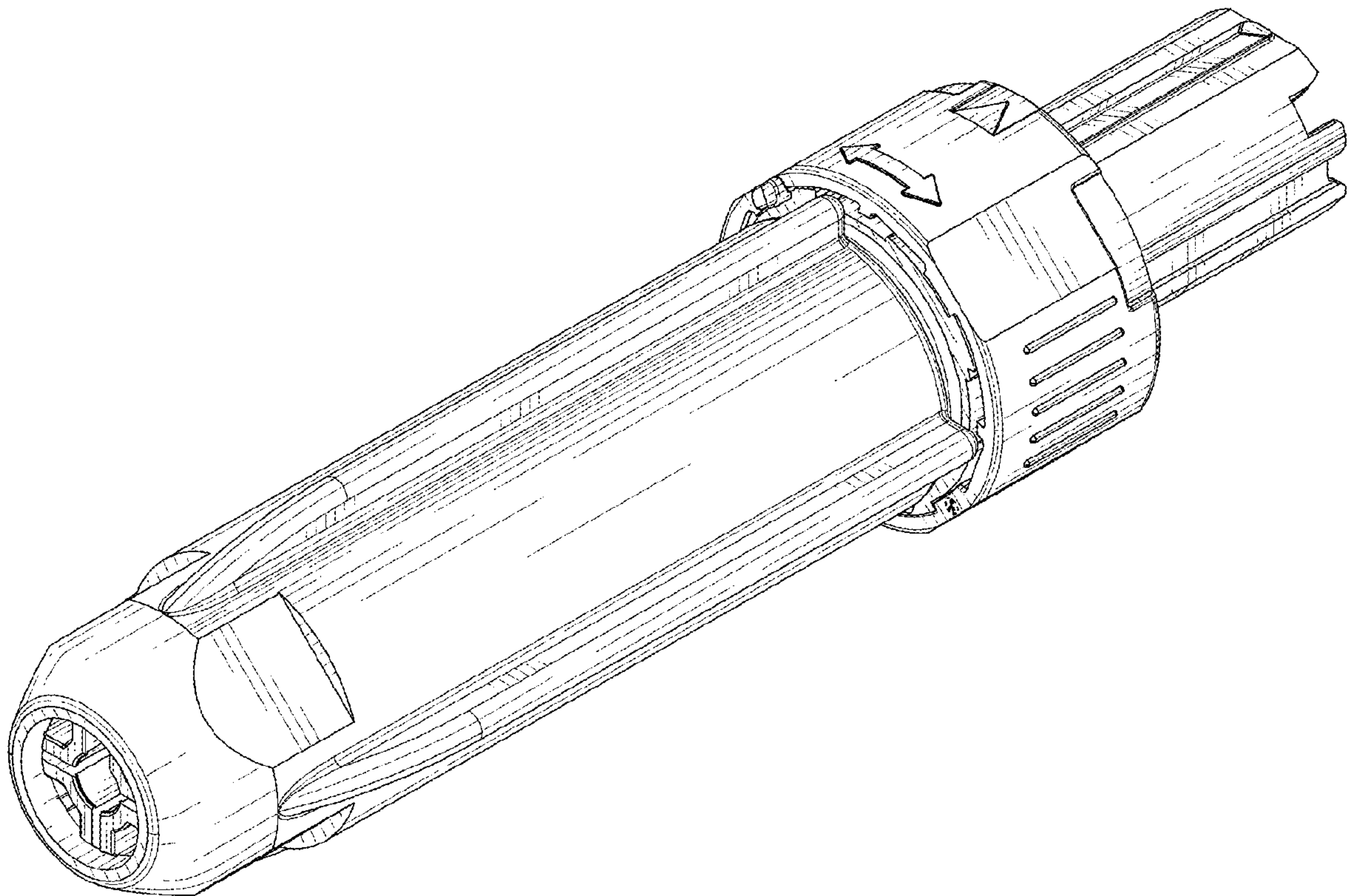


FIG. 10