



US00D980164S

(12) **United States Design Patent**  
**Buono**

(10) **Patent No.:** **US D980,164 S**  
(45) **Date of Patent:** **\*\* Mar. 7, 2023**

- (54) **INDUCTOR**
- (71) Applicant: **Crestron Electronics, Inc.**, Rockleigh, NJ (US)
- (72) Inventor: **Robert Buono**, Ringwood, NJ (US)
- (73) Assignee: **Crestron Electronics, Inc.**, Rockleigh, NJ (US)
- (\*\*) Term: **15 Years**
- (21) Appl. No.: **29/801,305**
- (22) Filed: **Jul. 28, 2021**

**Related U.S. Application Data**

- (63) Continuation of application No. 16/436,390, filed on Jun. 10, 2019.
- (51) **LOC (14) Cl.** ..... **13-02**
- (52) **U.S. Cl.**  
USPC ..... **D13/117**
- (58) **Field of Classification Search**  
USPC ..... D13/101, 110, 117, 118, 122, 133, 179, D13/183, 199; D21/386, 484, 491, 497, D21/500, 503  
CPC ..... H01F 27/02; H01F 27/04; H01F 27/24; H01F 27/26; H01F 27/28; H01F 27/29; H01F 27/245; H01F 27/263; H01F 27/292; H01F 27/325; H01F 41/06; H01F 41/076; H01F 41/0233; H01F 41/0246; H02K 5/16; H02M 3/28  
See application file for complete search history.

(56) **References Cited**

**U.S. PATENT DOCUMENTS**

- D330,189 S \* 10/1992 Burrow ..... D13/118
- 6,114,932 A \* 9/2000 Wester ..... H01F 27/29 336/200

- D442,547 S \* 5/2001 Takebuchi ..... D13/117
- 6,617,948 B2 \* 9/2003 Kuroshima ..... H01F 27/34 336/83
- D550,622 S \* 9/2007 Shih ..... D13/118
- D586,745 S \* 2/2009 Shibata ..... D13/117
- 7,489,225 B2 \* 2/2009 Dadafshar ..... H01F 27/255 336/223
- 7,821,369 B2 \* 10/2010 Sano ..... H01F 17/045 336/84 M
- 9,536,653 B2 \* 1/2017 Yamada ..... H01F 41/071
- 2008/0078474 A1 \* 4/2008 Naito ..... H01F 1/15308 148/304
- 2018/0315542 A1 \* 11/2018 Hayashi ..... H01F 27/2823

\* cited by examiner

*Primary Examiner* — Derrick E Holland

(74) *Attorney, Agent, or Firm* — Crestron Electronics, Inc.

(57) **CLAIM**

The ornamental design for an inductor, as shown and described.

**DESCRIPTION**

FIG. 1 illustrates a front perspective view of an inductor showing the new design.  
 FIG. 2 illustrates a front view of the inductor of FIG. 1.  
 FIG. 3 illustrates a back view of the inductor of FIG. 1.  
 FIG. 4 illustrates a top view of the inductor of FIG. 1.  
 FIG. 5 illustrates a bottom view of the inductor of FIG. 1.  
 FIG. 6 illustrates a left side view of the inductor of FIG. 1; and,  
 FIG. 7 illustrates a right side view of the inductor of FIG. 1.

**1 Claim, 2 Drawing Sheets**

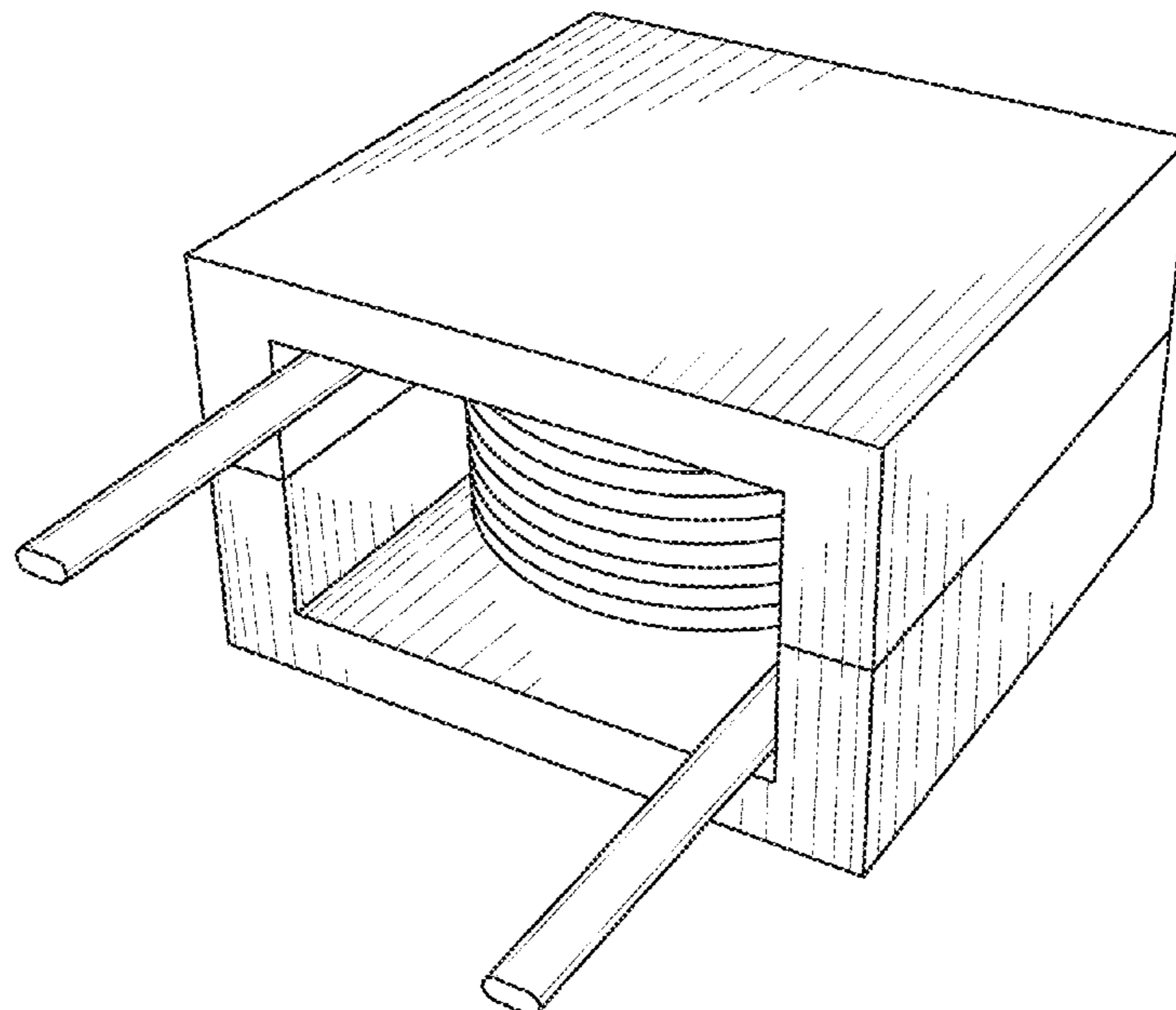


FIG. 1

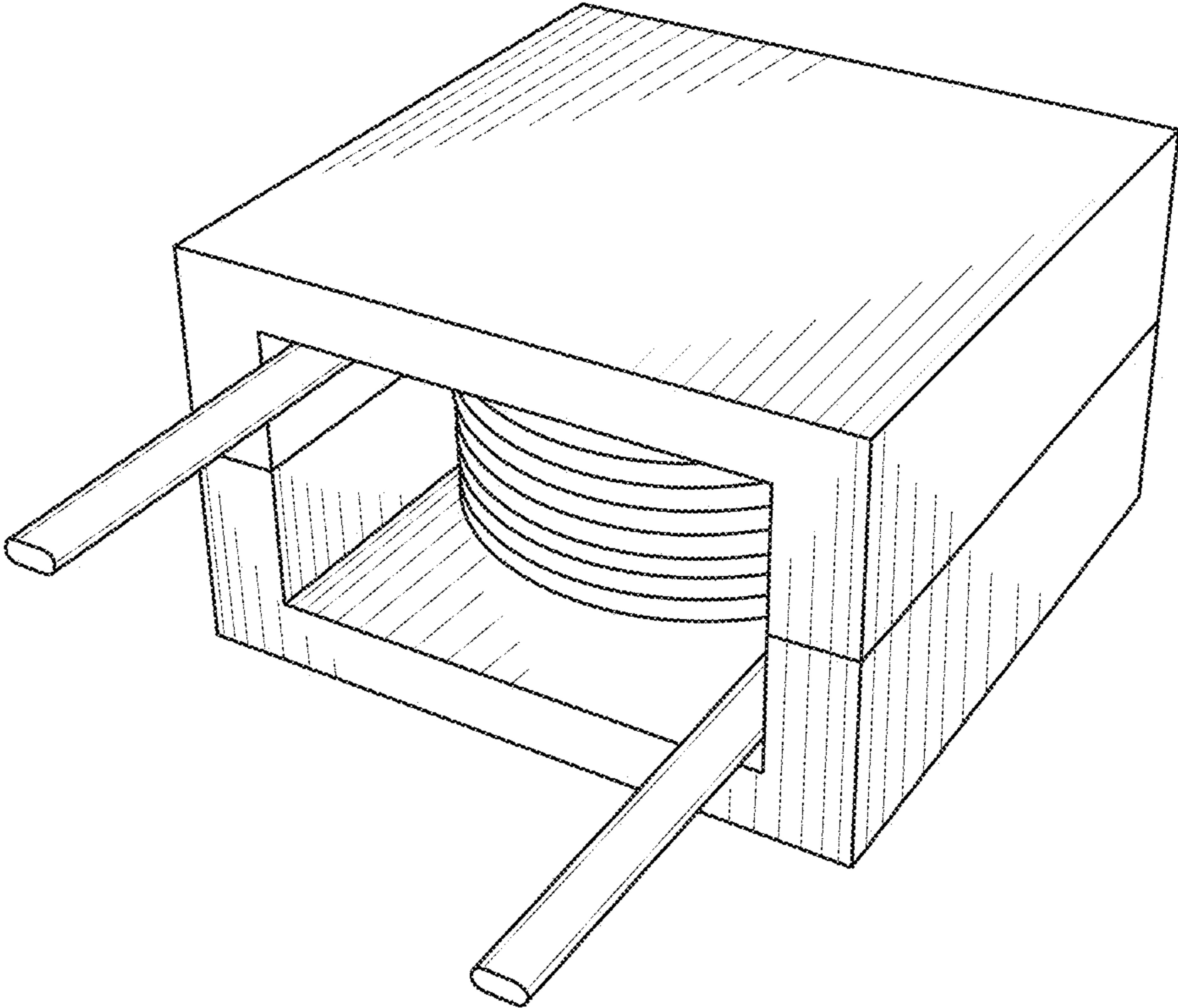


FIG. 2

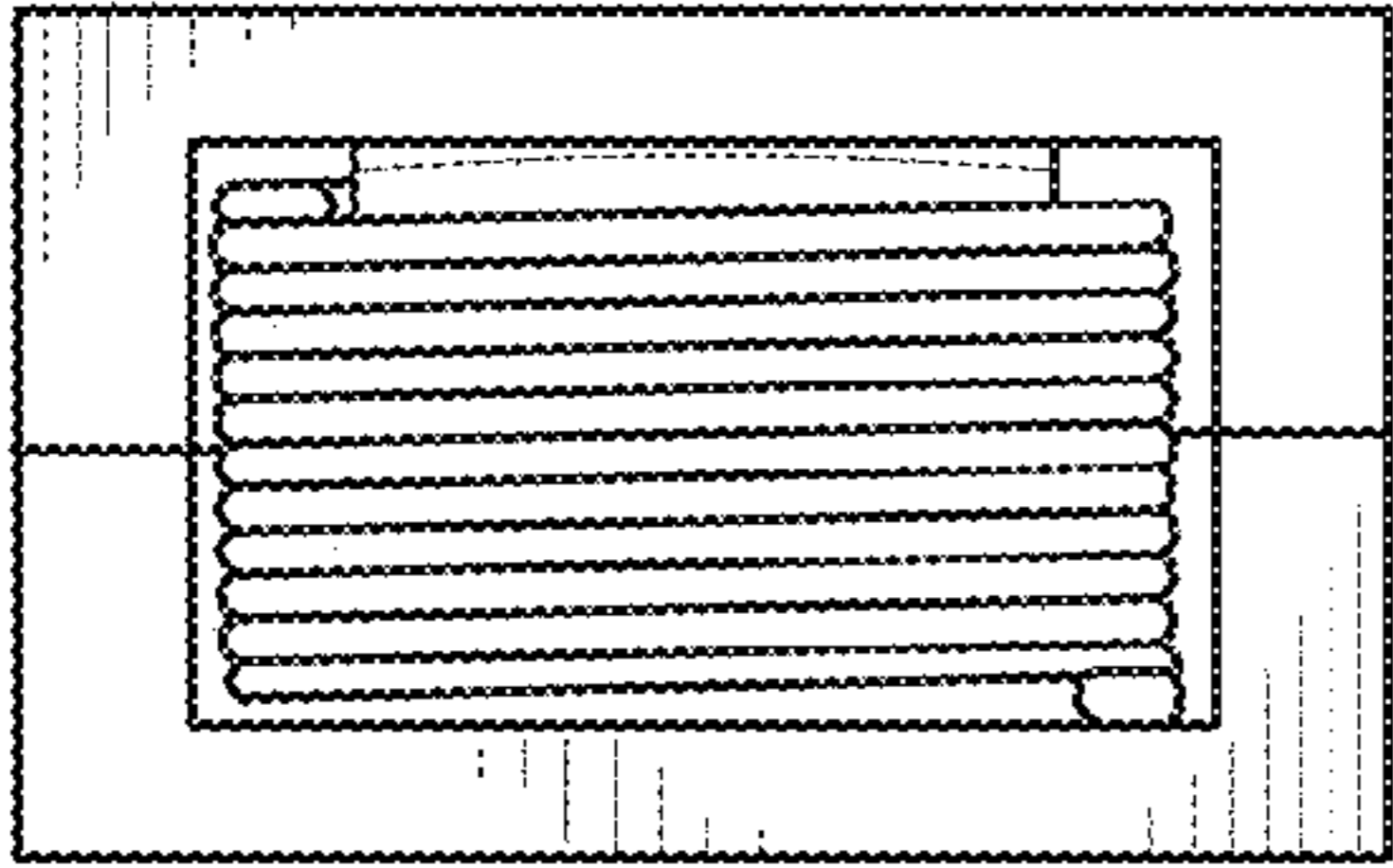


FIG. 3



FIG. 4

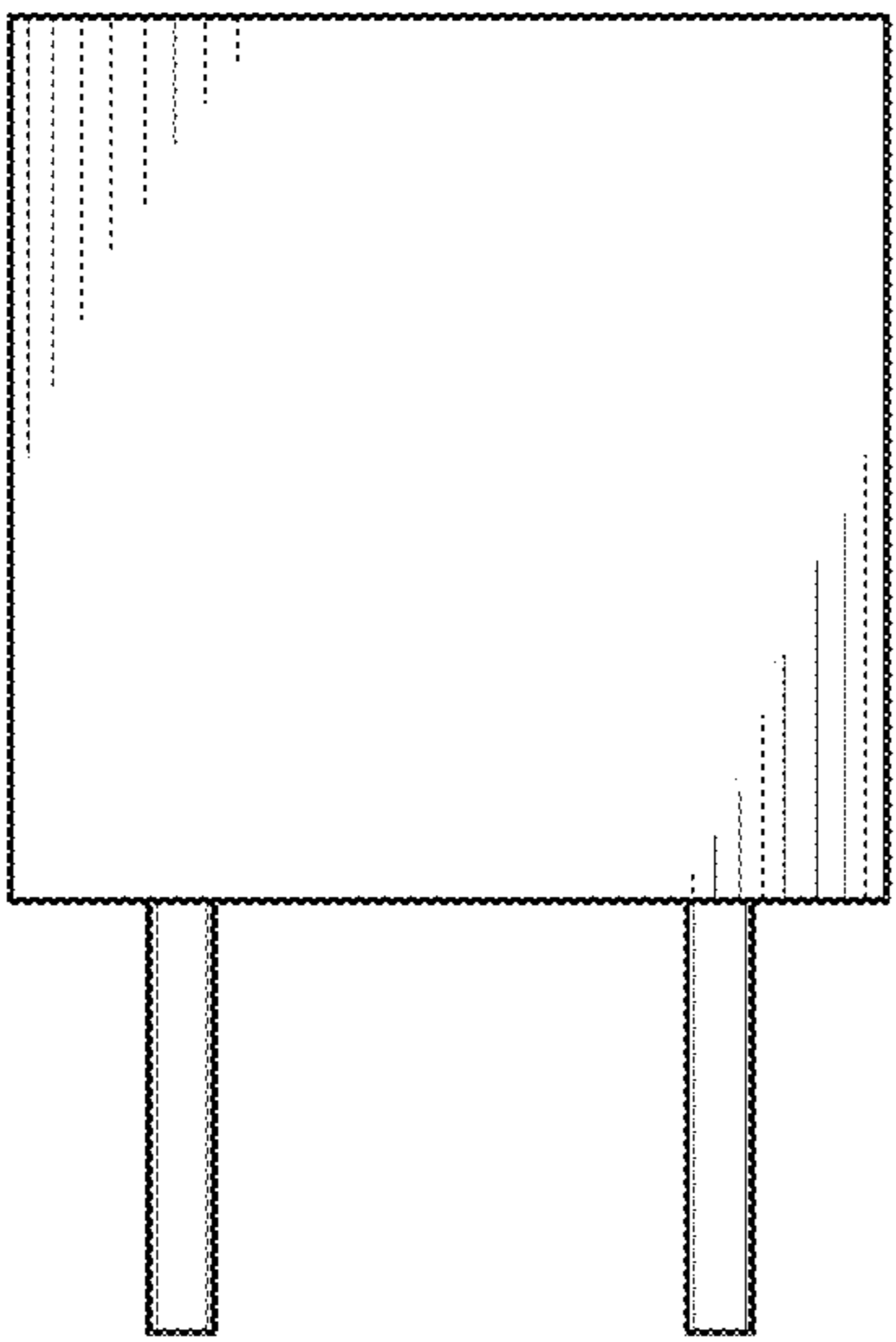


FIG. 5

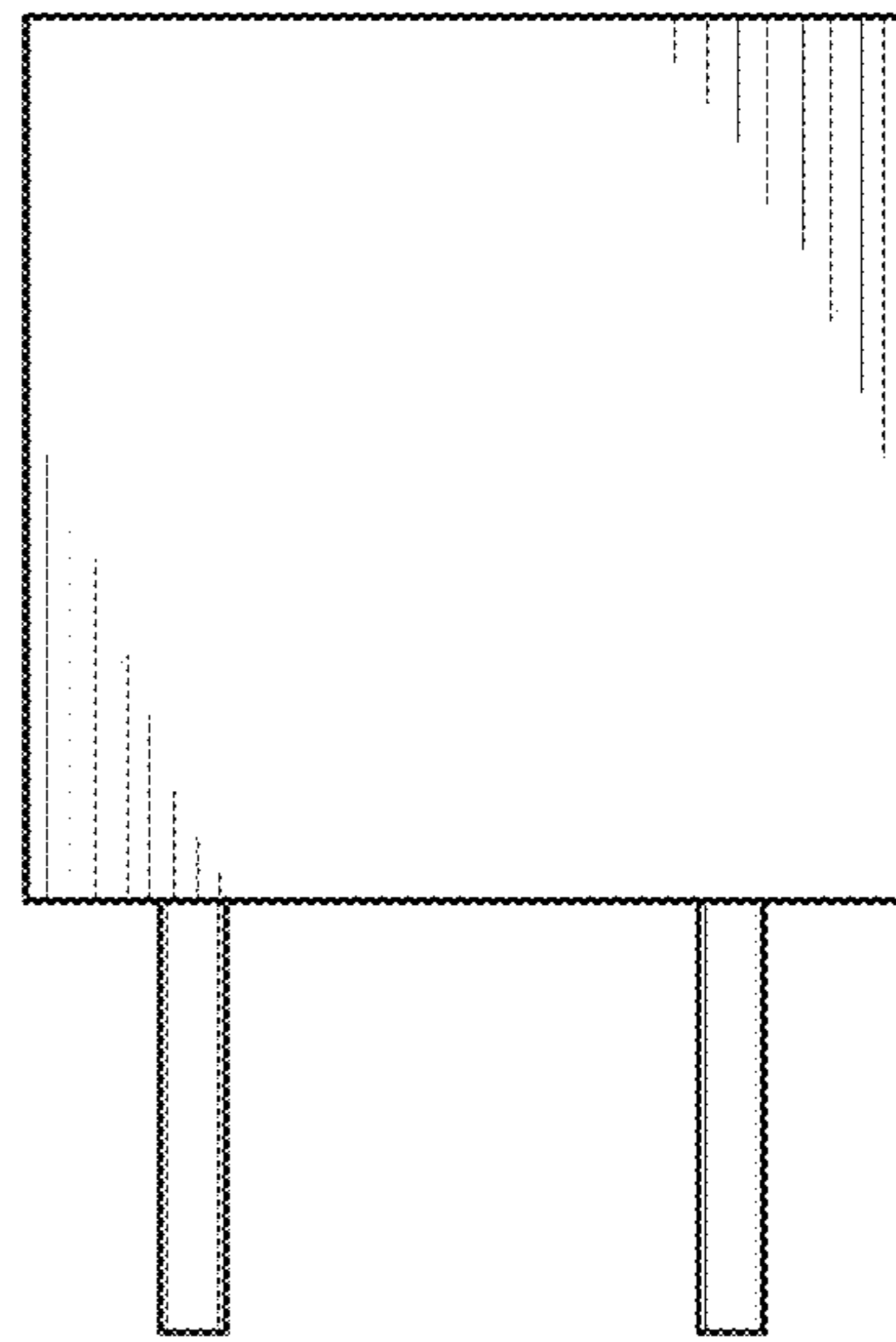


FIG. 6

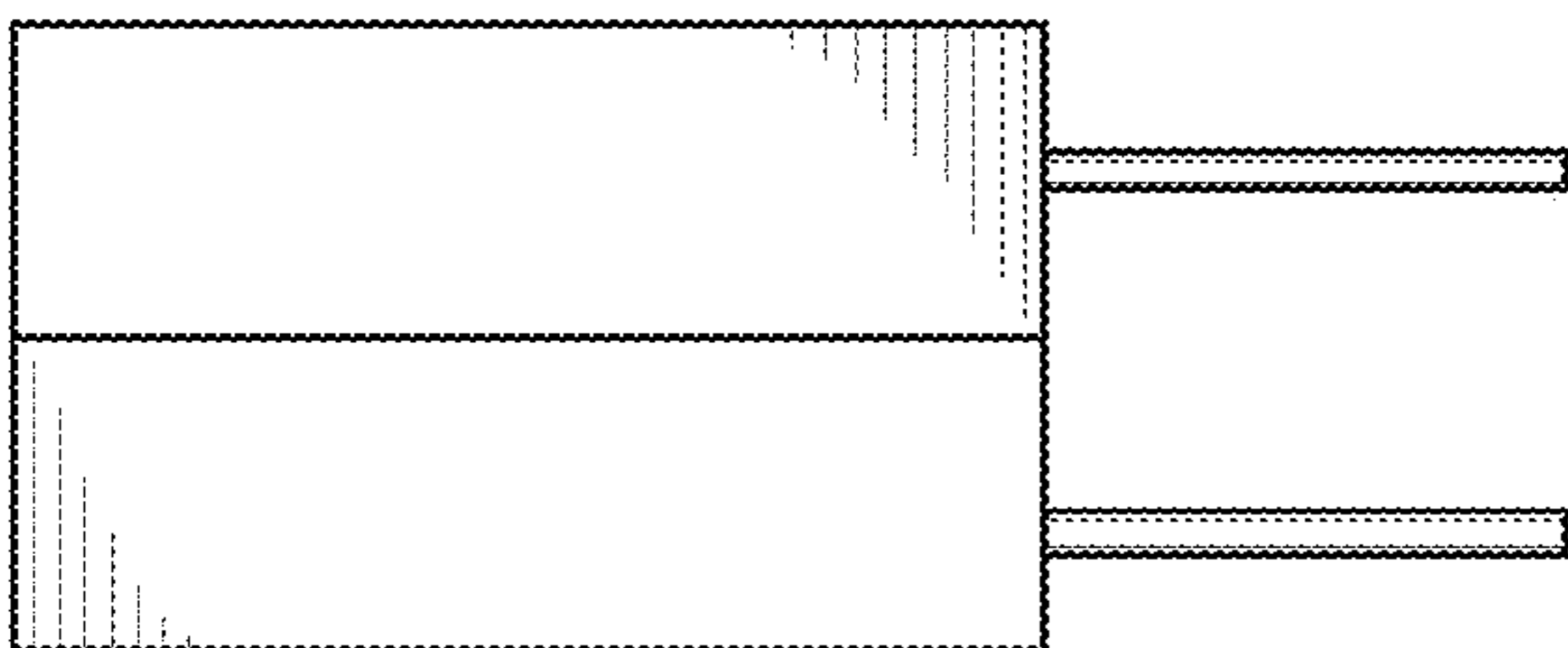


FIG. 7

