



US00D980163S

(12) **United States Design Patent**
Liu

(10) **Patent No.:** **US D980,163 S**
(45) **Date of Patent:** **** Mar. 7, 2023**

(54) **WIRELESS CHARGER**

(71) Applicant: **Guanyuan Jianye (Dongguan) Intelligent Manufacturing Co., Ltd., Dongguan (CN)**

(72) Inventor: **Yong Liu, Yichun (CN)**

(**) Term: **15 Years**

(21) Appl. No.: **29/850,090**

(22) Filed: **Aug. 17, 2022**

Related U.S. Application Data

(63) Continuation-in-part of application No. 29/845,074, filed on Jul. 5, 2022, now Pat. No. Des. 968,327.

(51) **LOC (14) Cl.** **13-02**

(52) **U.S. Cl.**
USPC **D13/108**

(58) **Field of Classification Search**
USPC D13/107-108, 110, 118-119, 184, 199;
D14/251, 253, 432, 434, 447
CPC .. H02J 7/025; H02J 7/005; H02J 50/00; H02J 50/10; H02J 50/12; H02J 50/80; H02J 7/02; H02J 7/0026; H02J 7/0042; H02J 7/0044; H02J 7/0045; H02J 7/0013; H02J 7/0003

See application file for complete search history.

(56) **References Cited**

U.S. PATENT DOCUMENTS

D782,973 S	4/2017	Zhou	
D839,825 S	2/2019	Tschopp	
D856,926 S *	8/2019	Yoon	D13/108
D884,625 S *	5/2020	Li	D13/108
D885,334 S *	5/2020	Covington	D13/108
D891,367 S *	7/2020	Covington	D13/108
D900,737 S *	11/2020	Hsu	D13/108

(Continued)

FOREIGN PATENT DOCUMENTS

CN	307222426	*	4/2022
EM	009059207 S	†	6/2022
GB	6228254 S	†	8/2022

OTHER PUBLICATIONS

“The MagStack 3-in-1 is a powerful folding wireless charger” by DealPostTeam. Published on Macworld.com, Mar. 11, 2022. <<https://www.macworld.com/article/619336/the-magstack-3-in-1-is-a-powerful-folding-wireless-charger.html>>. (Year: 2022).*

“UCOMX Nano 3 in 1 Wireless Charger,Magnetic Foldable 3 in 1 Charging Station,Fast Wireless Charging Pad,Compatible with iPhone 14/Pro/Max/Plus/13/12 Series AirPods 3/2/Pro,iWatch(Adapter Included)”, Amazon.com, first available on Sep. 7, 2021. <<https://www.amazon.com/dp/B09FKZGSSK/?th=1>>. (Year: 2021).*

(Continued)

Primary Examiner — Rosemary K Tarcza

(74) *Attorney, Agent, or Firm* — Rumit Ranjit Kanakia

(57) **CLAIM**

The ornamental design for a wireless charger, as shown and described.

DESCRIPTION

FIG. 1 is a perspective view of a wireless charger showing my new design;

FIG. 2 is another perspective view thereof;

FIG. 3 is a front elevational view thereof;

FIG. 4 is a rear elevational view thereof;

FIG. 5 is a left side view thereof, the right side view being a mirror image of FIG. 5;

FIG. 6 is a top plan view thereof;

FIG. 7 is a bottom plan view thereof;

FIG. 8 is a partial enlarged view of FIG. 1;

FIG. 9 is a partial enlarged view of FIG. 2;

FIG. 10 is a partial enlarged view of FIG. 5;

FIG. 11 is a partial enlarged view of FIG. 6;

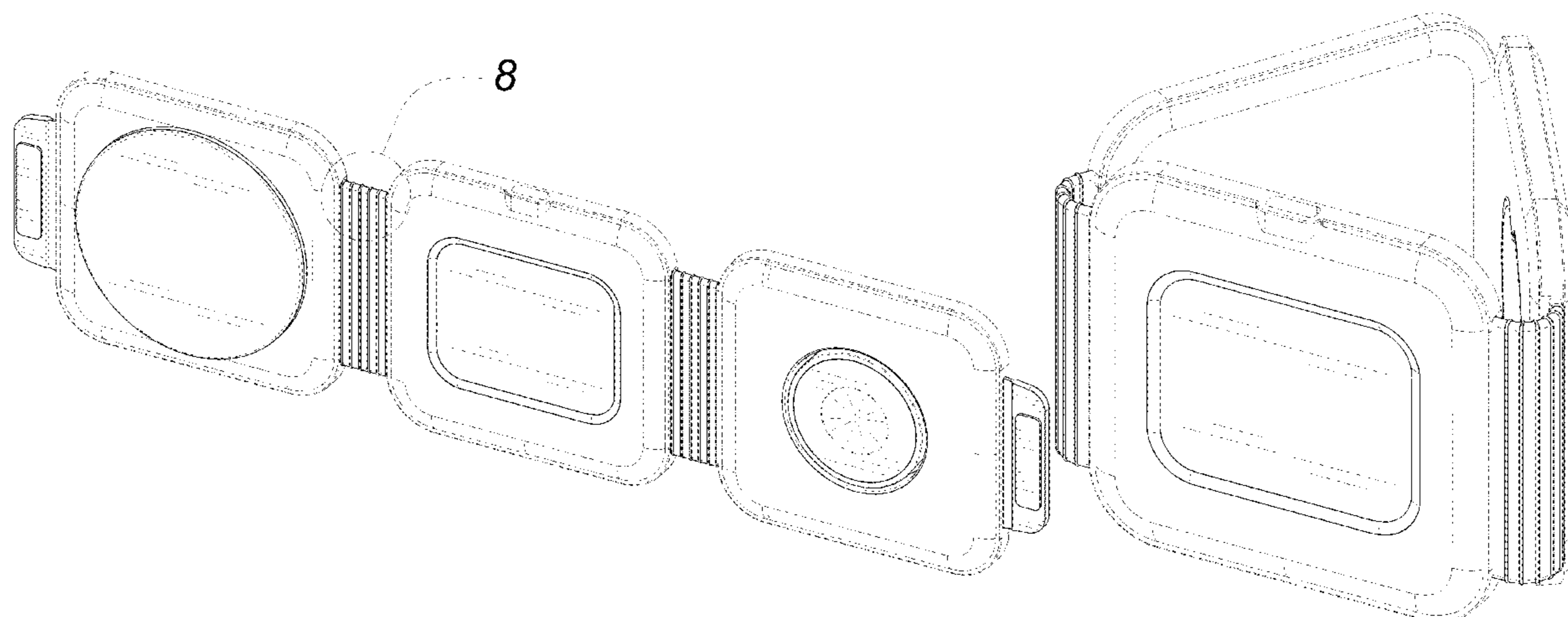
FIG. 12 is a partial enlarged view of FIG. 7;

FIG. 13 is a perspective view of the wireless charger in another state; and,

FIG. 14 is a perspective view of the wireless charger in a folded state.

The broken lines in the figures are for the purposes of illustrating portions of the wireless charger, which form no part of the claimed design.

1 Claim, 11 Drawing Sheets



(56)

References Cited

U.S. PATENT DOCUMENTS

D902,151 S	11/2020	Yang	
D908,621 S *	1/2021	Akana	D13/108
D922,947 S	6/2021	Wang	
D922,948 S	6/2021	Wang	
D933,600 S	10/2021	Wang	
D934,169 S	10/2021	Huang	
D934,796 S	11/2021	Ryu	
D935,398 S	11/2021	Wang	
D963,570 S *	9/2022	Liu	D13/108
D964,932 S *	9/2022	Huang	D13/108
D968,327 S *	11/2022	Liu	D13/108
D968,328 S *	11/2022	Liu	D13/108

OTHER PUBLICATIONS

“Unravel 3-in-1 Foldable Travel Wireless Charger—7.5W Charging Station for iPhone 14, 13, 12, Pro, Pro Max, Mini, Apple Watch Ultra, SE, Series 1-8, AirPods, AirPods Pro—Black (No AC Adapter)”, Amazon.com, first available on Aug. 6, 2021. <<https://www.amazon.com/dp/B09C28SBL3?th=1>>. (Year: 2021).*

“Murpiso 3 in 1 Magnetic Foldable Wireless Charger,Folding Wireless Charging Station for Travel,Wireless Charging Pad Compatible with iPhone 14 13 12 11/Pro”, Amazon.com, first available on Jun. 13, 2022. <https://www.amazon.com/MURPISO-Magnetic-Foldable-Wireless-Compatible/dp/B0B3X36BF7/?th=1>>. (Year: 2022).*

* cited by examiner

† cited by third party

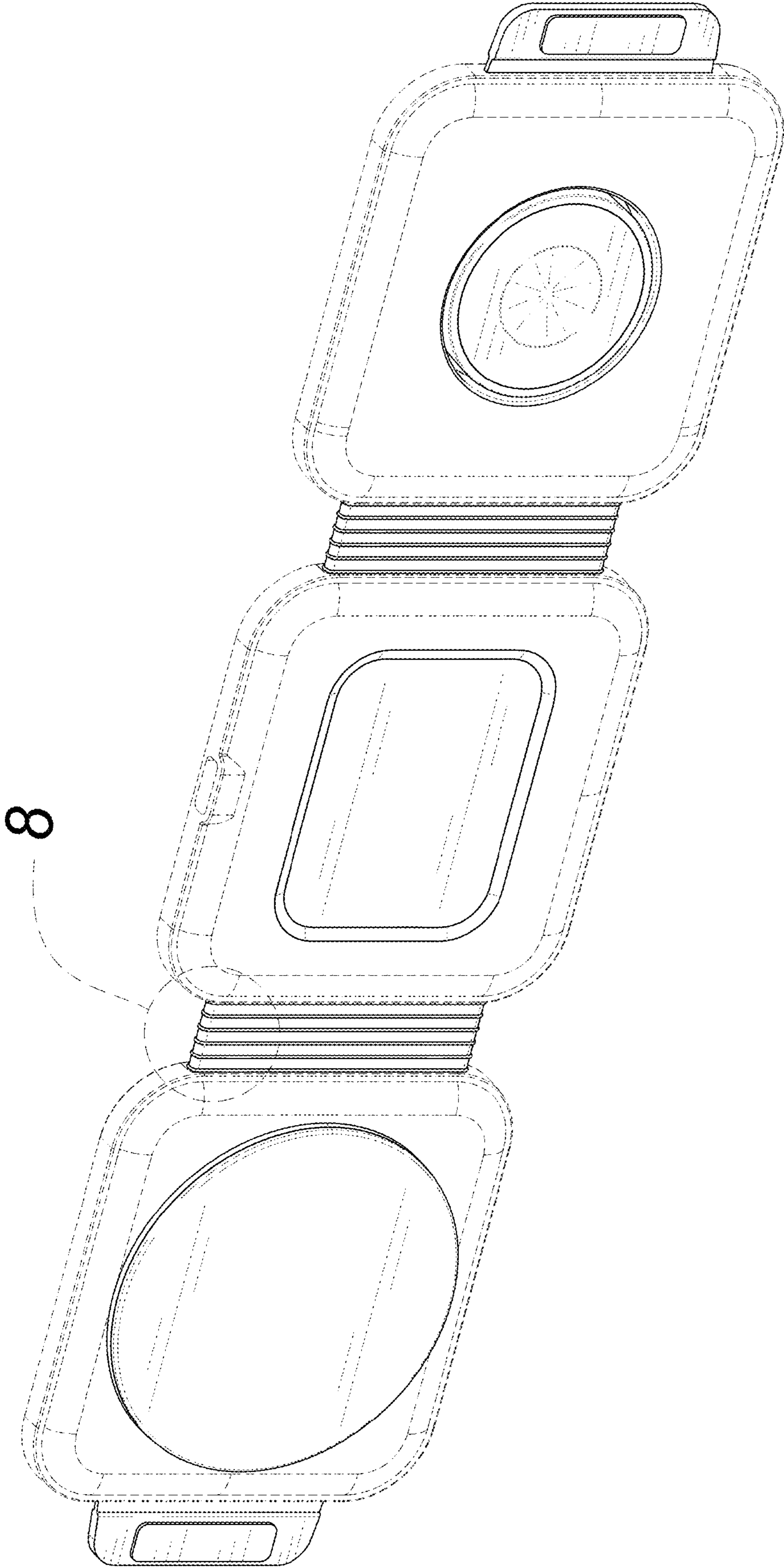


FIG. 1

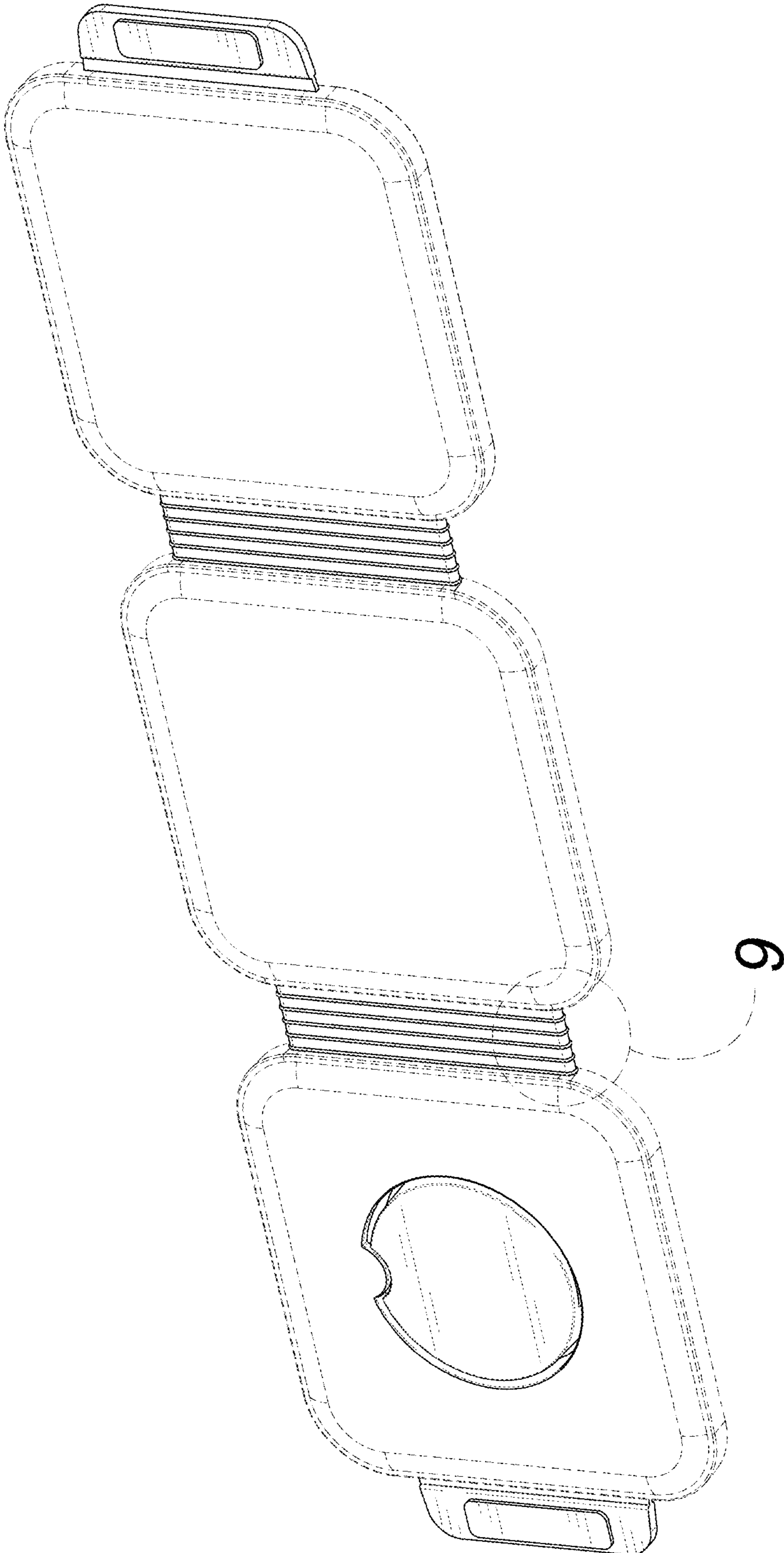


FIG. 2

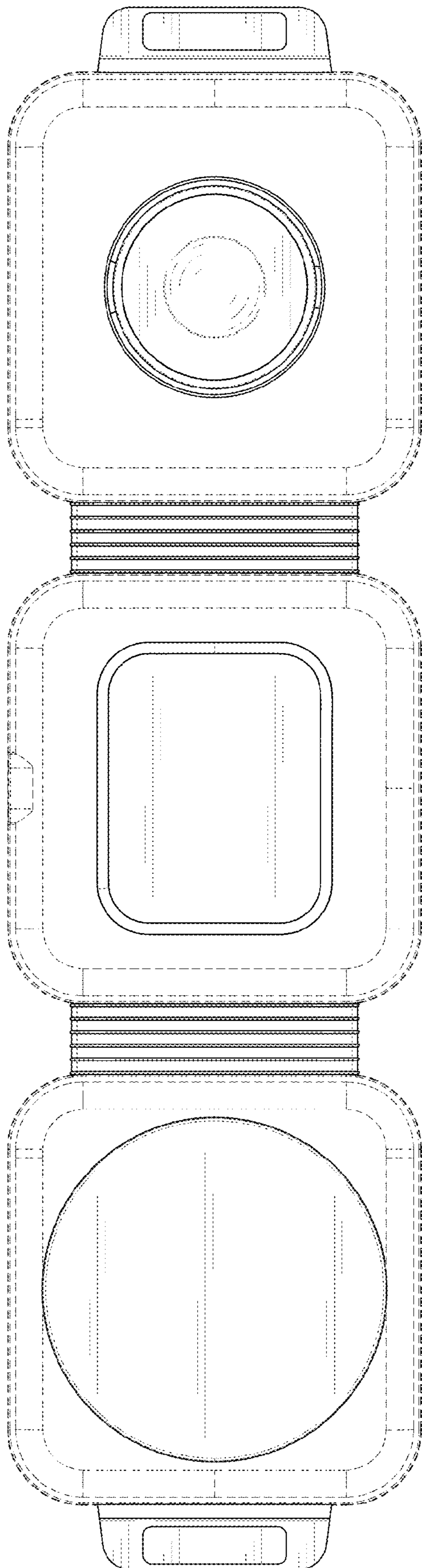


FIG. 3

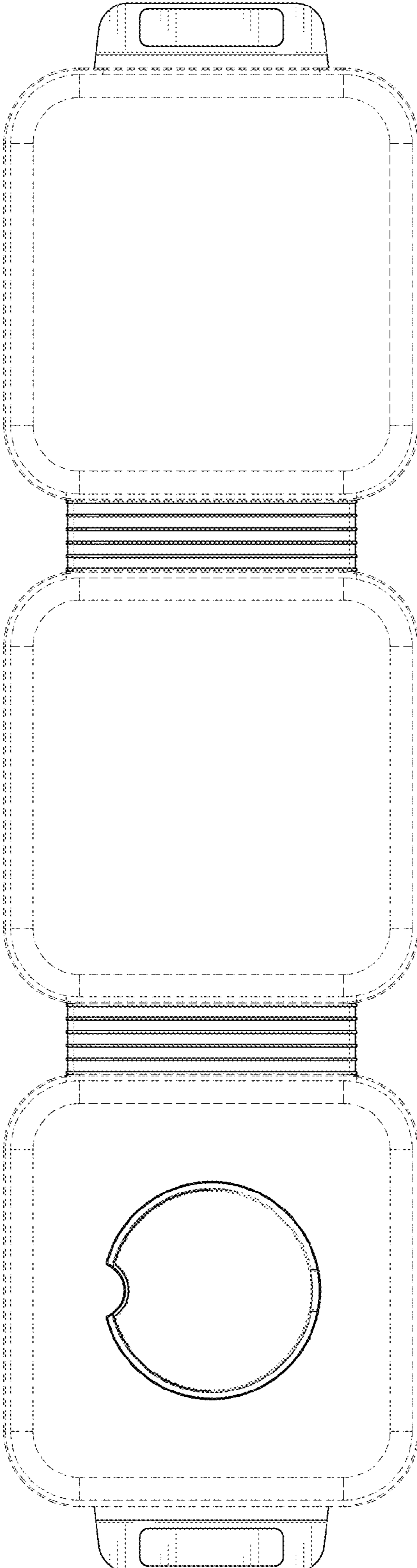


FIG. 4

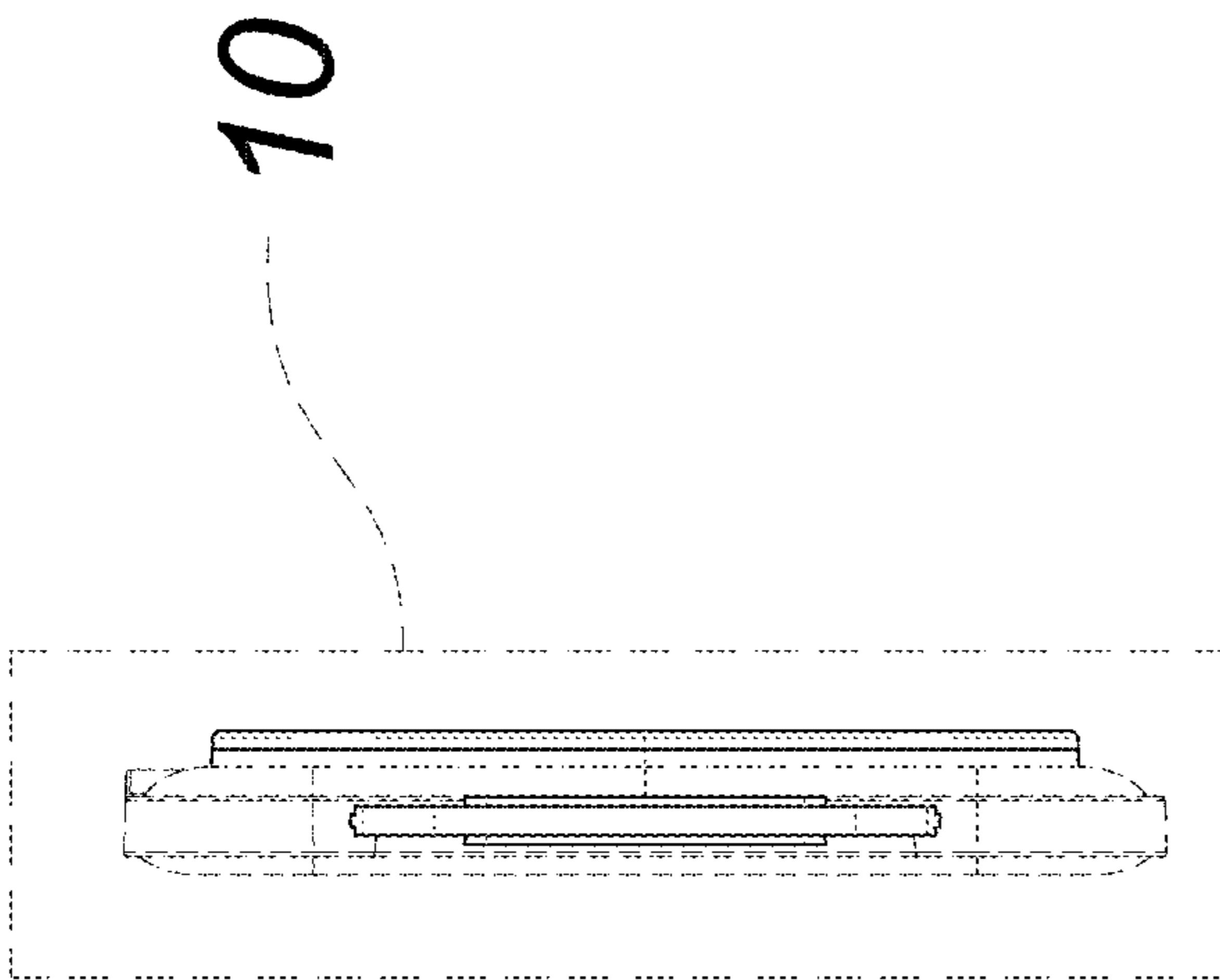


FIG. 5

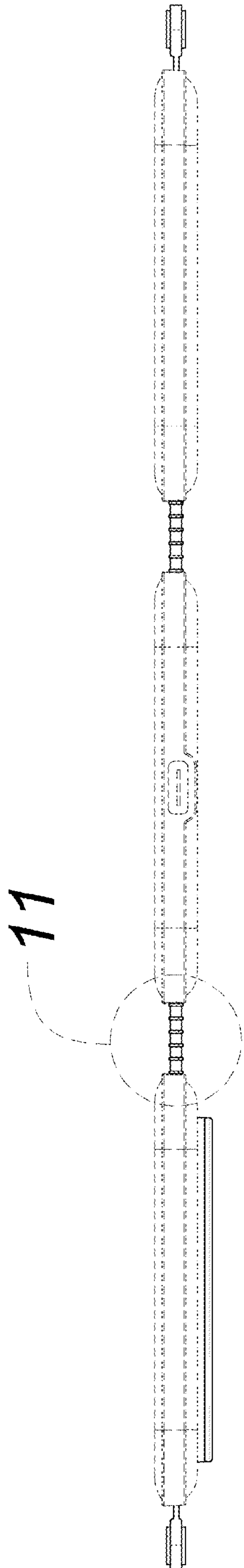


FIG. 6

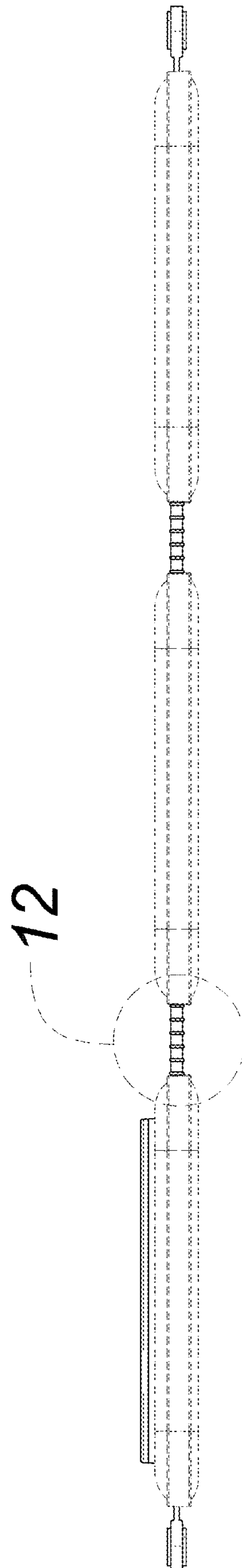


FIG. 7

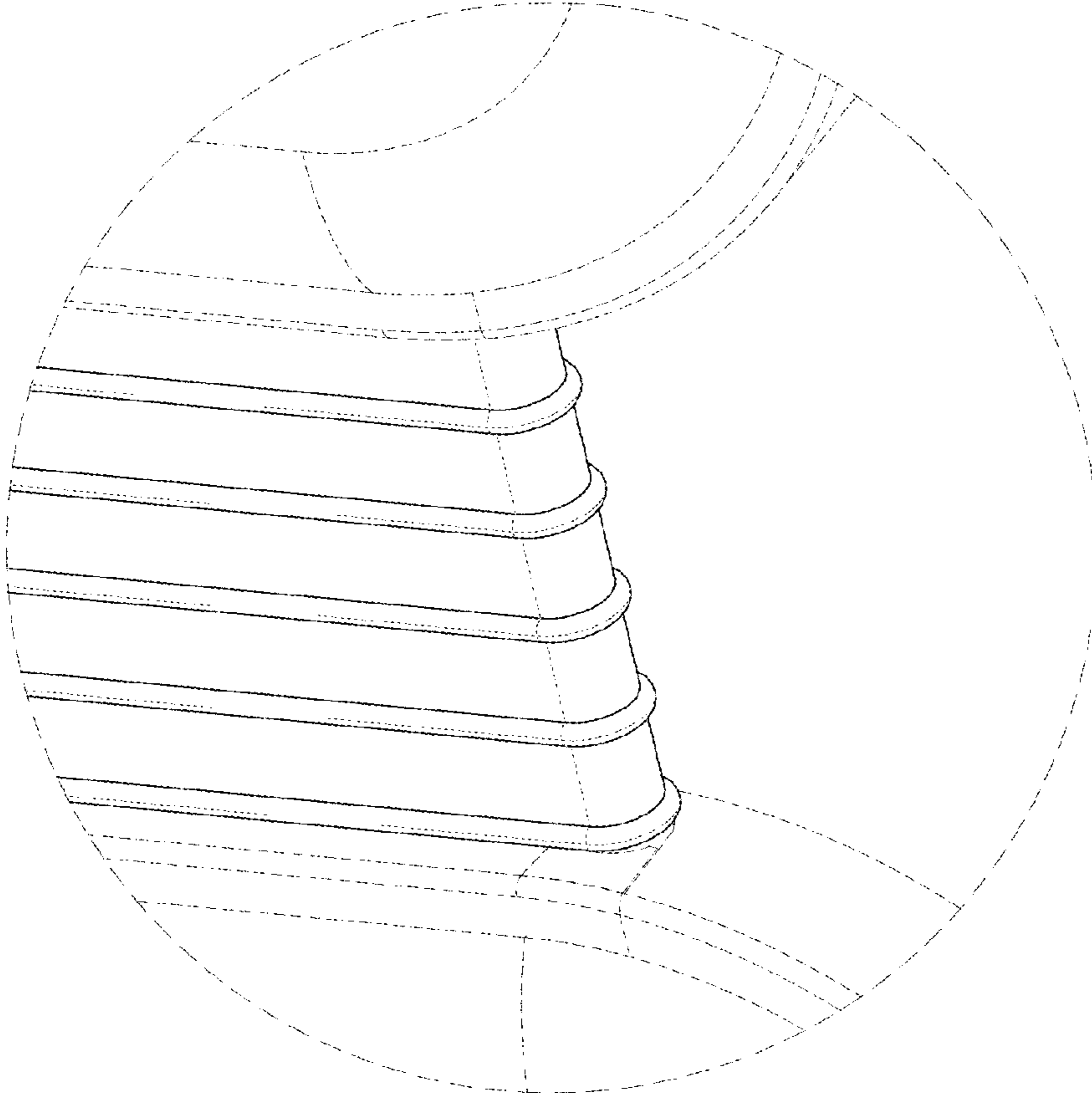


FIG. 9

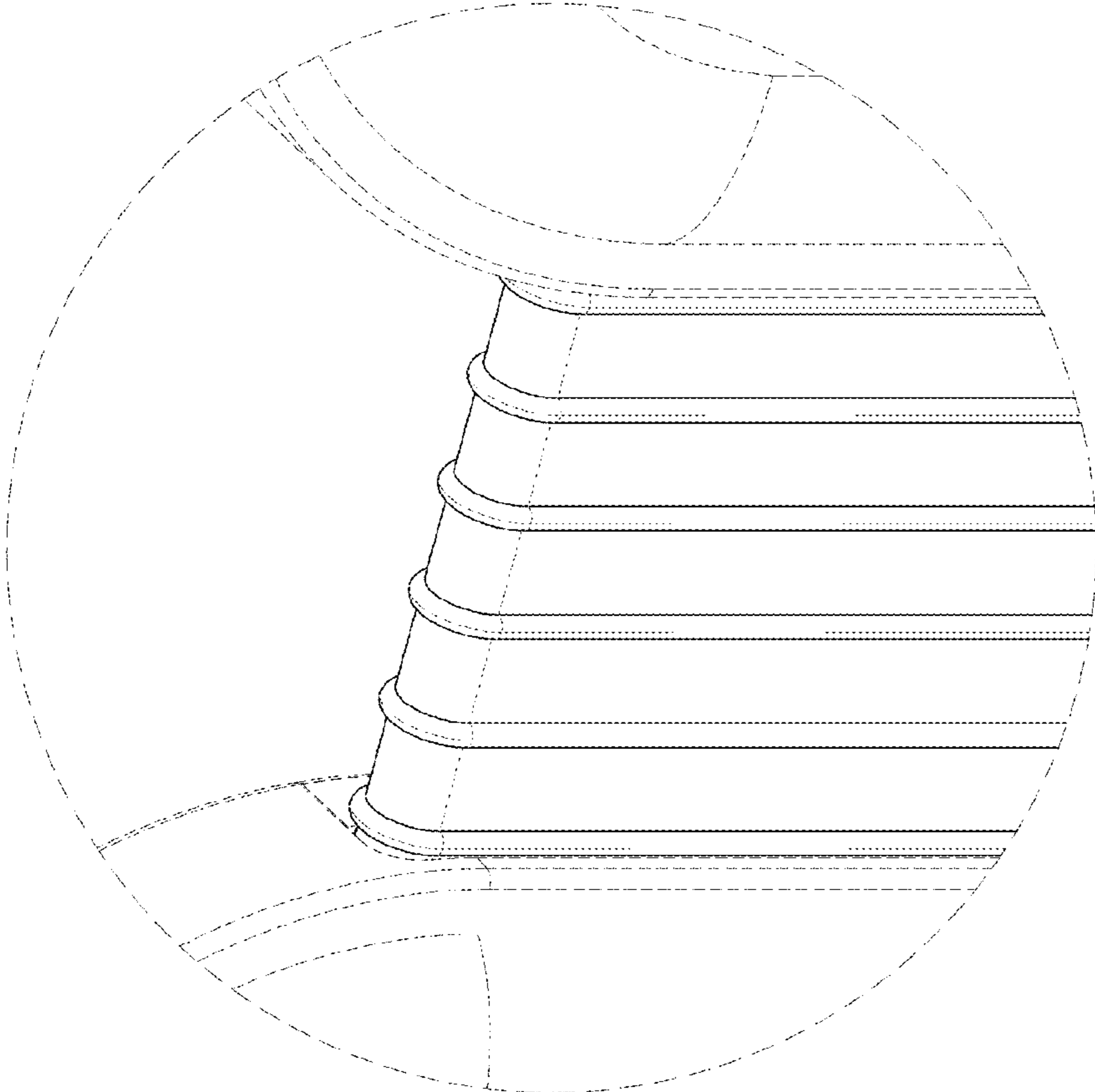


FIG. 8

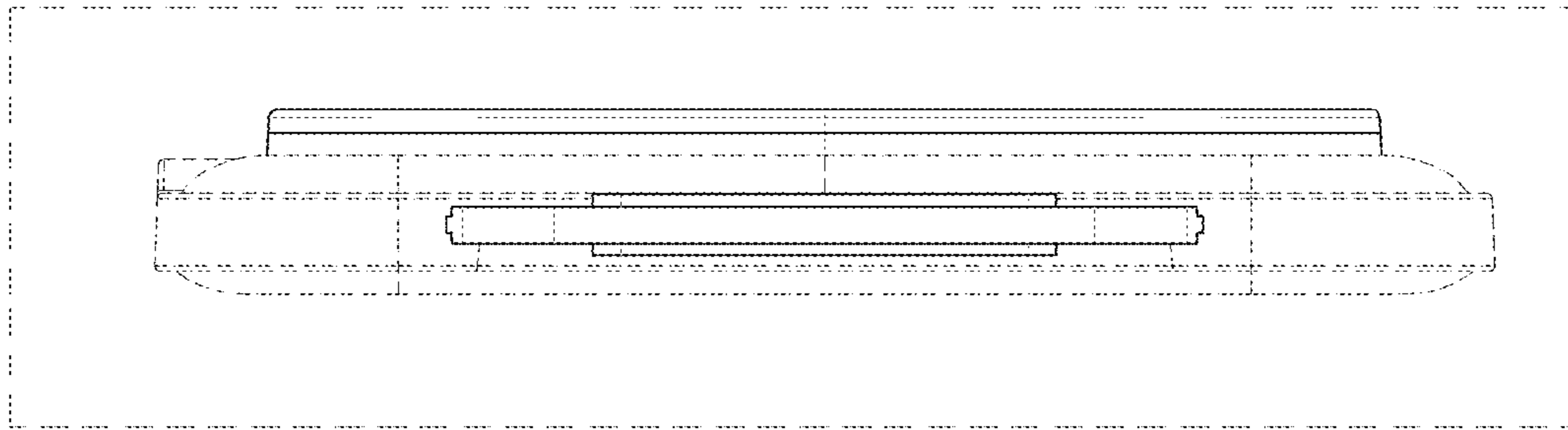


FIG. 10

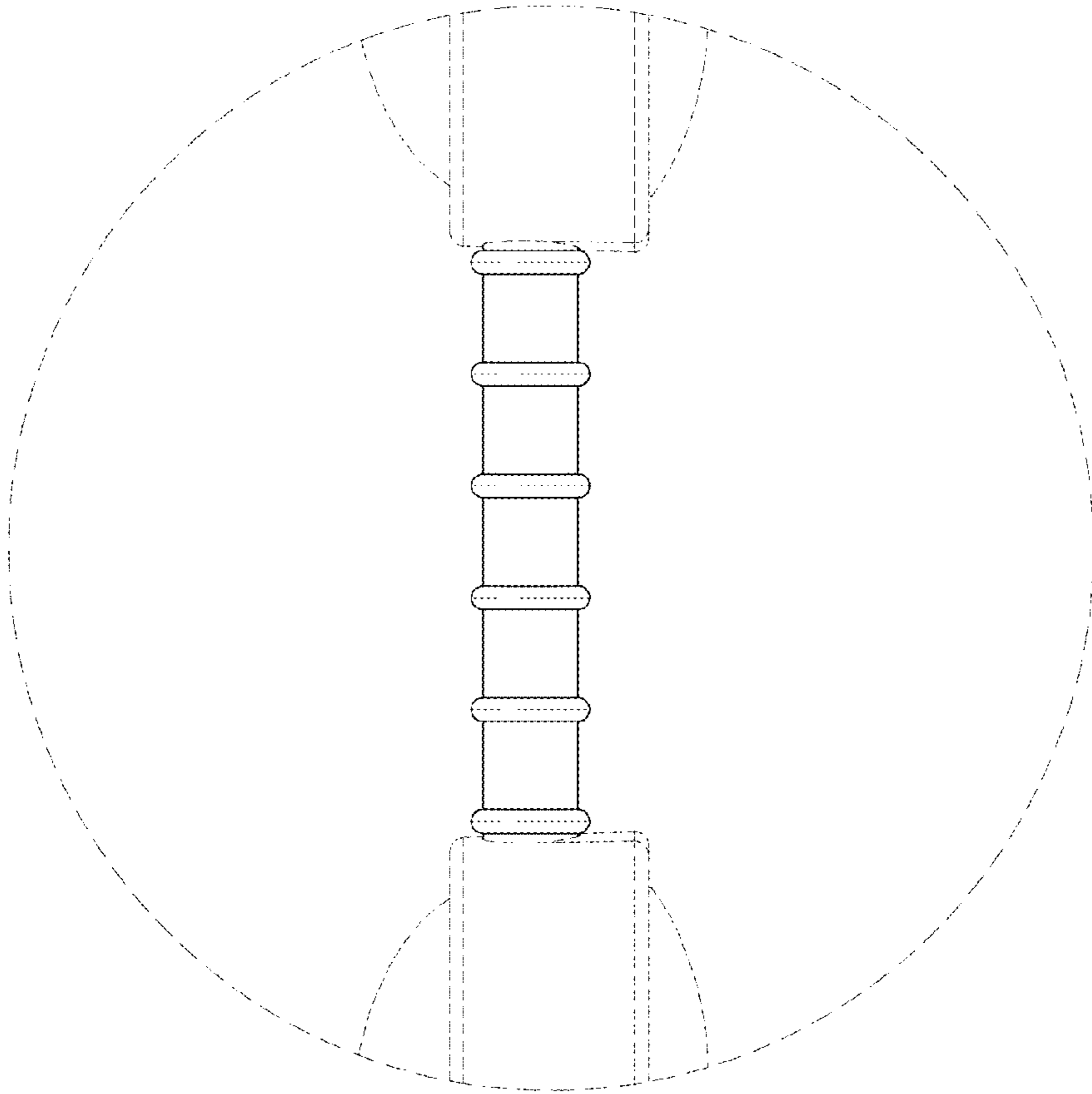


FIG. 11

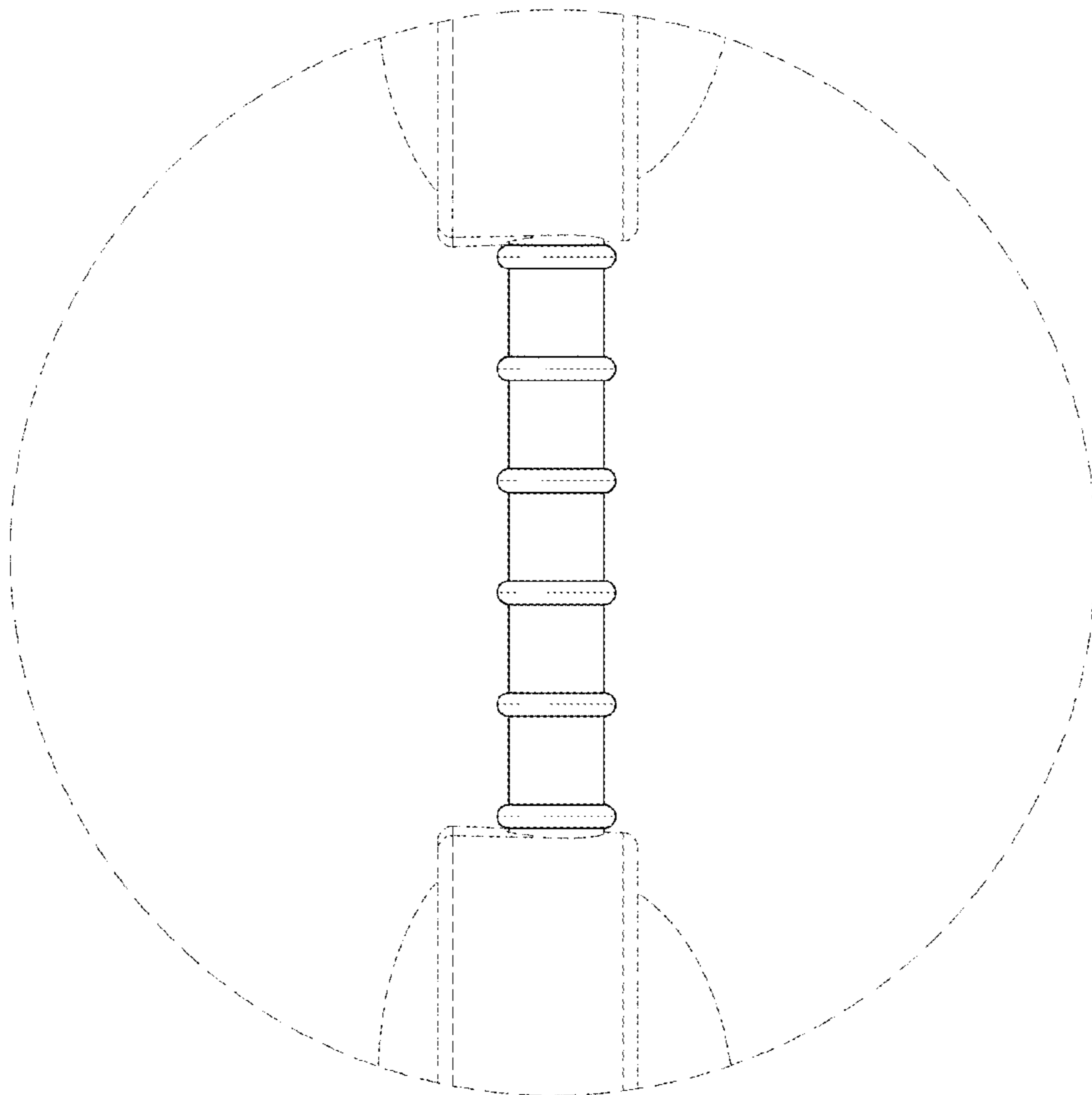


FIG. 12

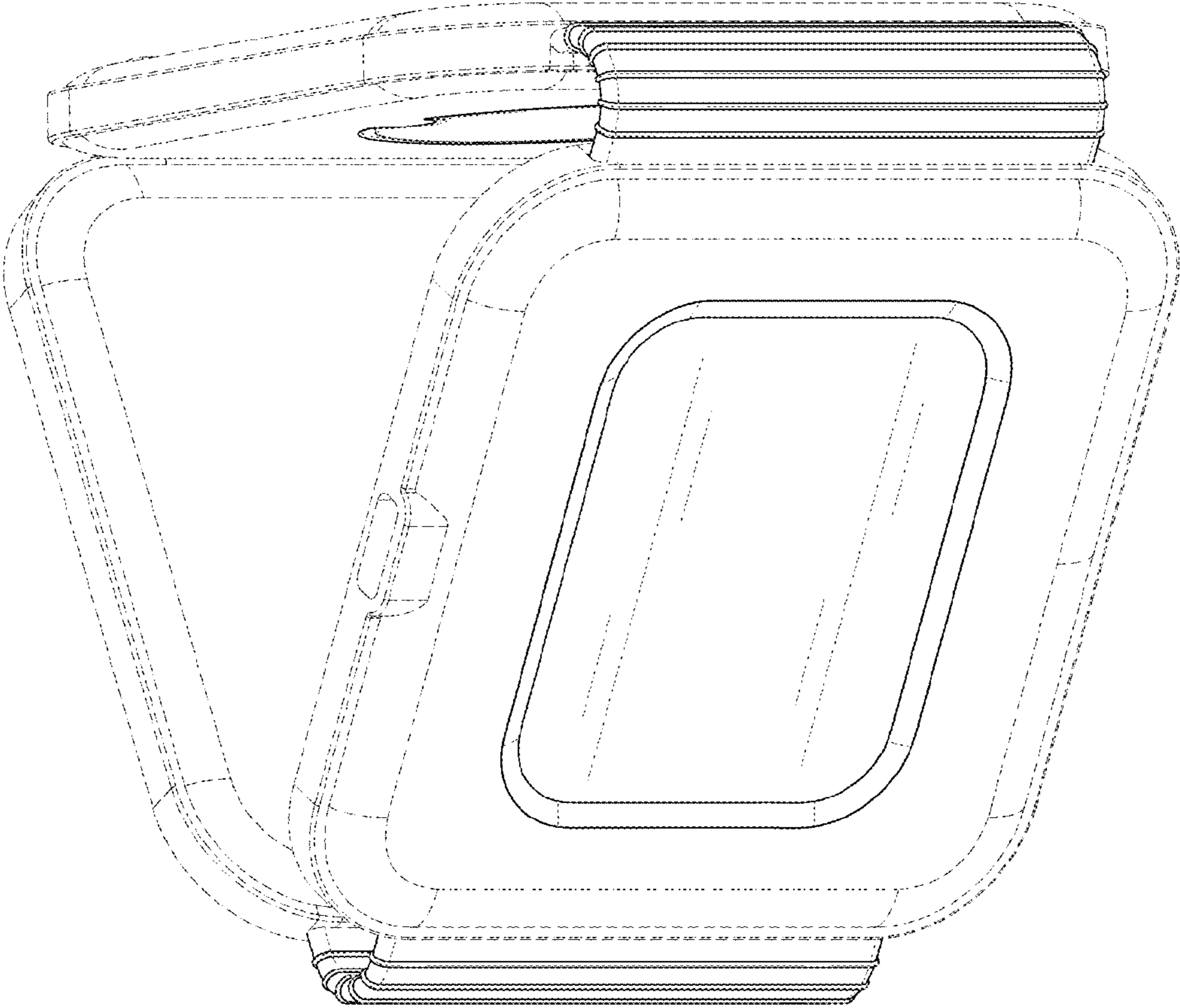


FIG. 13

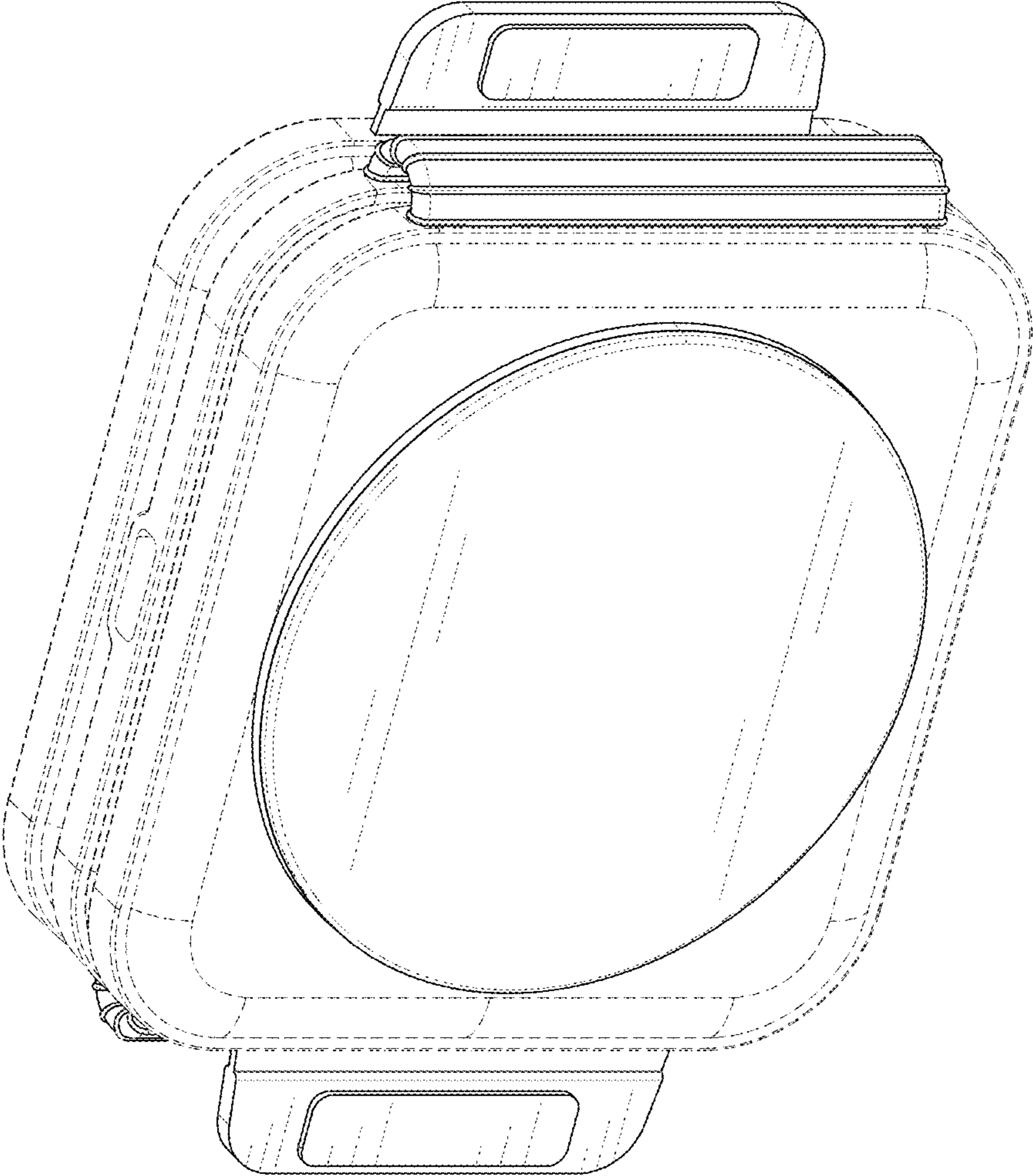


FIG. 14