



US00D980157S

(12) **United States Design Patent**
Reygrobellet et al.

(10) **Patent No.:** **US D980,157 S**
(45) **Date of Patent:** **** Mar. 7, 2023**

- (54) **TIRE**
- (71) Applicant: **The Goodyear Tire & Rubber Company, Akron, OH (US)**
- (72) Inventors: **Franck Reygrobellet, Howald (LU); Georges Gaston Feider, Bettborn (LU); Anne-France Gabrielle Jeanne-Marie Cambron, Mersch (LU); Matthieu Pingonat, Hayange (FR); Pierre Vincent Veronique Ghislain Philipin, Habay-la-Vieille (BE); Roland Willibrord Krier, Wasserbillig (LU)**

D390,510 S	2/1998	Stone et al.	D12/143
D397,647 S	9/1998	Young	D12/146
D414,446 S	9/1999	Kemp, Jr.	D12/141
D414,725 S	10/1999	Kemp, Jr.	D12/143
D424,986 S	5/2000	Yoshioka	D12/147

(Continued)

Primary Examiner — John A Voytek
(74) *Attorney, Agent, or Firm* — June E. Rickey; Robert N. Lipsik

- (73) Assignee: **The Goodyear Tire & Rubber Company, Akron, OH (US)**

(**) Term: **15 Years**

(21) Appl. No.: **29/772,039**

(22) Filed: **Feb. 26, 2021**

(51) **LOC (14) Cl.** **12-15**

(52) **U.S. Cl.**
USPC **D12/588**

(58) **Field of Classification Search**
USPC D12/568-605, 900
CPC Y10T 152/10027; B60C 1/0016; B60C 11/0306; B60C 11/0302; B60C 3/06; B60C 9/17

See application file for complete search history.

(56) **References Cited**

U.S. PATENT DOCUMENTS

D370,439 S	6/1996	Feider et al.	D12/141
D371,756 S *	7/1996	Kishi	D12/588
D383,713 S	9/1997	Grosskopf	D12/146
D385,235 S	10/1997	Young	D12/141
D388,370 S	12/1997	Young et al.	D12/146

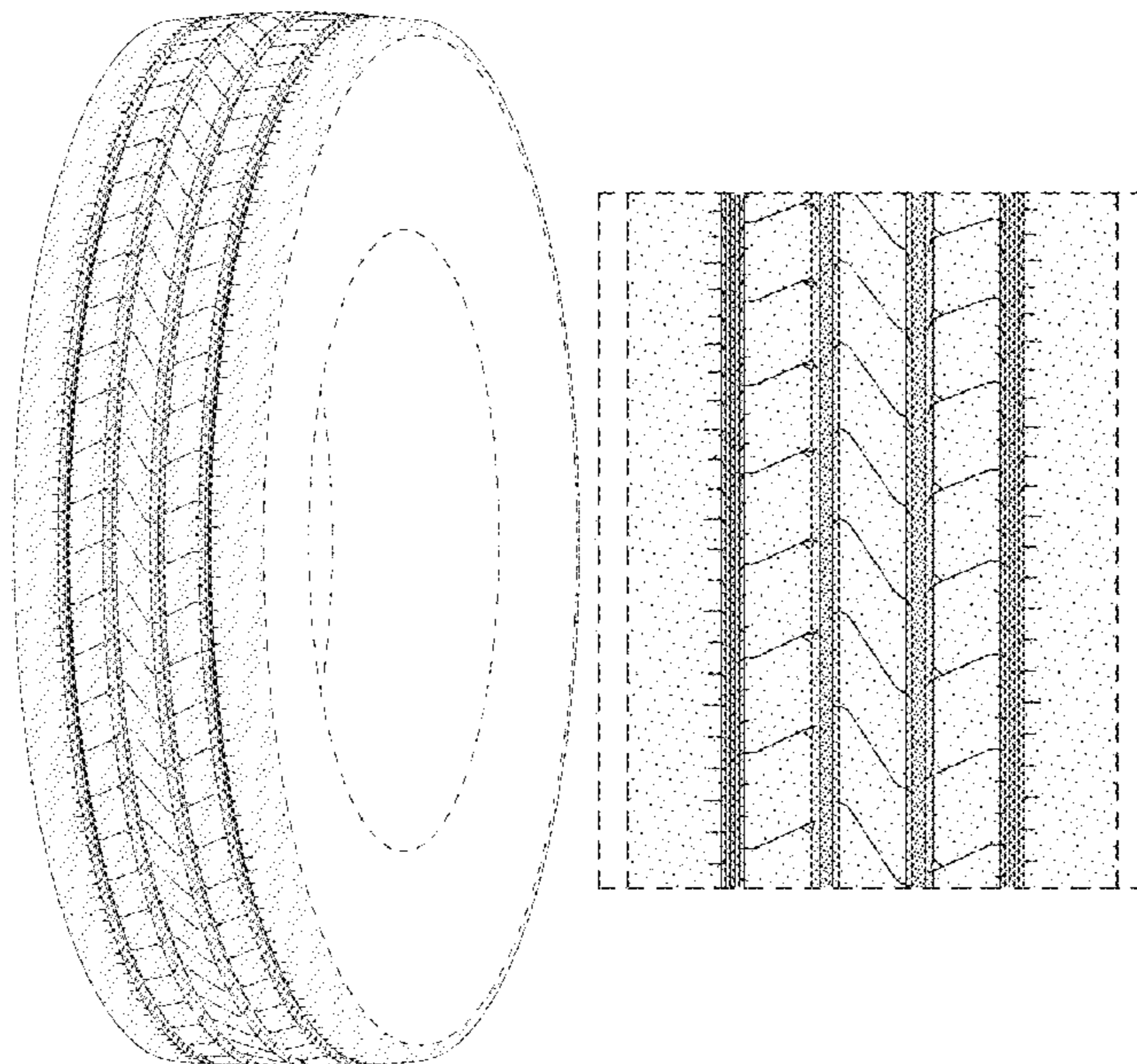
(57) **CLAIM**
The ornamental Design for a tire, as shown and described.

DESCRIPTION

FIG. 1 is a perspective view of a tire showing our new design, it being understood that the pattern repeats uniformly throughout the circumference of the tread;
FIG. 2 is a front elevational view thereof;
FIG. 3 is a right side elevational view thereof; the left side elevational view being identical thereto;
FIG. 4 is an enlarged fragmentary front elevational view thereof taken along line 4-4 of FIG. 2;
FIG. 5 is a perspective view of a second embodiment of a tire showing our new design, it being understood that the interior of the tire forms no part of the claim, that the pattern repeats uniformly throughout the circumference of the tread and that the opposite side view is identical thereto; and,
FIG. 6 is a front elevational view of a second embodiment, it being understood that an enlarged fragmentary view thereof would be substantially identical to that shown in FIG. 4, with the exception of the inclusion of the sidewall in the claim.

In the drawings, the broken lines immediately adjacent to the outer edges of the tire shoulder represent boundaries of the claim, and the broken lines depict environmental subject matter only and form no part of the claimed design. The dashed broken lines indicating an enlargement portion of the design form no part of the claimed design.

1 Claim, 6 Drawing Sheets



(56)

References Cited

U.S. PATENT DOCUMENTS

D451,438 S	12/2001	Galante et al.	D12/146	D758,293 S	6/2016	Kitajima	D12/588
D451,860 S	12/2001	Schuster et al.	D12/147	D761,194 S *	7/2016	Dixon	D12/600
D472,204 S	3/2003	Kemp, Jr. et al.	D12/588	D764,397 S	8/2016	Dixon et al.	D12/601
D489,036 S	4/2004	Irimiya	D12/553	D765,023 S	8/2016	Parr et al.	D12/601
D506,722 S	6/2005	Nonaka	D12/553	D779,420 S	2/2017	Krier et al.	D12/601
D533,356 S	12/2006	Van Latingham, Jr. ..	D12/147	D787,434 S	5/2017	Oji	D12/595
D555,081 S	11/2007	Feider et al.	D12/588	D788,693 S	6/2017	Westaway	D12/600
D592,589 S	5/2009	Dixon et al.	D12/600	D789,277 S	6/2017	Dixon et al.	D12/518
D604,230 S	11/2009	Brown et al.	D12/588	D789,284 S	6/2017	Krier et al.	D12/588
D605,108 S	12/2009	Brown et al.	D12/588	D815,021 S	4/2018	Oji	D12/588
D609,169 S	2/2010	Feider	D12/588	D818,940 S	5/2018	Parr	D12/604
D609,170 S	2/2010	Feider et al.	D12/588	D818,941 S	5/2018	Parr et al.	D12/604
D609,175 S	2/2010	Feider et al.	D12/600	D828,290 S	9/2018	Reygrobellet et al.	D12/588
D610,077 S	2/2010	Tobino	D12/601	D842,231 S *	3/2019	Becker	D12/588
D610,529 S	2/2010	Tobino et al.	D12/601	D843,313 S	3/2019	Cai	D12/590
D615,922 S	5/2010	Takano	D12/588	D845,225 S	4/2019	Kochanek	D12/600
D617,262 S	6/2010	Tobino	D12/601	D845,880 S	4/2019	Jones et al.	D12/553
D635,915 S	4/2011	Hamada	D12/588	D850,360 S	6/2019	Davenport	D12/600
D647,040 S	10/2011	Mathonet et al.	D12/588	D856,269 S	8/2019	Hong et al.	D12/588
D656,891 S	4/2012	Yokomakura	D12/588	D856,270 S *	8/2019	Chu	D12/588
D674,740 S	1/2013	Mathonet et al.	D12/588	D866,452 S	11/2019	Jones et al.	D12/553
D674,741 S	1/2013	Mathonet et al.	D12/588	D868,680 S	12/2019	Becker et al.	D12/588
D675,560 S	2/2013	Kato	D12/590	D870,027 S *	12/2019	Wang	D12/594
D686,973 S	7/2013	Otani	D12/588	D871,317 S *	12/2019	Wang	D12/588
D719,907 S	12/2014	Ohara	D12/588	D875,655 S	2/2020	Wang et al.	D12/588
D730,273 S	5/2015	Schimmoeller	D12/601	D880,413 S	4/2020	Schultz et al.	D12/604
D732,465 S	6/2015	Yamada	D12/588	D900,722 S *	11/2020	Chu	D12/588
D738,294 S	9/2015	Koog	D12/584	D908,602 S *	1/2021	Bortolet	D12/588
D738,813 S	9/2015	Wang	D12/584	D927,410 S *	8/2021	Guilford	D12/590
D742,810 S	11/2015	Tian	D12/589	D940,641 S *	1/2022	Guilford	D12/588
D743,327 S	11/2015	Schimmoeller	D12/588	D947,109 S *	3/2022	Meier	D12/588
D746,222 S	12/2015	Hutz et al.	D12/588	11,304,932 B2 *	4/2022	Friedhoff	A61K 31/4045
D755,116 S	5/2016	Wang et al.	D12/588	D951,854 S *	5/2022	Meier	D12/588
				D954,635 S *	6/2022	Pribula	D12/588
				D956,676 S *	7/2022	Wang	D12/588

* cited by examiner

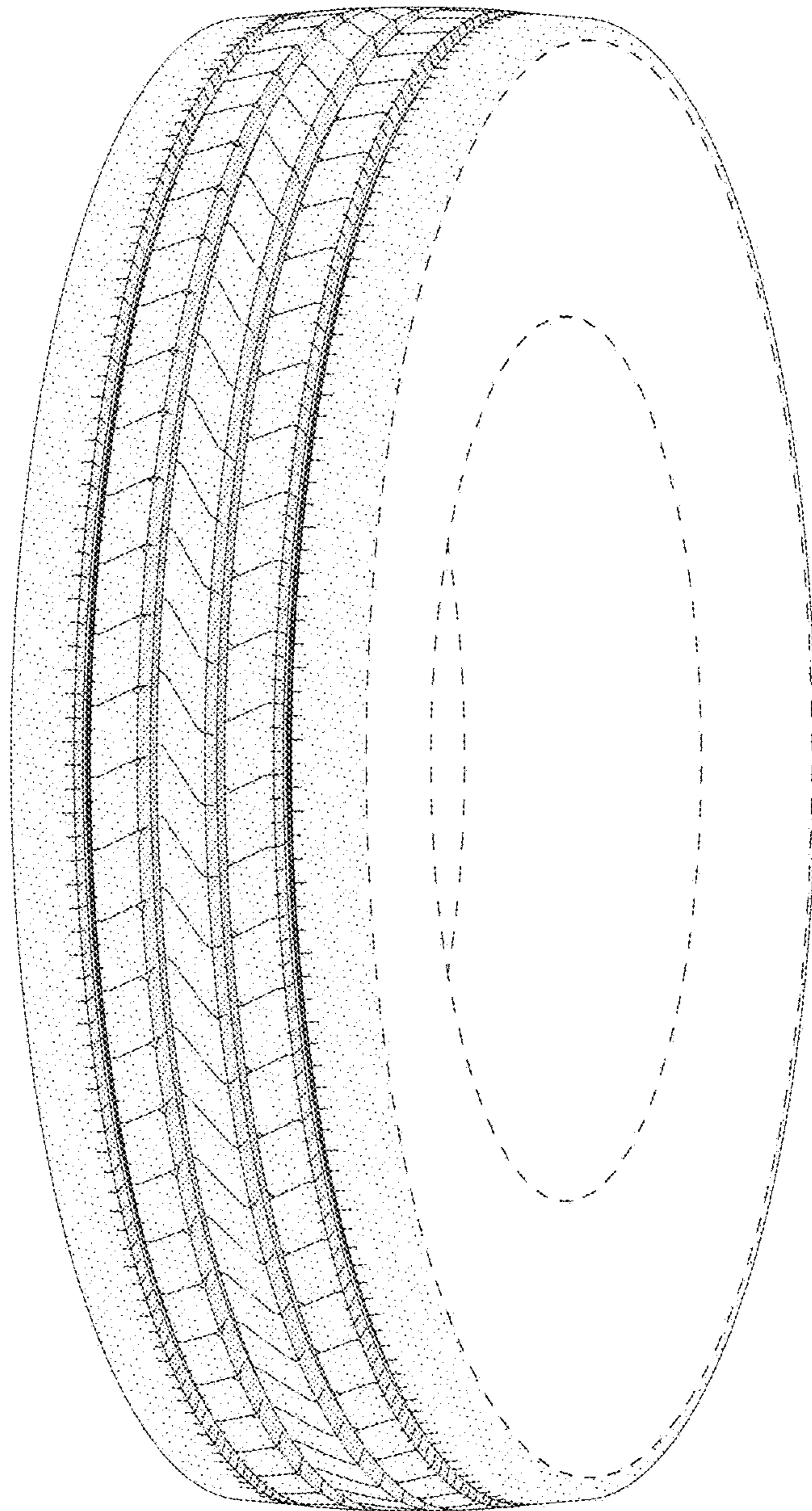


FIG - 1

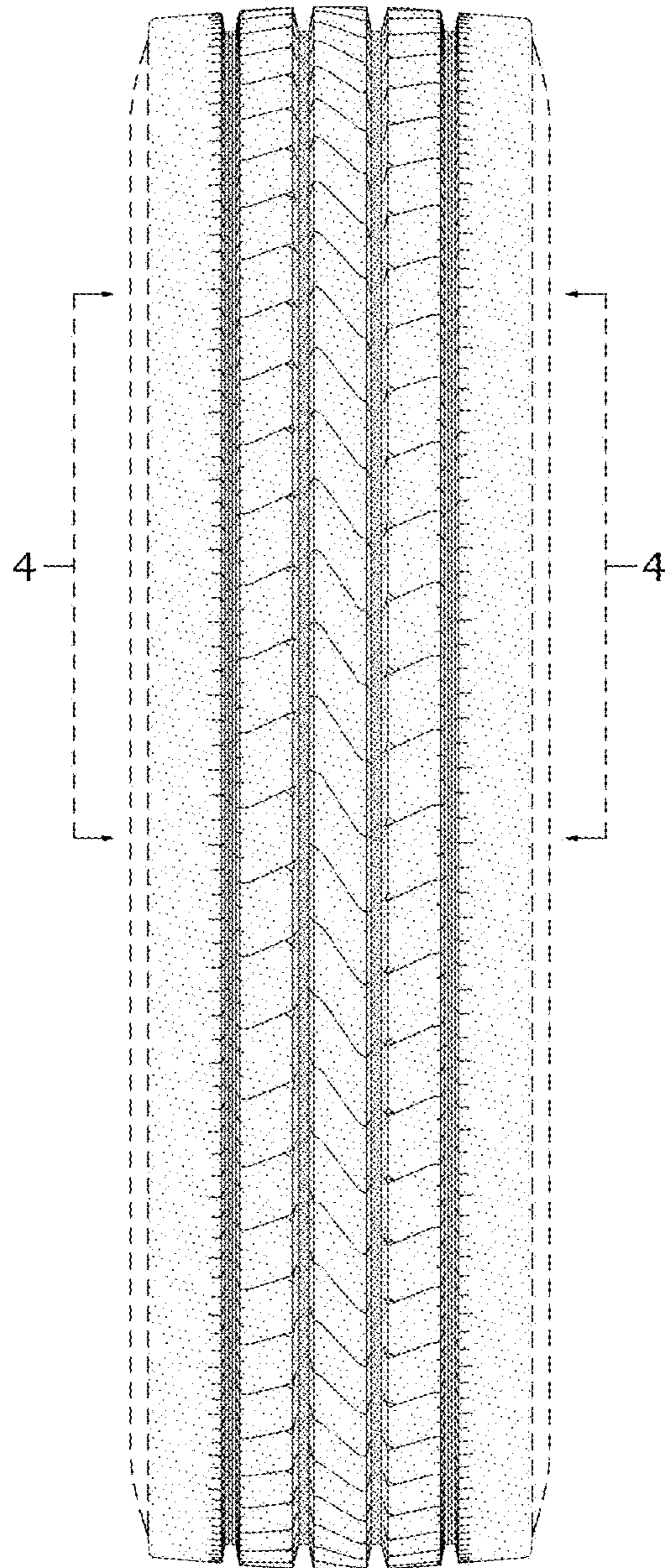


FIG - 2

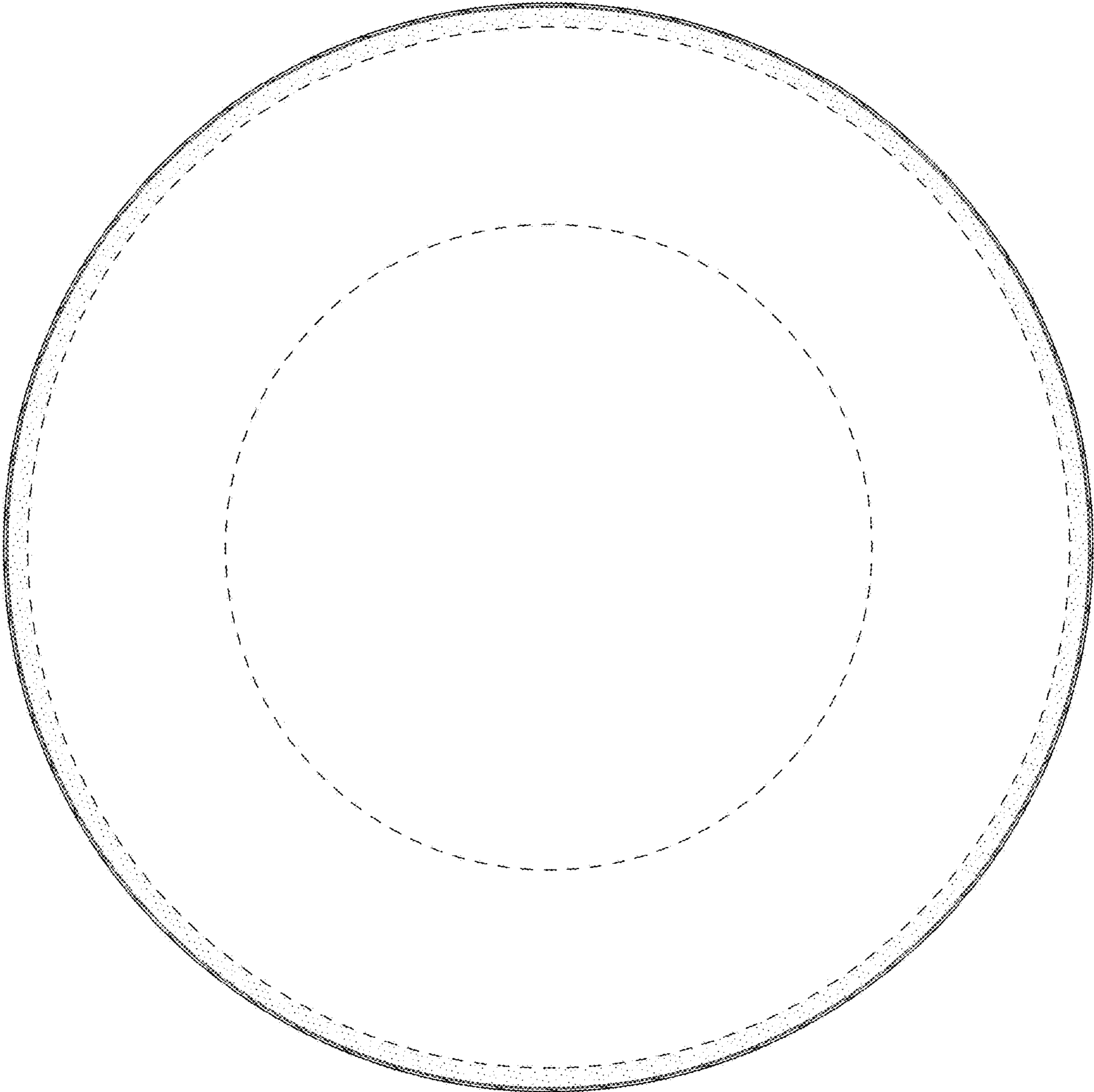


FIG - 3

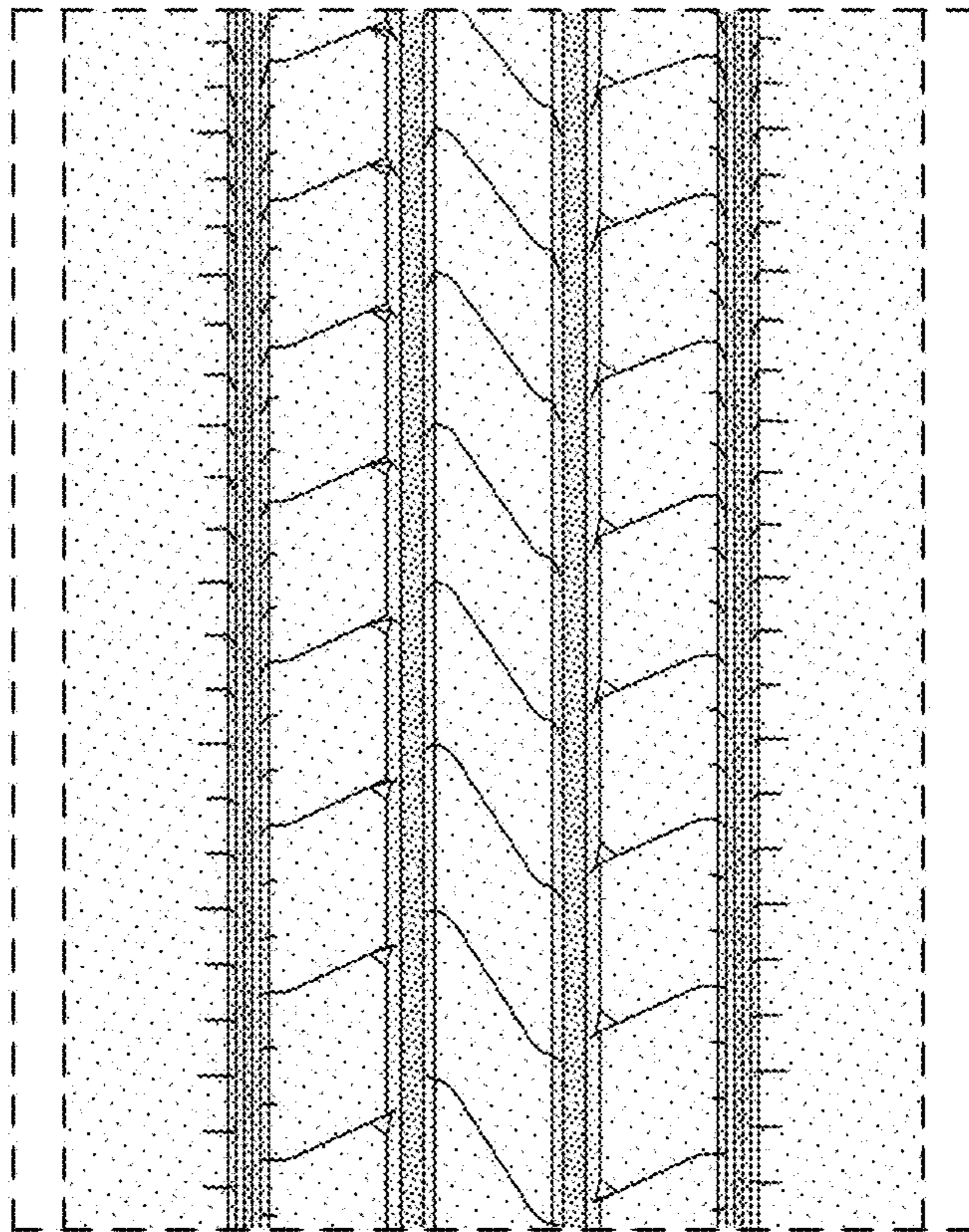


FIG - 4

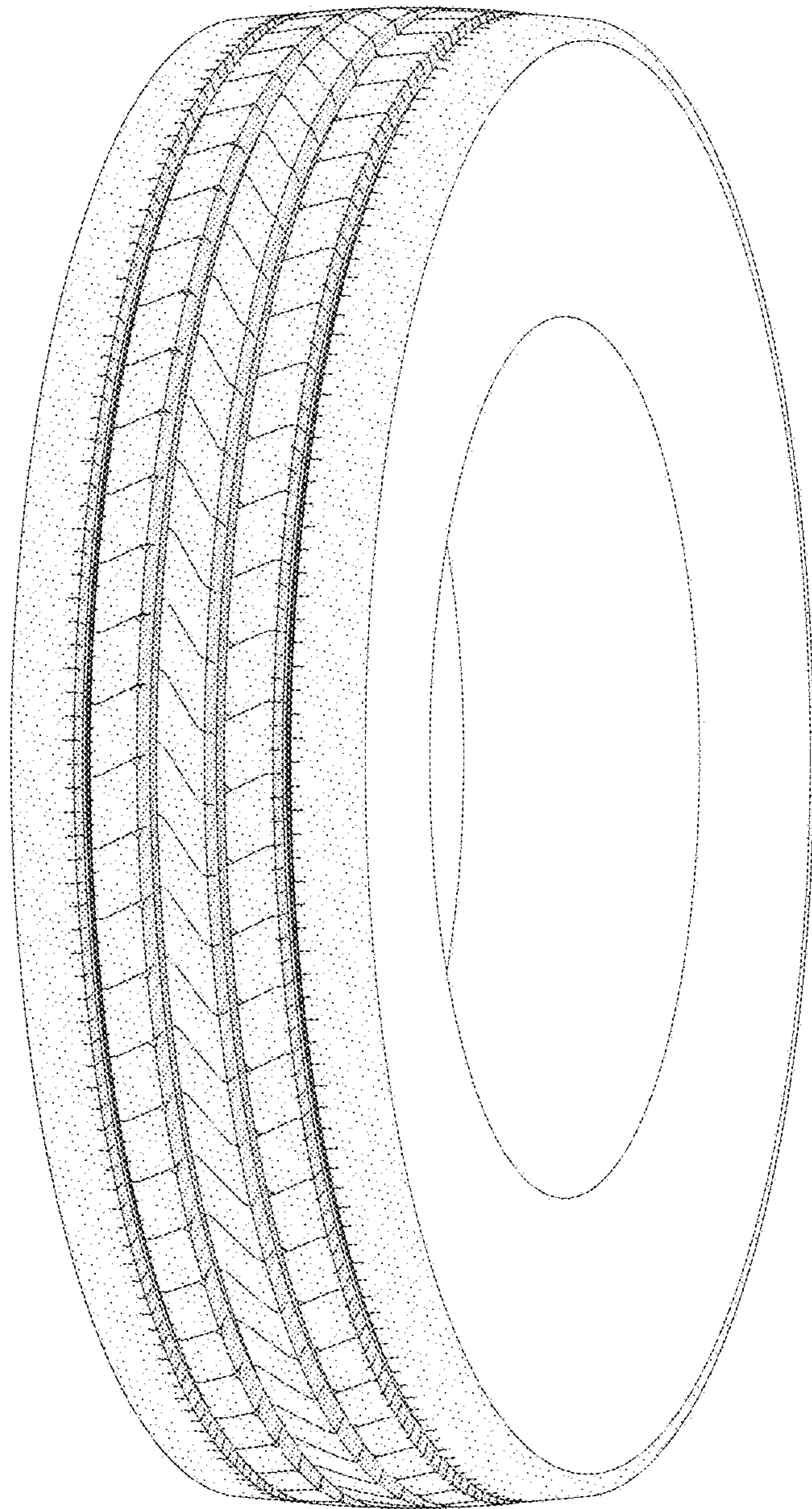


FIG - 5

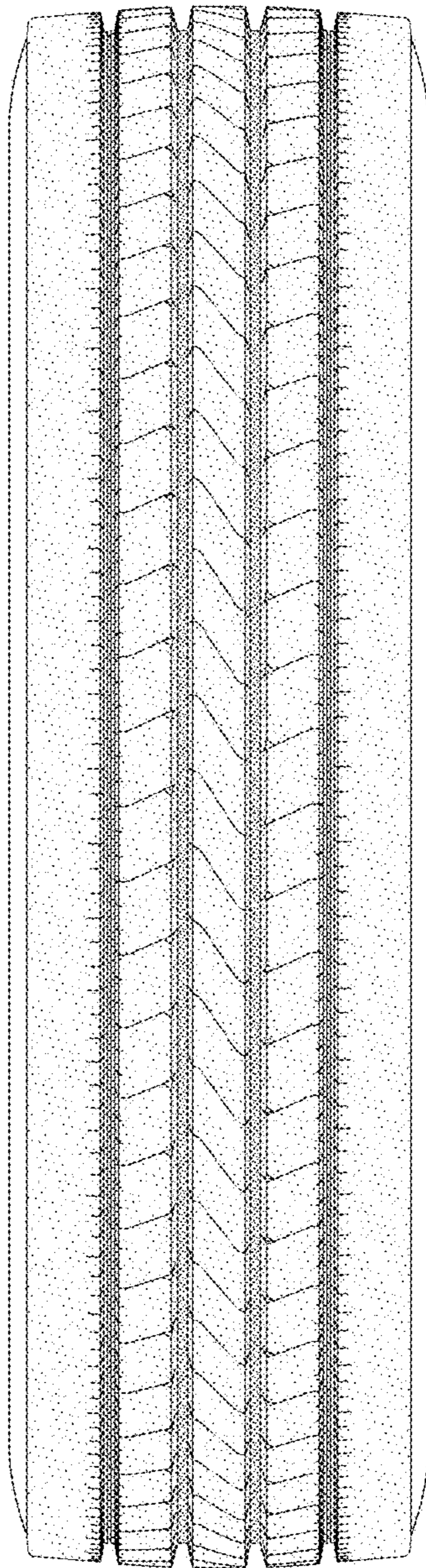


FIG - 6