



US00D980155S

(12) **United States Design Patent**  
**Willis et al.**

(10) **Patent No.:** **US D980,155 S**  
(45) **Date of Patent:** **\*\* Mar. 7, 2023**

(54) **REMOVABLE AND EXTENDABLE MOTOR VEHICLE CUP HOLDER**

(71) Applicants: **David John Willis**, Fort Lauderdale, FL (US); **Rita J. Willis**, Fort Lauderdale, FL (US)

(72) Inventors: **David John Willis**, Fort Lauderdale, FL (US); **Rita J. Willis**, Fort Lauderdale, FL (US)

(\*\*) Term: **15 Years**

(21) Appl. No.: **29/813,979**

(22) Filed: **Nov. 2, 2021**

**Related U.S. Application Data**

(63) Continuation-in-part of application No. 17/409,994, filed on Aug. 24, 2021, now abandoned, which is a (Continued)

(51) **LOC (14) Cl.** ..... **12-16**

(52) **U.S. Cl.**  
USPC ..... **D12/419**

(58) **Field of Classification Search**  
USPC ..... D12/415, 419; D7/620  
(Continued)

(56) **References Cited**

**U.S. PATENT DOCUMENTS**

D906,229 S \* 12/2020 Han ..... D12/419  
D913,201 S \* 3/2021 Jia ..... D12/419

(Continued)

*Primary Examiner* — Katrina A Betton

(74) *Attorney, Agent, or Firm* — Daniel S. Polley, P.A.

(57) **CLAIM**

The ornamental design for a removable and extendable motor vehicle cup holder, as shown and described.

**DESCRIPTION**

FIG. 1 is a top perspective view for a first embodiment of the removable and extendable motor vehicle cup holder, shown in a retracted position, showing the new design;

FIG. 2 is a bottom perspective view thereof;  
FIG. 3 is a top view thereof;  
FIG. 4 is a bottom view thereof;  
FIG. 5 is a left side view thereof;  
FIG. 6 is a right side view thereof;  
FIG. 7 is a front view thereof;  
FIG. 8 is a back view thereof;  
FIG. 9 is a top perspective view for the first embodiment of the removable and extendable motor vehicle cup holder, shown in an extended position, showing the new design;  
FIG. 10 is a bottom perspective view thereof;  
FIG. 11 is a top view thereof;  
FIG. 12 is a bottom view thereof;  
FIG. 13 is a left side view thereof;  
FIG. 14 is a right side view thereof;  
FIG. 15 is a front view thereof;  
FIG. 16 is a back view thereof;  
FIG. 17 is a perspective view of the first embodiment removable and extendable motor vehicle cup holder shown disposed in a center console for a motor vehicle in a non-limiting position;  
FIG. 18 is a top perspective view for a second embodiment of the removable and extendable motor vehicle cup holder, shown in a retracted position, showing the new design;  
FIG. 19 is a bottom perspective view thereof;  
FIG. 20 is a top view thereof;  
FIG. 21 is a bottom view thereof;  
FIG. 22 is a left side view thereof;  
FIG. 23 is a right side view thereof;  
FIG. 24 is a front view thereof;  
FIG. 25 is a back view thereof;  
FIG. 26 is a top perspective view for the second embodiment of the removable and extendable motor vehicle cup holder, shown in an extended position, showing the new design;  
FIG. 27 is a bottom perspective view thereof;  
FIG. 28 is a top view thereof;  
FIG. 29 is a bottom view thereof;  
FIG. 30 is a left side view thereof;  
FIG. 31 is a right side view thereof;  
FIG. 32 is a front view thereof;  
FIG. 33 is a back view thereof; and,

(Continued)

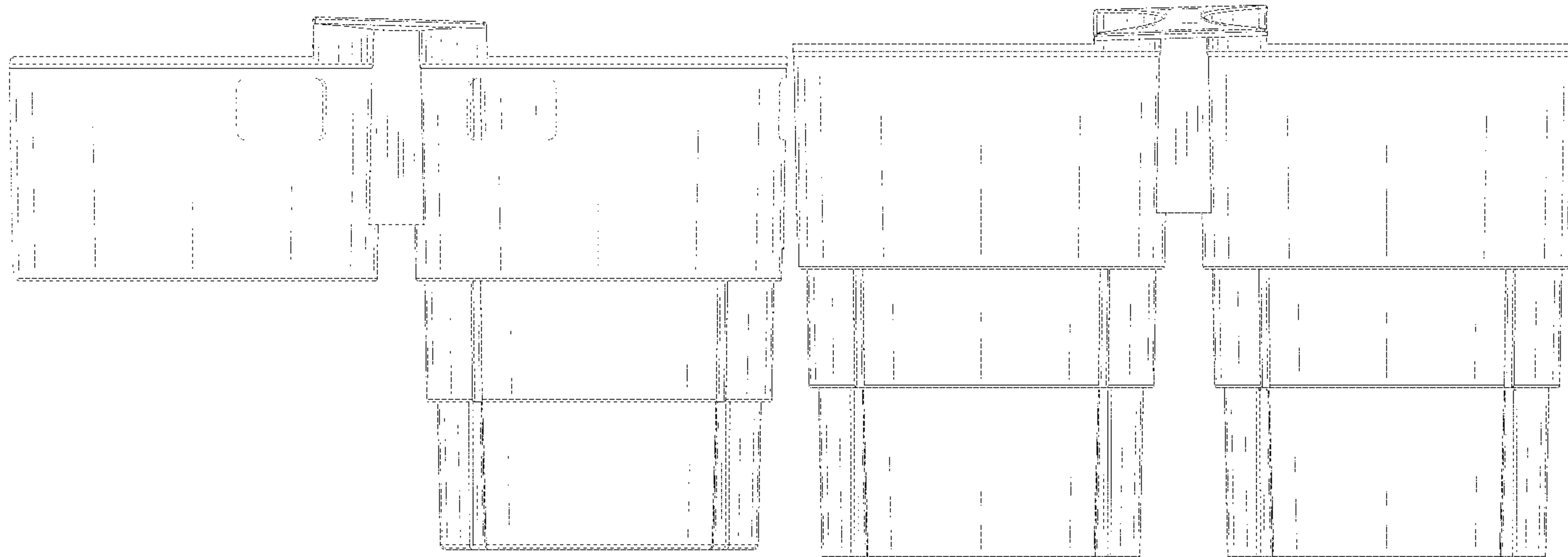


FIG. 34 is a perspective view of the second embodiment removable and extendable motor vehicle cup holder shown disposed in a center console for a motor vehicle in a non-limiting position.

In the figures, features shown by broken lines are for illustrative purposes only and form no part of the claimed design.

The broken lines in FIGS. 17 and 34 to environment form no part of the claimed design.

**1 Claim, 32 Drawing Sheets**

**Related U.S. Application Data**

continuation of application No. 17/346,834, filed on Jun. 14, 2021, now abandoned, which is a continuation of application No. 16/773,518, filed on Jan. 27, 2020, now abandoned.

(58) **Field of Classification Search**

CPC .. B60R 7/08; B60Q 3/225; B60Q 3/64; B60N 3/10

See application file for complete search history.

(56) **References Cited**

U.S. PATENT DOCUMENTS

D917,375	S	*	4/2021	Cavallo .....	B60N 3/105
					D12/419
D937,754	S	*	12/2021	Xu .....	D12/419
D938,342	S	*	12/2021	Yang .....	D12/419
D940,050	S	*	1/2022	Lai .....	D12/419
D940,635	S	*	1/2022	Yang .....	D12/419
D966,175	S	*	10/2022	Han .....	D12/419
D966,997	S	*	10/2022	Zhu .....	D12/419
D967,748	S	*	10/2022	Han .....	D12/419
D970,428	S	*	11/2022	Yang .....	D12/419
D970,972	S	*	11/2022	Wang .....	D12/419

\* cited by examiner

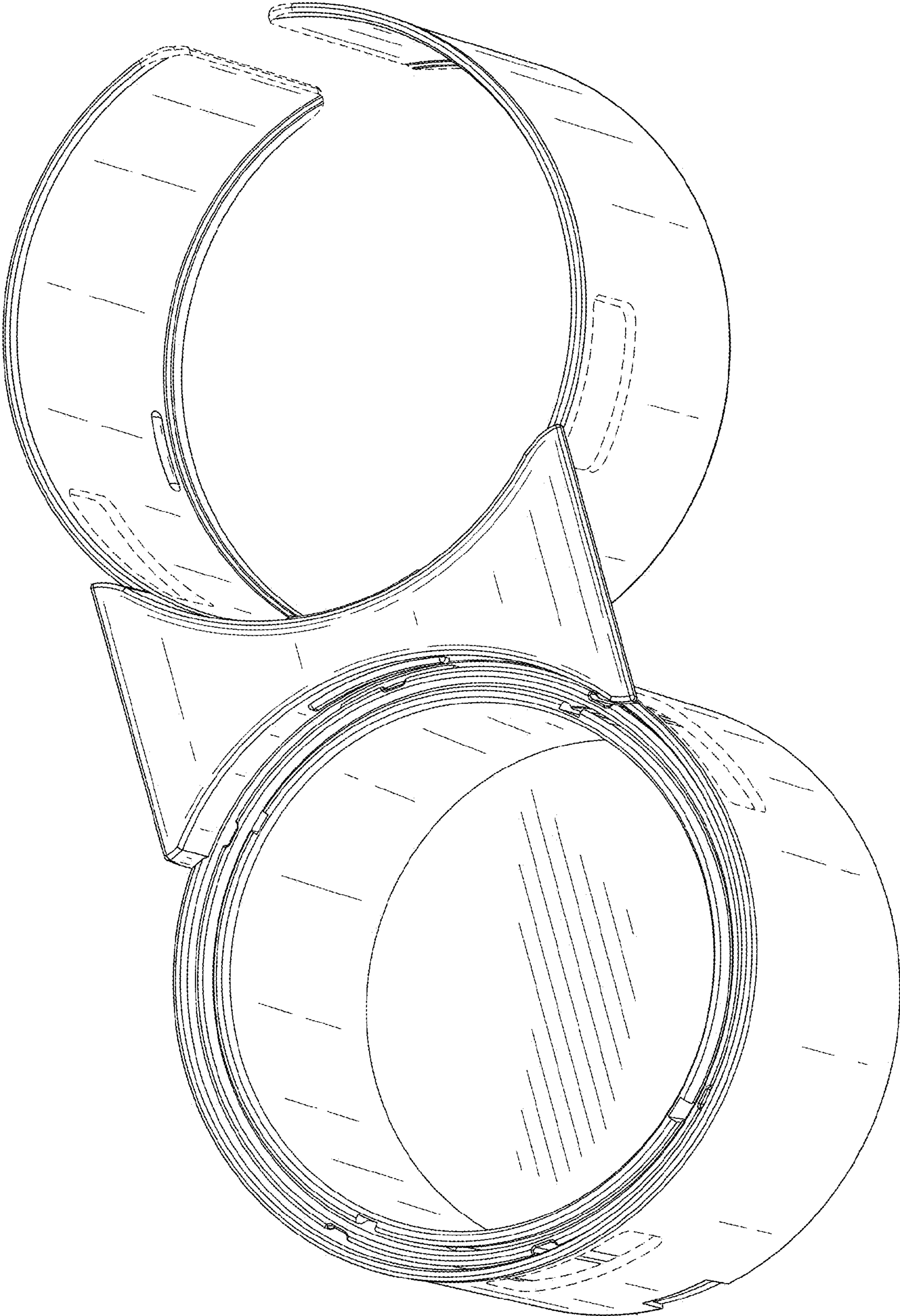


FIG. 1



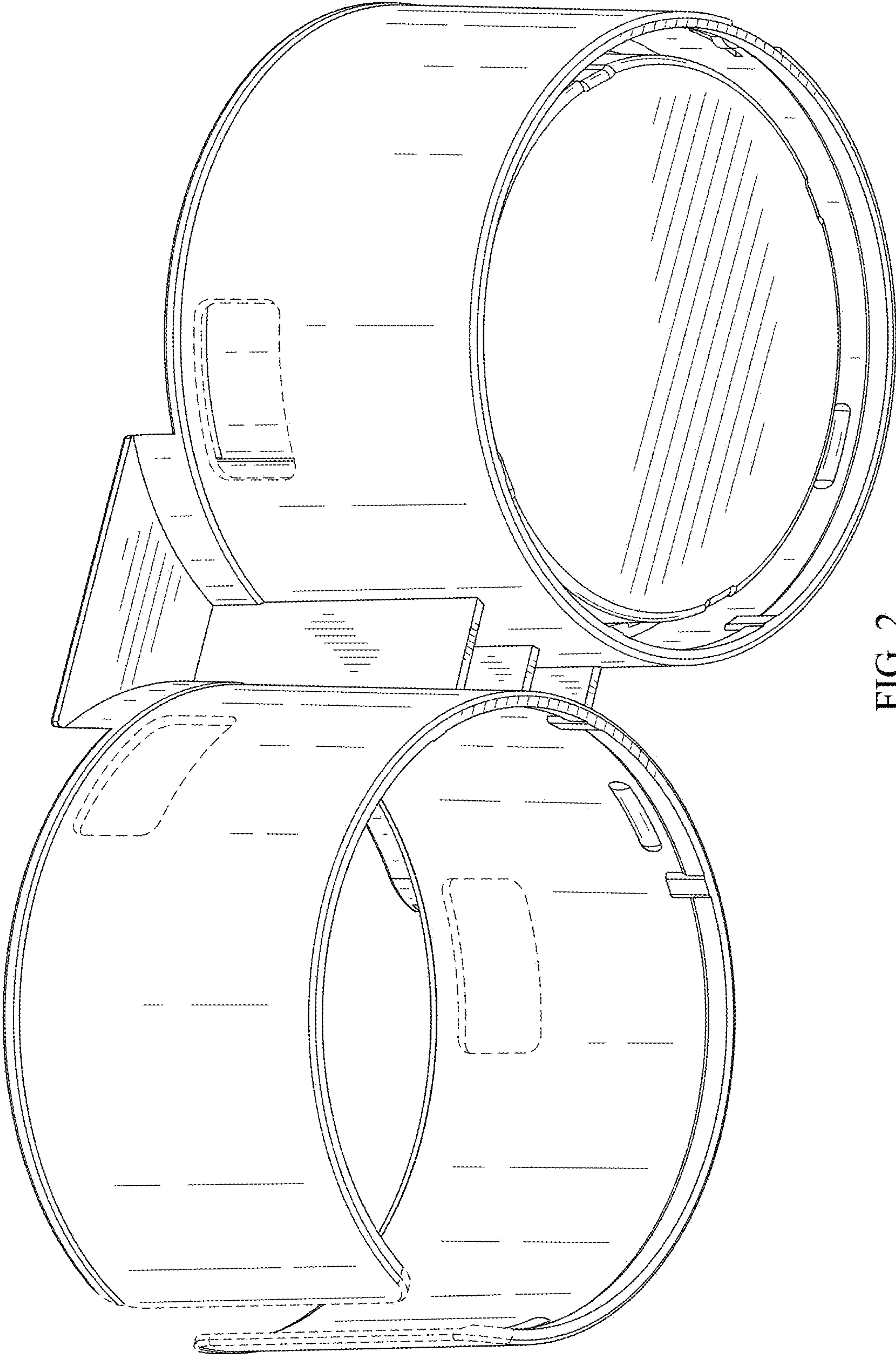


FIG. 2

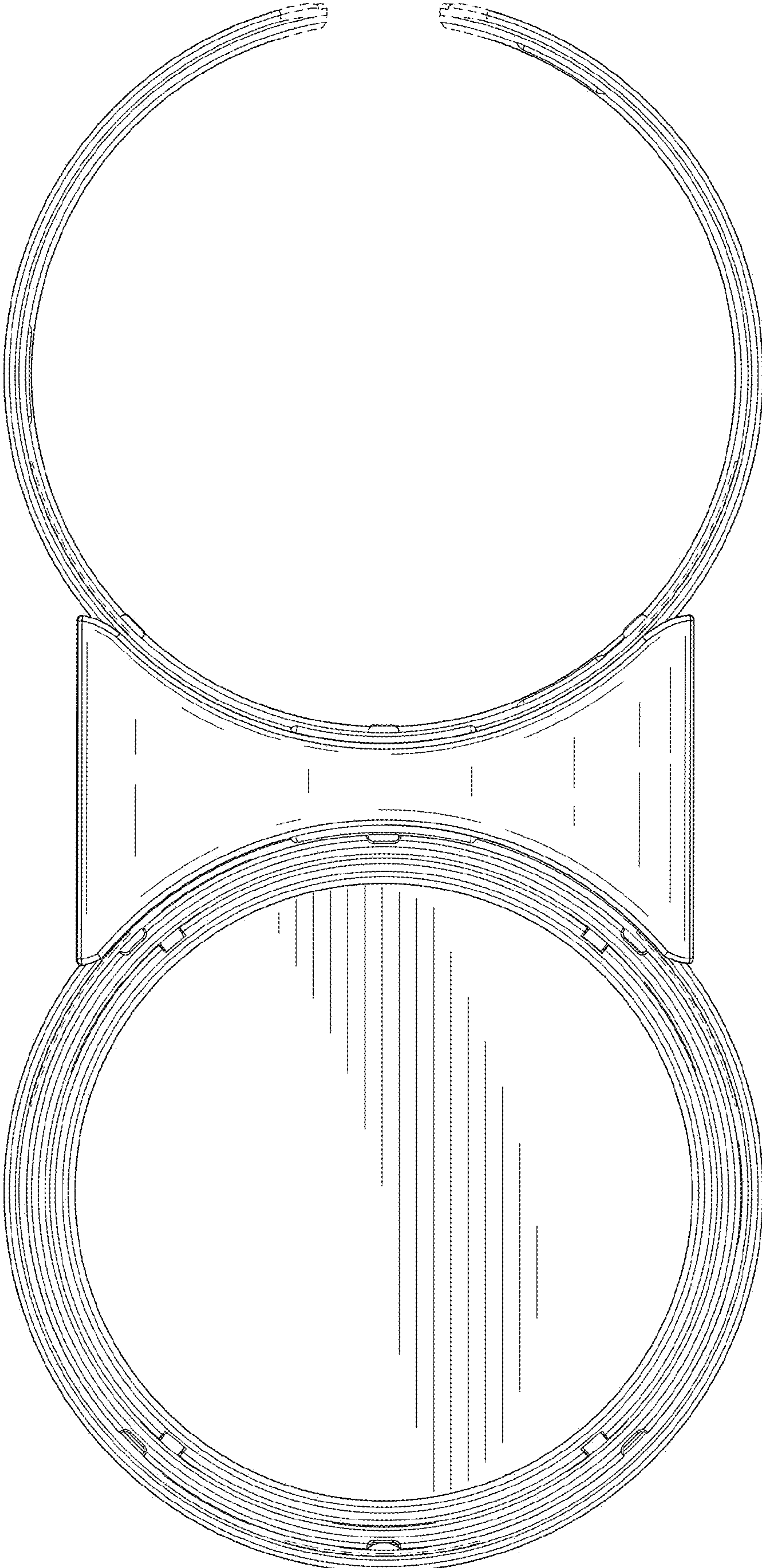


FIG. 3



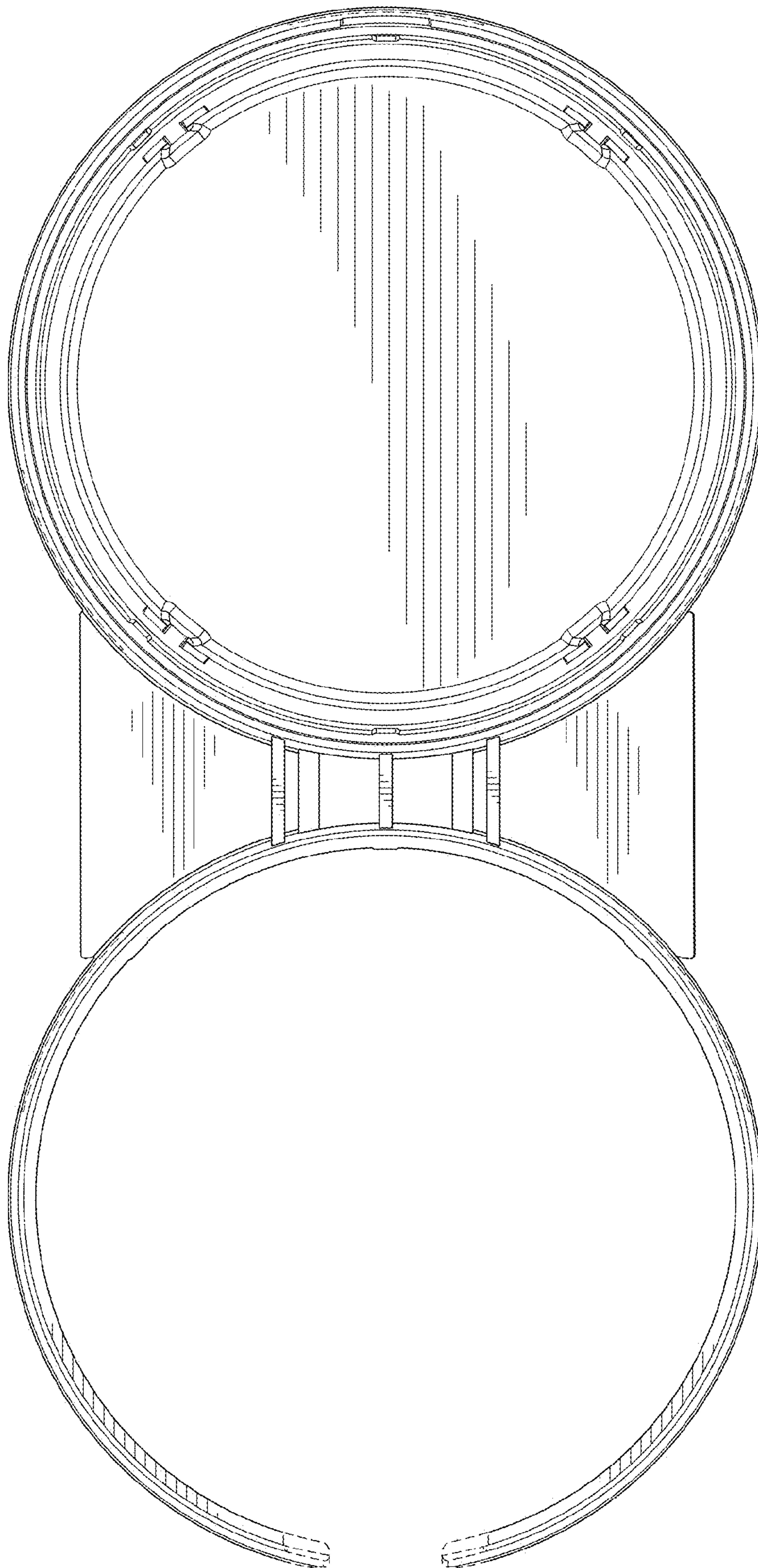


FIG. 4

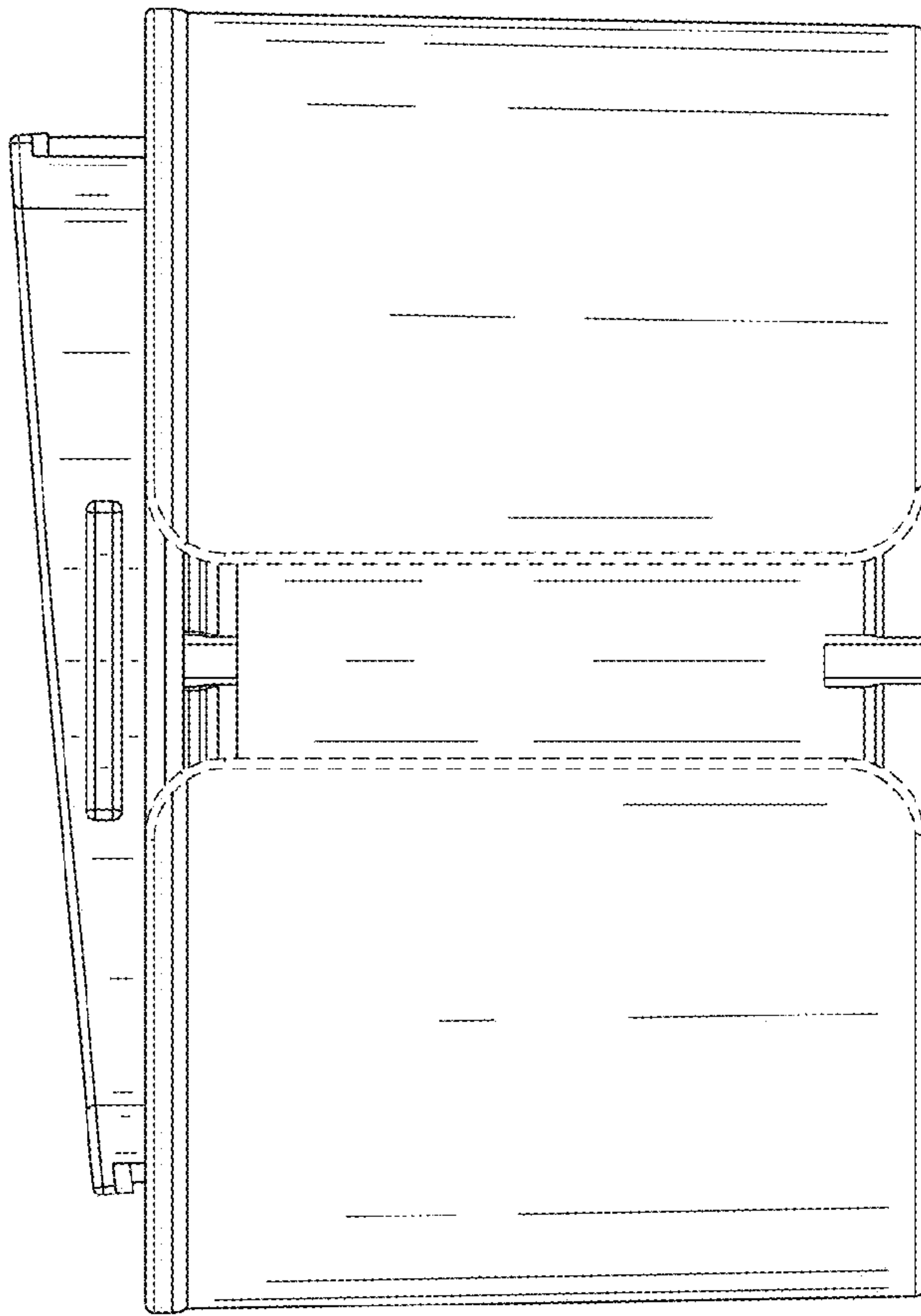


FIG. 5

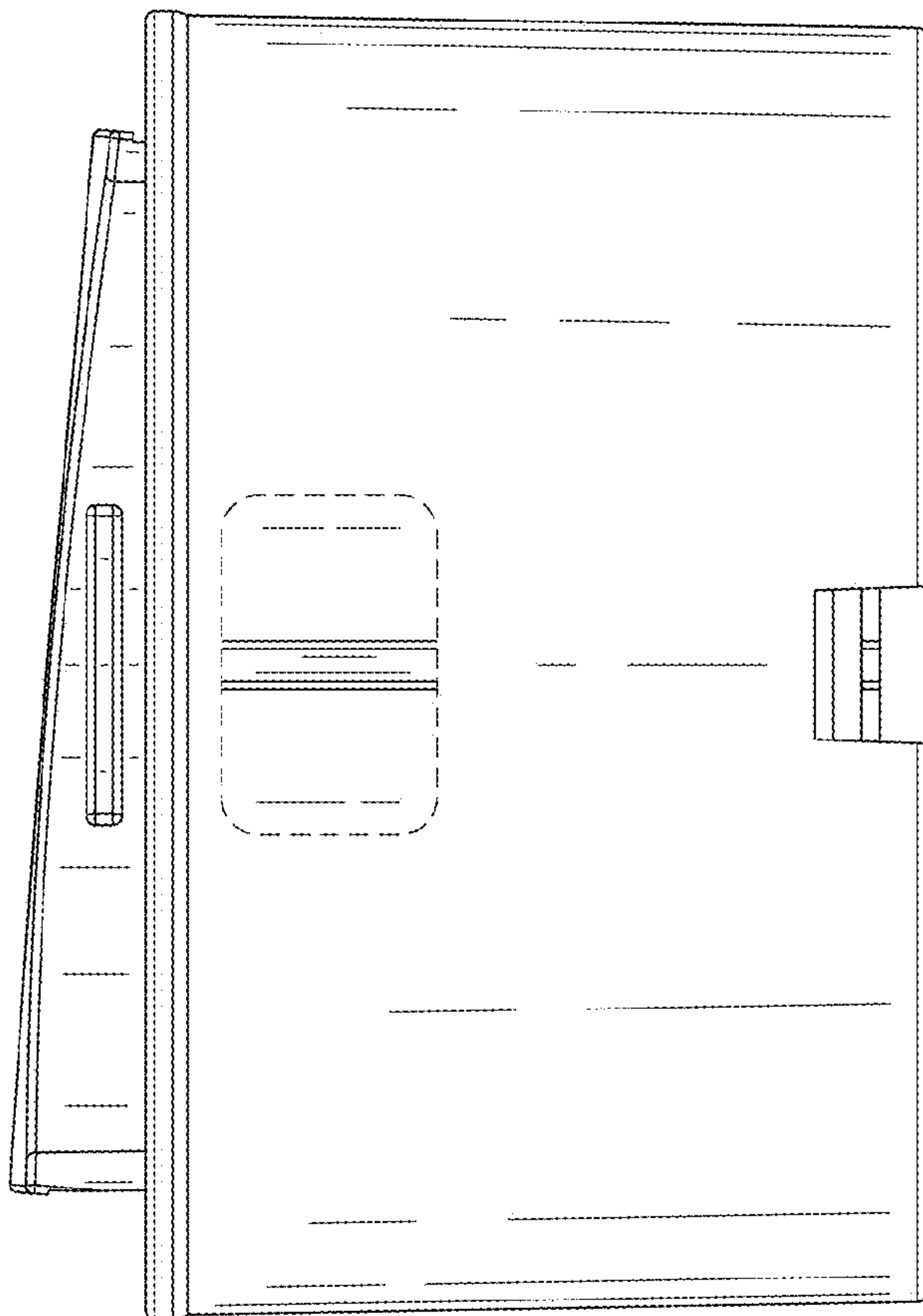


FIG. 6

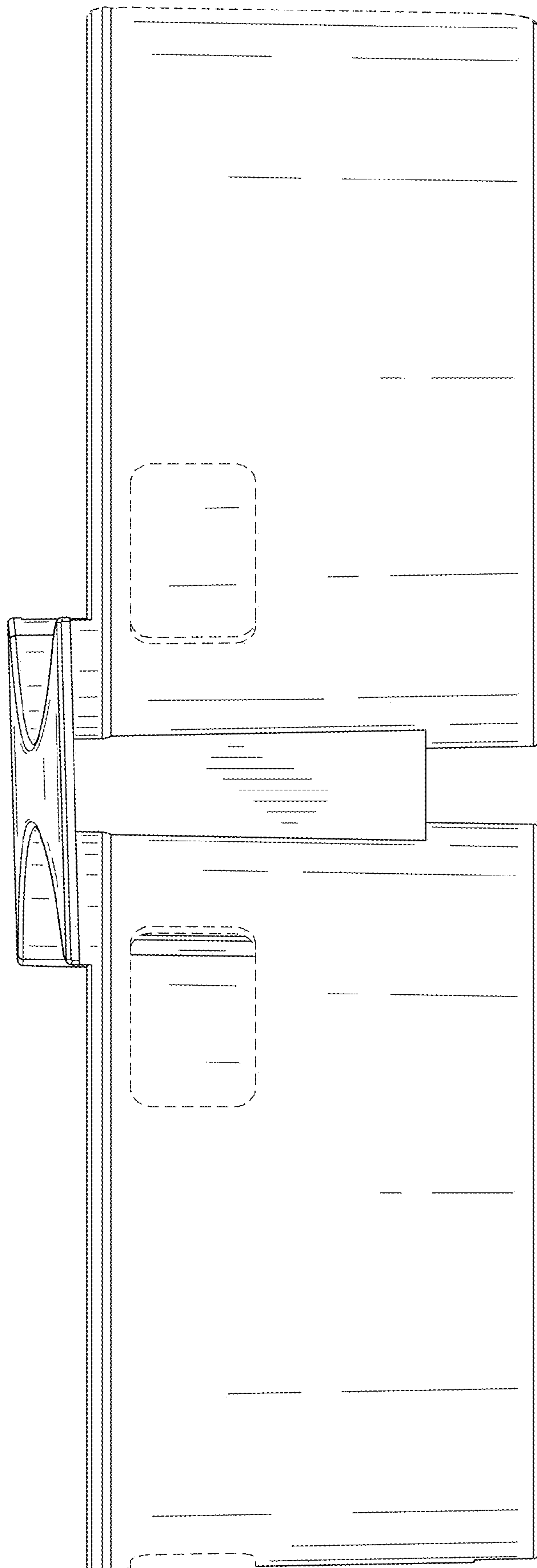


FIG. 7



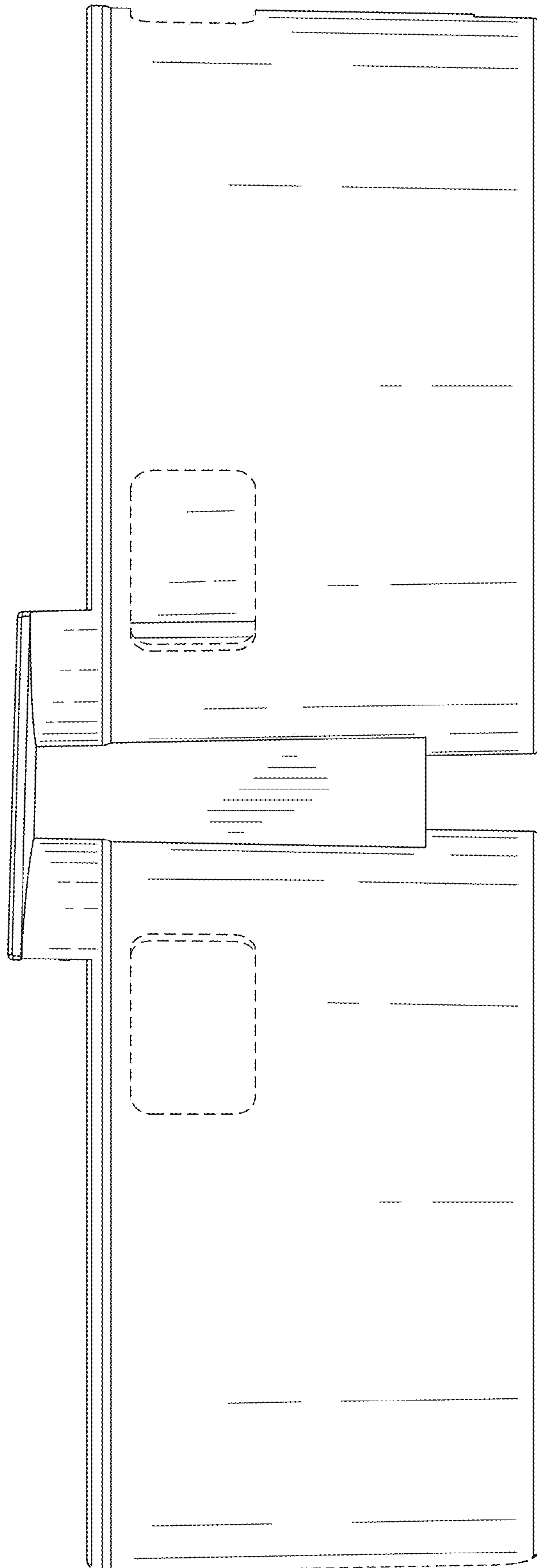


FIG. 8

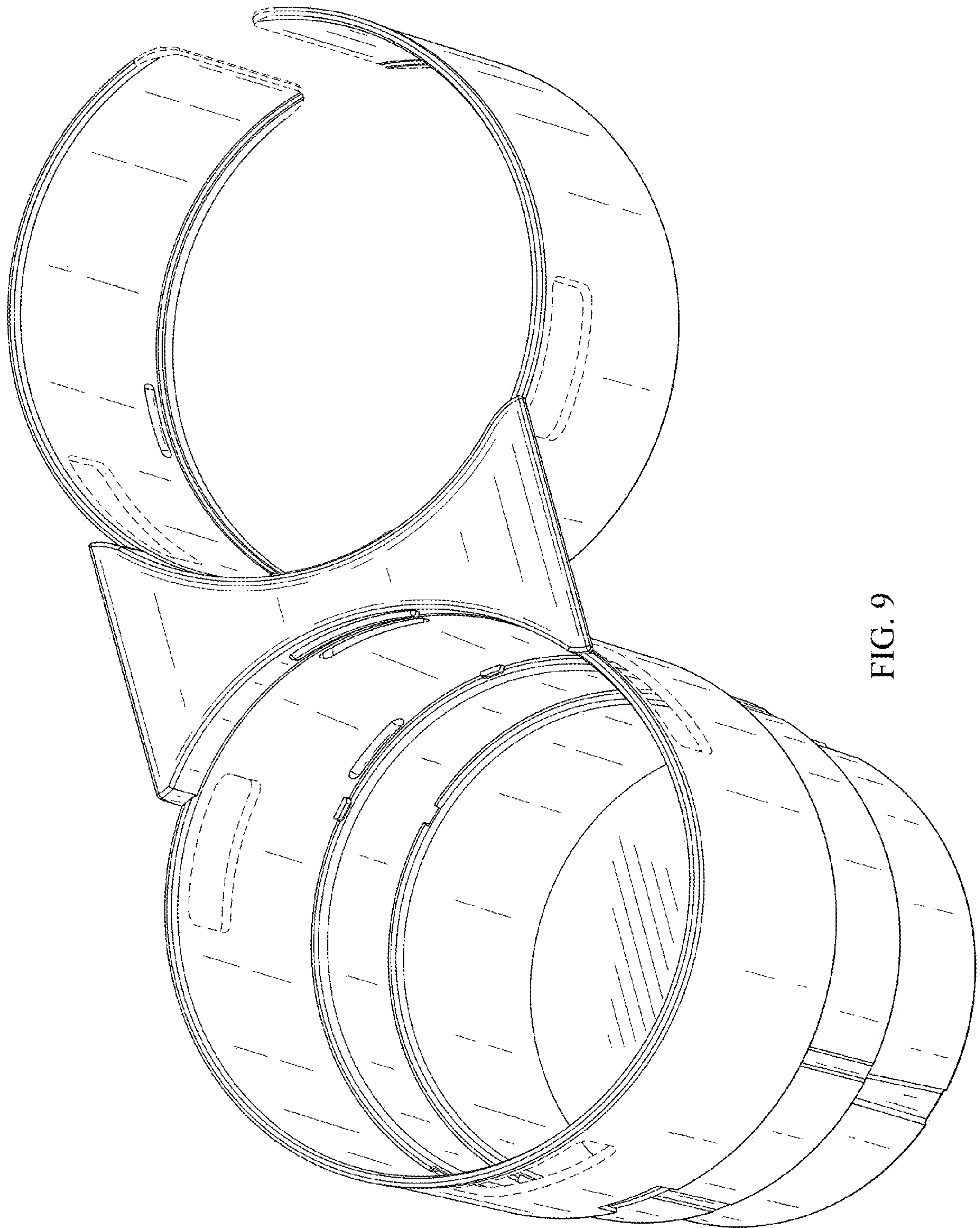


FIG. 9

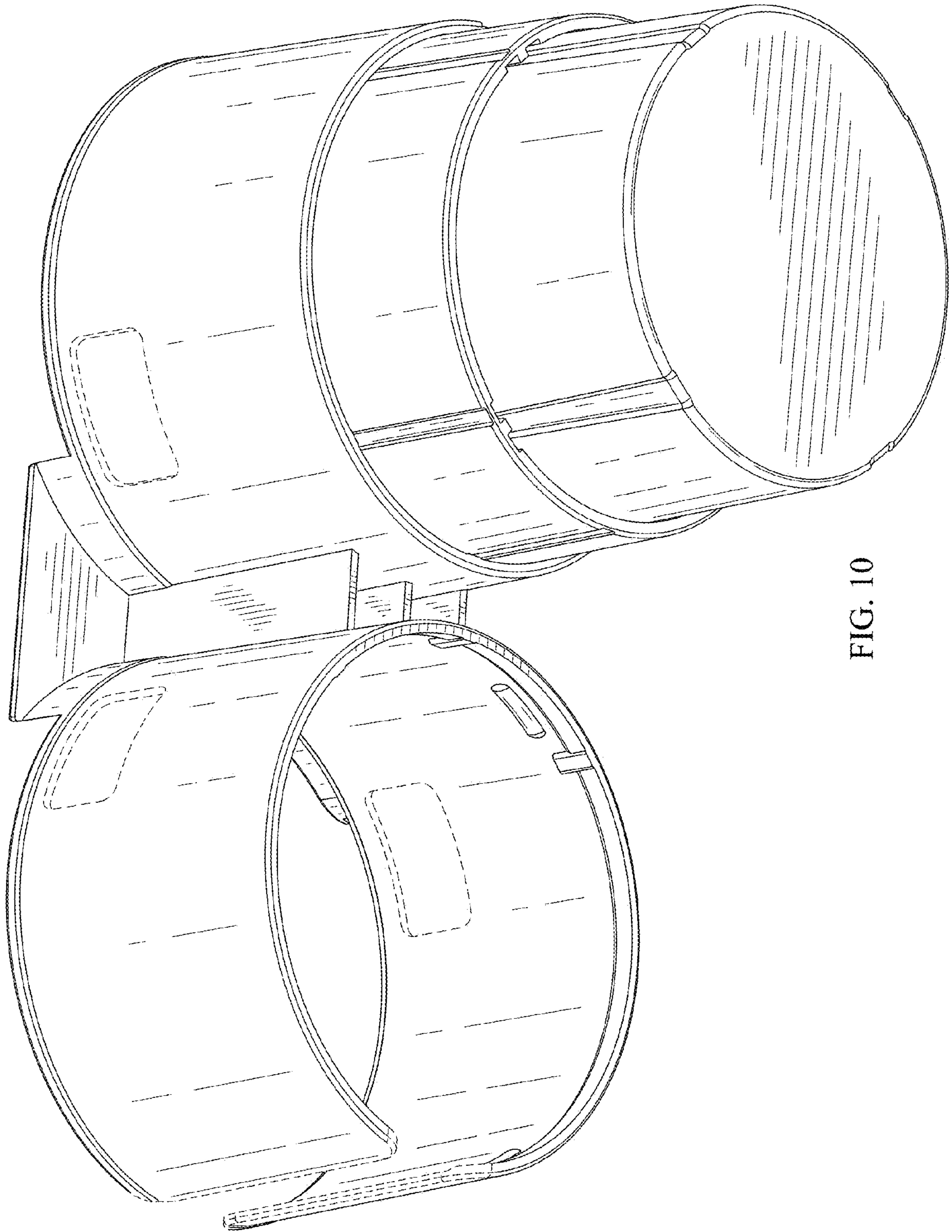


FIG. 10



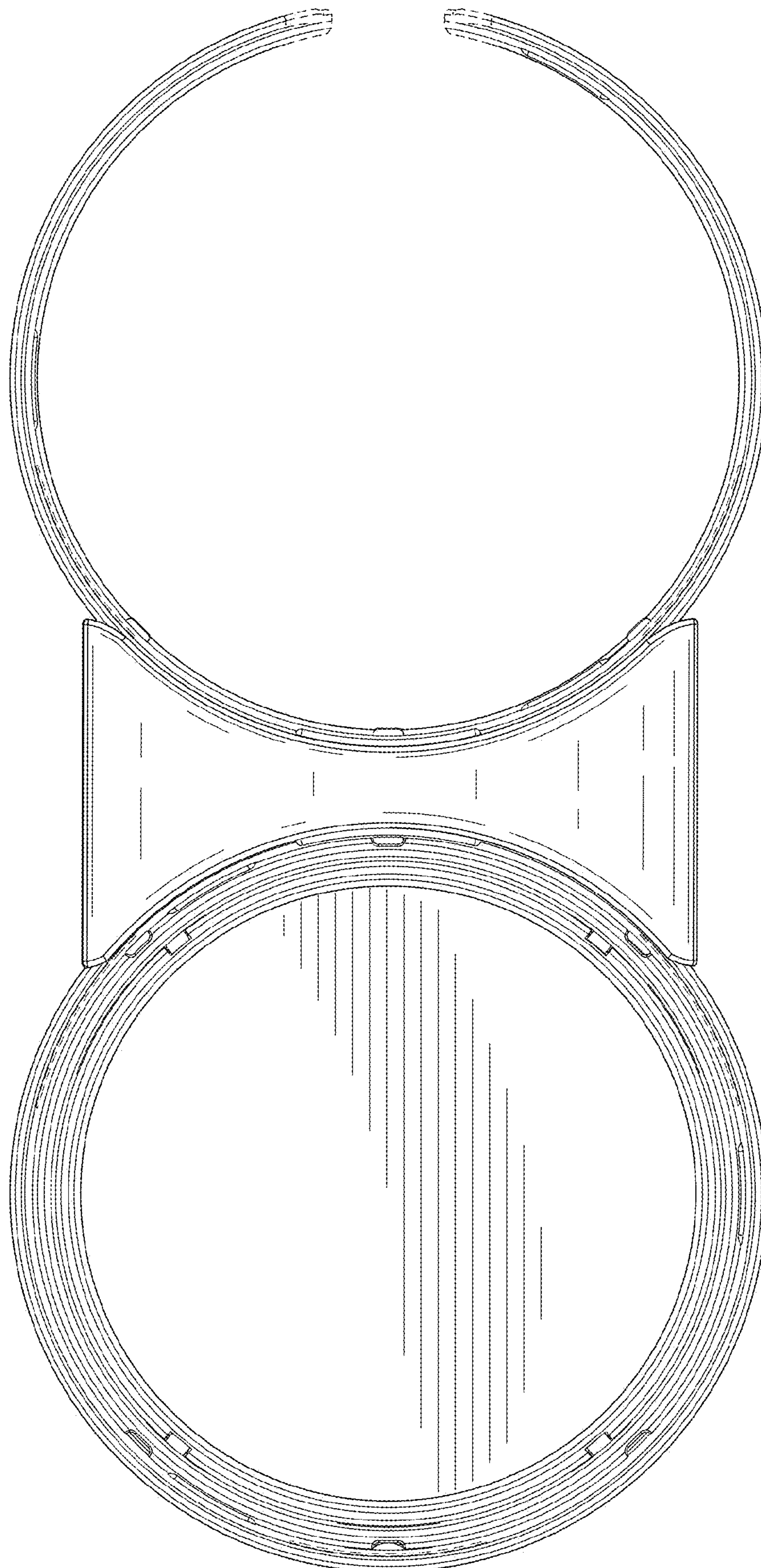


FIG. 11

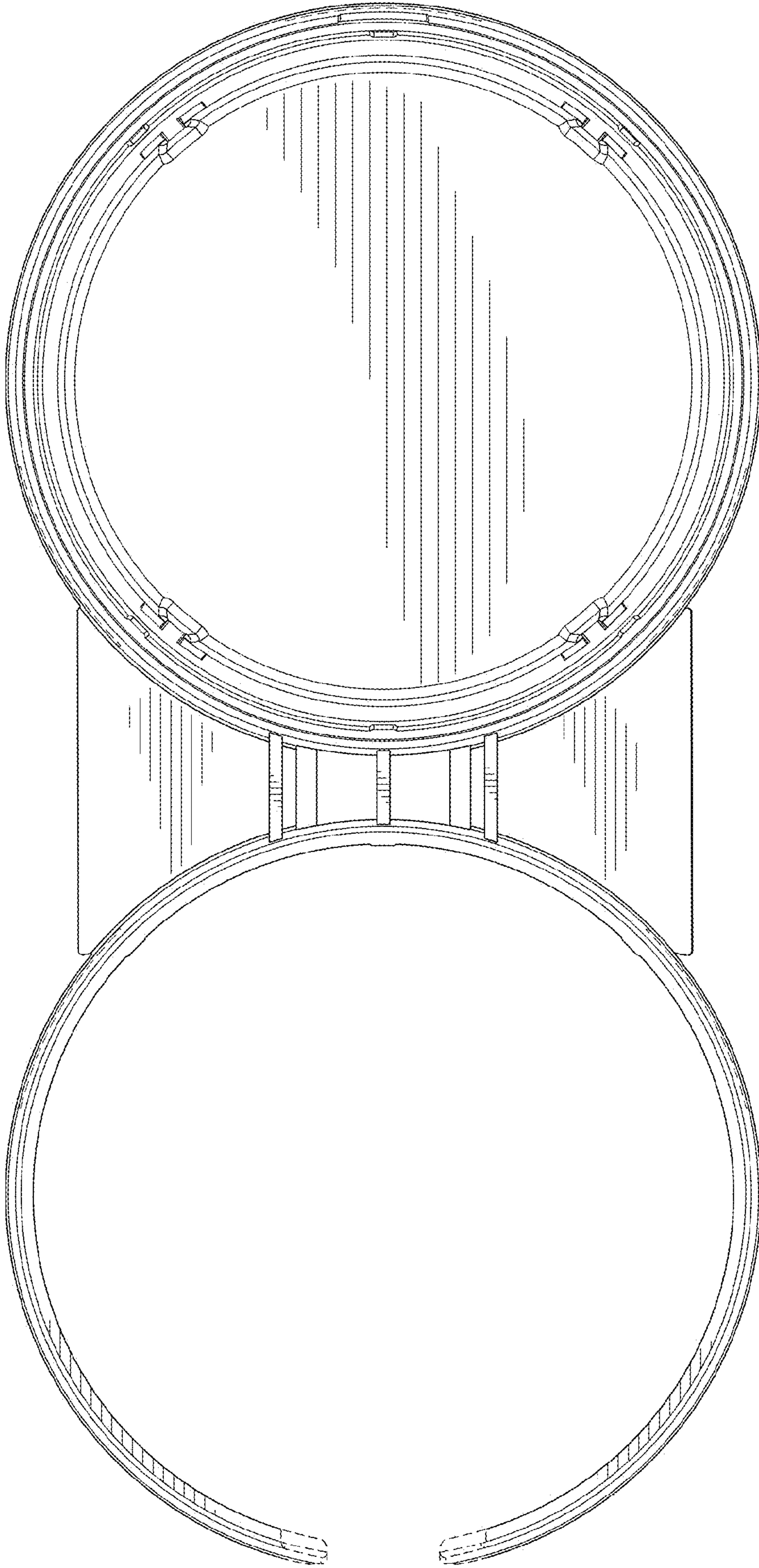


FIG. 12

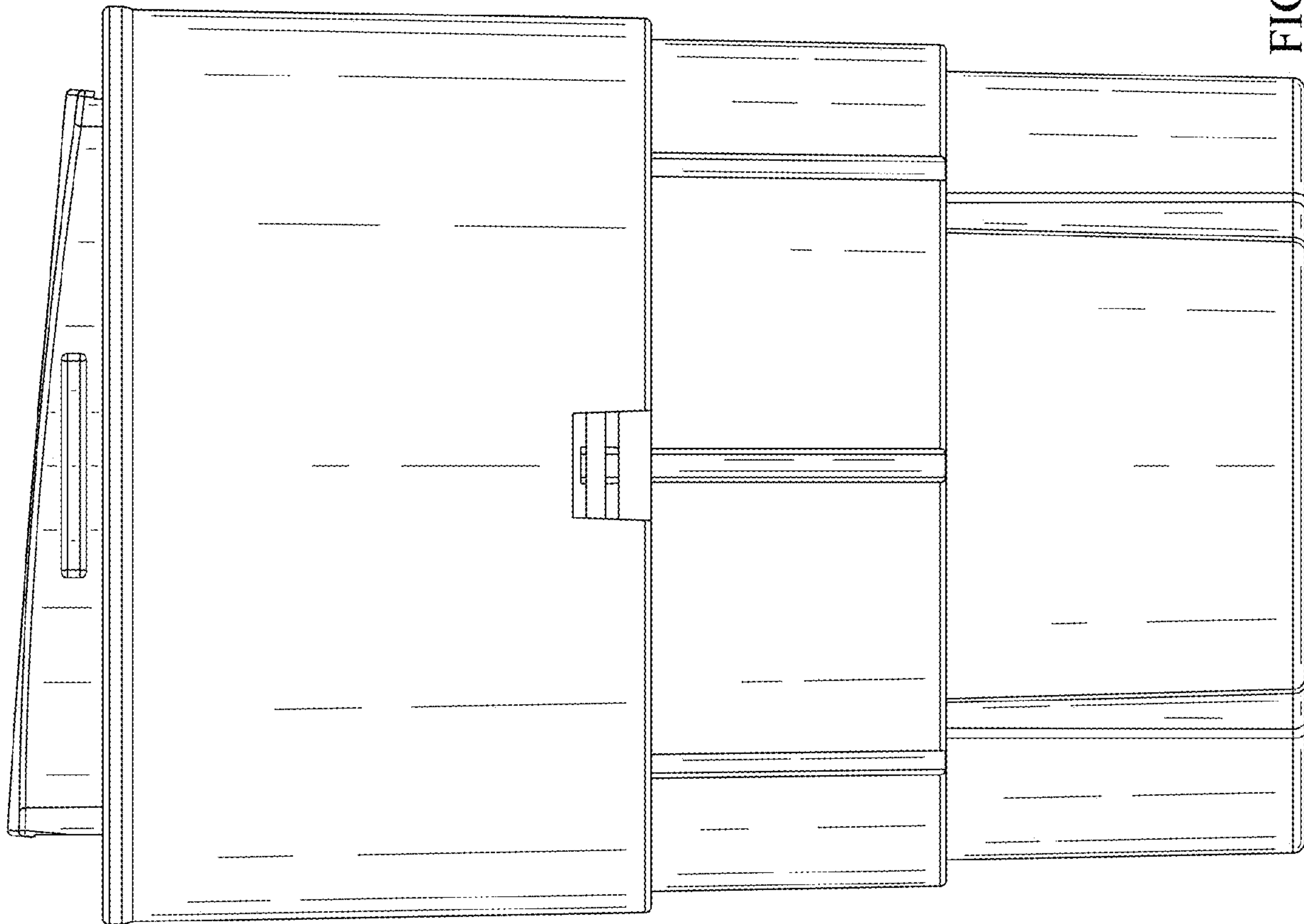


FIG. 13



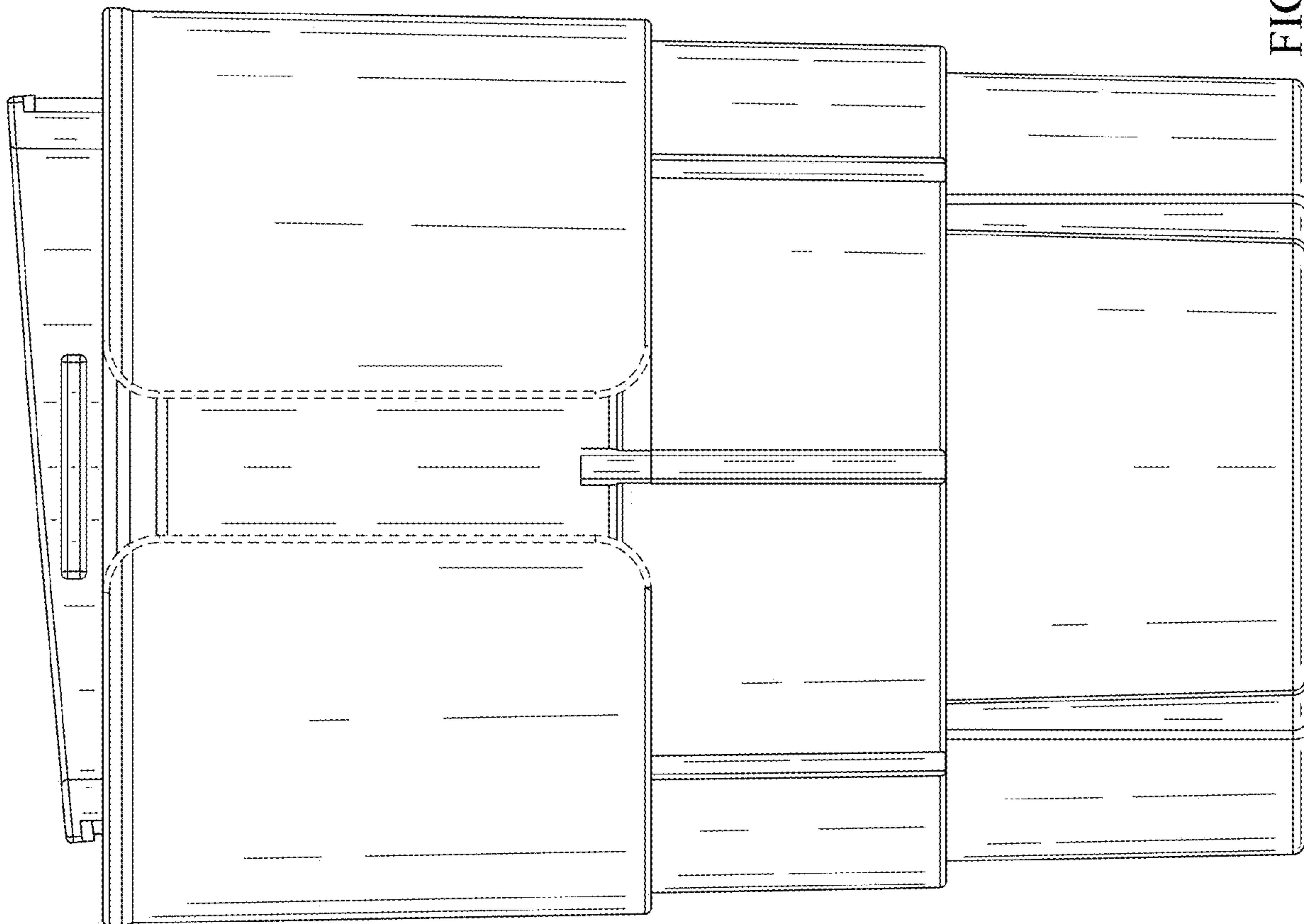


FIG. 14

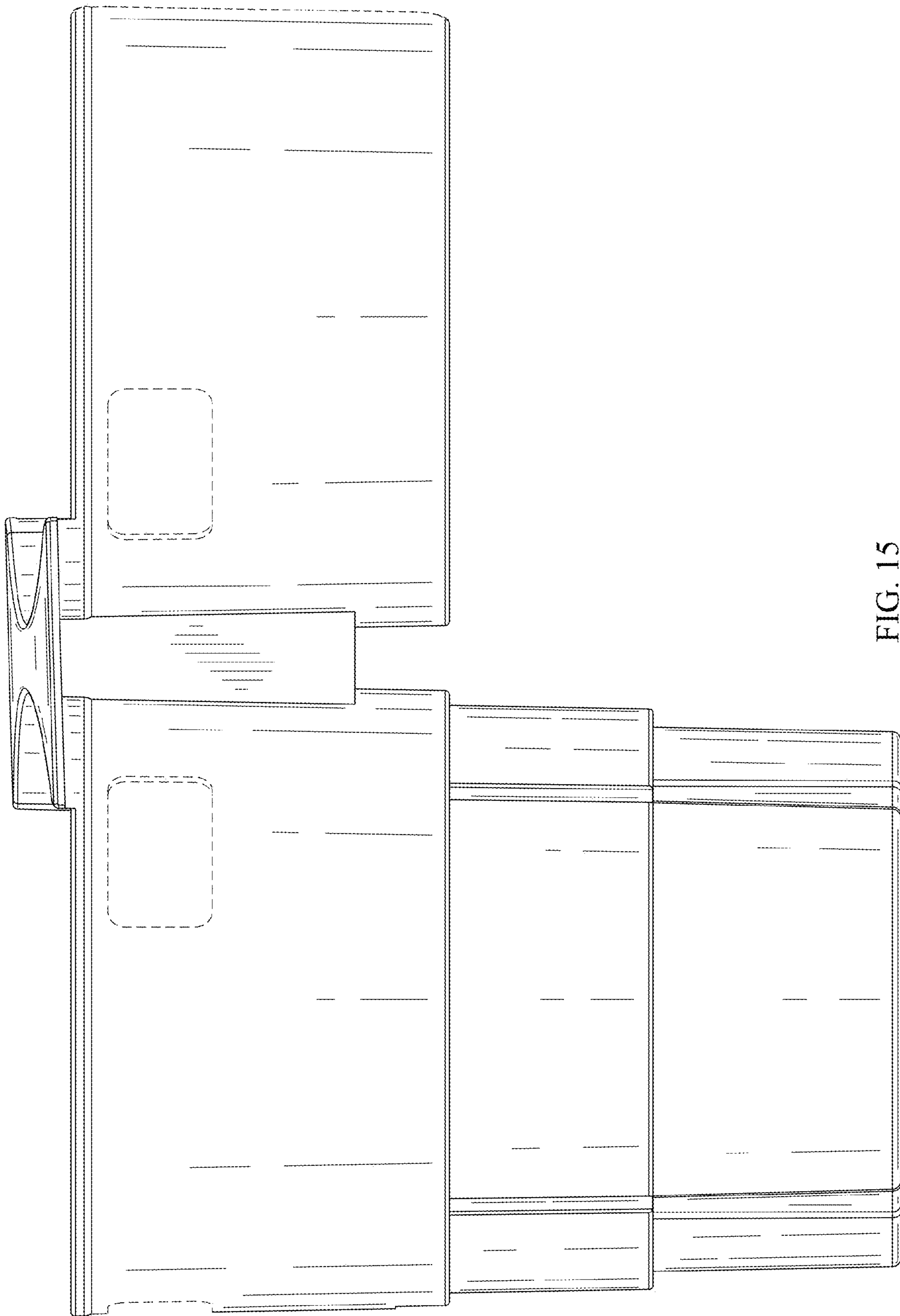


FIG. 15

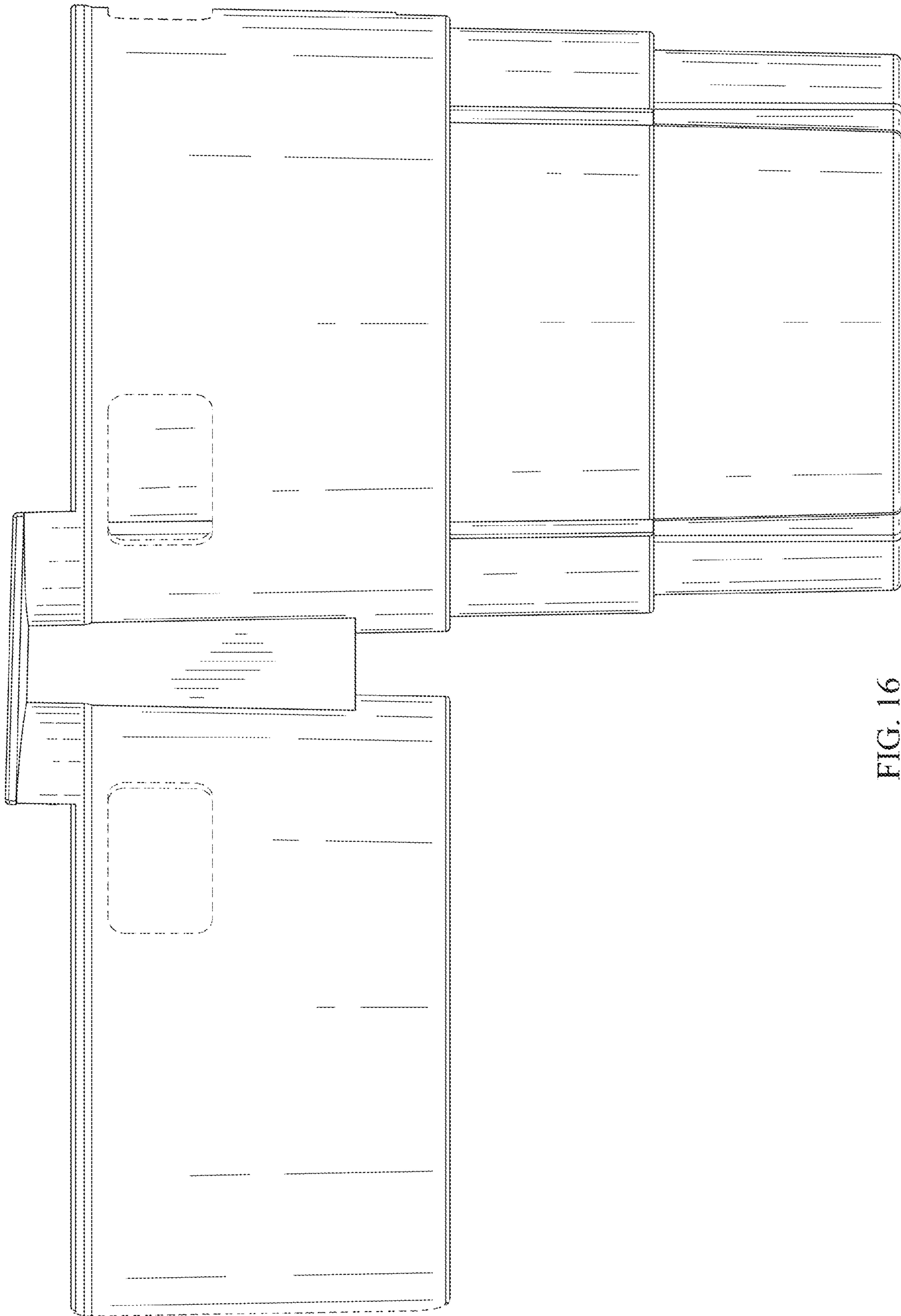


FIG. 16



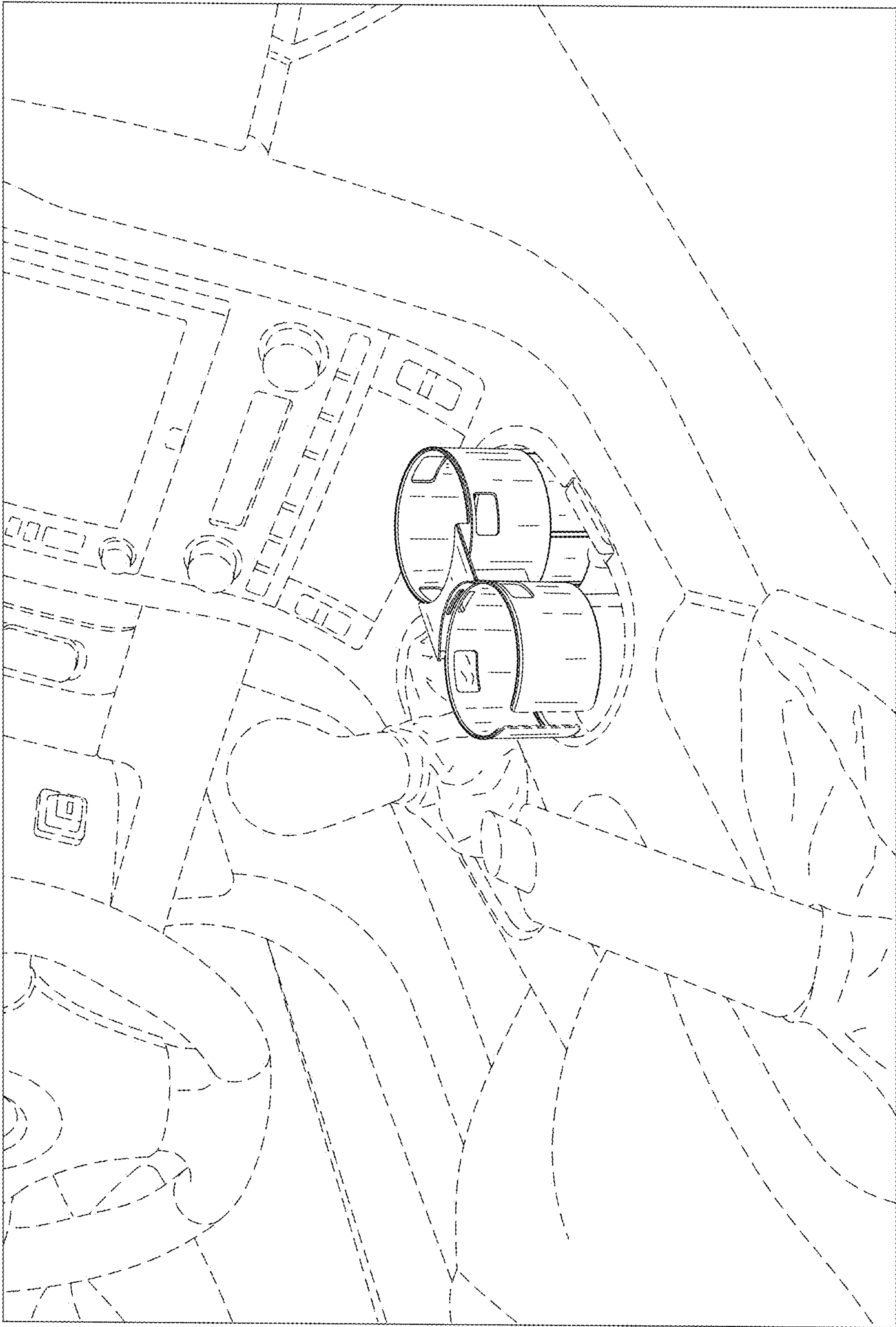


FIG. 17

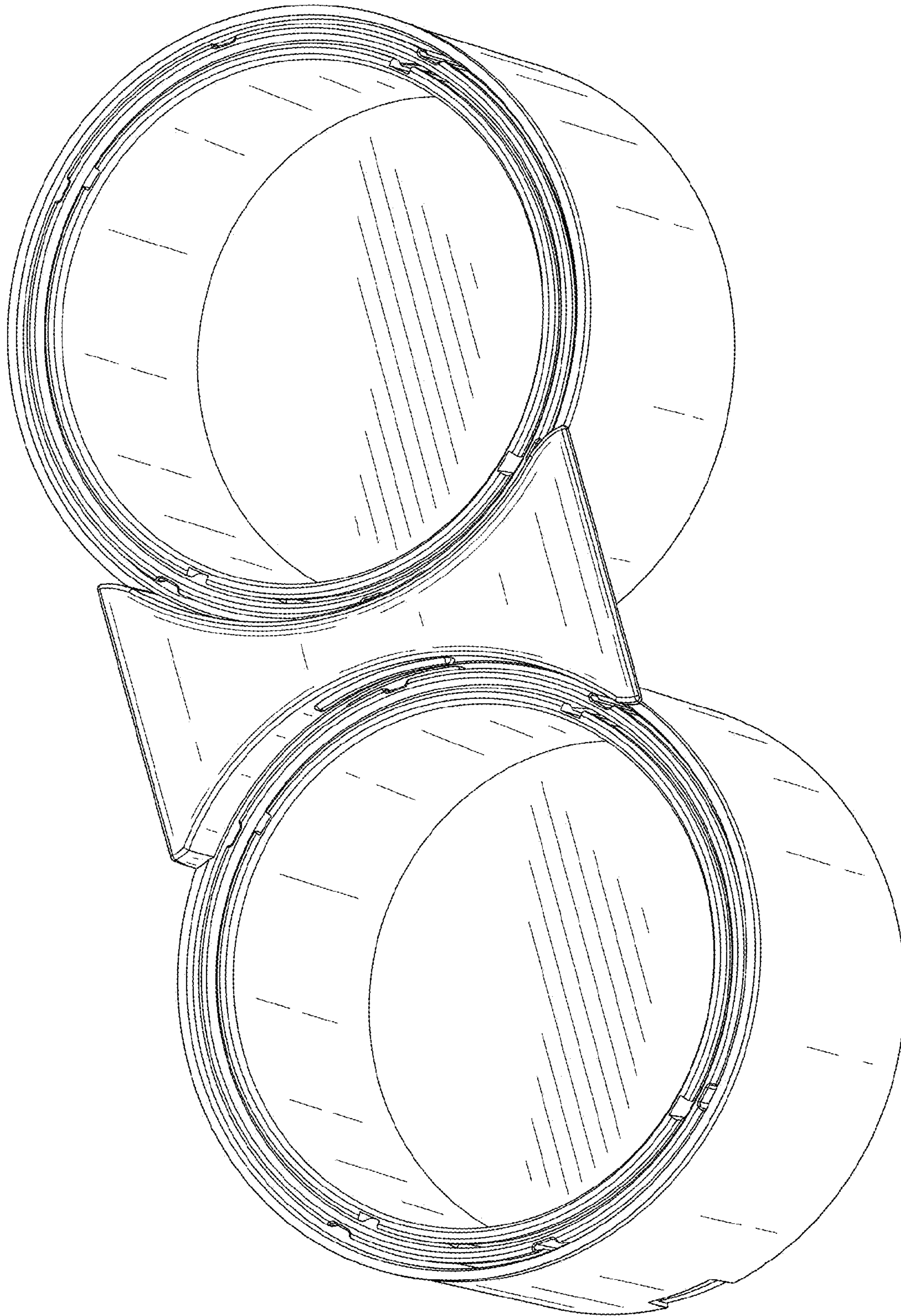


FIG. 18

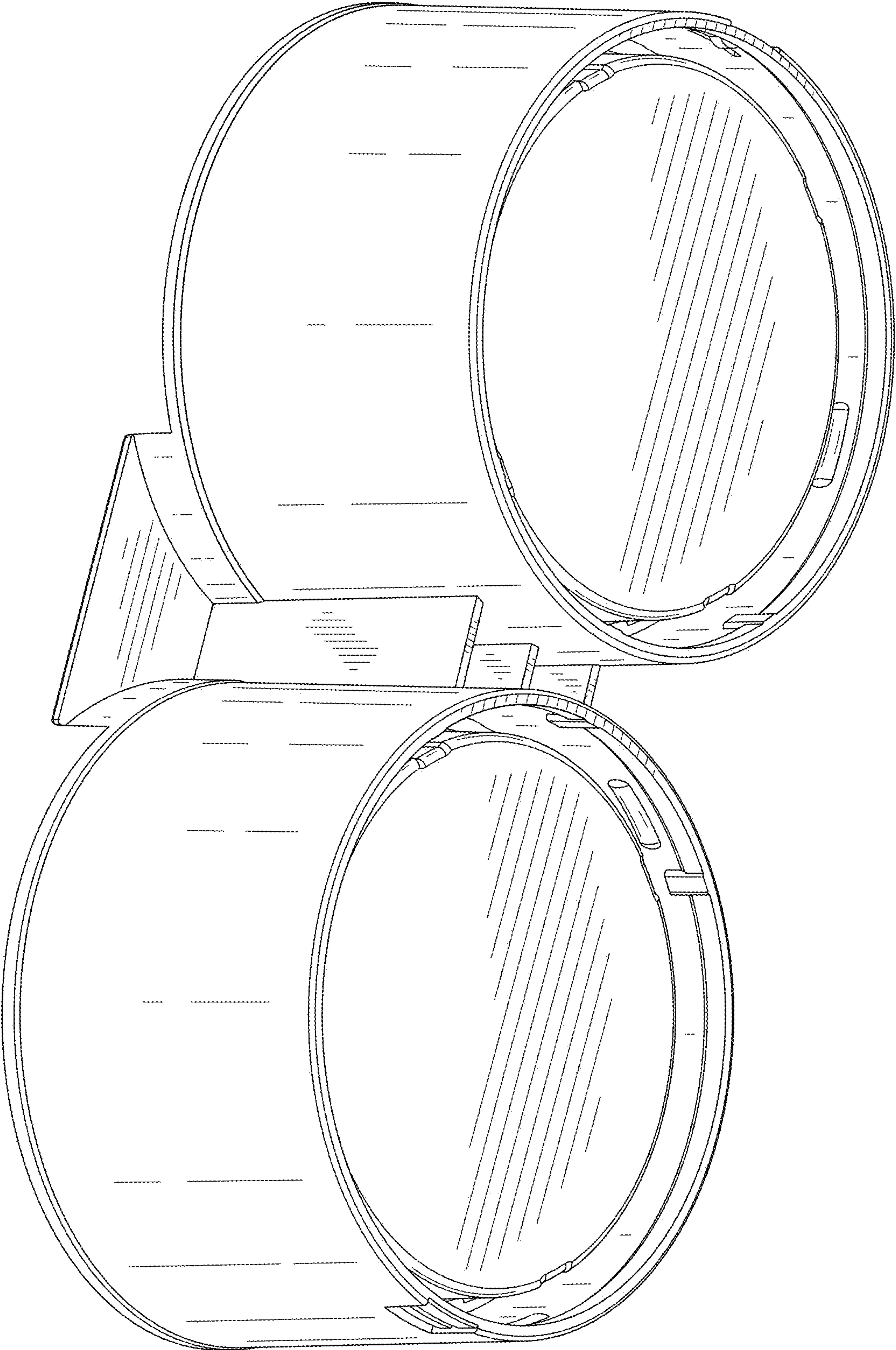


FIG. 19



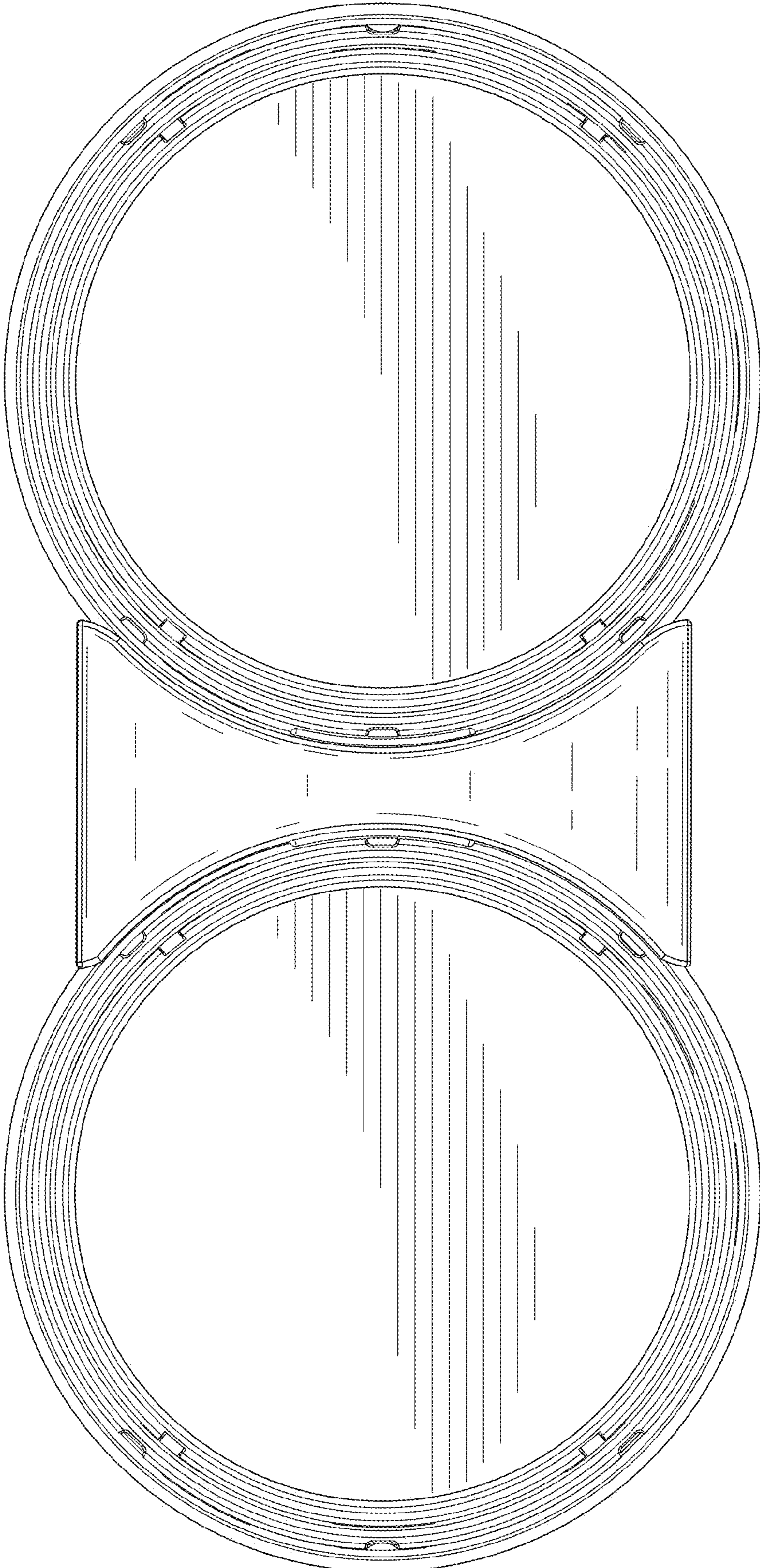


FIG. 20

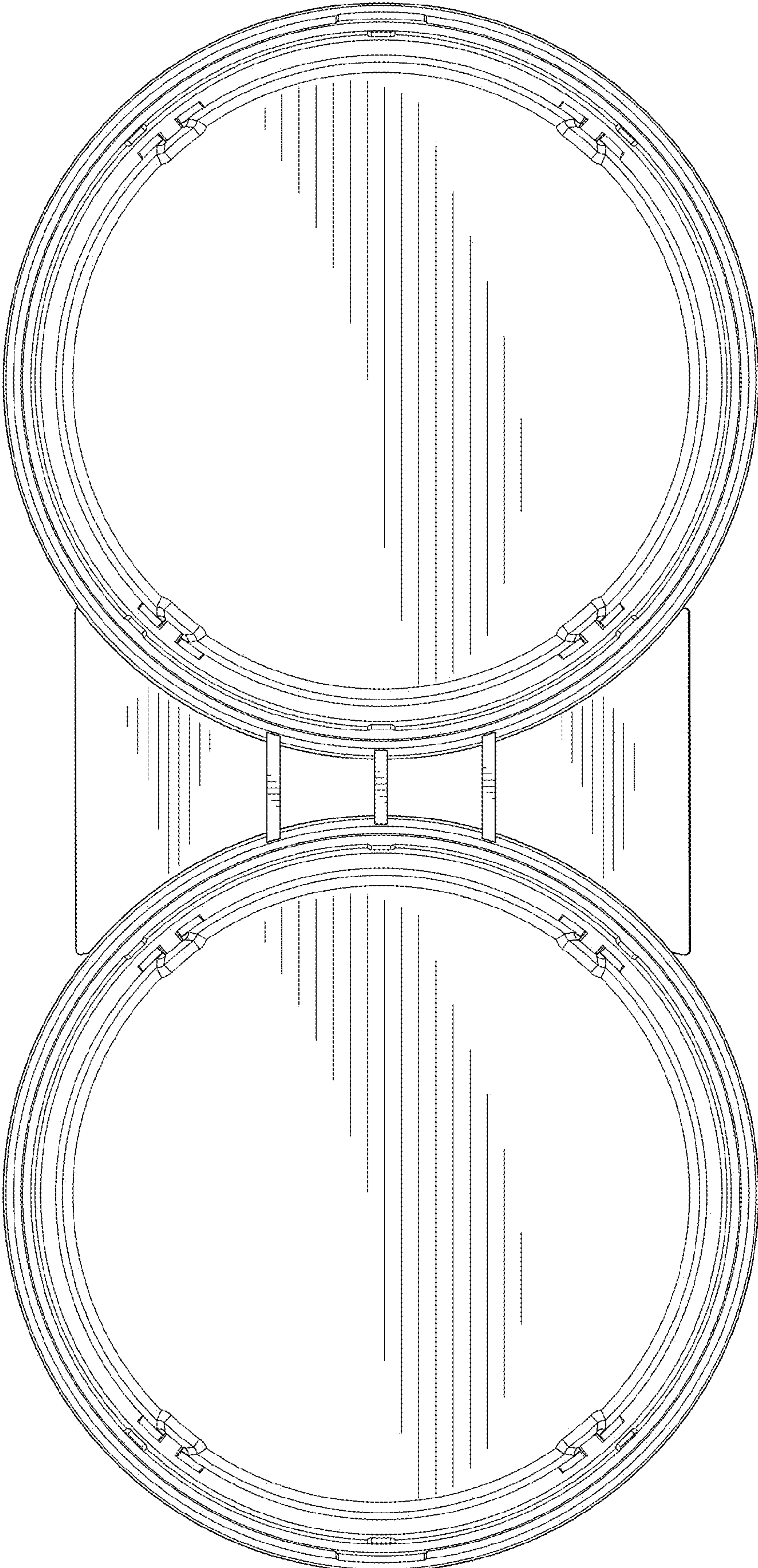


FIG. 21



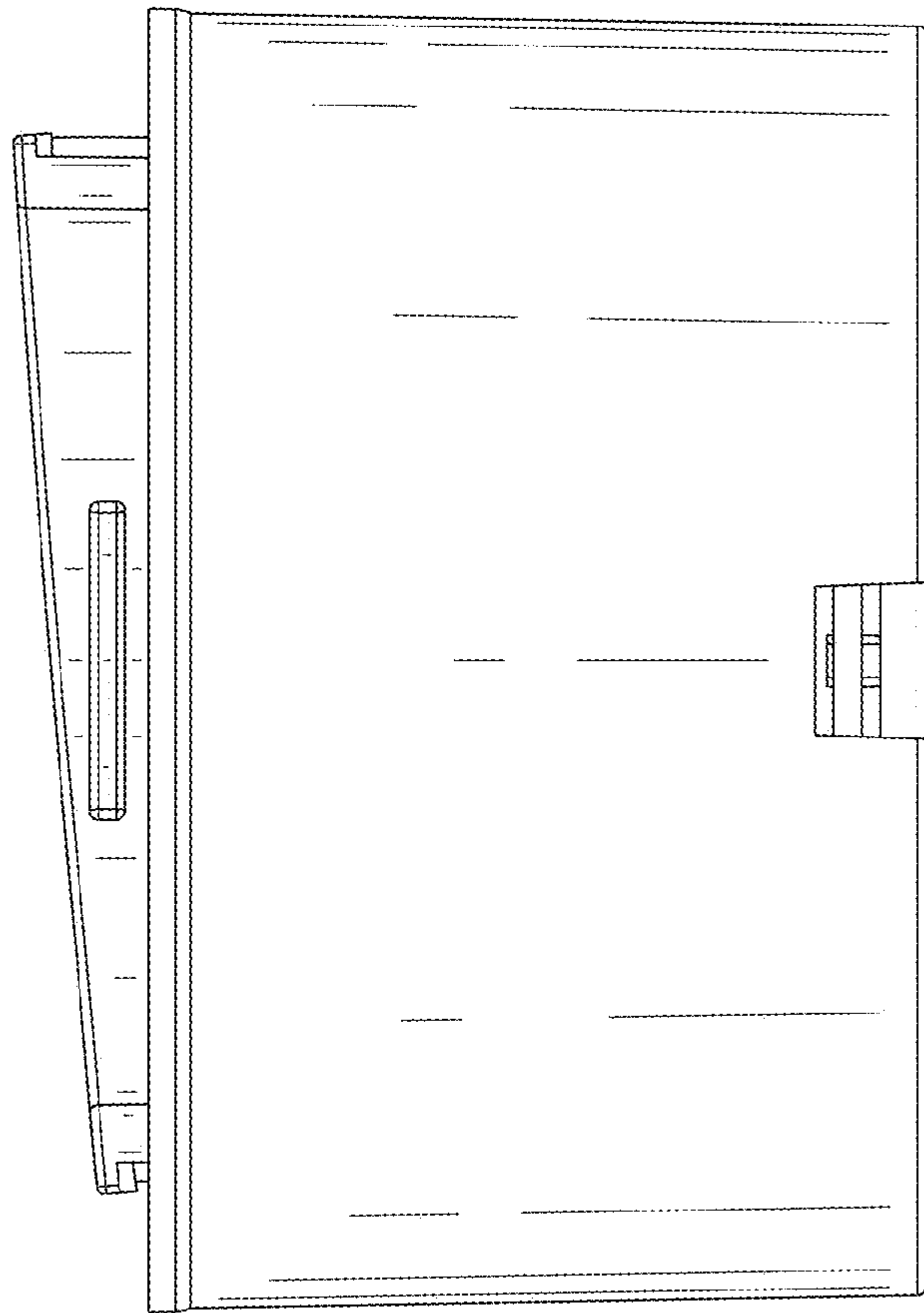


FIG. 22

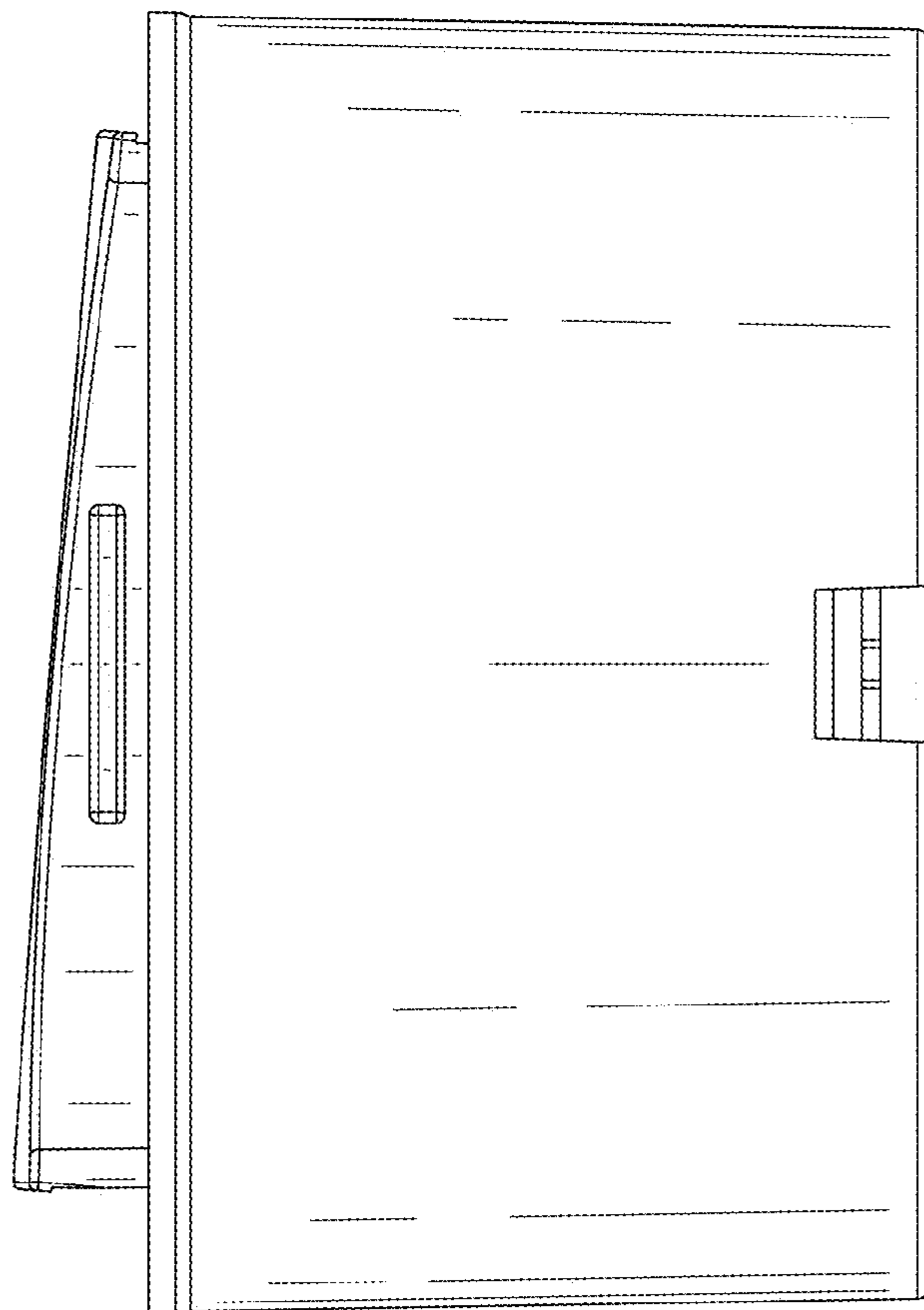


FIG. 23

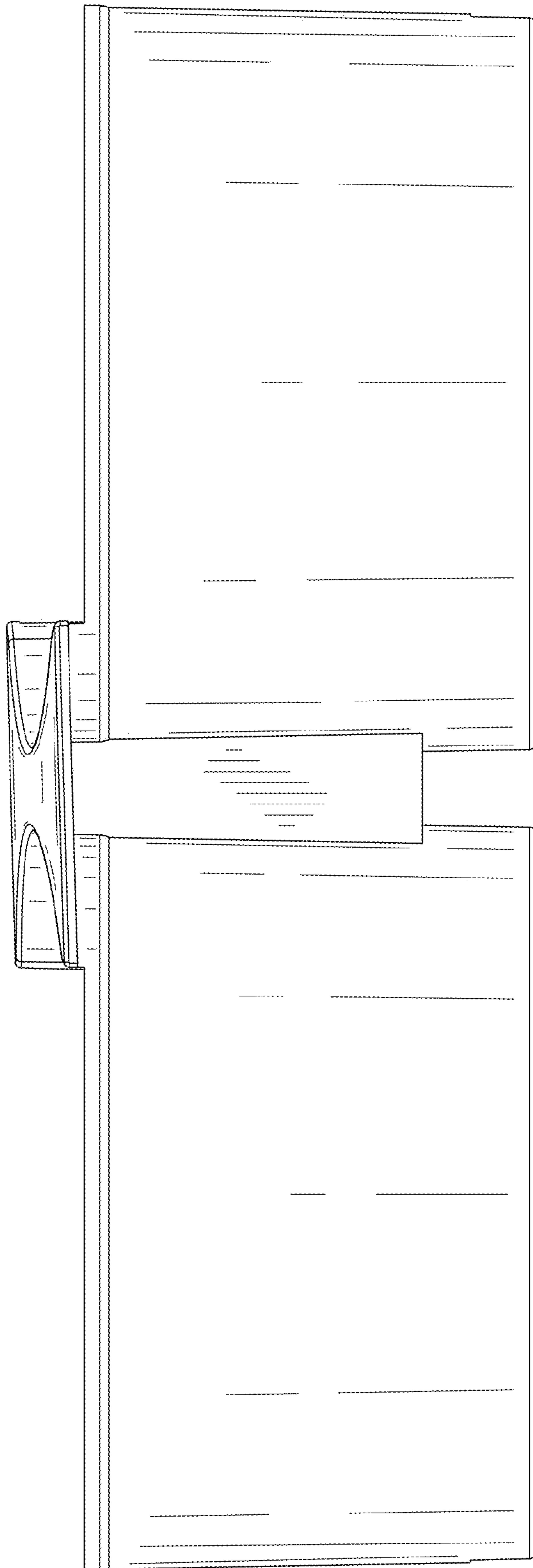


FIG. 24



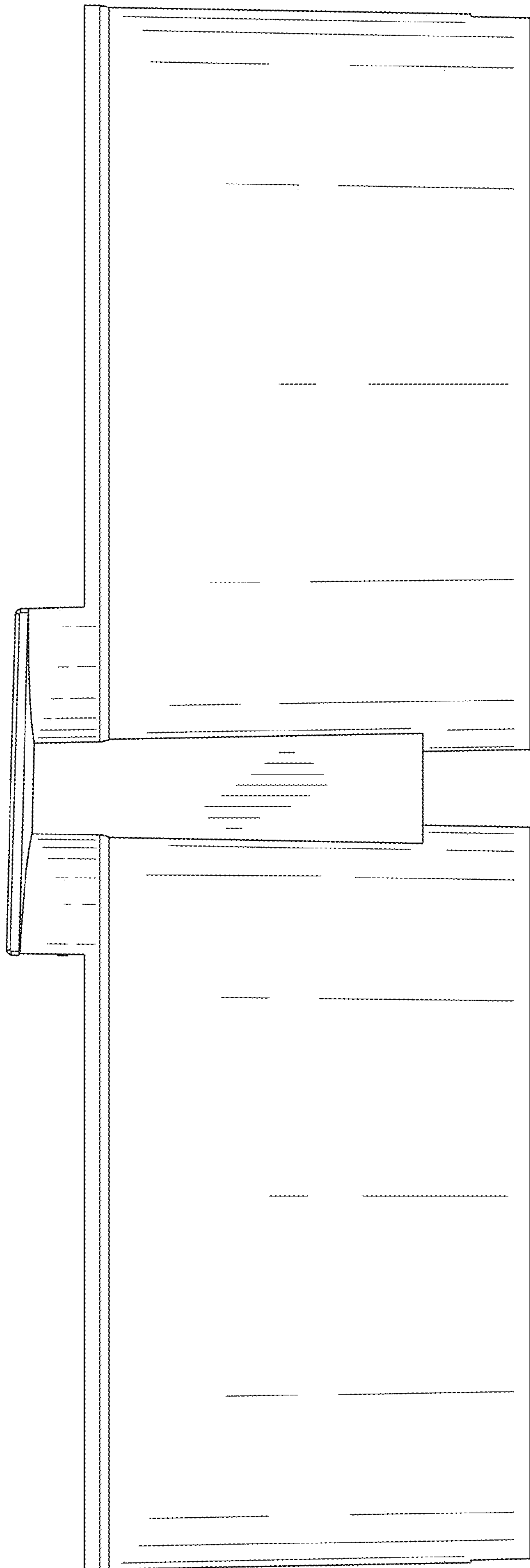


FIG. 25

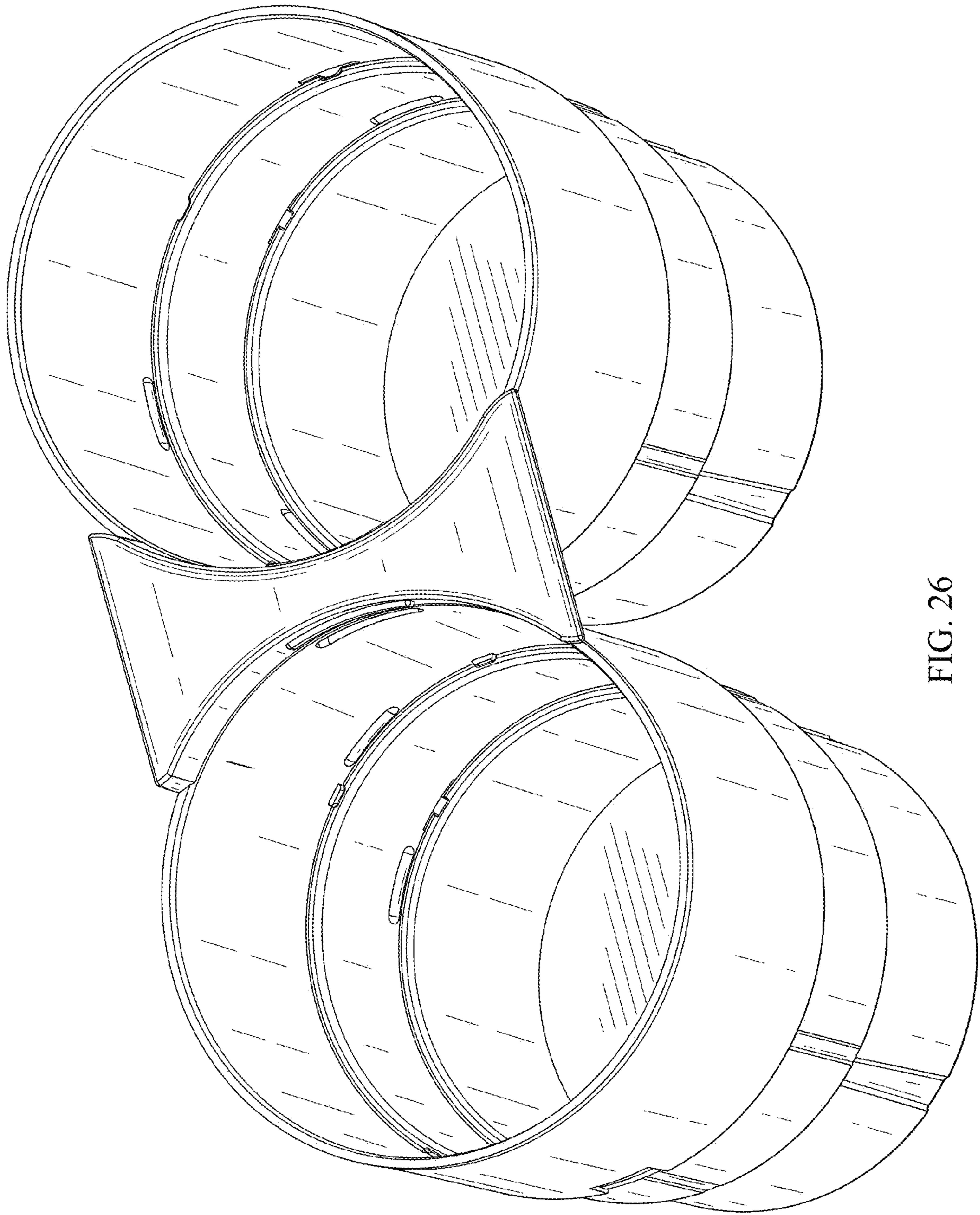


FIG. 26

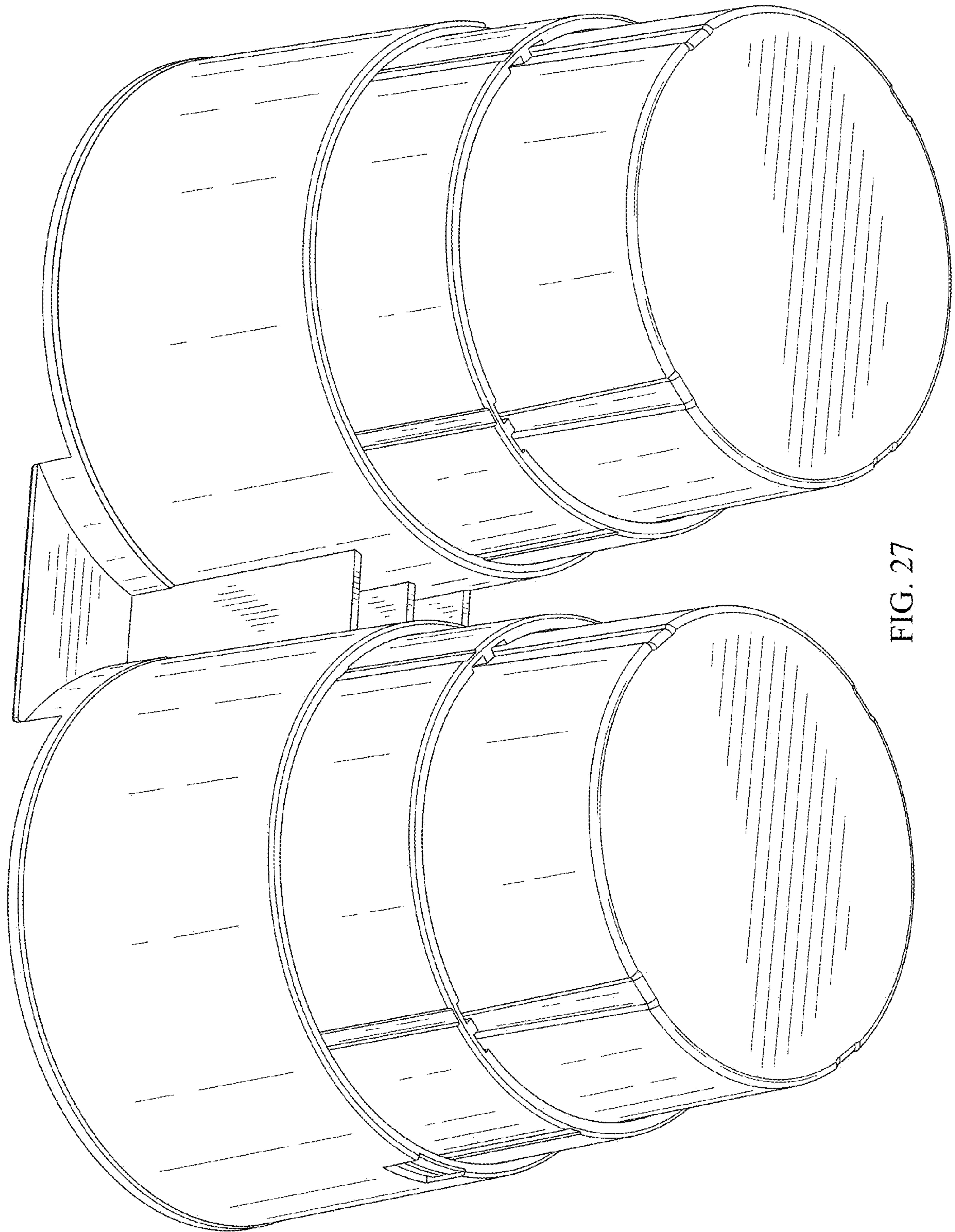


FIG. 27



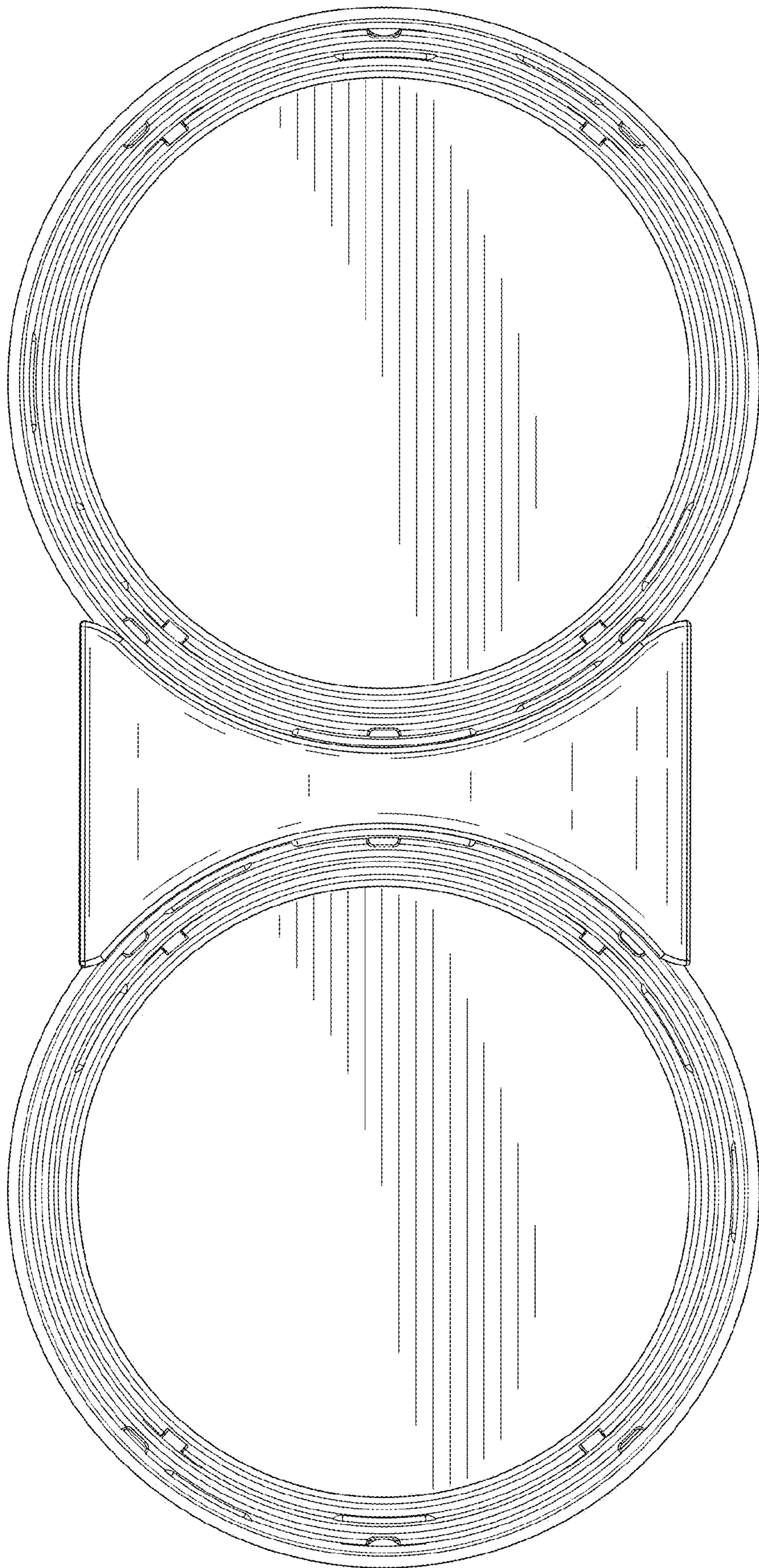


FIG. 28



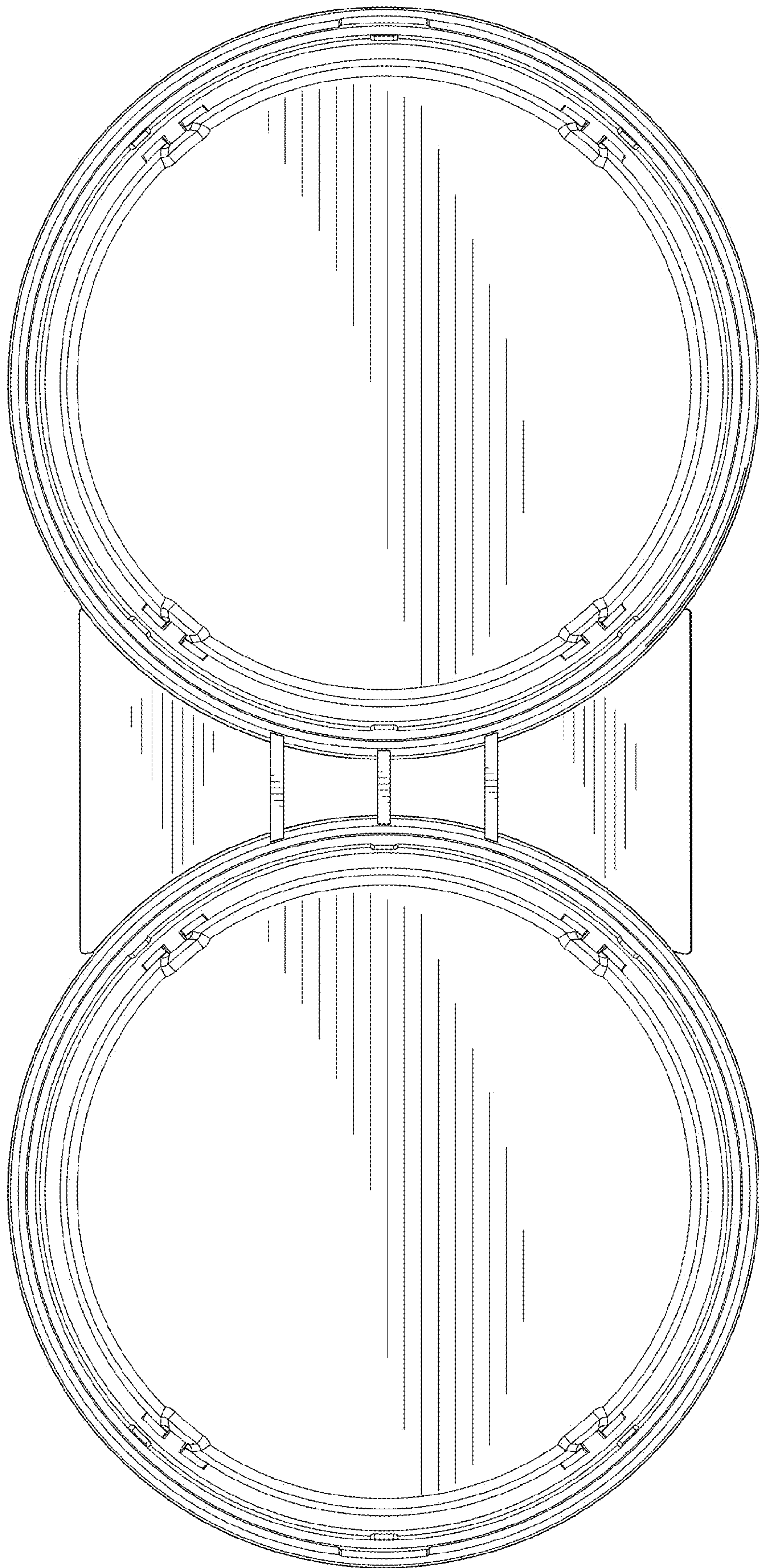


FIG. 29

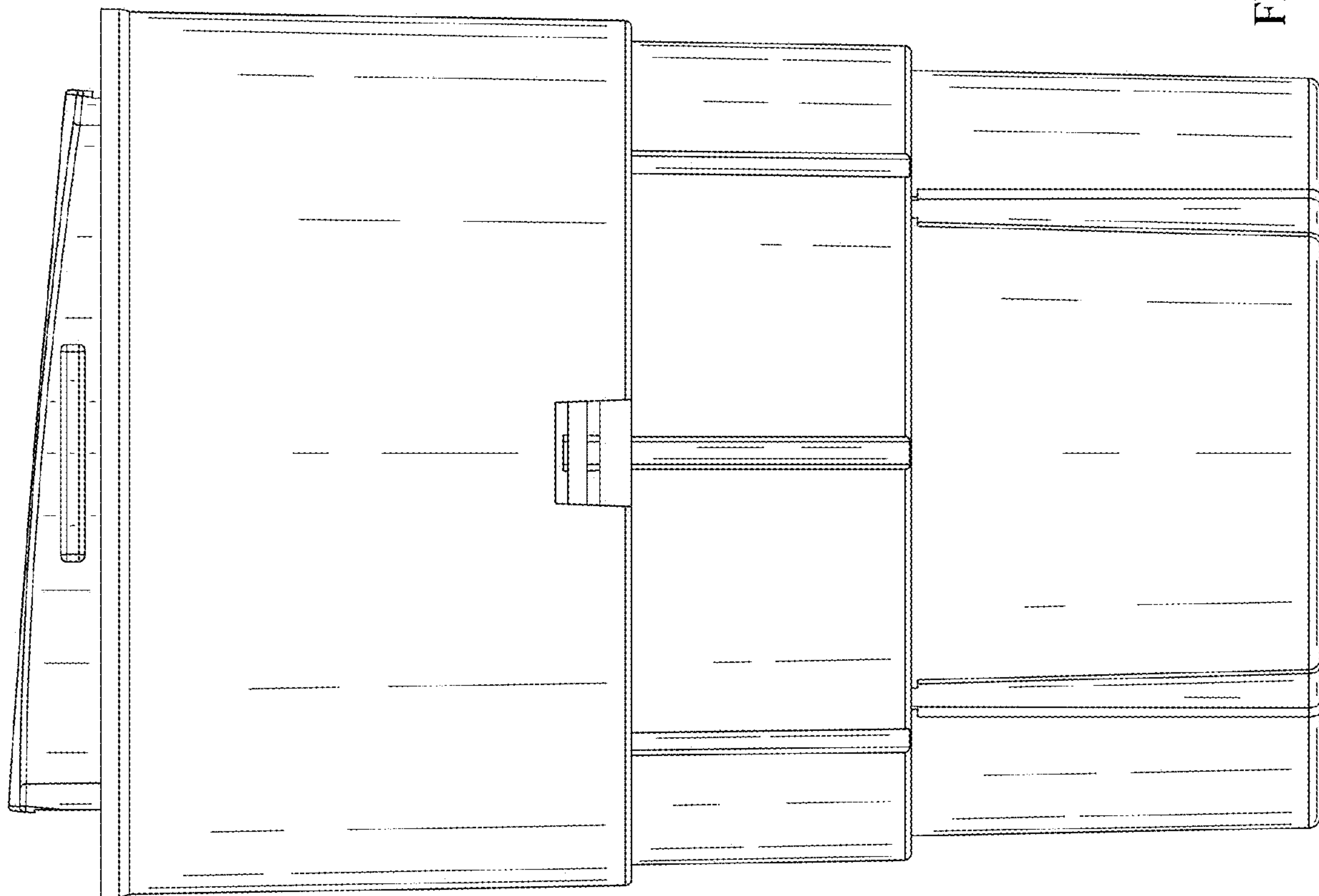


FIG. 30

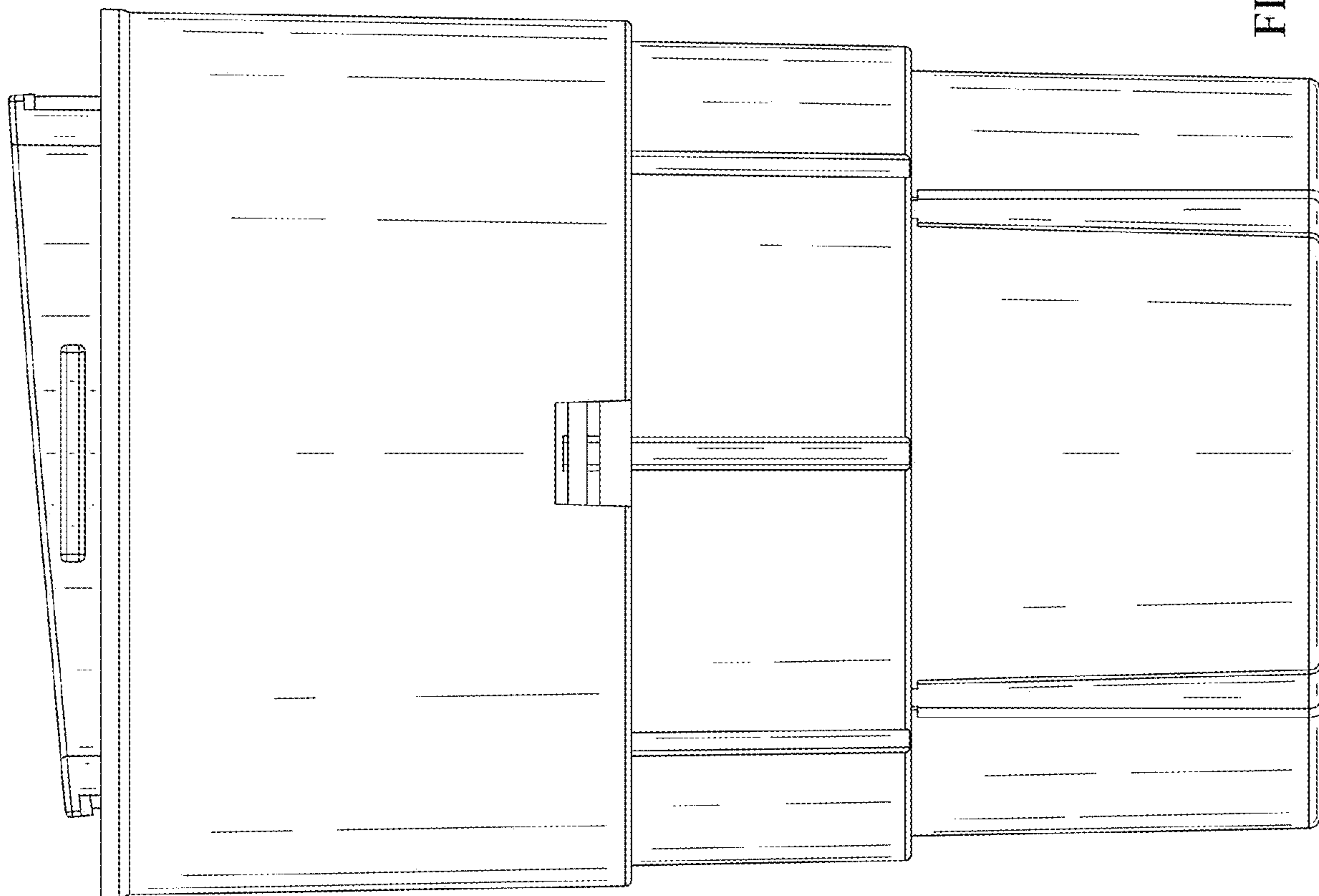


FIG. 31



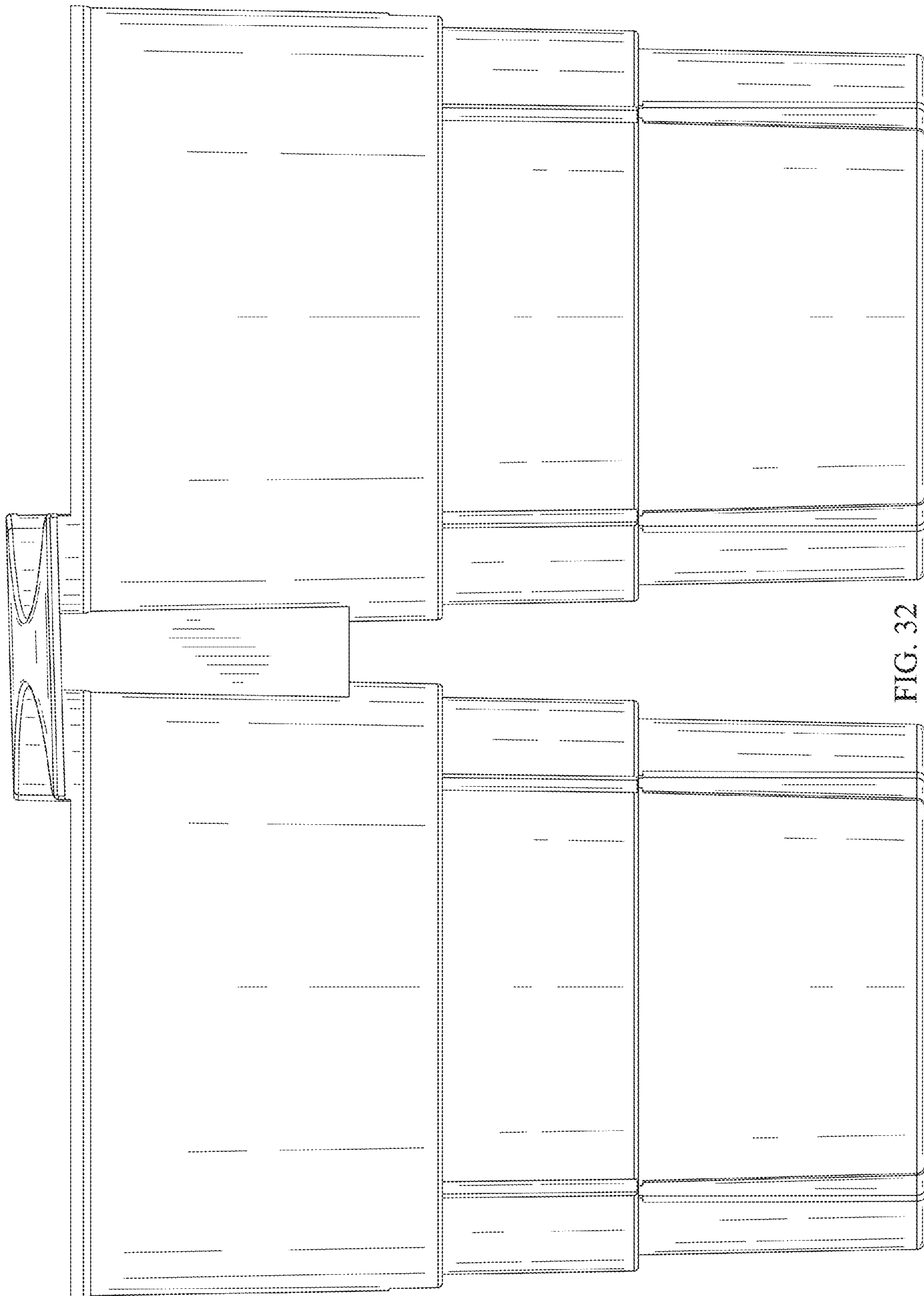


FIG. 32

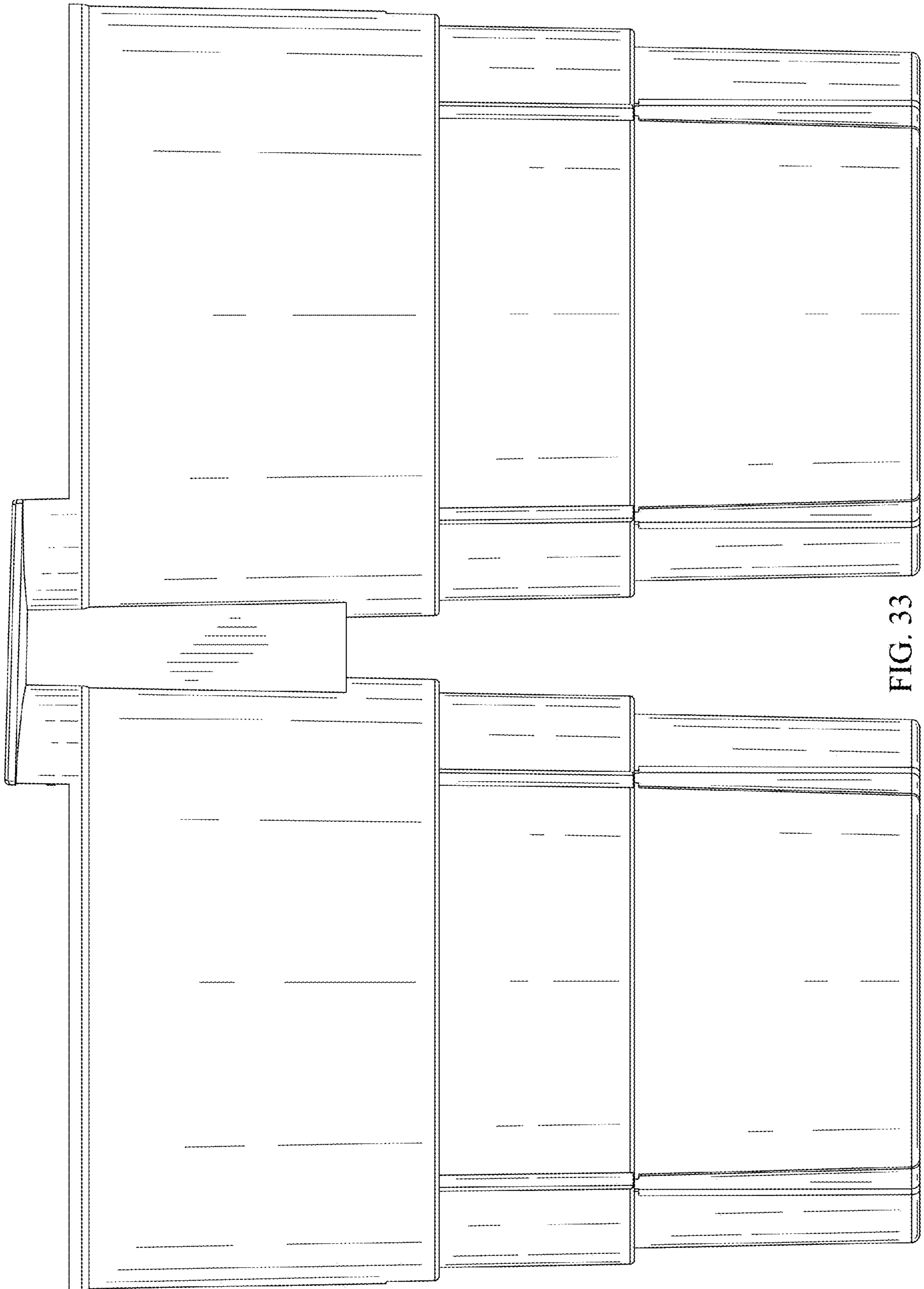


FIG. 33

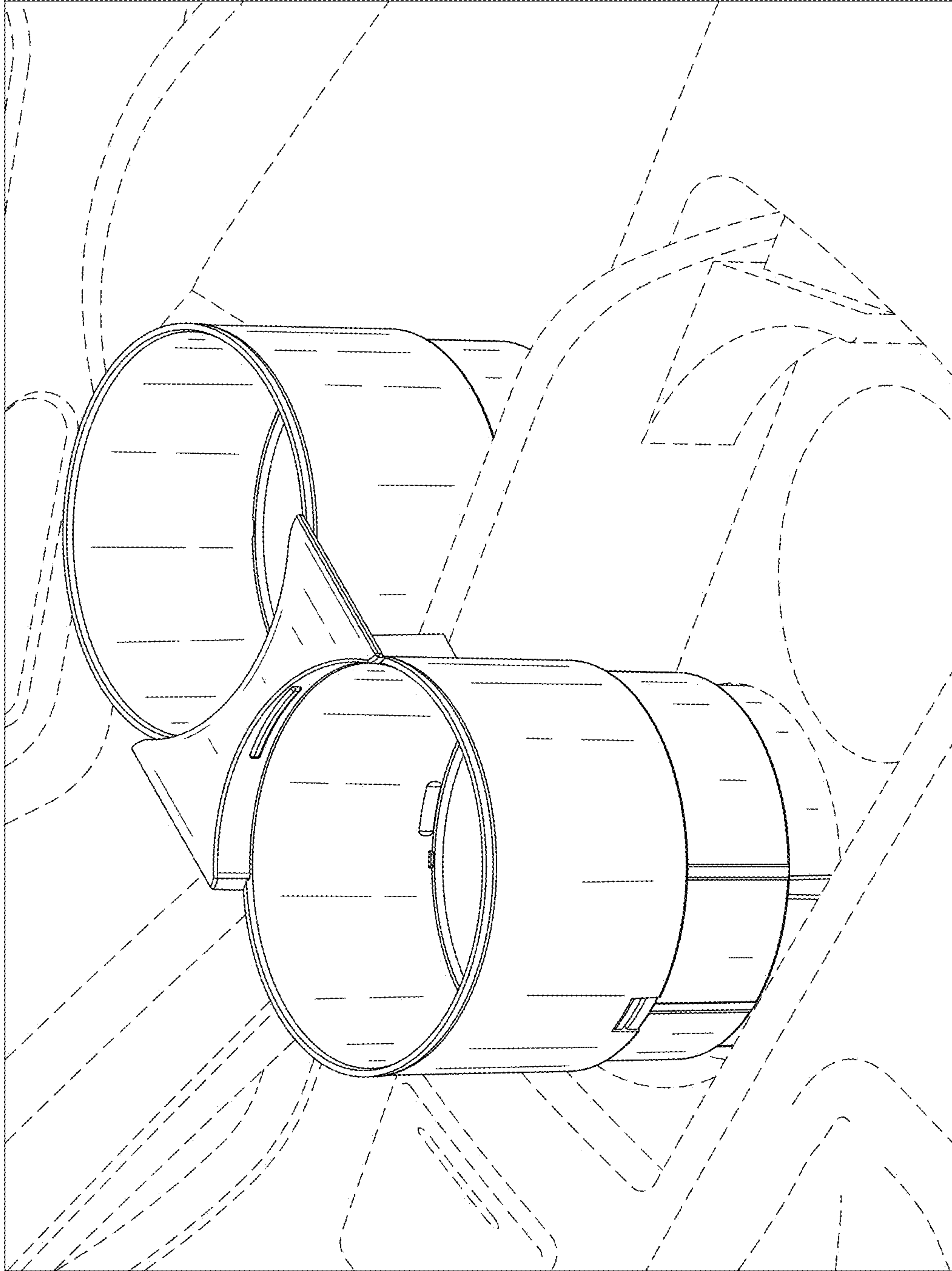


FIG. 34