



US00D980151S

(12) **United States Design Patent** (10) **Patent No.:** **US D980,151 S**
Tirado et al. (45) **Date of Patent:** **** Mar. 7, 2023**

(54) **WHEEL RIM**
(71) Applicants: **Mark Tirado**, Oxnard, CA (US);
Dolores Day, Clayton, CA (US)
(72) Inventors: **Mark Tirado**, Oxnard, CA (US);
Dolores Day, Clayton, CA (US)
(**) Term: **15 Years**
(21) Appl. No.: **29/773,630**
(22) Filed: **Mar. 10, 2021**
(51) **LOC (14) Cl.** **12-16**
(52) **U.S. Cl.**
USPC **D12/209**
(58) **Field of Classification Search**
USPC D12/204–213; D21/563
CPC B60B 7/00; B60B 7/02; B60B 7/04; B60B
7/01; B60B 7/06; B60B 3/02; B60B 3/04;
B60B 3/06; B60B 3/10; B60B 1/00;
B60B 1/08; B60B 1/10; B60B 1/12;
B60B 5/00; B60B 5/02; B60B 21/00;
A63H 17/262
See application file for complete search history.

D828,271 S * 9/2018 Han D12/211
D830,272 S * 10/2018 Aslam D12/211
D836,058 S * 12/2018 Sempek D12/211
D842,185 S * 3/2019 Chung D12/209
D847,718 S * 5/2019 Han D12/209
D857,595 S * 8/2019 Luo D12/211
D865,615 S * 11/2019 Tran D12/209
D875,018 S * 2/2020 Han D12/211
D883,893 S * 5/2020 Johnson D12/211
D889,365 S * 7/2020 Han D12/209
D893,378 S * 8/2020 DiGuglielmo D12/209
D901,353 S * 11/2020 Tran D12/209
D908,069 S * 1/2021 Lee D12/211
D908,577 S * 1/2021 Tran D12/209
D909,272 S * 2/2021 Chung D12/209
D912,591 S * 3/2021 Tran D12/209
D920,879 S * 6/2021 Hale, Jr. D12/209

* cited by examiner

Primary Examiner — Darlington Ly
Assistant Examiner — D. Ryan Tisdale
(74) *Attorney, Agent, or Firm* — Barry Choobin; Patent
360

(57) **CLAIM**

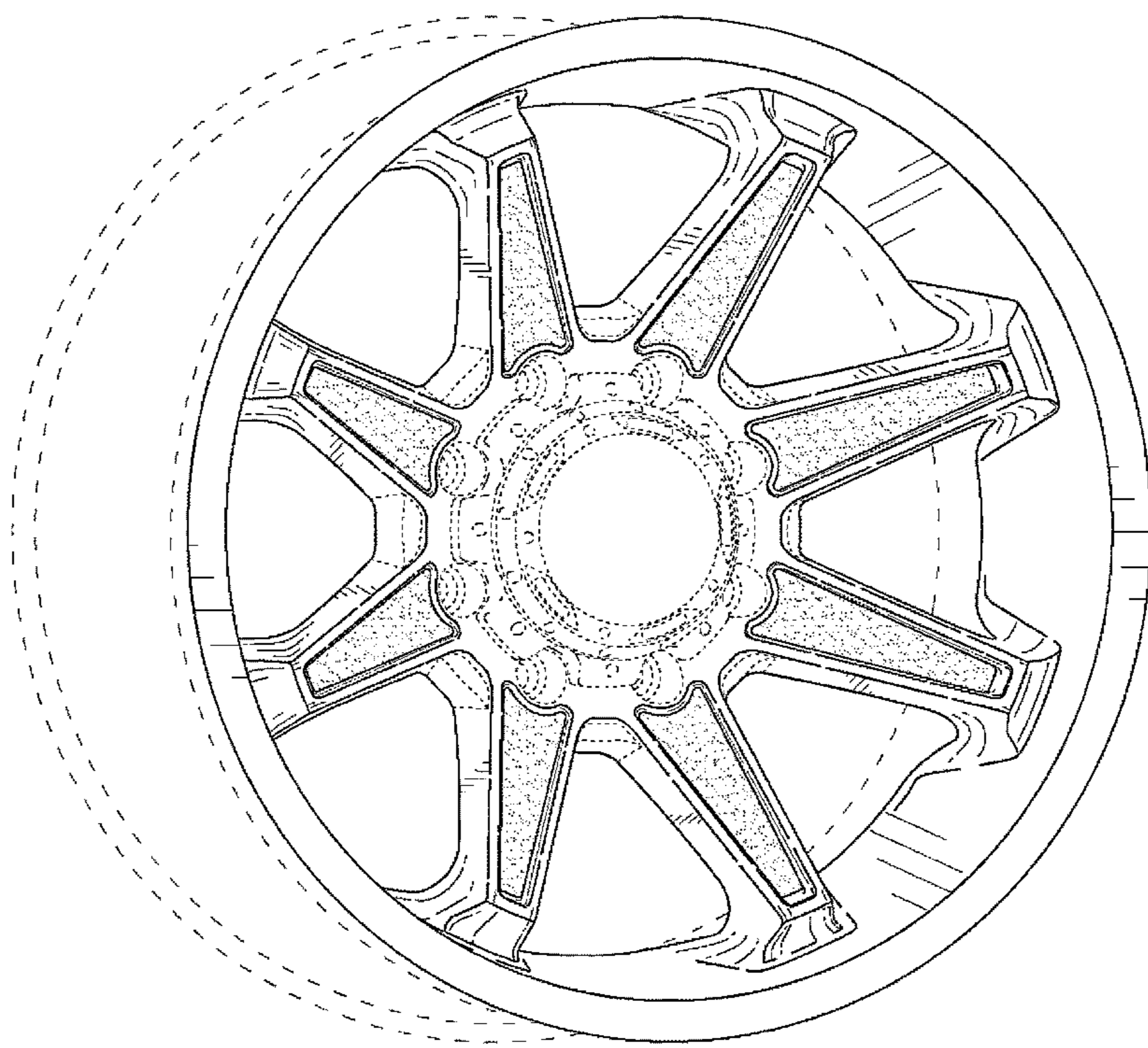
An ornamental design for a wheel rim, as shown and described.

DESCRIPTION

FIG. 1 is a perspective view of the wheel rim, showing our new design;
FIG. 2 is a front view thereof; and,
FIG. 3 is a side view thereof.
The broken lines in the drawings illustrate portions of the wheel rim that form no part of the claimed design.

1 Claim, 3 Drawing Sheets

(56) **References Cited**
U.S. PATENT DOCUMENTS
D751,481 S * 3/2016 Chung D12/209
D751,966 S * 3/2016 Zhao D12/211
D765,574 S * 9/2016 Hale, Jr. D12/211
D766,805 S * 9/2016 Chung D12/211
D780,662 S * 3/2017 Zhao D12/211
D803,753 S * 11/2017 Zhao D12/211
D826,827 S * 8/2018 Tran D12/209



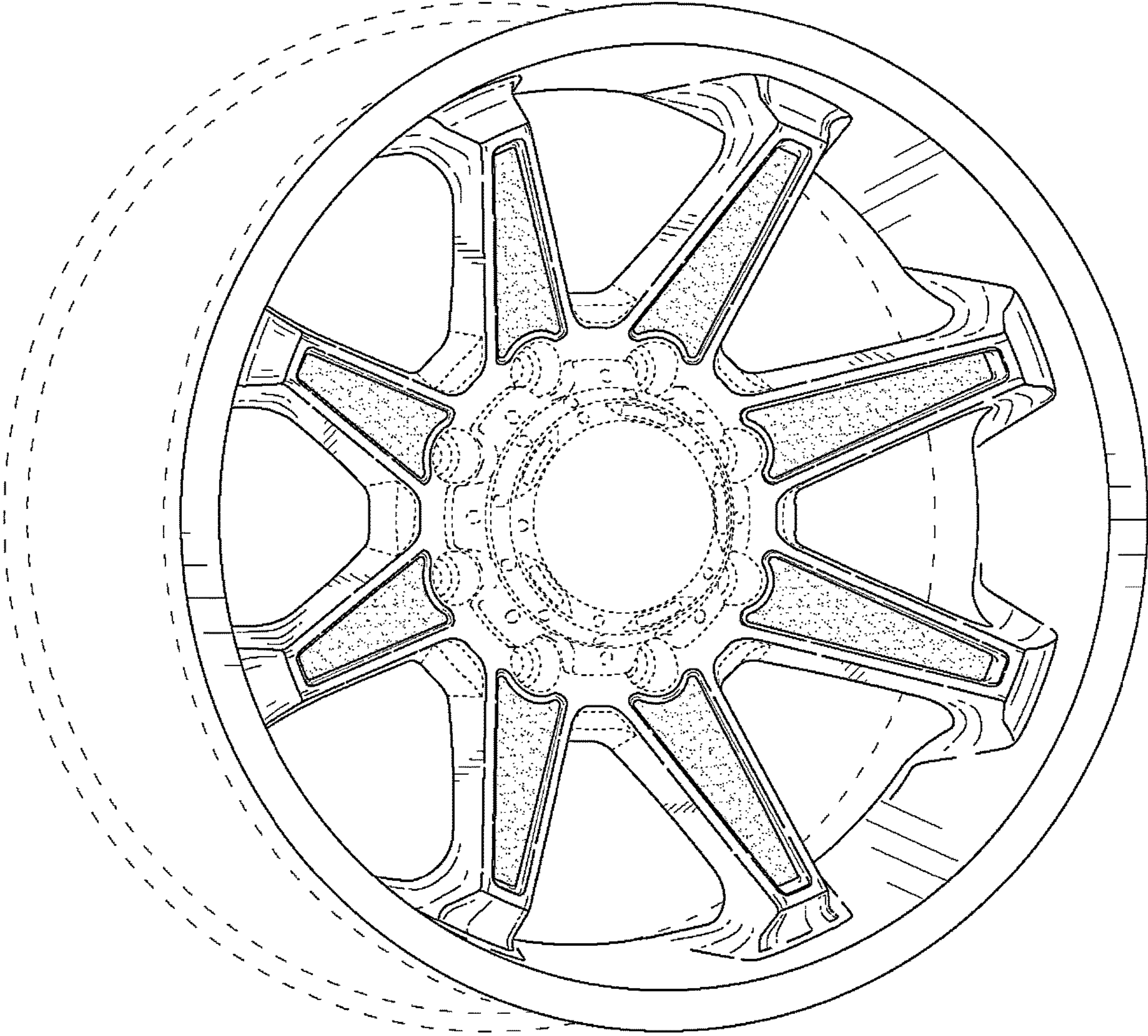


FIG. 1

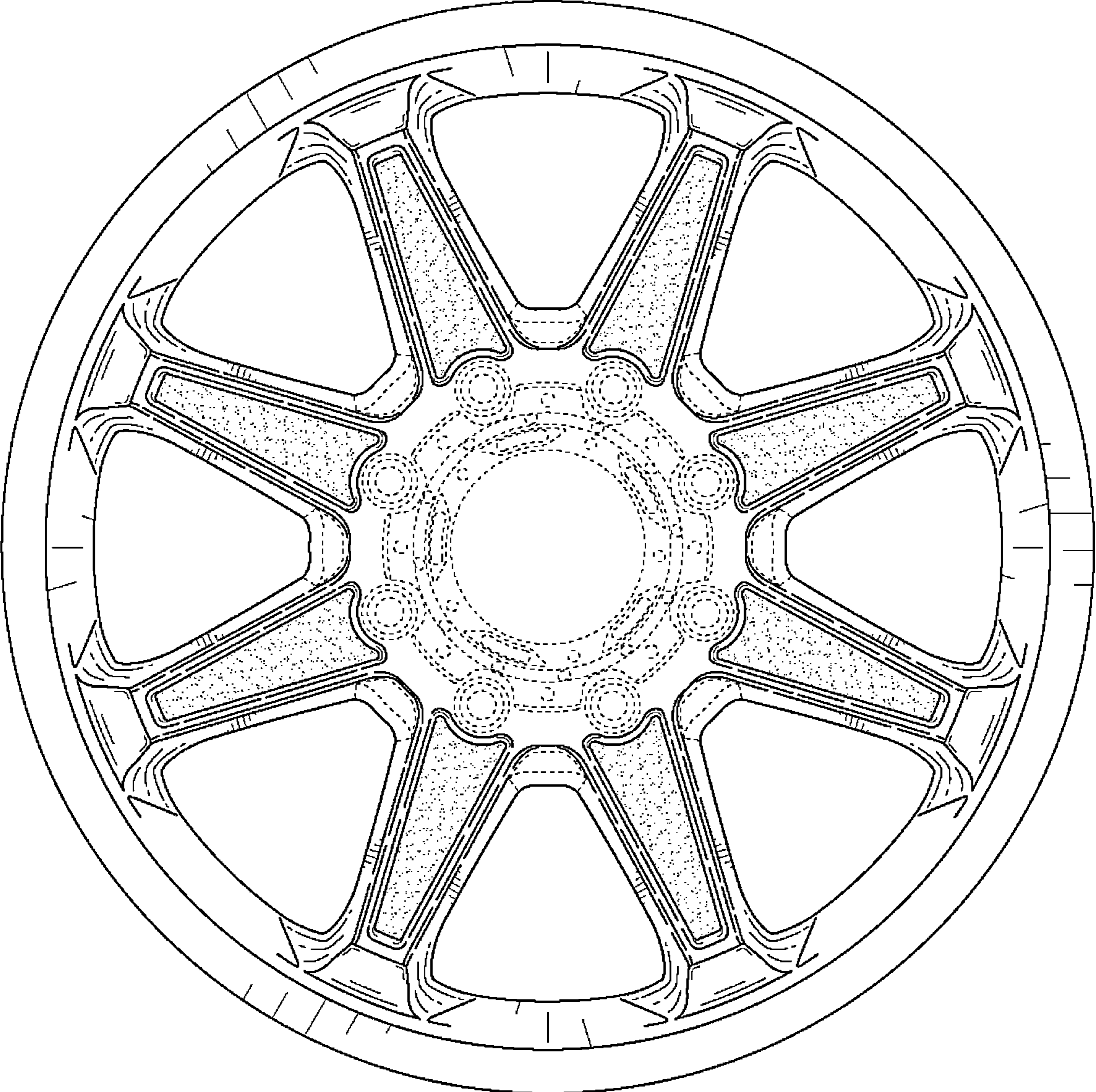


FIG. 2

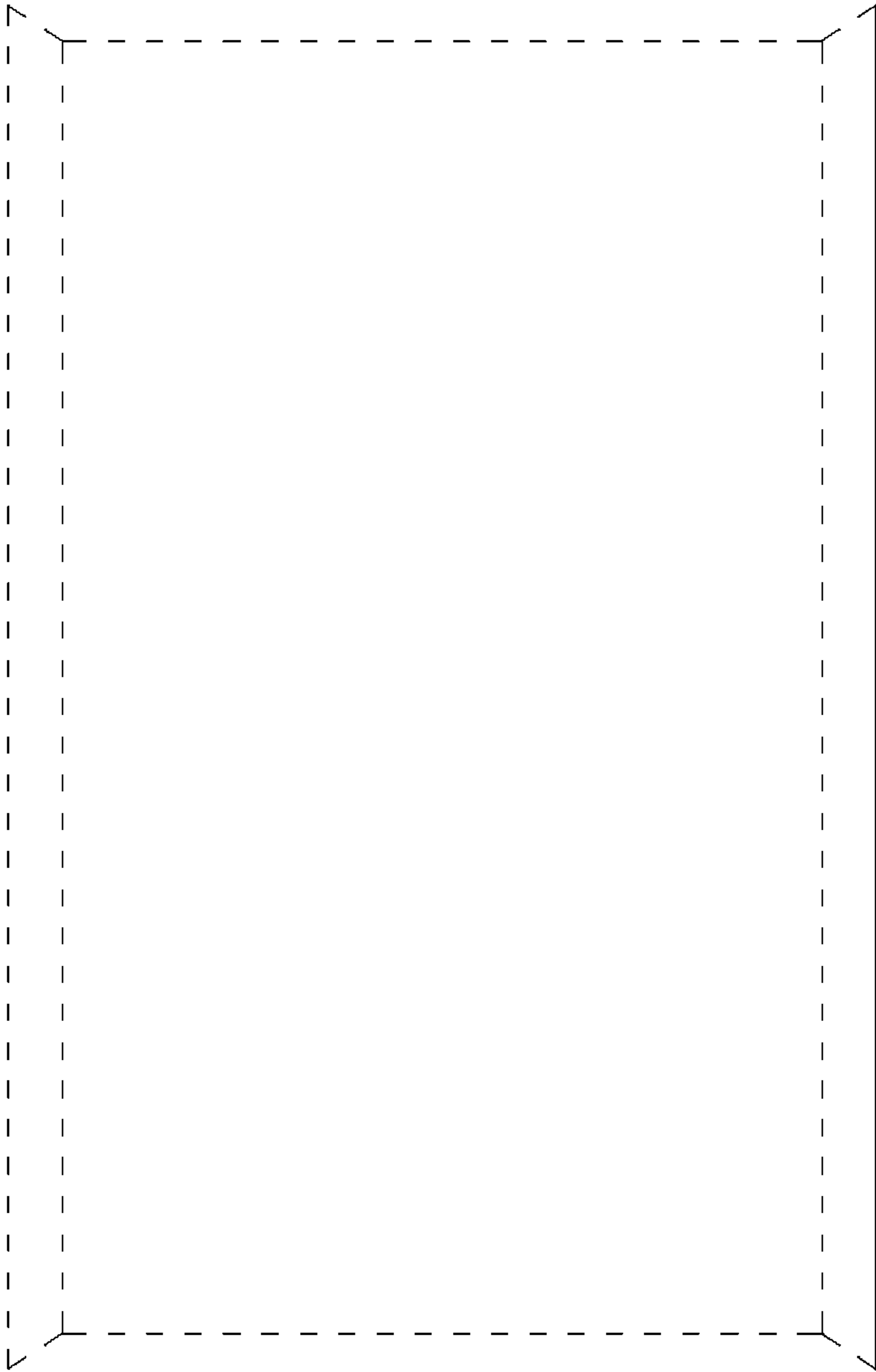


FIG. 3