



US00D980148S

(12) **United States Design Patent**
Celik

(10) **Patent No.:** **US D980,148 S**

(45) **Date of Patent:** **** Mar. 7, 2023**

(54) **WHEEL OR WHEEL COVER**

(71) Applicant: **FORGIATO INC.**, Sun Valley, CA (US)

(72) Inventor: **Norman Celik**, Sun Valley, CA (US)

(73) Assignee: **FORGIATO INC.**, Sun Valley, CA (US)

(**) Term: **15 Years**

(21) Appl. No.: **29/754,590**

(22) Filed: **Oct. 13, 2020**

(51) **LOC (14) Cl.** **12-16**

(52) **U.S. Cl.**
USPC **D12/209**

(58) **Field of Classification Search**
USPC D12/204–213; D21/563
CPC B60B 7/00; B60B 7/02; B60B 7/04; B60B 7/01; B60B 7/06; B60B 3/02; B60B 3/04; B60B 3/06; B60B 3/10; B60B 1/00; B60B 1/08; B60B 1/10; B60B 1/12
See application file for complete search history.

(56) **References Cited**

U.S. PATENT DOCUMENTS

D461,758 S * 8/2002 Takechi D12/211
D614,108 S * 4/2010 Varga D12/211

D642,967 S * 8/2011 Lamm D12/209
D744,401 S * 12/2015 Back D12/209
D824,309 S * 7/2018 Oh D12/209
D845,862 S * 4/2019 Kong D12/209
D862,343 S * 10/2019 He D12/209
D863,192 S * 10/2019 Flores D12/209
D883,171 S * 5/2020 Goodrich D12/209
D893,379 S * 8/2020 Wheel D12/209
D896,721 S * 9/2020 Lee D12/209
D911,900 S * 3/2021 Han D12/209
D927,397 S * 8/2021 Lee D12/211

* cited by examiner

Primary Examiner — Calvin E Vansant

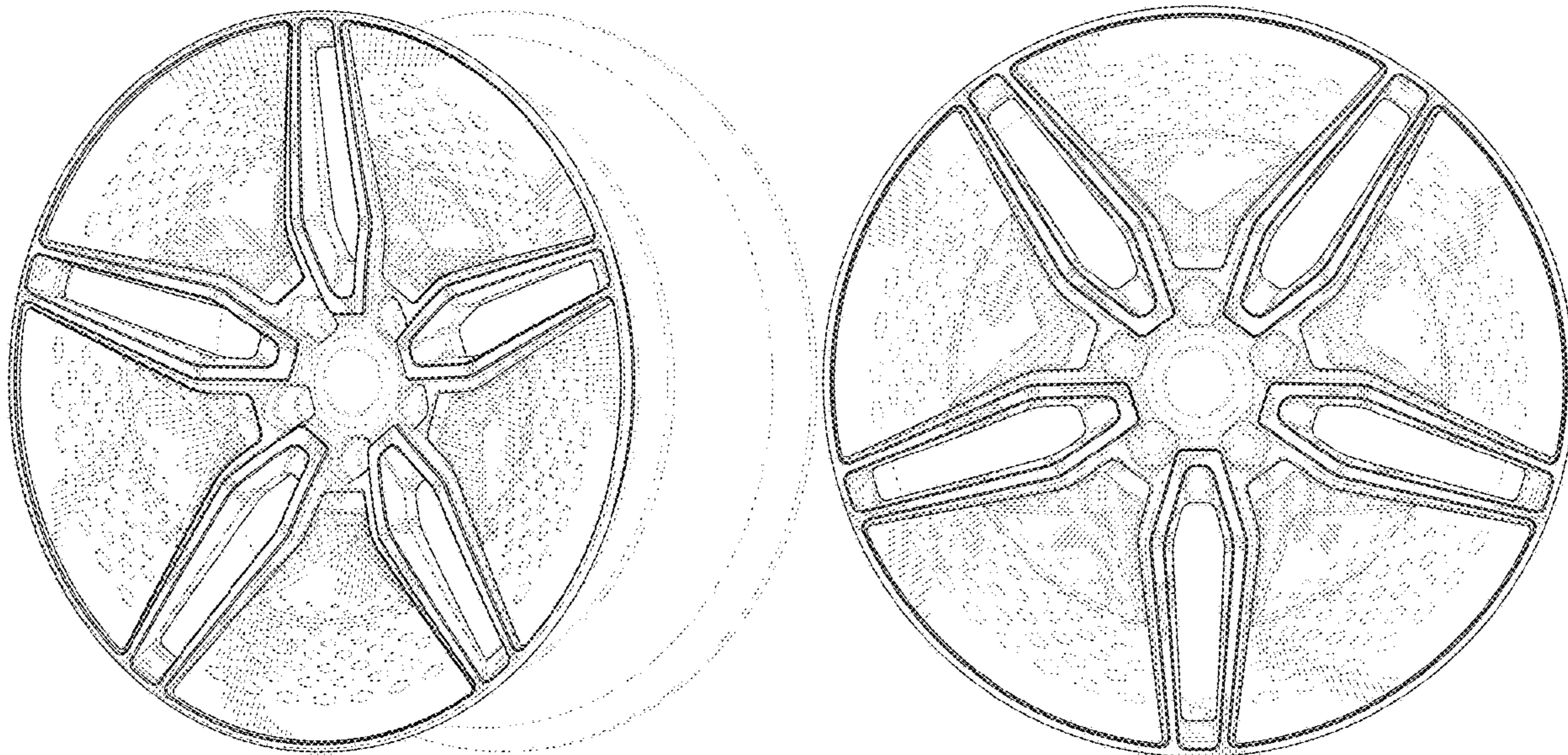
(57) **CLAIM**

The ornamental design for a wheel or wheel cover, as shown and described.

DESCRIPTION

FIG. 1 is a perspective view of a wheel or wheel cover according to the design; and, FIG. 2 is a front view thereof. The broken lines in the drawings illustrate environmental subject matter only and form no part of the claimed design.

1 Claim, 2 Drawing Sheets



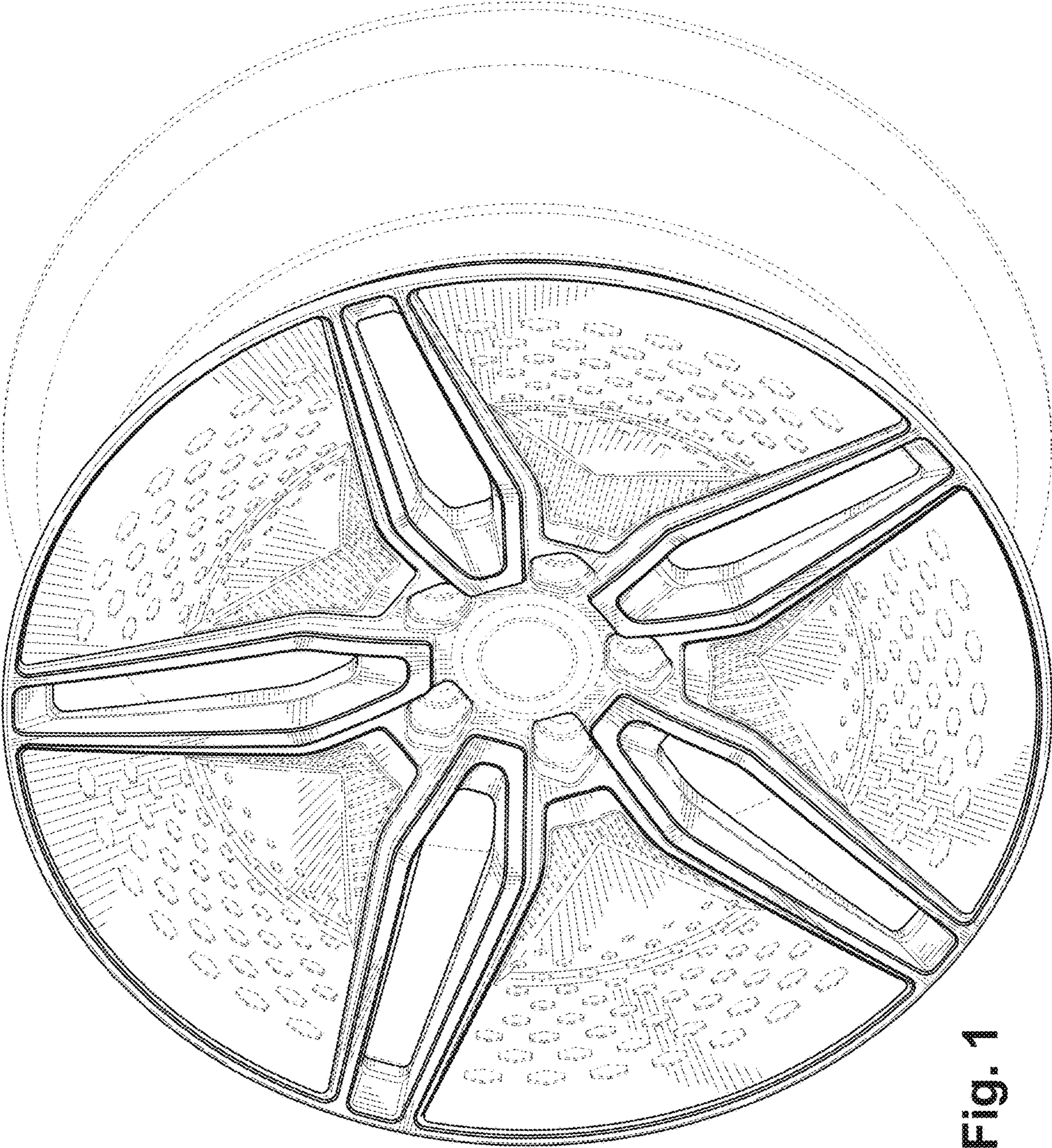


Fig. 1

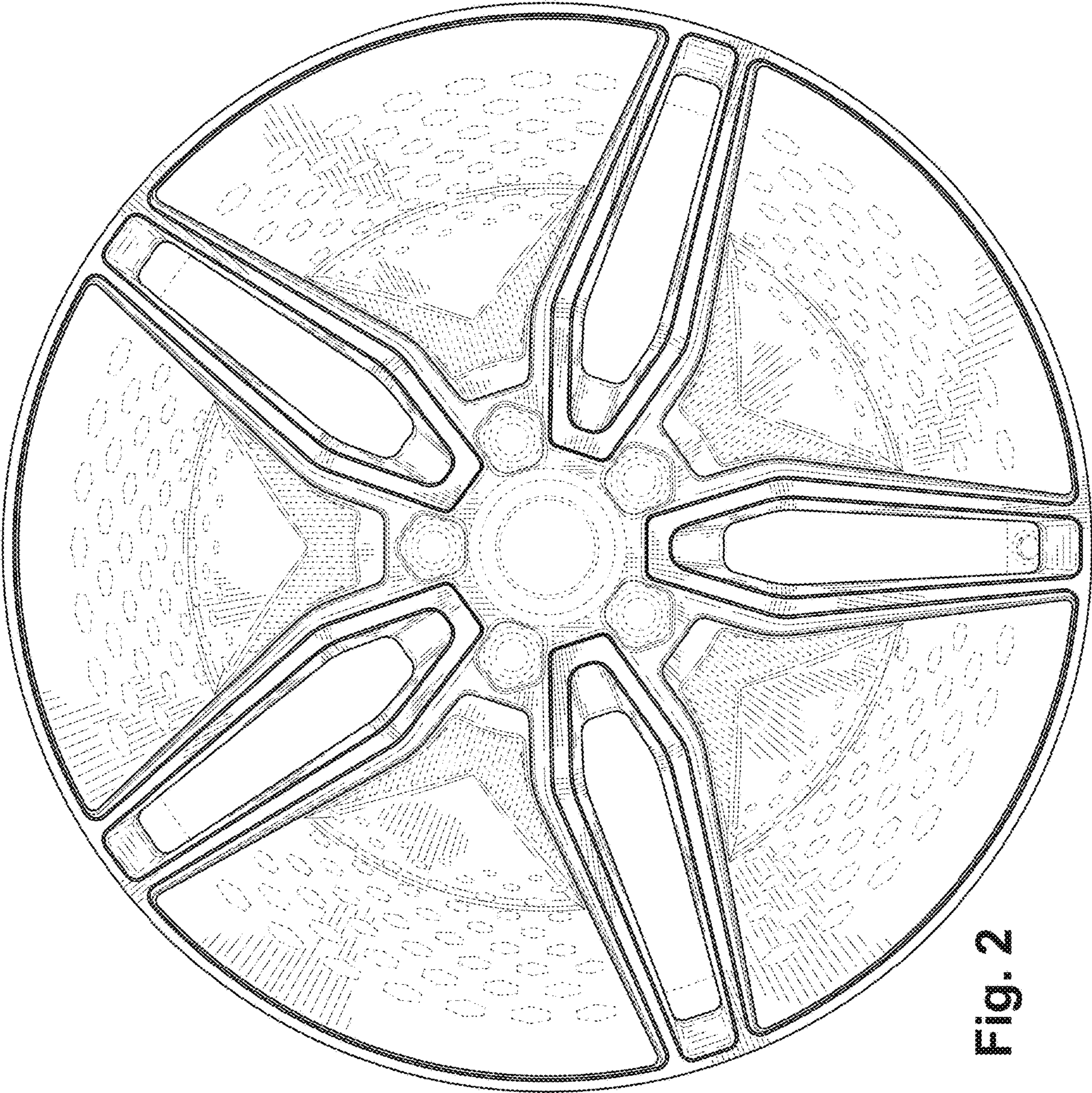


Fig. 2