



US00D980143S

(12) **United States Design Patent** (10) **Patent No.:** **US D980,143 S**  
**Marrs et al.** (45) **Date of Patent:** **\*\* Mar. 7, 2023**

- (54) **A-PILLAR DEFLECTOR**
- (71) Applicant: **PACCAR Inc**, Bellevue, WA (US)
- (72) Inventors: **Marissa Marrs**, Denton, TX (US);  
**Jeffrey Paul Smith**, Prosper, TX (US);  
**John P. Jensen**, Sanger, TX (US)
- (73) Assignee: **PACCAR Inc**, Bellevue, WA (US)
- (\*\*) Term: **15 Years**
- (21) Appl. No.: **29/753,018**
- (22) Filed: **Sep. 29, 2020**
- (51) **LOC (14) Cl.** ..... **12-16**
- (52) **U.S. Cl.**  
USPC ..... **D12/181**
- (58) **Field of Classification Search**  
USPC ..... D12/181-184, 190, 191, 400  
CPC ..... B62D 35/00; B62D 35/007; B62D 37/02  
See application file for complete search history.

(56) **References Cited**

U.S. PATENT DOCUMENTS

D715,205 S	10/2014	Conway et al.	
D808,316 S *	1/2018	Piscitelli	D12/163
D818,890 S *	5/2018	Beermann	D12/163
D827,532 S *	9/2018	Maher	D12/190
D842,767 S *	3/2019	Hjorten	D12/163
D843,619 S *	3/2019	Thomas	D26/28
D878,986 S *	3/2020	Smith	D12/181
D894,067 S *	8/2020	Pereira	D12/181
D894,068 S *	8/2020	Smith	D12/181
D901,346 S *	11/2020	Burki	D12/181
D903,557 S *	12/2020	Pereira	D12/181
D916,636 S *	4/2021	Grand	D12/190

(Continued)

OTHER PUBLICATIONS

“T800,” Kenworth Truck Company, 2002, 32-page brochure.

(Continued)

*Primary Examiner* — Katrina A Betton  
(74) *Attorney, Agent, or Firm* — Seed IP Law Group LLP

(57) **CLAIM**

The ornamental design for an A-pillar deflector, as shown and described.

**DESCRIPTION**

FIG. 1 is a perspective view of an A-pillar deflector, showing an embodiment of our new design with surrounding environment.

FIG. 2 is another perspective view thereof.

FIG. 3 is an isometric view thereof without the surrounding environment.

FIG. 4 is a front elevational view thereof.

FIG. 5 is a rear elevational view thereof.

FIG. 6 is a left side elevational view thereof.

FIG. 7 is a right side elevational view thereof.

FIG. 8 is a top plan view thereof.

FIG. 9 is a bottom plan view thereof.

FIG. 10 is a perspective view of an A-pillar deflector, showing another embodiment of our new design with surrounding environment, which is a mirror image of the A-pillar deflector shown in FIGS. 1-9.

FIG. 11 is another perspective view thereof.

FIG. 12 is an isometric view thereof without the surrounding environment.

FIG. 13 is a front elevational view thereof.

FIG. 14 is a rear elevational view thereof.

FIG. 15 is a left side elevational view thereof.

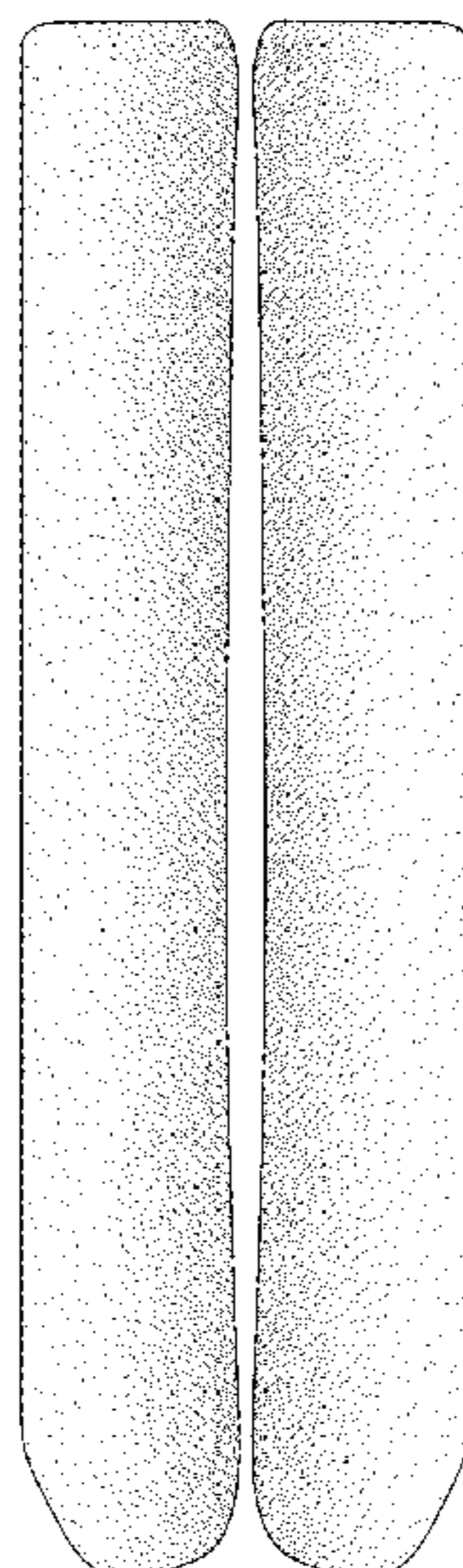
FIG. 16 is a right side elevational view thereof.

FIG. 17 is a top plan view thereof; and,

FIG. 18 is a bottom plan view thereof.

Stippling in the drawings represent the three-dimensional contours of the design, and is not intended to indicate surface decoration. The broken lines shown in the drawings depict portions of the A-pillar deflector that form no part of the claimed design.

**1 Claim, 18 Drawing Sheets**



(56)

**References Cited**

U.S. PATENT DOCUMENTS

D934,142 S \* 10/2021 Bernardi ..... D12/190  
 2008/0036222 A1 \* 2/2008 Iwamoto ..... F01N 13/20  
 293/113

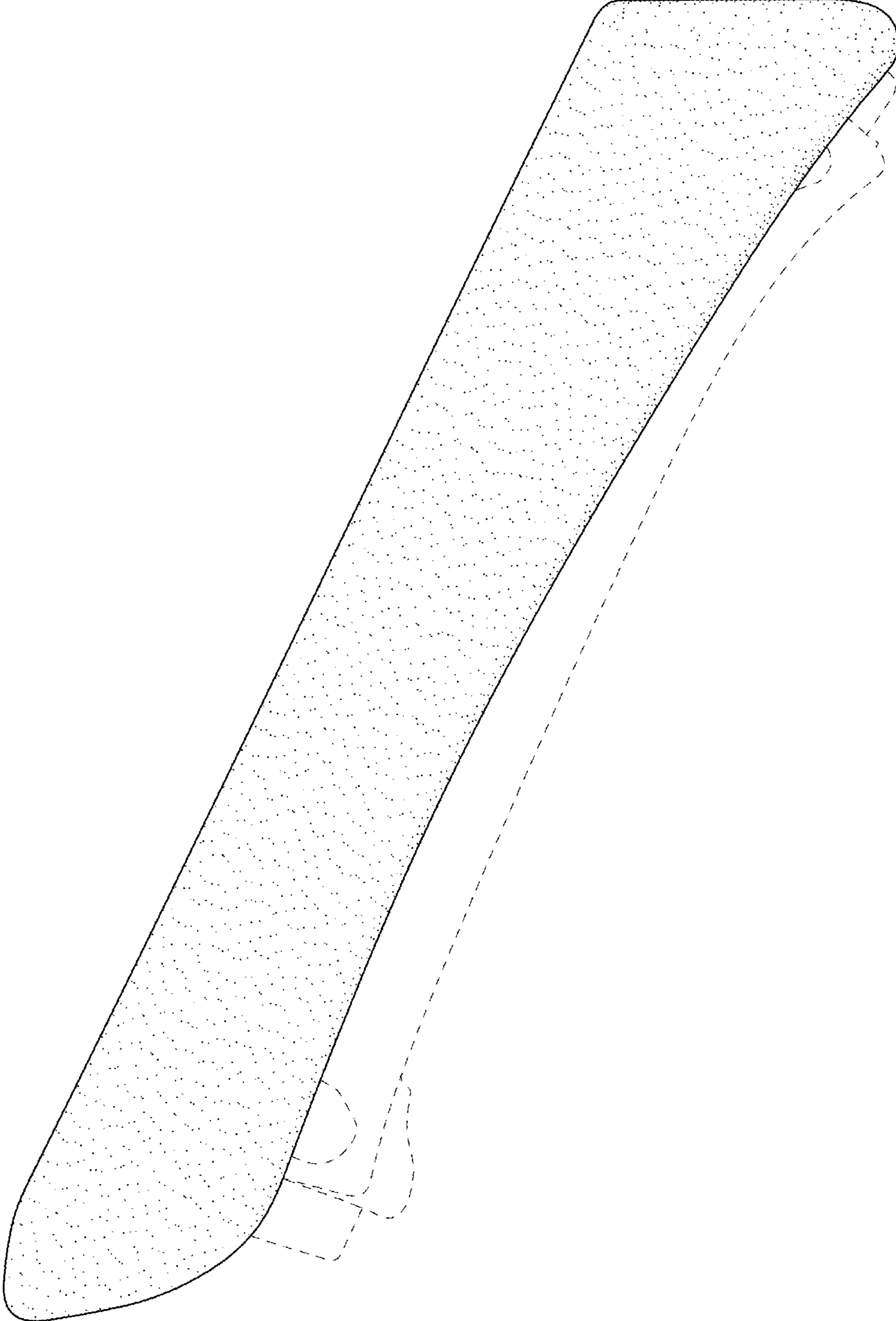
OTHER PUBLICATIONS

“T800,” Kenworth Truck Company, 2003, 32-page brochure.  
 “T800,” Kenworth Truck Company, 2005, 28-page brochure.  
 “T800,” Kenworth Truck Company, 2009, 28-page brochure.  
 “T800B,” Kenworth Truck Company, 1993, 8-page brochure.  
 Peterbilt Motors Company, “The Working Class,” Sep. 1976, 6-page brochure.  
 “The World’s Best,” Kenworth Truck Company, 1992, 12-page brochure.  
 “W900,” Kenworth Truck Company, 1996, 7-page brochure.  
 “W900,” Kenworth Truck Company, 2002, 32-page brochure.  
 “W900,” Kenworth Truck Company, 2005, 28-page brochure.  
 “W900,” Kenworth Truck Company, 2009, 28-page brochure.  
 Kenworth Truck Company, “W900L AeroCab,” 1994, 2-page brochure.  
 Kenworth Truck Company, “AeroCab,” 1993, 5-page brochure.  
 “AeroCab,” Kenworth Truck Company, as early as 1995, 3-page brochure.  
 “C500B,” Kenworth Truck Company, as early as 1990, 4-page brochure.  
 Peterbilt Motors Company, “Class Pays, Medium Duty,” Sep. 2000, 12-page brochure.  
 “Class Pays, Truck Models,” Peterbilt Motors Company, Mar. 2005, 24-page brochure.  
 “Class Pays,” Peterbilt Motors Company, Nov. 1998, 10-page brochure.  
 Peterbilt Motors Company, “Class Pays,” Sep. 1997, 10-page brochure.  
 “Class Pays, Construction Trucks,” Peterbilt Motors Company, Nov. 2003, 16-page brochure.  
 “Kenworth Truck Models,” Kenworth Truck Company, 2010, 16-page brochure.  
 Peterbilt Motors Company, “Model 330,” Oct. 1997, 3-page brochure.  
 Peterbilt Motors Company, “Model 379,” Apr. 2005, 2-page brochure.  
 Peterbilt Motors Company, “Model 379,” Mar. 1996, 5-page brochure.

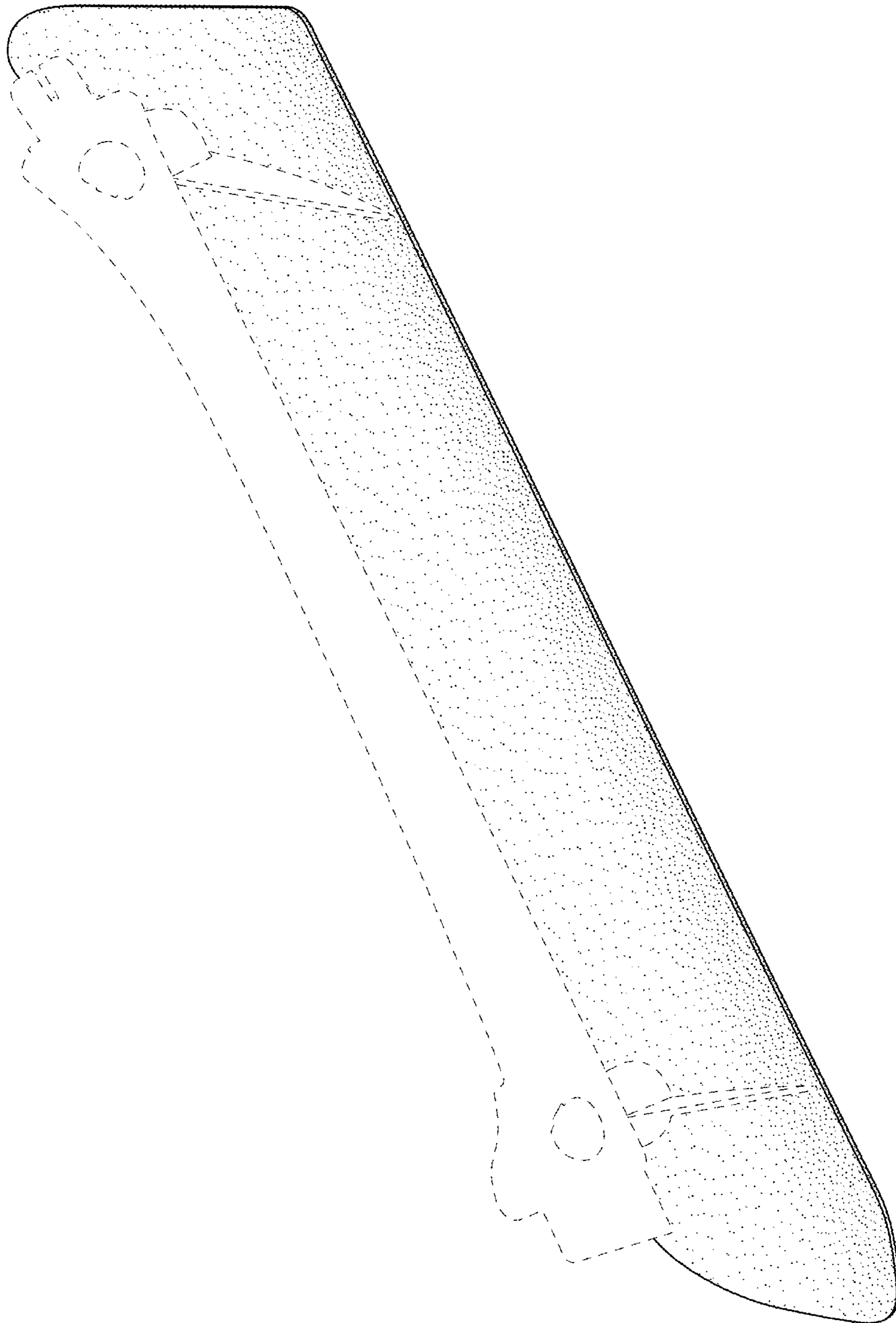
Peterbilt Motors Company, “Rest with Class,” Apr. 1978, 4-page brochure.  
 “T170 Class 5,” Kenworth Truck Company, 2008, 4-page brochure.  
 “T270 Class 6 and T370 Class 7,” Kenworth Truck Company, 2008, 6-page brochure.  
 “T270 Class 6 and T3 70 Class 7,” Kenworth Truck Company, 2009, 6-page brochure.  
 “T270 Class 6 and T3 70 Class 7 Hybrid,” Kenworth Truck Company, 2009, 6-page brochure.  
 “T680,” Kenworth Truck Company, 2013, 34-page brochure.  
 “T680,” Kenworth Truck Company, 2016, 34-page brochure.  
 “T880,” Kenworth Truck Company, 2017, 32-page brochure.  
 “Model 579,” Peterbilt Motors Company, Oct. 2013, 13-page brochure.  
 “Medium Duty,” Peterbilt Motors Company, 2013, 9-page brochure.  
 “On-Highway,” Peterbilt Motors Company, 2013, 13-page brochure.  
 “Vocational,” Peterbilt Motors Company, 2013, 11-page brochure.  
 “T440,” Kenworth Truck Company, 2010, 6-page brochure.  
 “T470,” Kenworth Truck Company, 2010, 6-page brochure.  
 “T470H,” Kenworth Truck Company, 2009, 2-page brochure.  
 “Model 220,” Peterbilt Motors Company, 2019, 2-page brochure.  
 “220EV,” Peterbilt Motors Company, 2020, 5-page brochure.  
 “Model 337,” Peterbilt Motors Company, 2020, 2-page brochure.  
 “Model 389,” Peterbilt Motors Company, 2019, 2-page brochure.  
 “Model 348,” Peterbilt Motors Company, 2019, 2-page brochure.  
 “Model 520,” Peterbilt Motors Company, 2019, 2-page brochure.  
 “Model 567,” Peterbilt Motors Company, 2020, 16-page brochure.  
 “567 Heritage,” Peterbilt Motors Company, 2017, 2-page brochure.  
 “Model 579,” Peterbilt Motors Company, 2019, 28-page brochure.  
 “C500,” Kenworth Truck Company, 2012, 2-page brochure.  
 “T680,” Kenworth Truck Company, 2019, 40-page brochure.  
 “T800,” Kenworth Truck Company, 2012, 28-page brochure.  
 “T440/T470,” Kenworth Truck Company, 2015, 8-page brochure.  
 “K270E/K370E,” Kenworth Truck Company, 2020, 4-page brochure.  
 “T170/T270/T370,” Kenworth Truck Company, 2019, 16-page brochure.  
 “K270/K370,” Kenworth Truck Company, 2014, 12-page brochure.  
 “W990,” Kenworth Truck Company, 2018, 32-page brochure.  
 “T880,” Kenworth Truck Company, 2019, 36-page brochure.  
 “Model 367,” Peterbilt Motors Company, <https://www.peterbilt.com/trucks/vocational/model-367>, retrieved Nov. 20, 2020, 12 pages.  
 “Model 365,” Peterbilt Motors Company, <https://www.peterbilt.com/trucks/vocational/model-365>, retrieved Nov. 20, 2020, 11 pages.  
 “Model 325,” Peterbilt Motors Company, <https://www.peterbilt.com/trucks/medium-duty/model-325>, retrieved Nov. 20, 2020, 12 pages.

\* cited by examiner

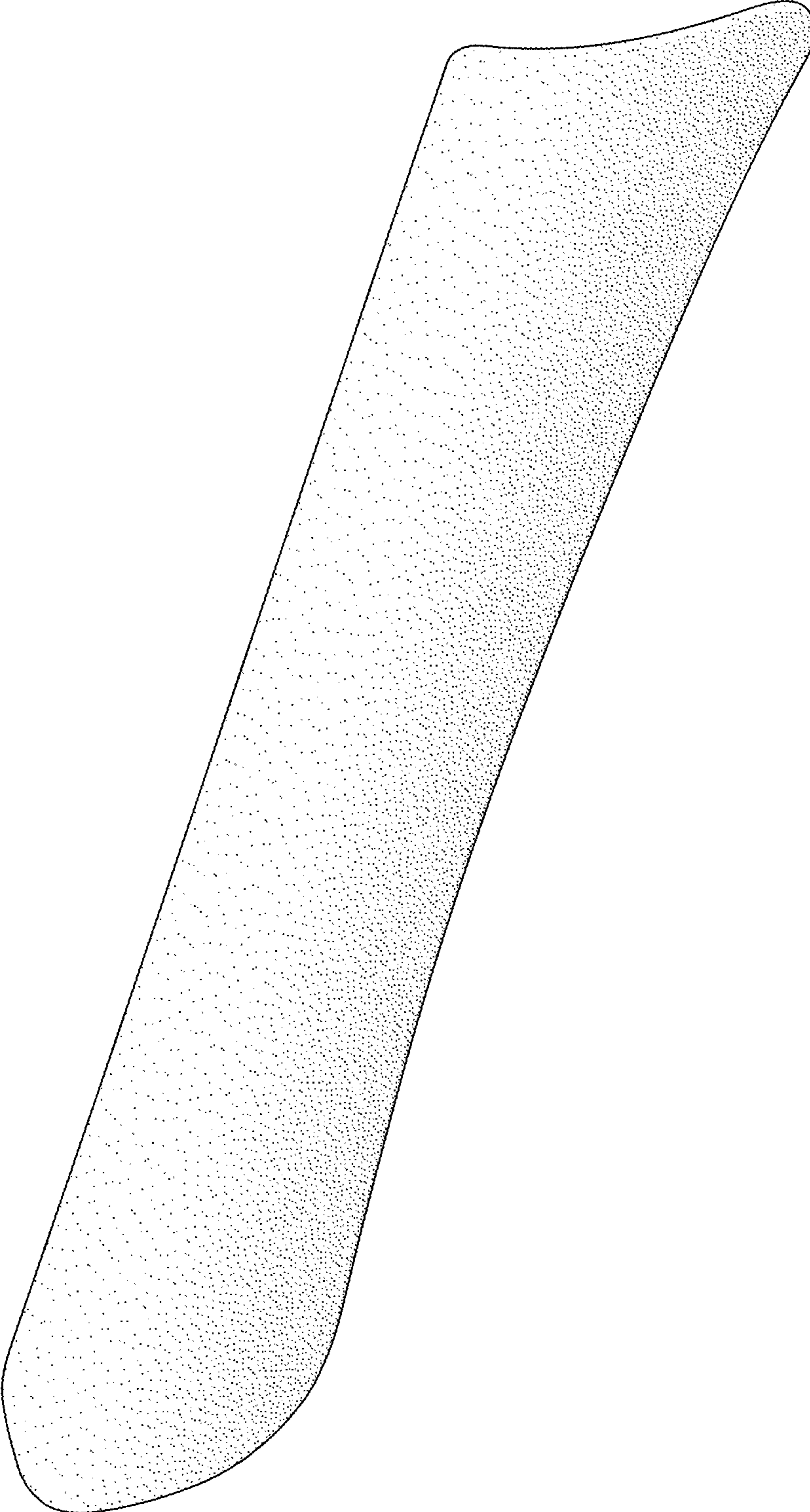




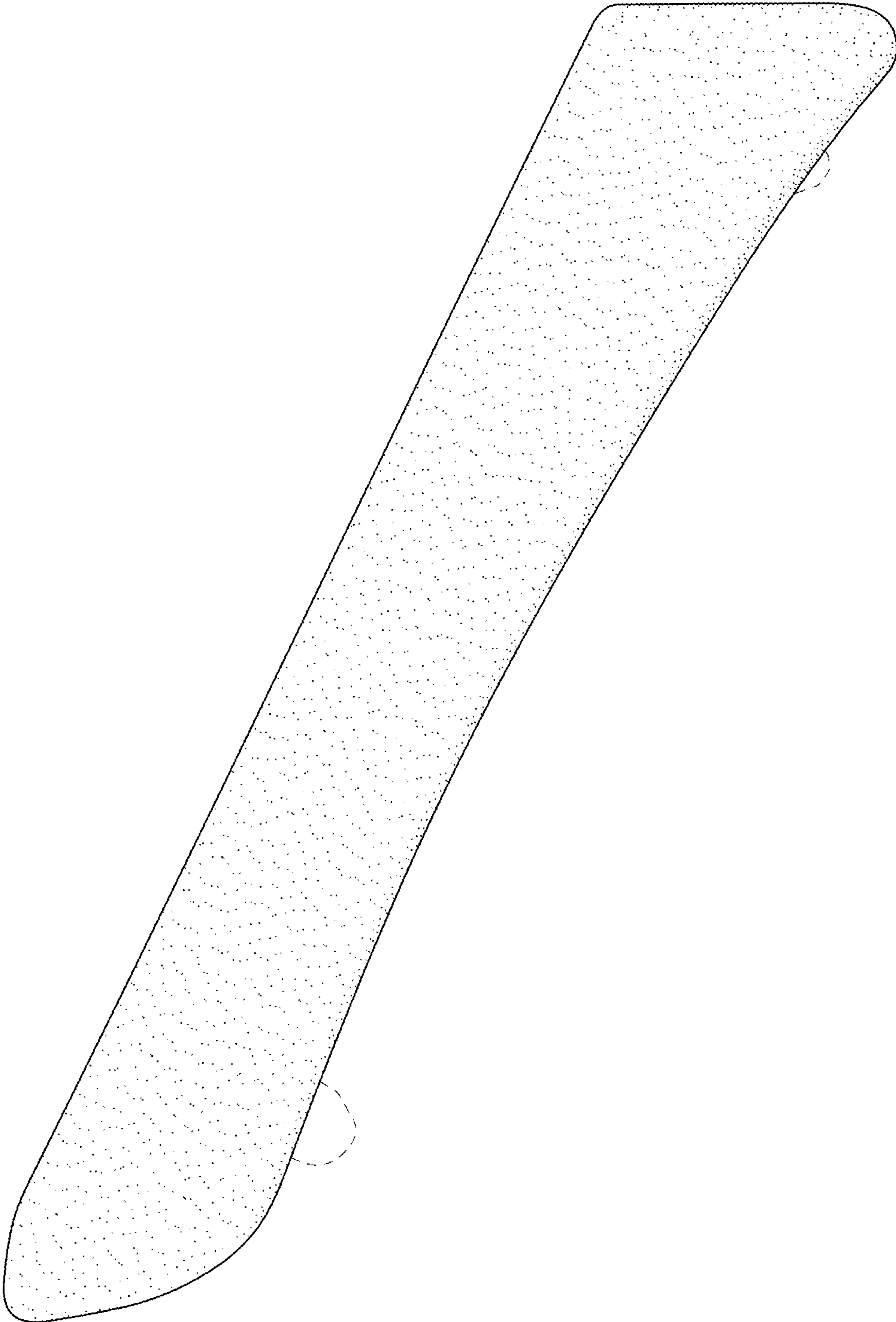
**FIG. 1**



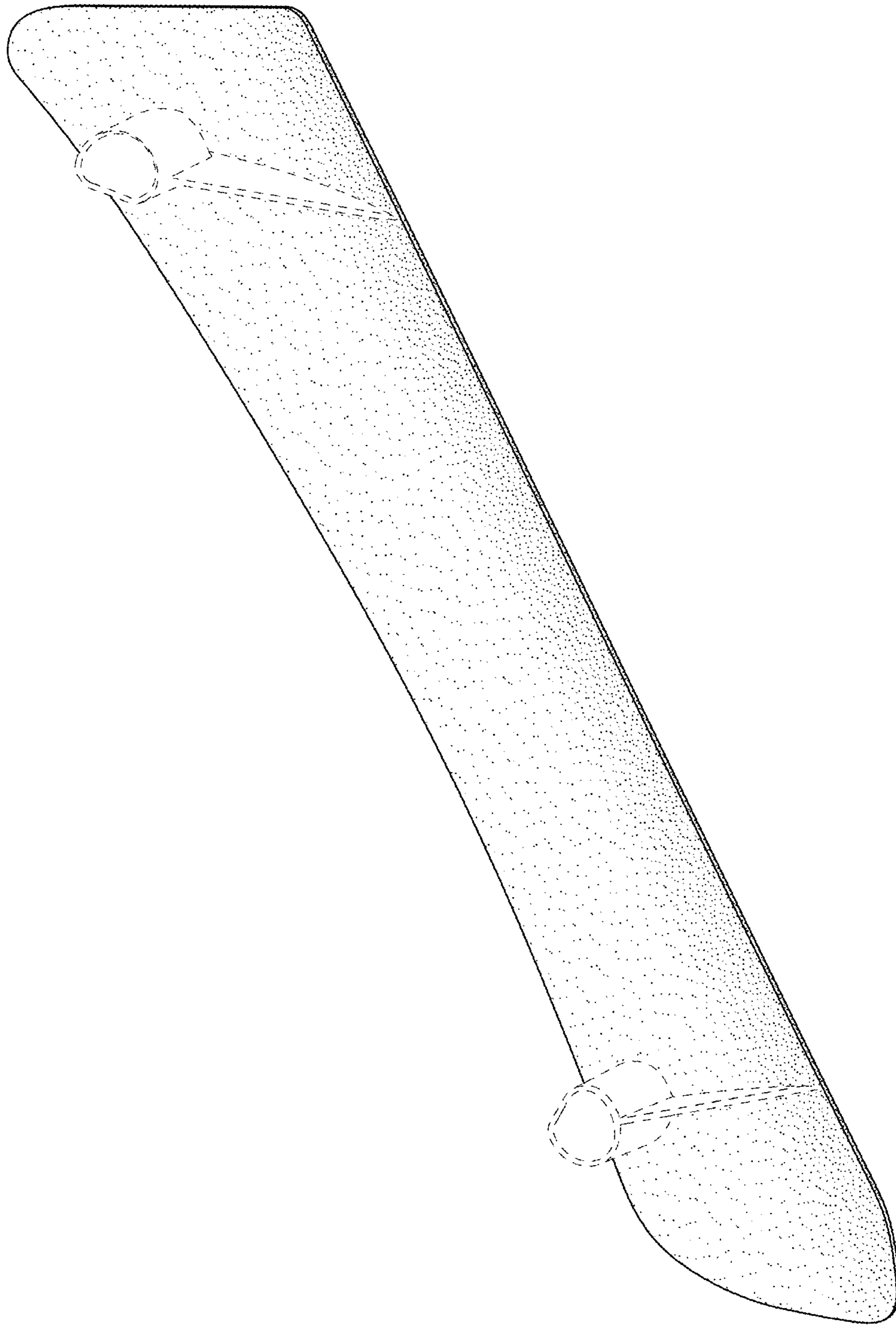
***FIG. 2***



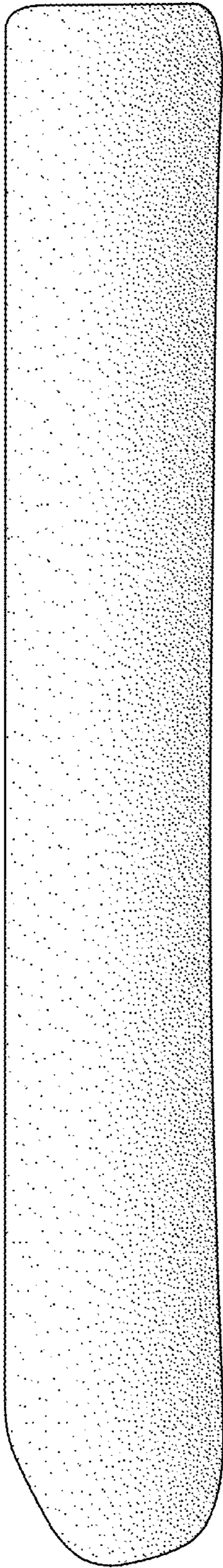
***FIG. 3***



**FIG. 4**

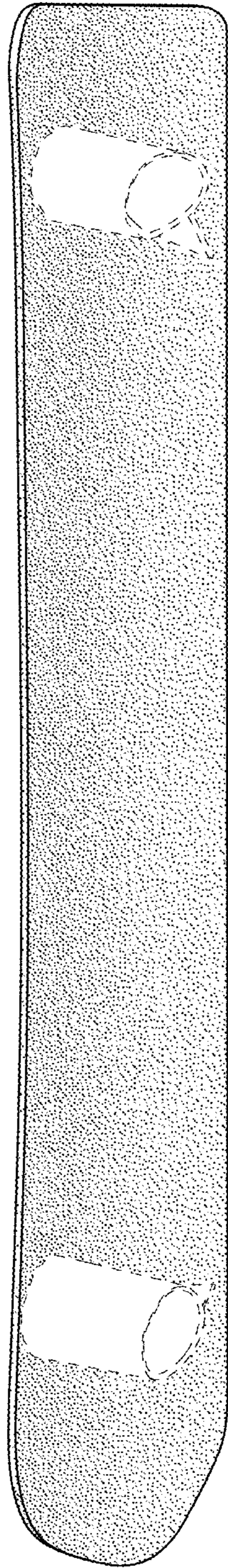


***FIG. 5***

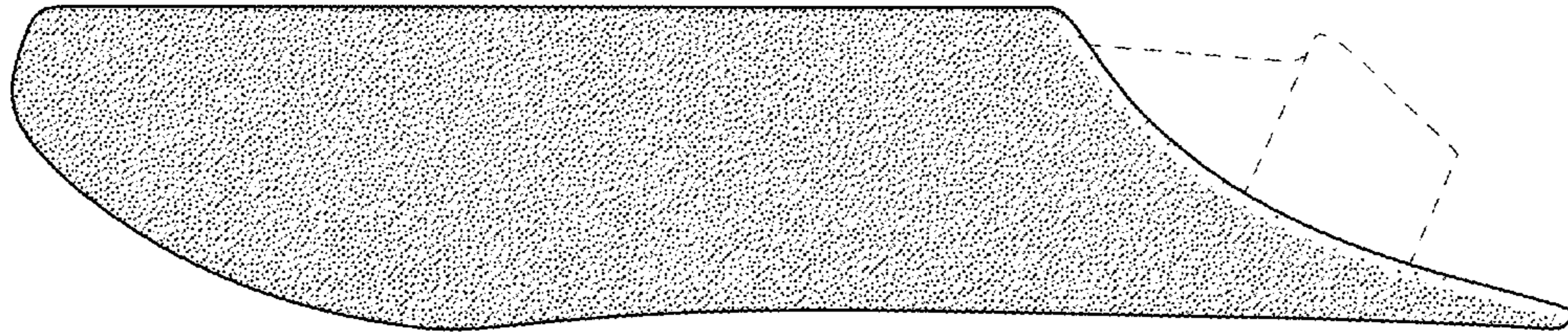


***FIG. 6***

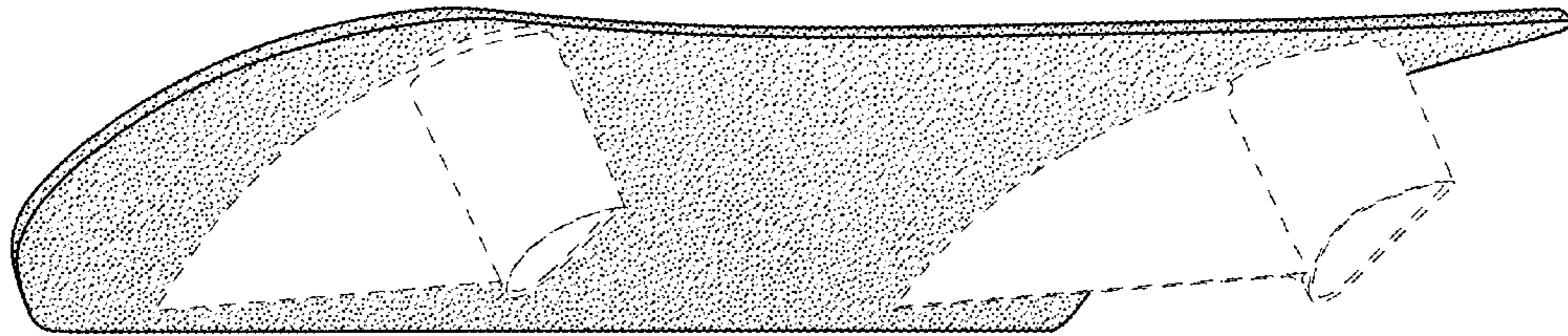




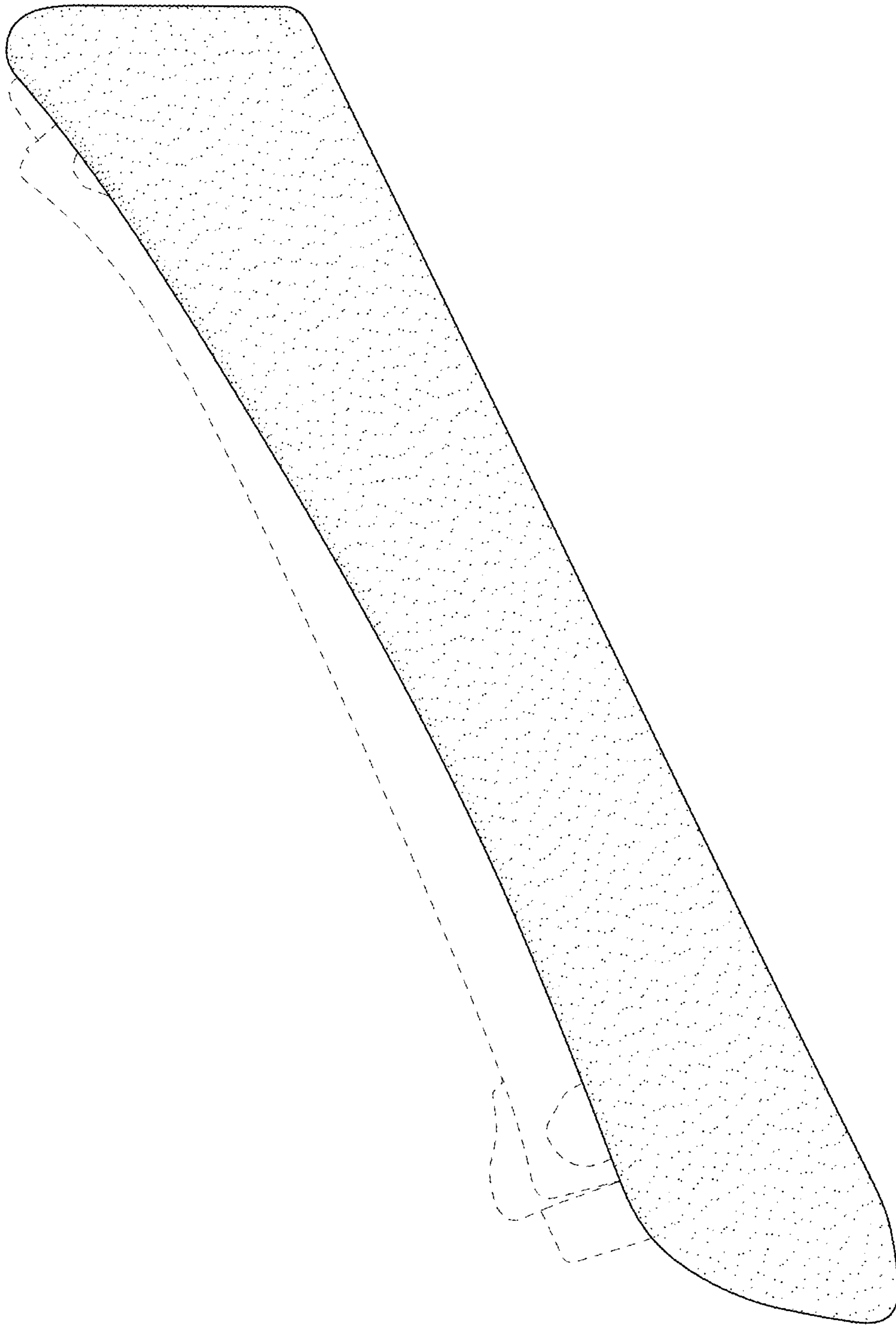
**FIG. 7**



***FIG. 8***

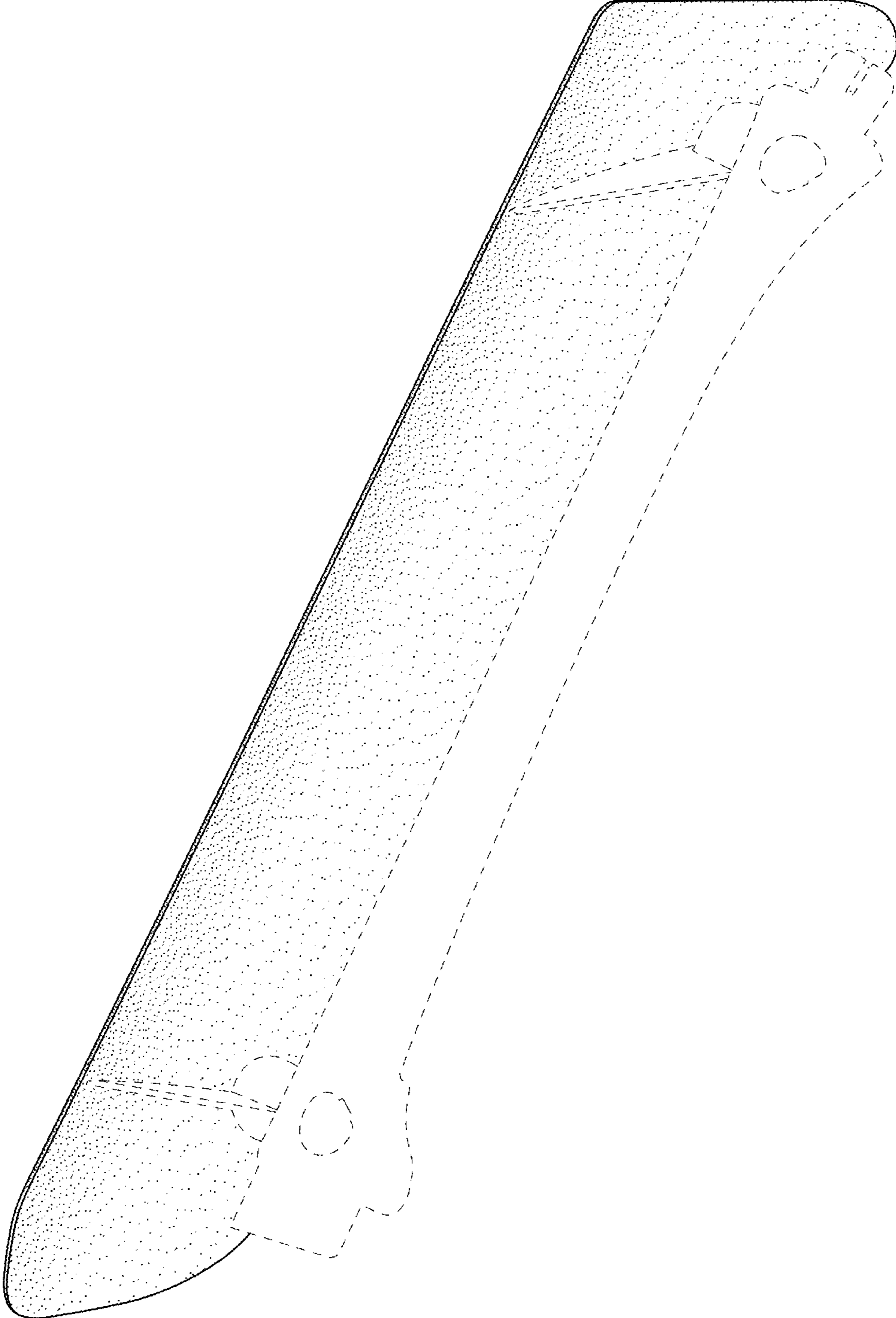


***FIG. 9***

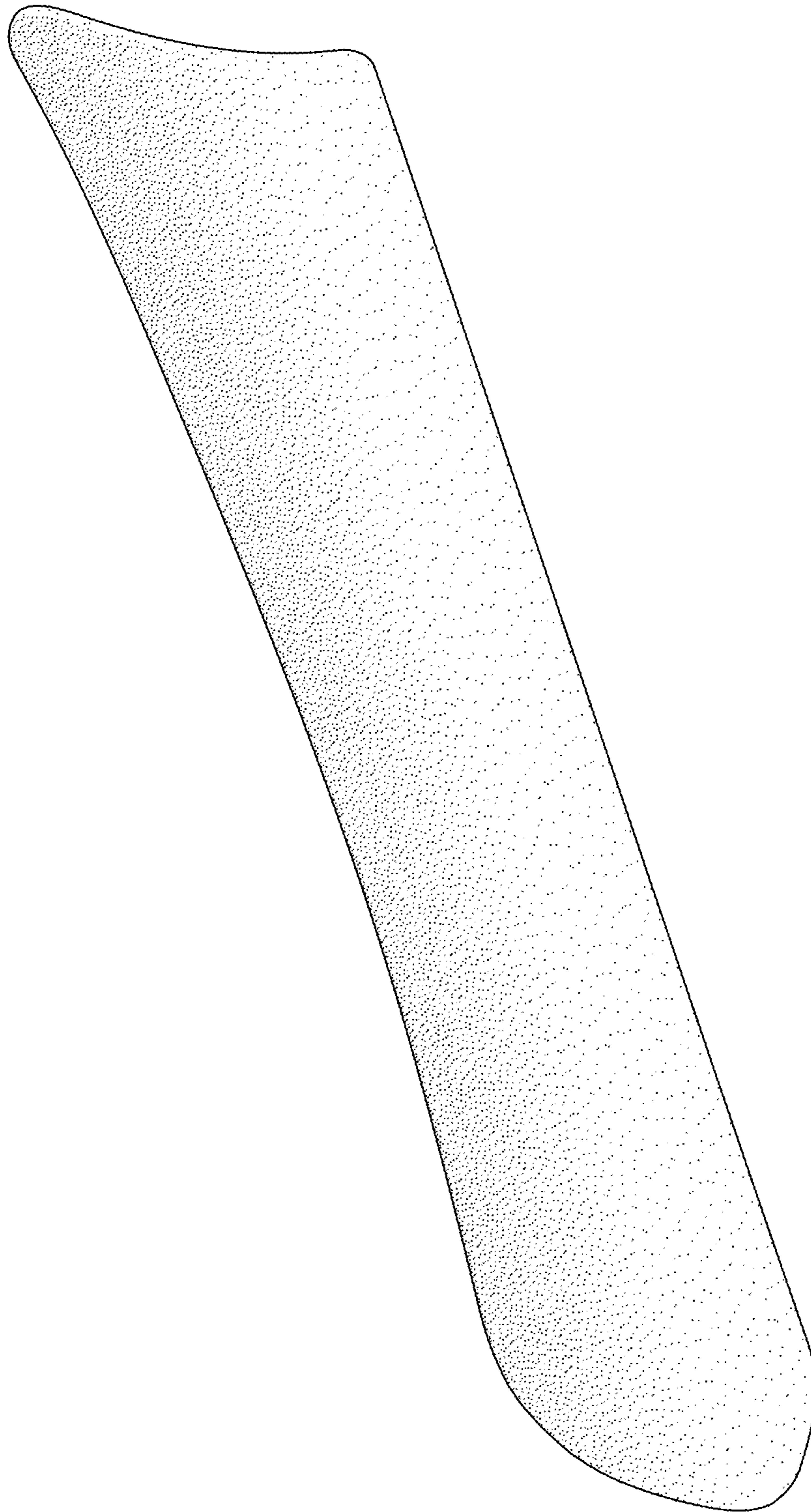


***FIG. 10***

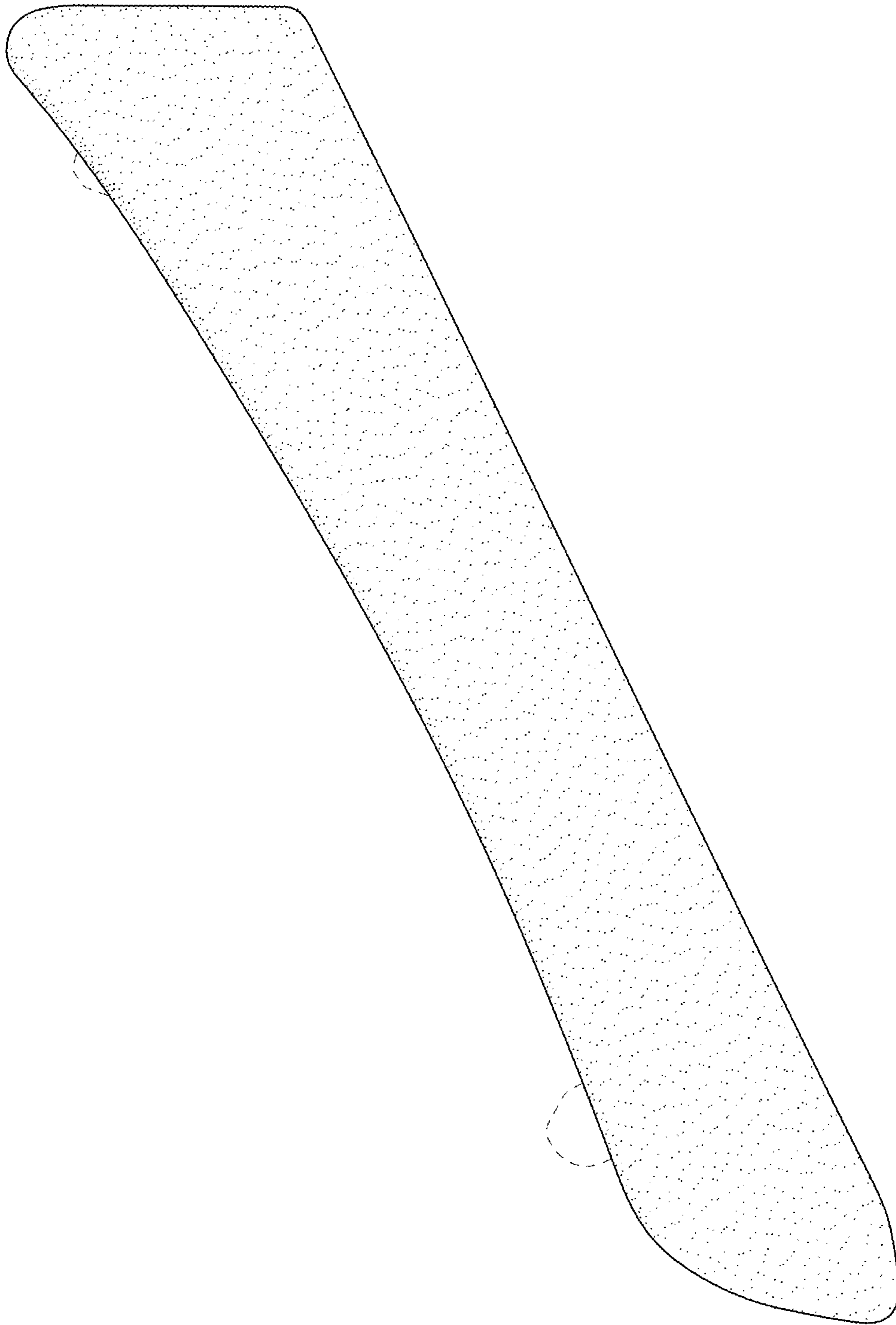




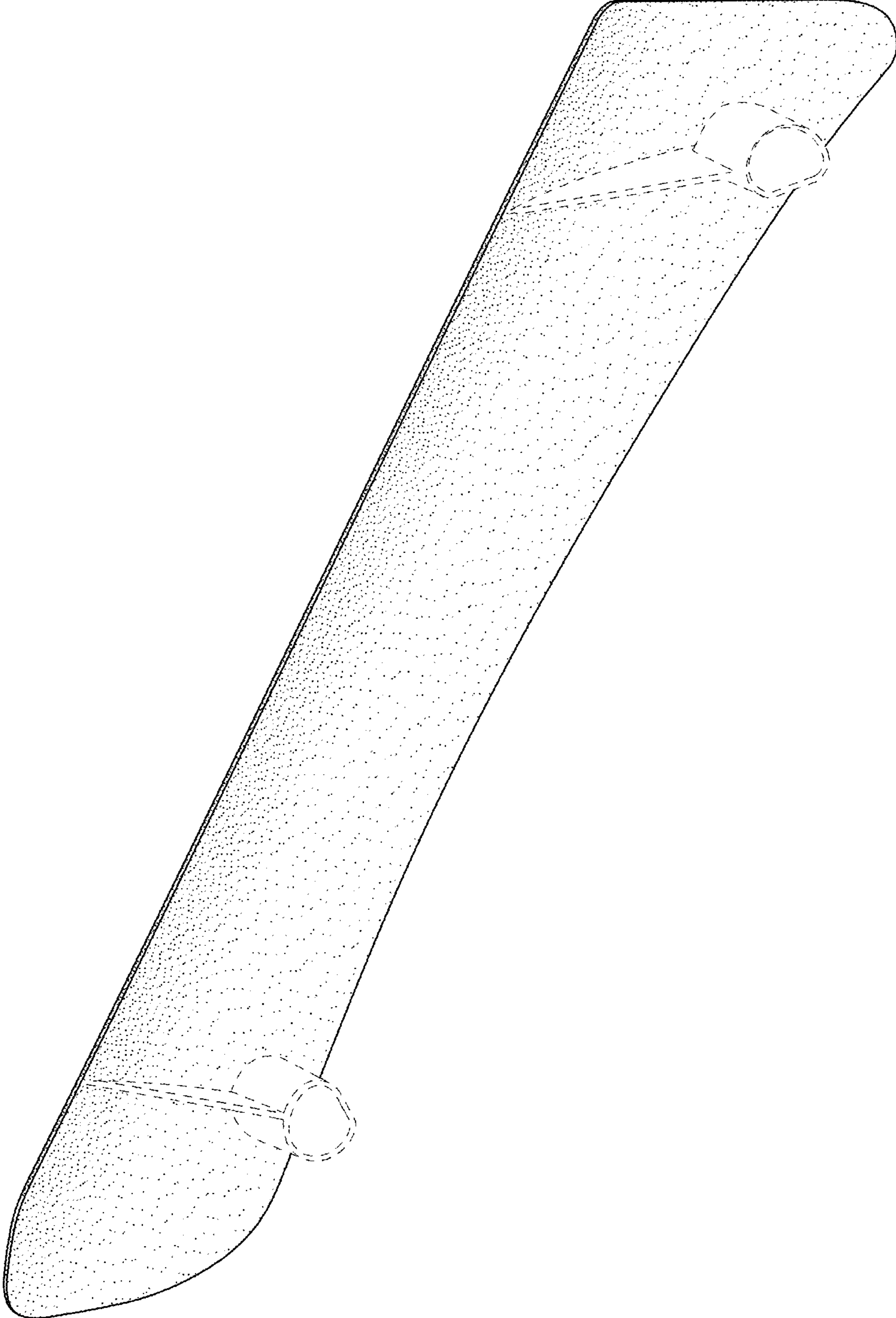
**FIG. 11**



***FIG. 12***

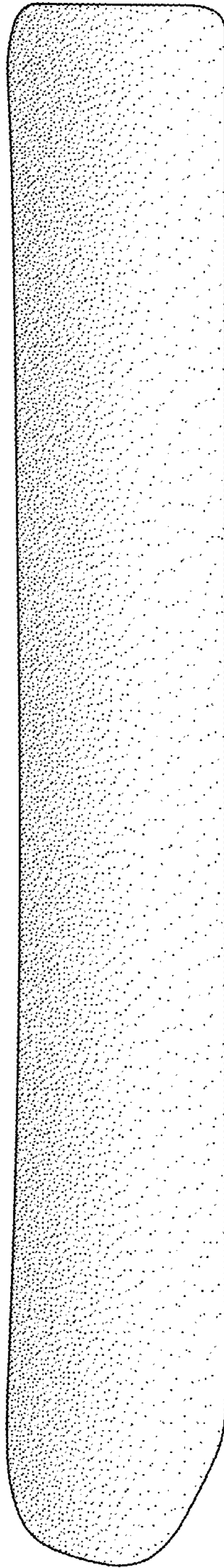


***FIG. 13***

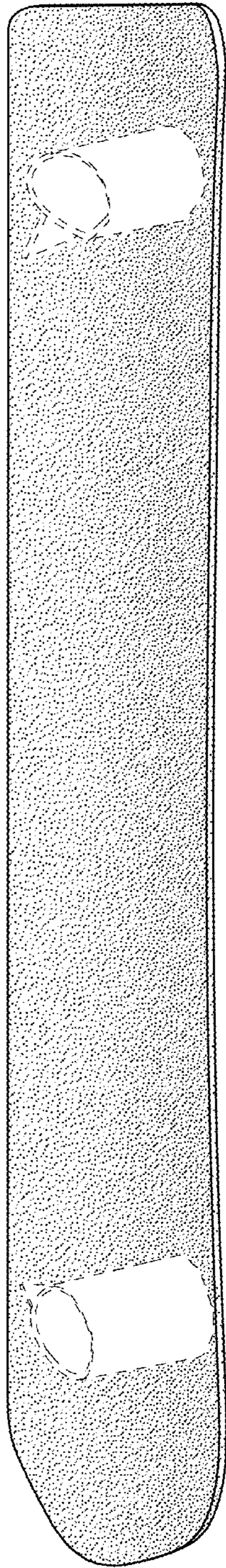


**FIG. 14**

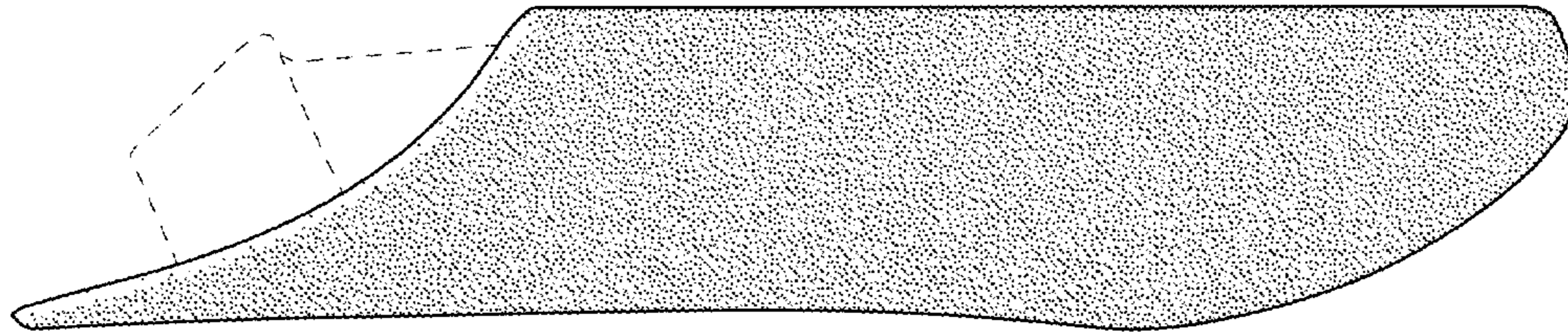




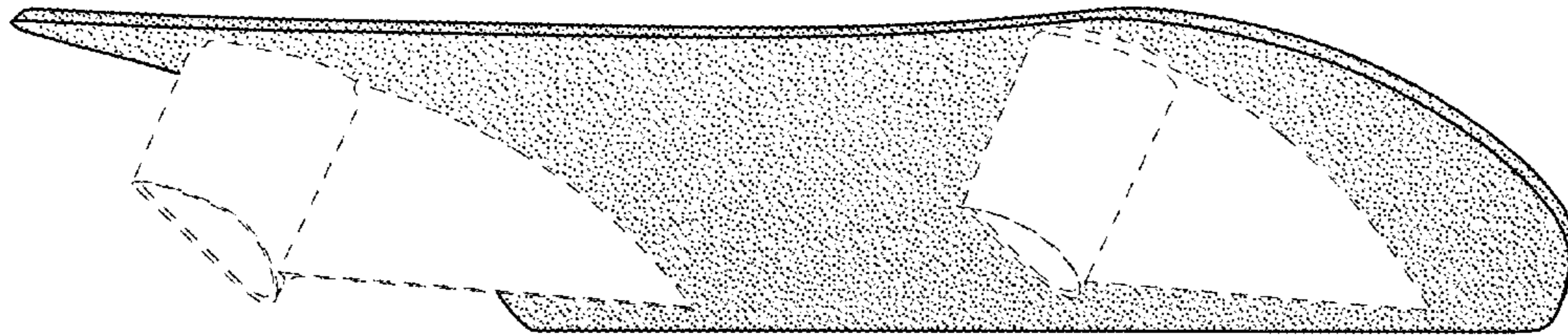
***FIG. 15***



***FIG. 16***



***FIG. 17***



***FIG. 18***