



US00D980136S

(12) **United States Design Patent**
Kim et al.

(10) **Patent No.:** **US D980,136 S**
(45) **Date of Patent:** **** Mar. 7, 2023**

(54) **RADIATOR GRILLE FOR VEHICLES**

D863,136 S *	10/2019	Blanski	D12/163
D864,051 S *	10/2019	Luke	B62D 25/00
			D12/163
D939,393 S *	12/2021	Jevremovic	D12/163
D940,595 S *	1/2022	Jung	B62D 35/00
			D12/91
D945,929 S *	3/2022	Kim	D12/92
D952,517 S *	5/2022	An	B62D 25/00
			D12/91
D959,332 S *	8/2022	Kim	D12/91

(71) Applicants: **Hyundai Motor Company**, Seoul (KR); **Kia Corporation**, Seoul (KR)

(72) Inventors: **Myeong-Joo Kim**, Incheon (KR); **Ki-Euk Kim**, Gyeonggi-do (KR)

(73) Assignees: **Hyundai Motor Company**, Seoul (KR); **Kia Corporation**, Seoul (KR)

(**) Term: **15 Years**

(21) Appl. No.: **29/786,320**

(22) Filed: **May 31, 2021**

(30) **Foreign Application Priority Data**

Jan. 28, 2021 (KR) 30-2021-0004399

(51) **LOC (14) Cl.** **12-16**

(52) **U.S. Cl.**
USPC **D12/163**

(58) **Field of Classification Search**

USPC D12/163, 196, 86, 90-92, 169, 190, 98,
D12/164; 293/193.11; 180/68.1, 68.6
CPC B62B 9/16; B60K 11/08; B62D 25/08;
B60R 19/52

See application file for complete search history.

(56) **References Cited**

U.S. PATENT DOCUMENTS

D860,879 S *	9/2019	Flores	D12/171
D863,131 S *	10/2019	Thurber	B62D 35/00
			D12/163

* cited by examiner

Primary Examiner — Melody N Brown

(74) *Attorney, Agent, or Firm* — Fox Rothschild LLP

(57) **CLAIM**

The ornamental design for a radiator grill for vehicles, as shown and described.

DESCRIPTION

FIG. 1 is a front perspective view of a radiator grill for vehicles showing our new design;
FIG. 2 is a front elevational view thereof;
FIG. 3 is a rear elevational view thereof;
FIG. 4 is a left side elevational view thereof;
FIG. 5 is a right side elevational view thereof;
FIG. 6 is a top plan view thereof; and,
FIG. 7 is a bottom plan view thereof.

1 Claim, 7 Drawing Sheets

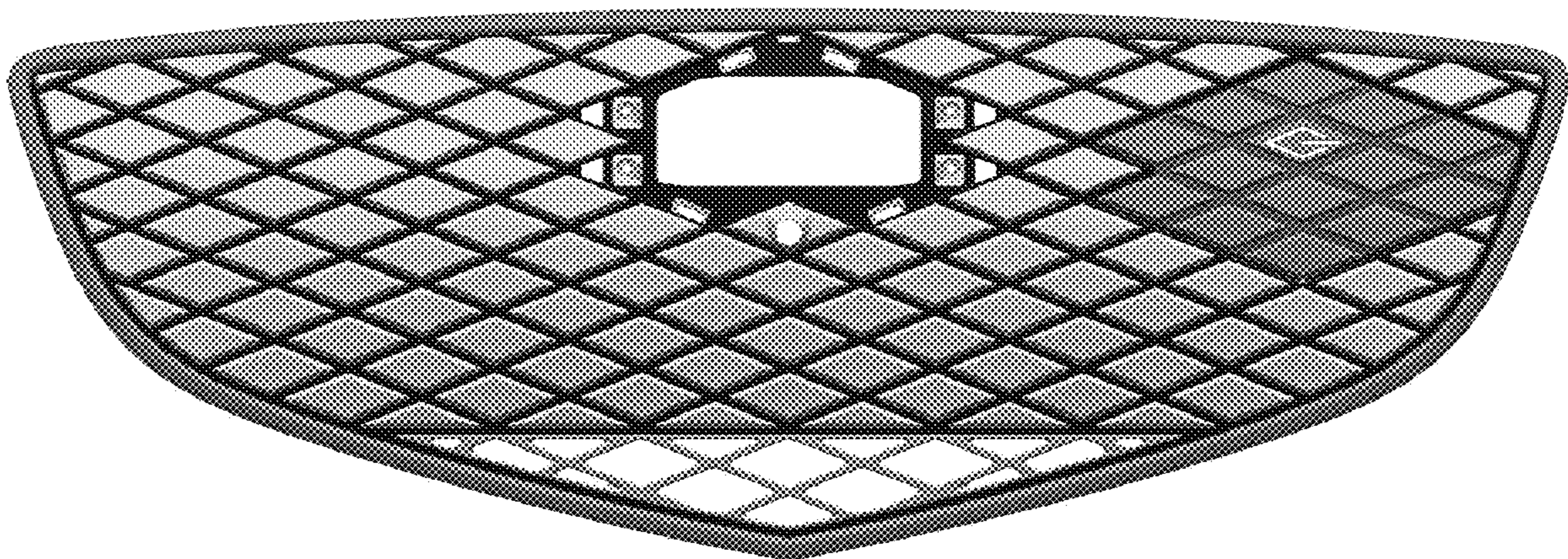


FIG. 1



FIG. 2

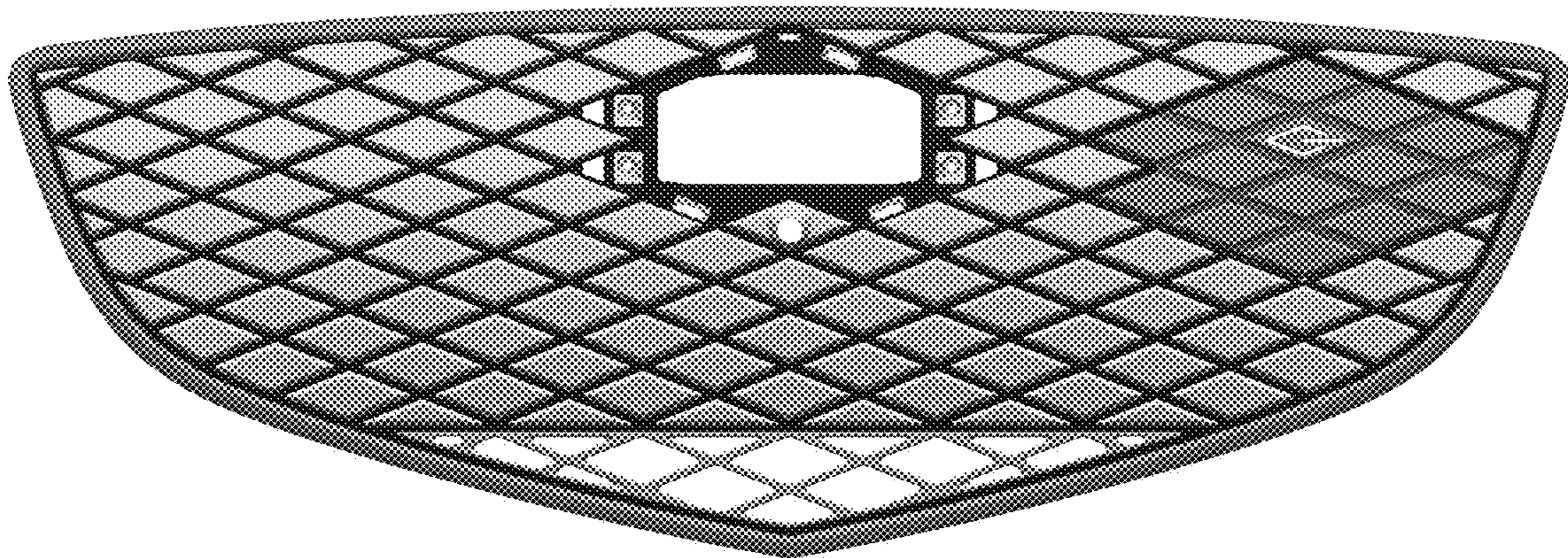


FIG. 3

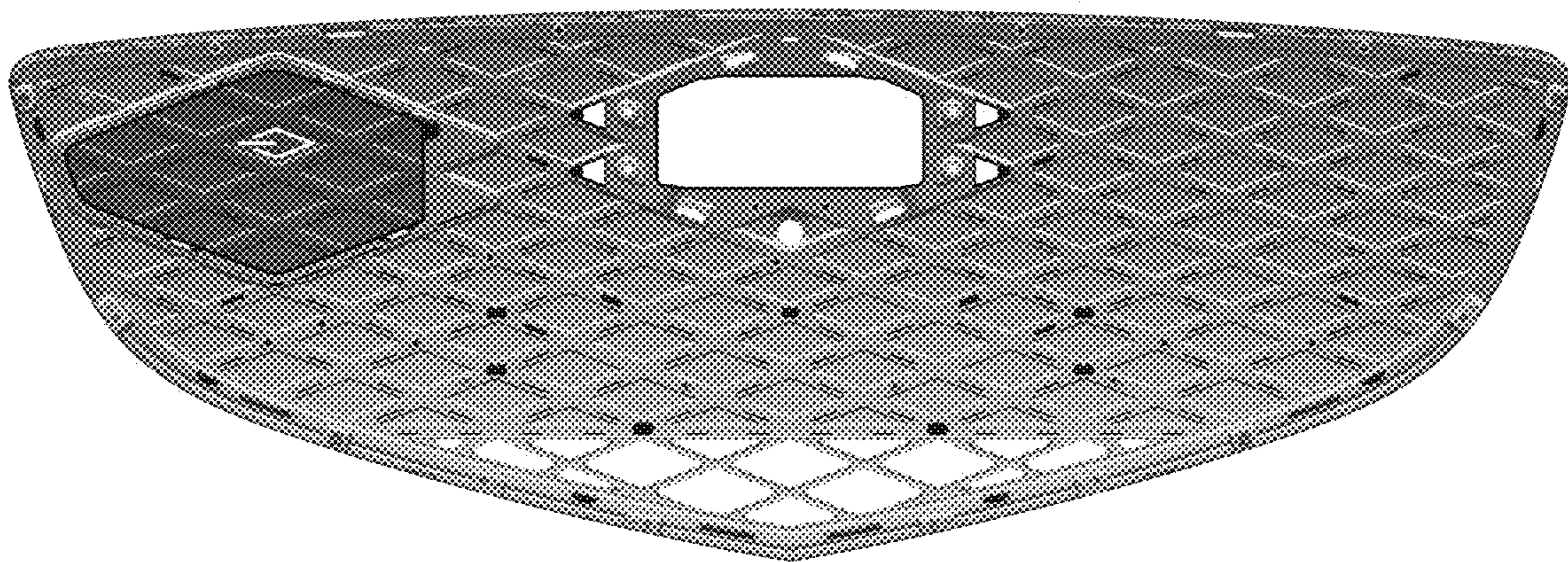


FIG. 4

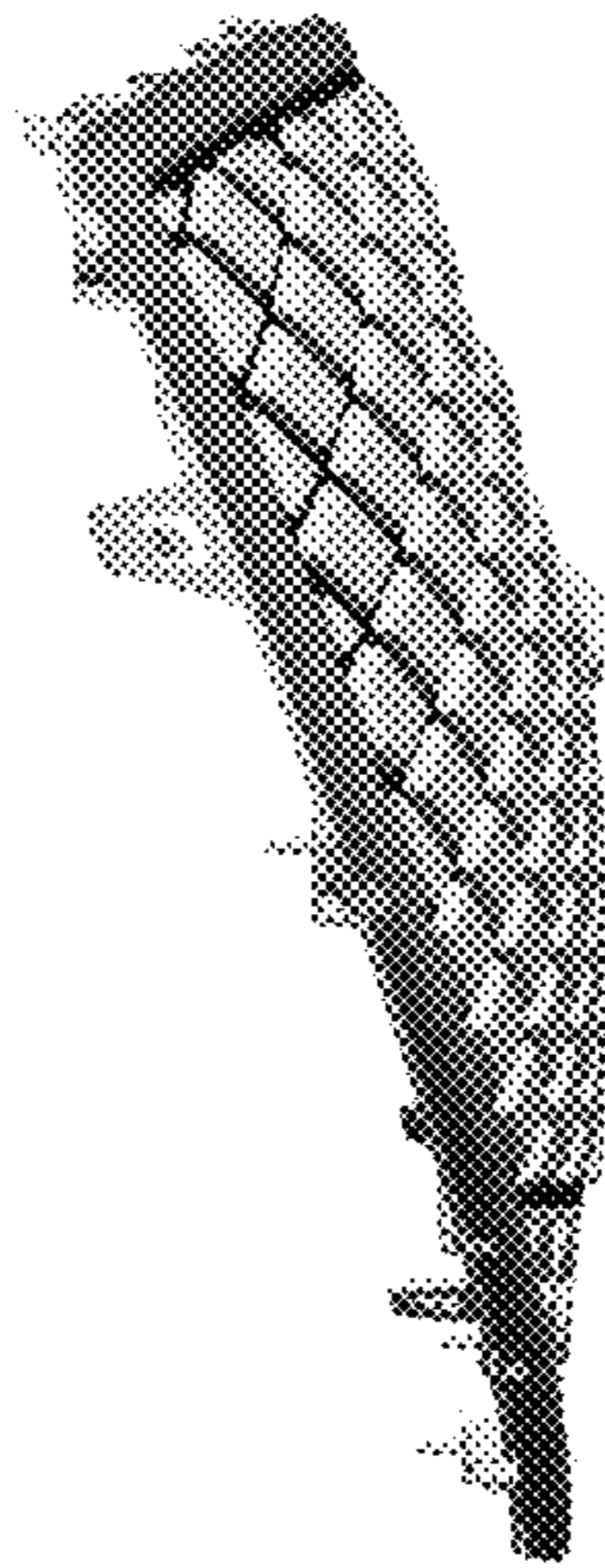


FIG. 5

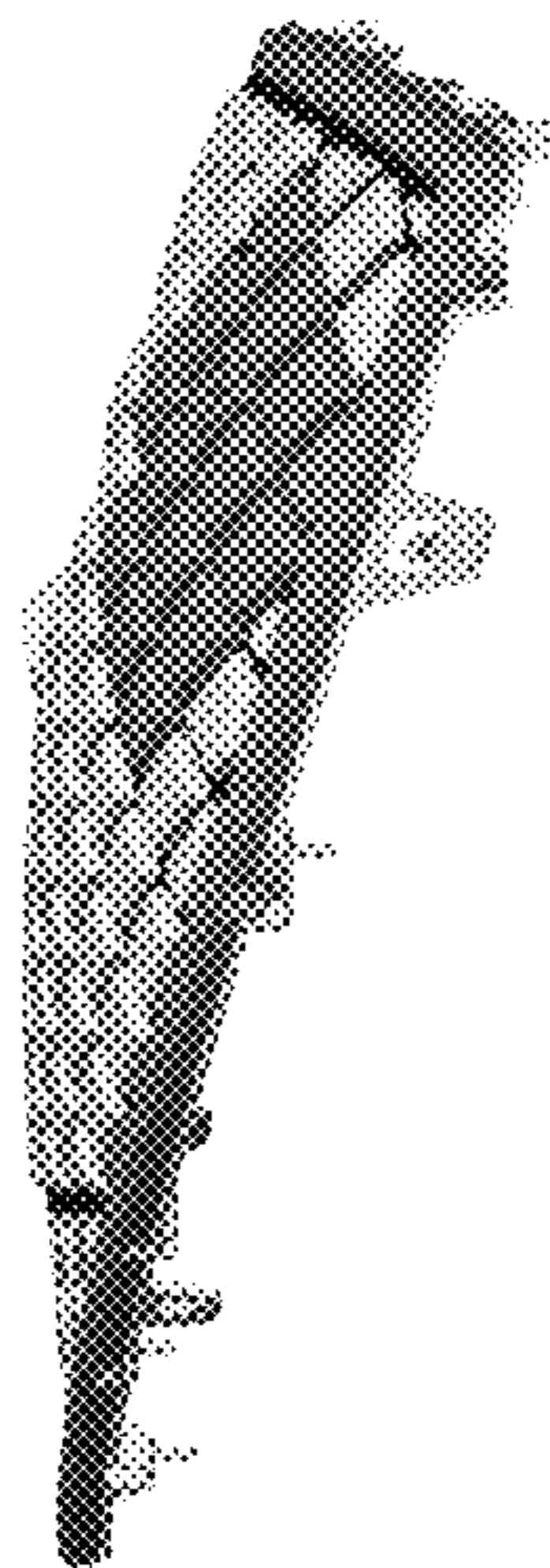


FIG. 6

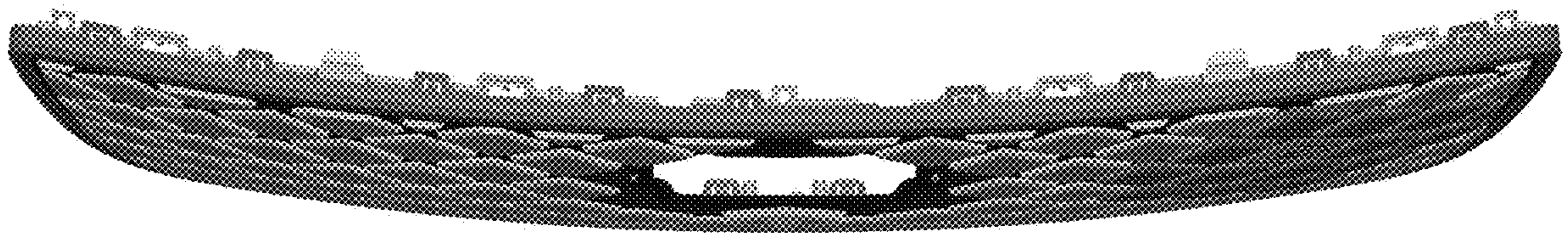


FIG. 7

