



US00D980133S

(12) **United States Design Patent**
Zhang

(10) **Patent No.:** **US D980,133 S**

(45) **Date of Patent:** **** Mar. 7, 2023**

- (54) **WALL MOUNTED BIKE RACK**
- (71) Applicant: **Xiaodan Zhang**, Sangzhi (CN)
- (72) Inventor: **Xiaodan Zhang**, Sangzhi (CN)
- (**) Term: **15 Years**
- (21) Appl. No.: **29/848,225**
- (22) Filed: **Aug. 1, 2022**
- (51) **LOC (14) Cl.** **08-10**
- (52) **U.S. Cl.**
USPC **D12/115**
- (58) **Field of Classification Search**
USPC D12/115, 120, 406-407; D6/672, 682
CPC ... B62H 3/00; B62H 3/04; B62H 3/08; B62H
3/10; B62H 3/12; B60R 9/06; B60R 9/10
See application file for complete search history.

- D876,287 S * 2/2020 Luyet D12/115
- D943,322 S * 2/2022 Li D6/682
- D943,463 S * 2/2022 Liu D12/115

* cited by examiner

Primary Examiner — Kelley A Donnelly

(74) *Attorney, Agent, or Firm* — Runit Ranjit Kanakia

(57) **CLAIM**

The ornamental design for a wall mounted bike rack, as shown and described.

DESCRIPTION

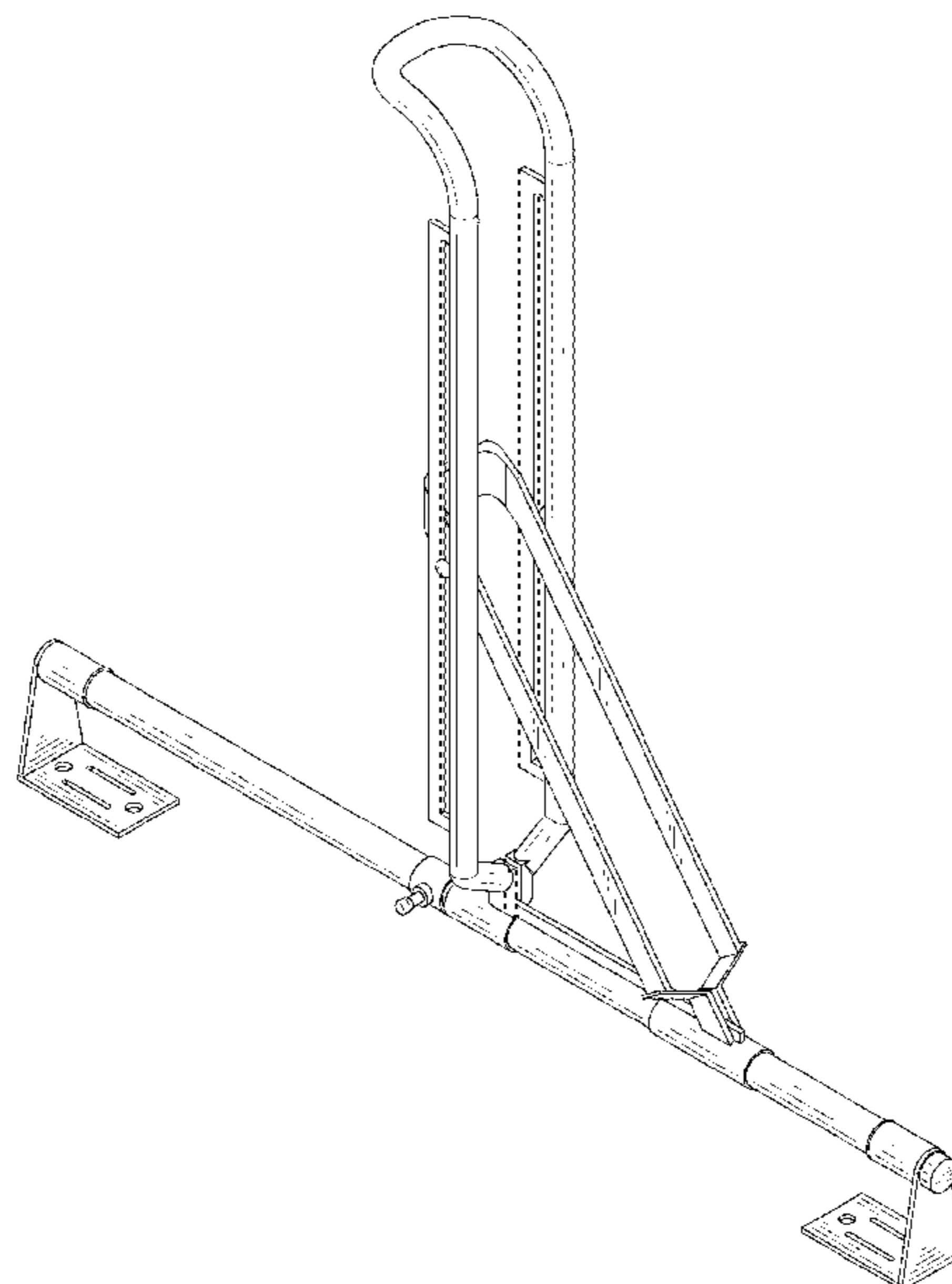
FIG. 1 is a first perspective view of a first element of a wall mounted bike rack showing my new design;
 FIG. 2 is a second perspective view of the first element thereof;
 FIG. 3 is a front view of the first element thereof;
 FIG. 4 is a back view of the first element thereof;
 FIG. 5 is a left side view of the first element thereof;
 FIG. 6 is a right side view of the first element thereof;
 FIG. 7 is a top view of the first element thereof;
 FIG. 8 is a bottom view of the first element thereof;
 FIG. 9 is a first perspective view of a second element of a wall mounted bike rack showing my new design;
 FIG. 10 is a second perspective view of the second element thereof;
 FIG. 11 is a front view of the second element thereof;
 FIG. 12 is a back view of the second element thereof;
 FIG. 13 is a left side view of the second element thereof;
 FIG. 14 is a right side view of the second element thereof;
 FIG. 15 is a top view of the second element thereof;
 FIG. 16 is a bottom view of the second element thereof; and,
 FIG. 17 is a combination view of the first element and the second element of the wall mounted bike rack thereof.
 The broken lines shown in the drawings depict portions of the wall mounted bike rack that form no part of the claimed design.

(56) **References Cited**

U.S. PATENT DOCUMENTS

- D308,846 S * 6/1990 Eckhart D12/408
- D325,553 S * 4/1992 Weiner D12/408
- D337,087 S * 7/1993 Peterman D12/408
- D341,348 S * 11/1993 Williams D12/408
- D343,320 S * 1/1994 Smith D6/552
- D376,577 S * 12/1996 Avery D12/408
- D394,975 S * 6/1998 Wilkening D12/115
- D430,532 S * 9/2000 Frazier D12/407
- D436,074 S * 1/2001 McCoy D12/407
- D456,316 S * 4/2002 Will D12/115
- D497,873 S * 11/2004 Graber B62H 3/00
D12/407
- D502,127 S * 2/2005 Pappas B62H 3/08
D12/115
- D645,335 S * 9/2011 Herman D8/349
- D656,455 S 3/2012 Sautter et al.
- D669,415 S * 10/2012 Murray D12/408
- D672,704 S * 12/2012 Grago D12/408
- D784,207 S 4/2017 Mirth
- D829,611 S 10/2018 Holiday, III

1 Claim, 17 Drawing Sheets



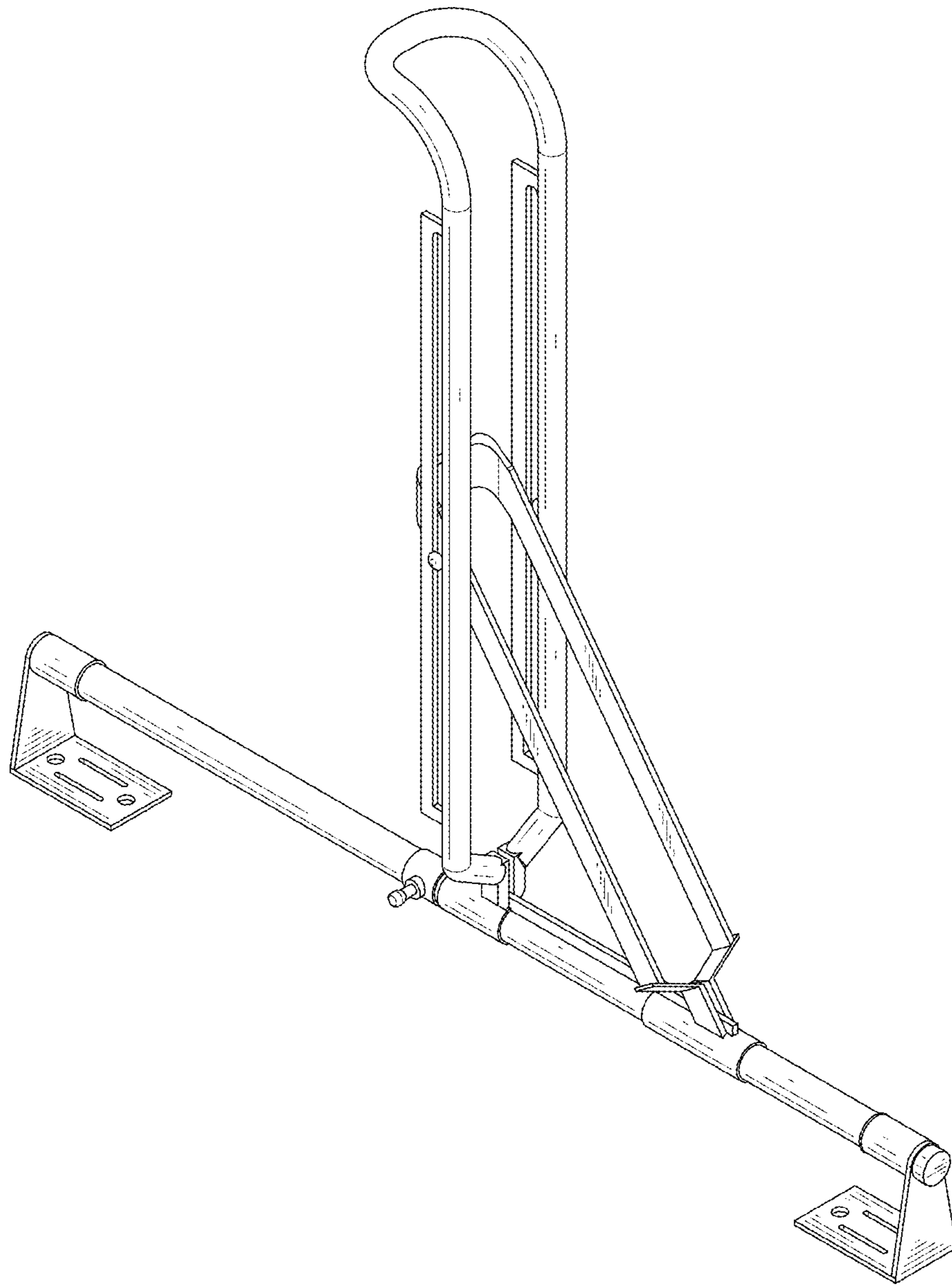


FIG. 1

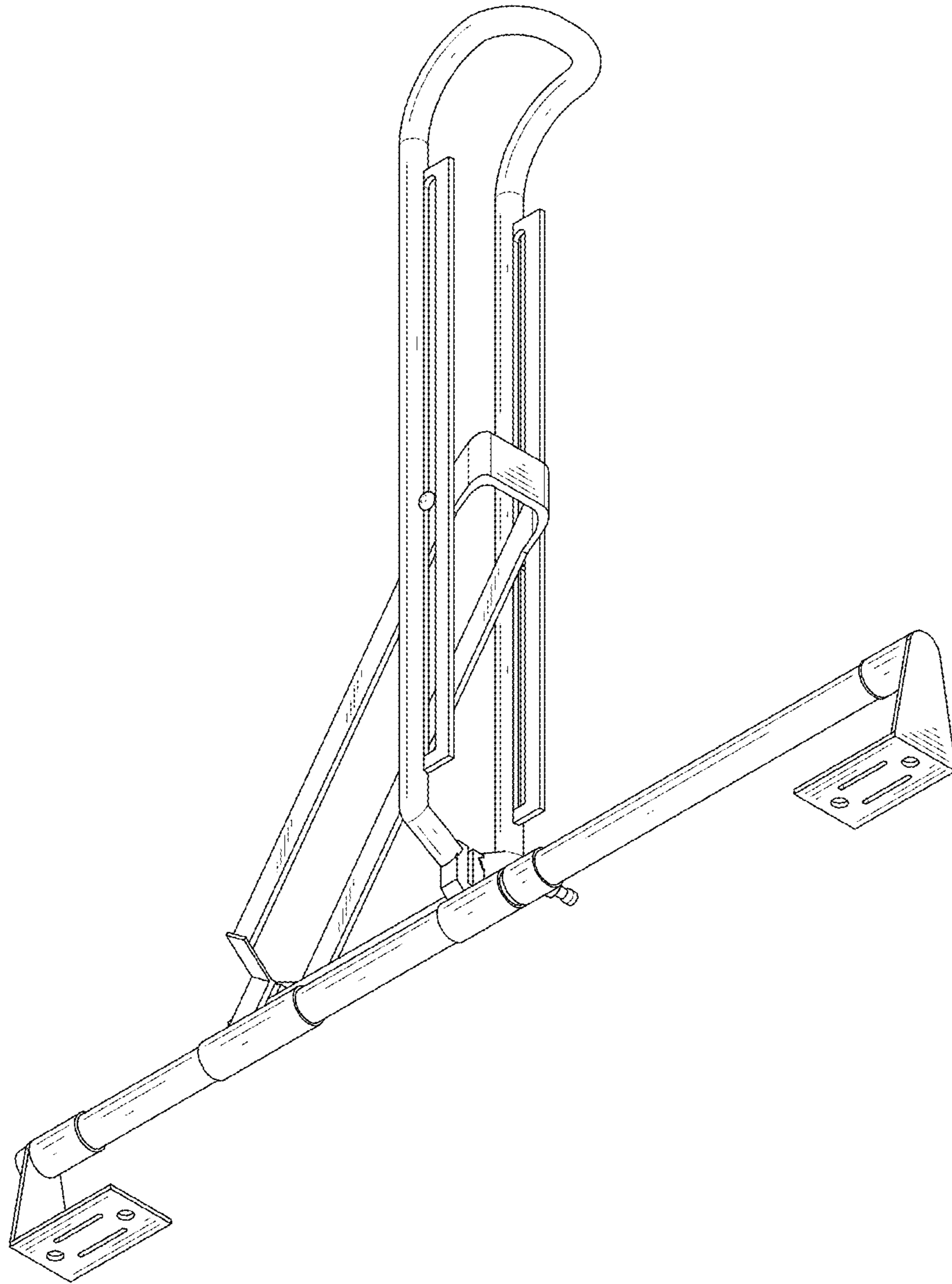


FIG. 2

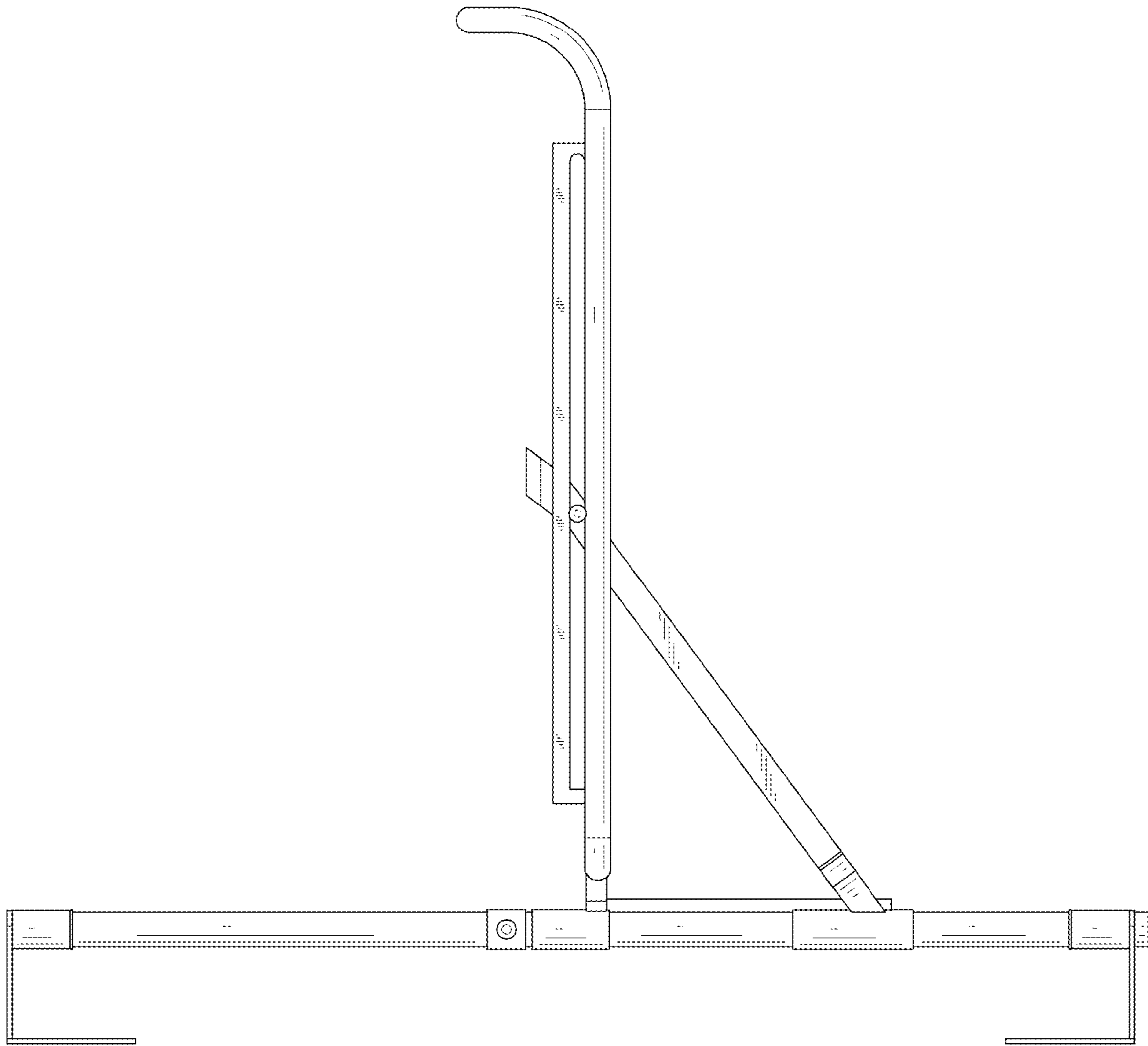


FIG. 3

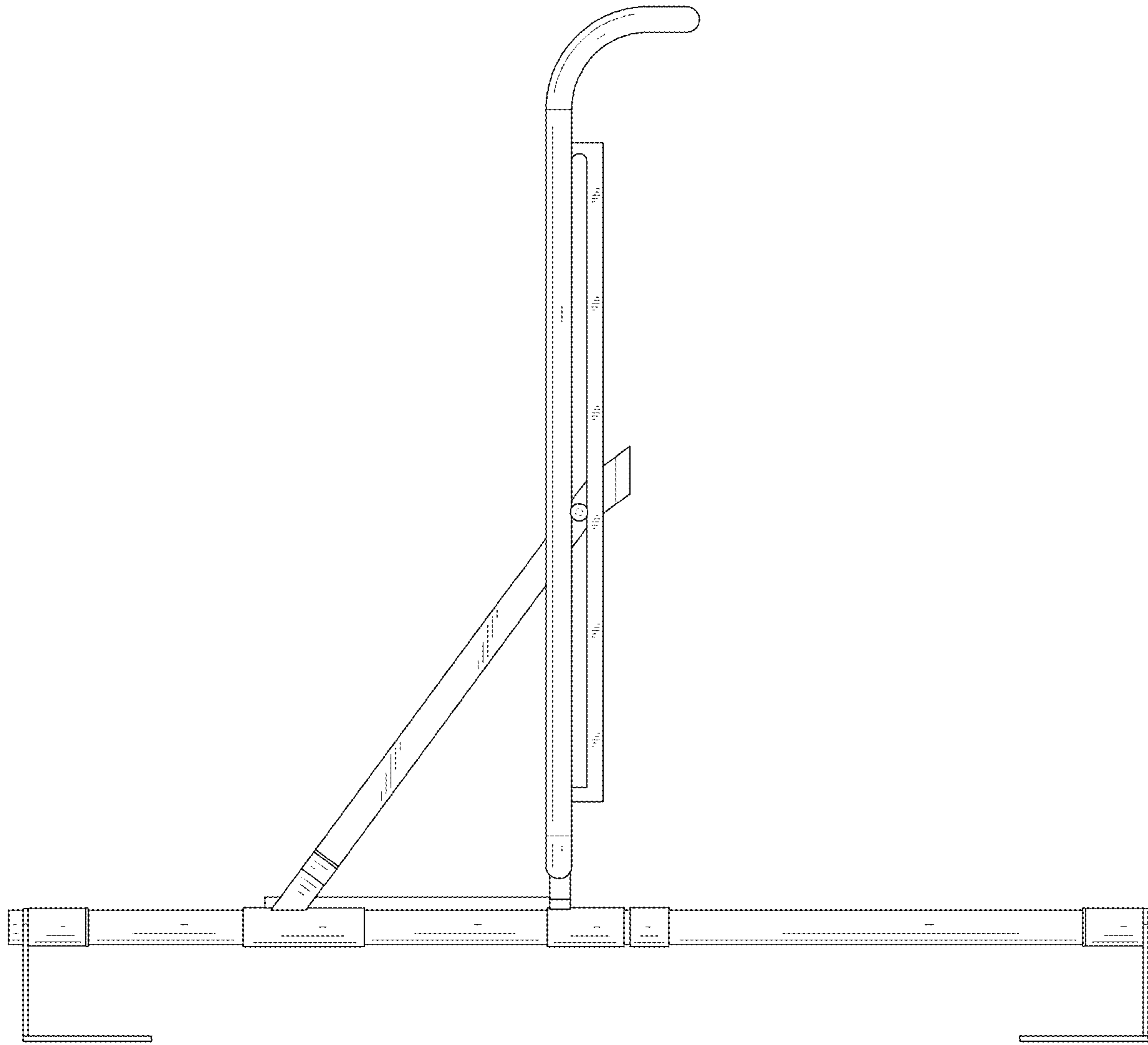


FIG. 4

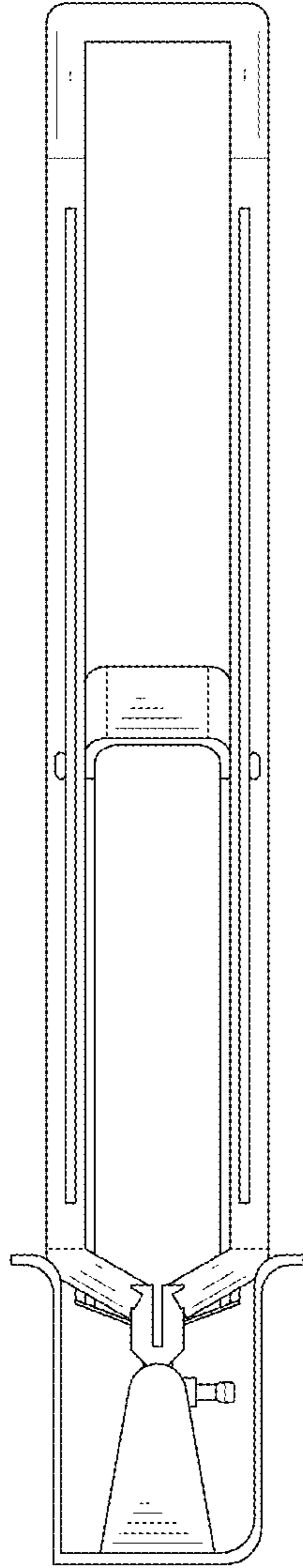


FIG. 5

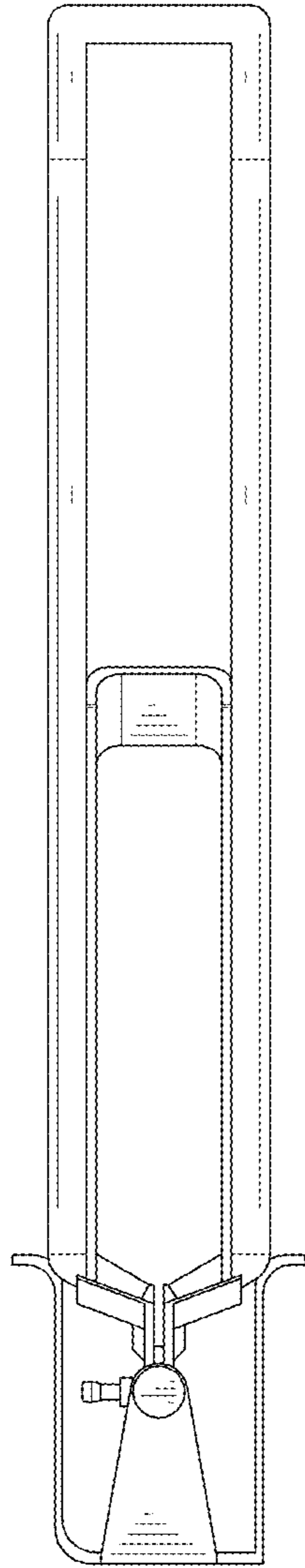


FIG. 6

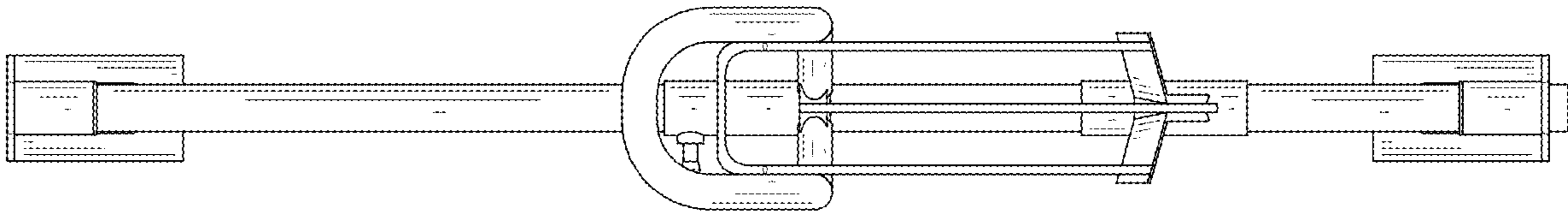


FIG. 7

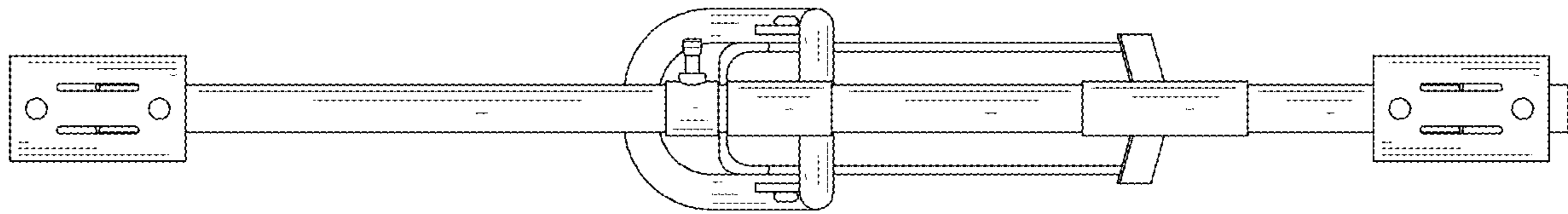


FIG. 8

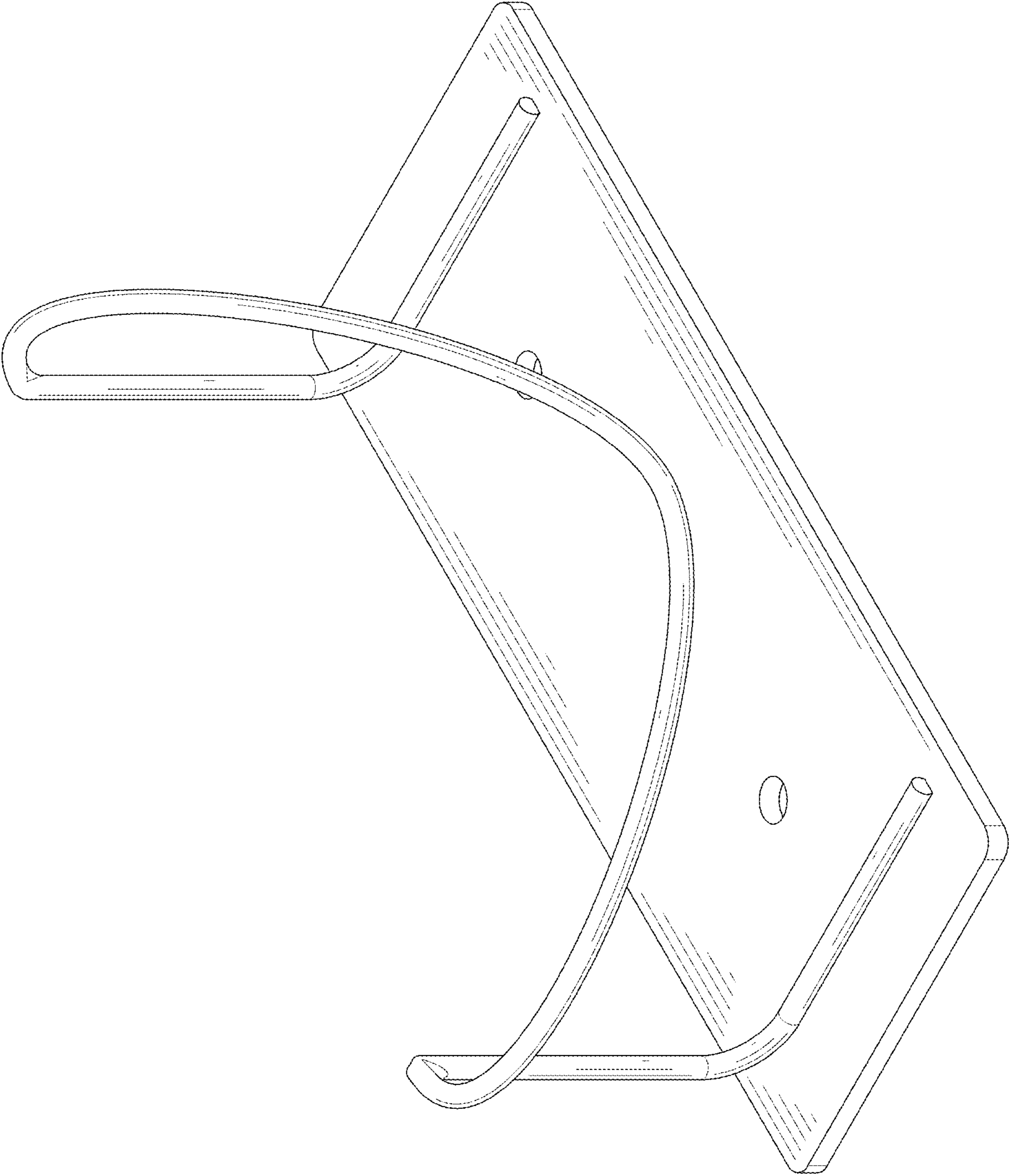


FIG. 9

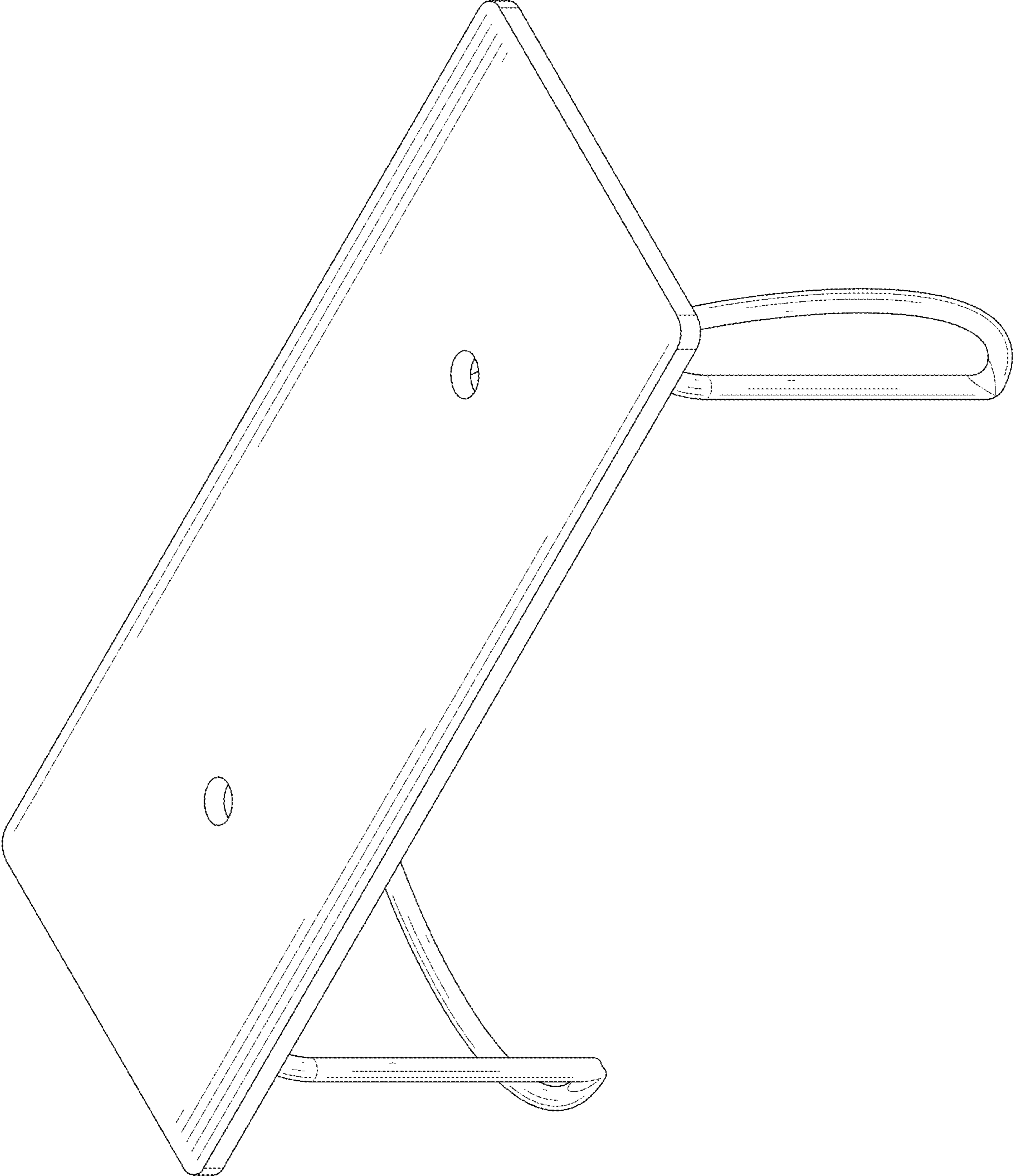


FIG. 10

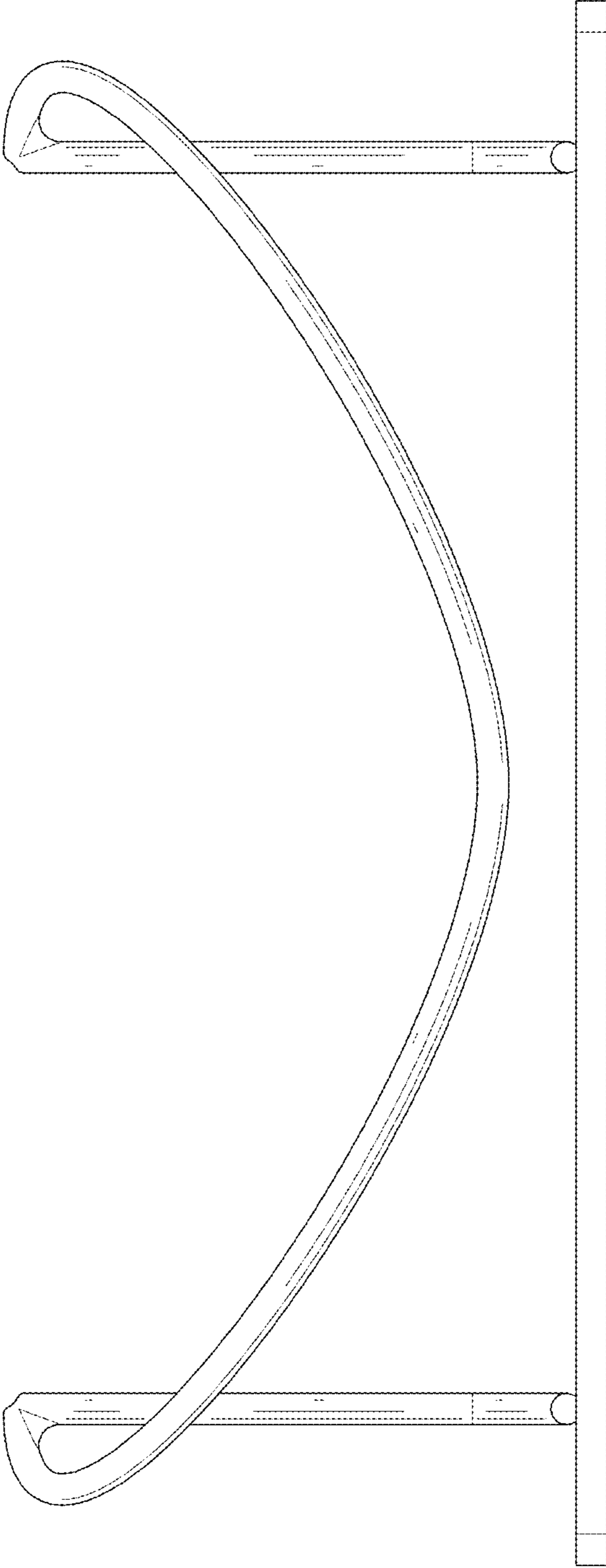


FIG. 11

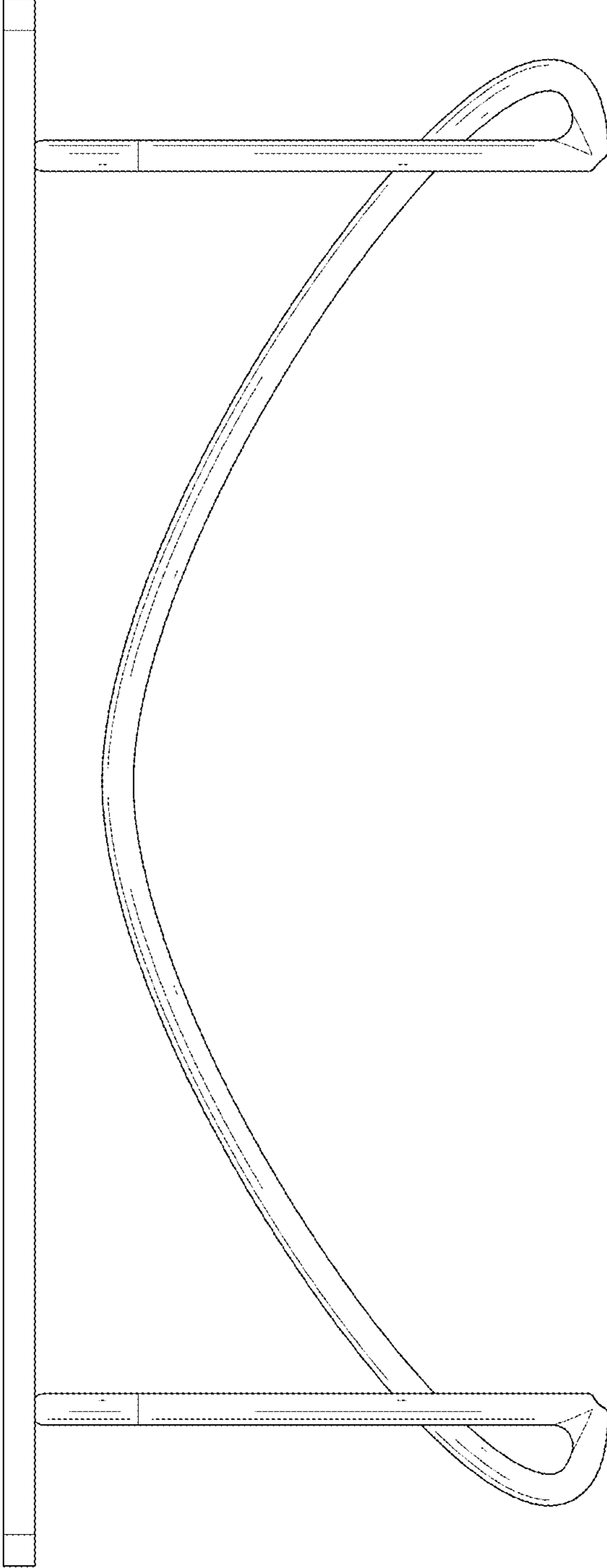


FIG. 12

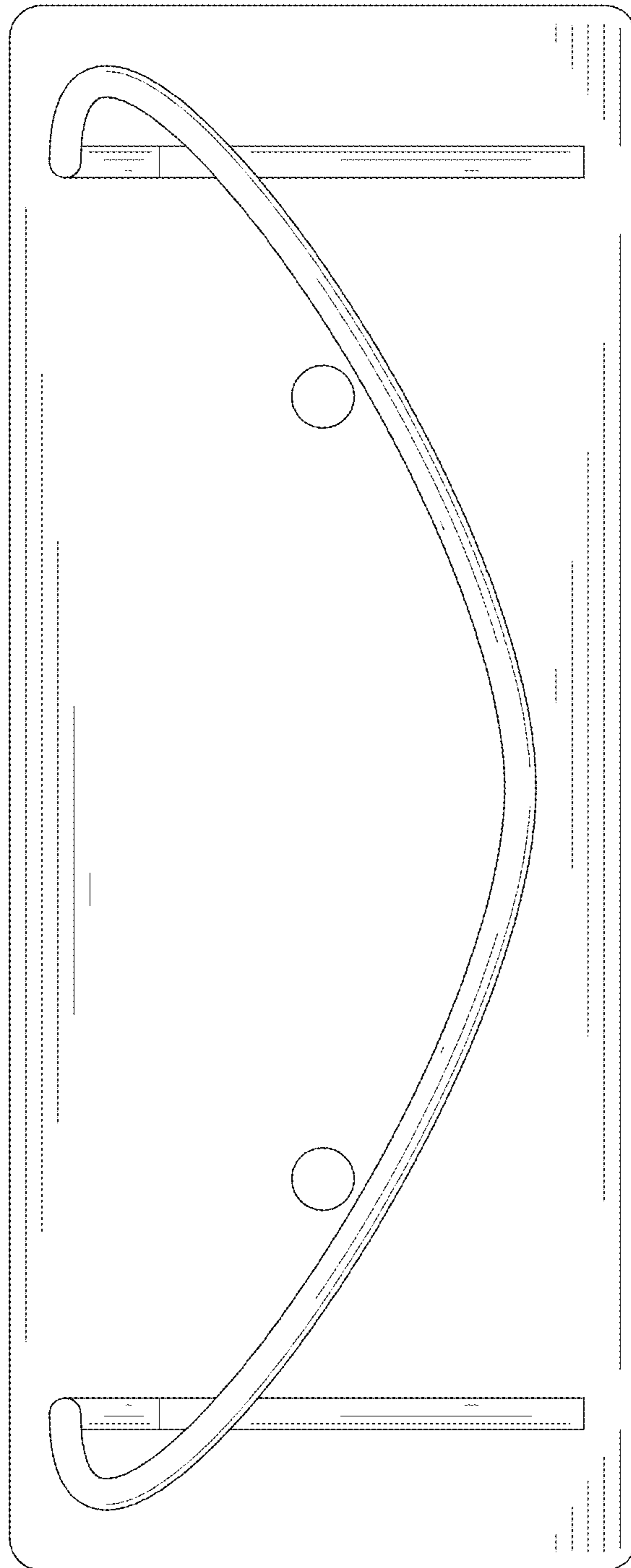


FIG. 13

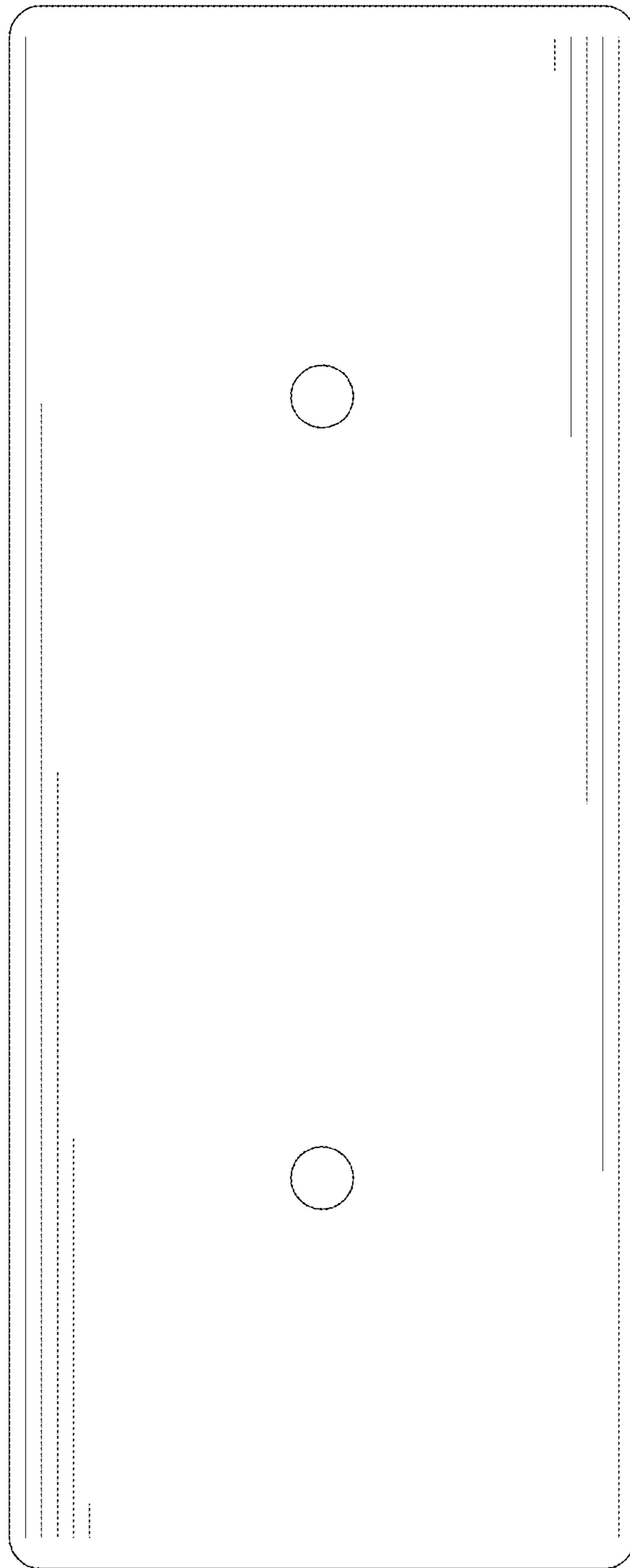


FIG. 14

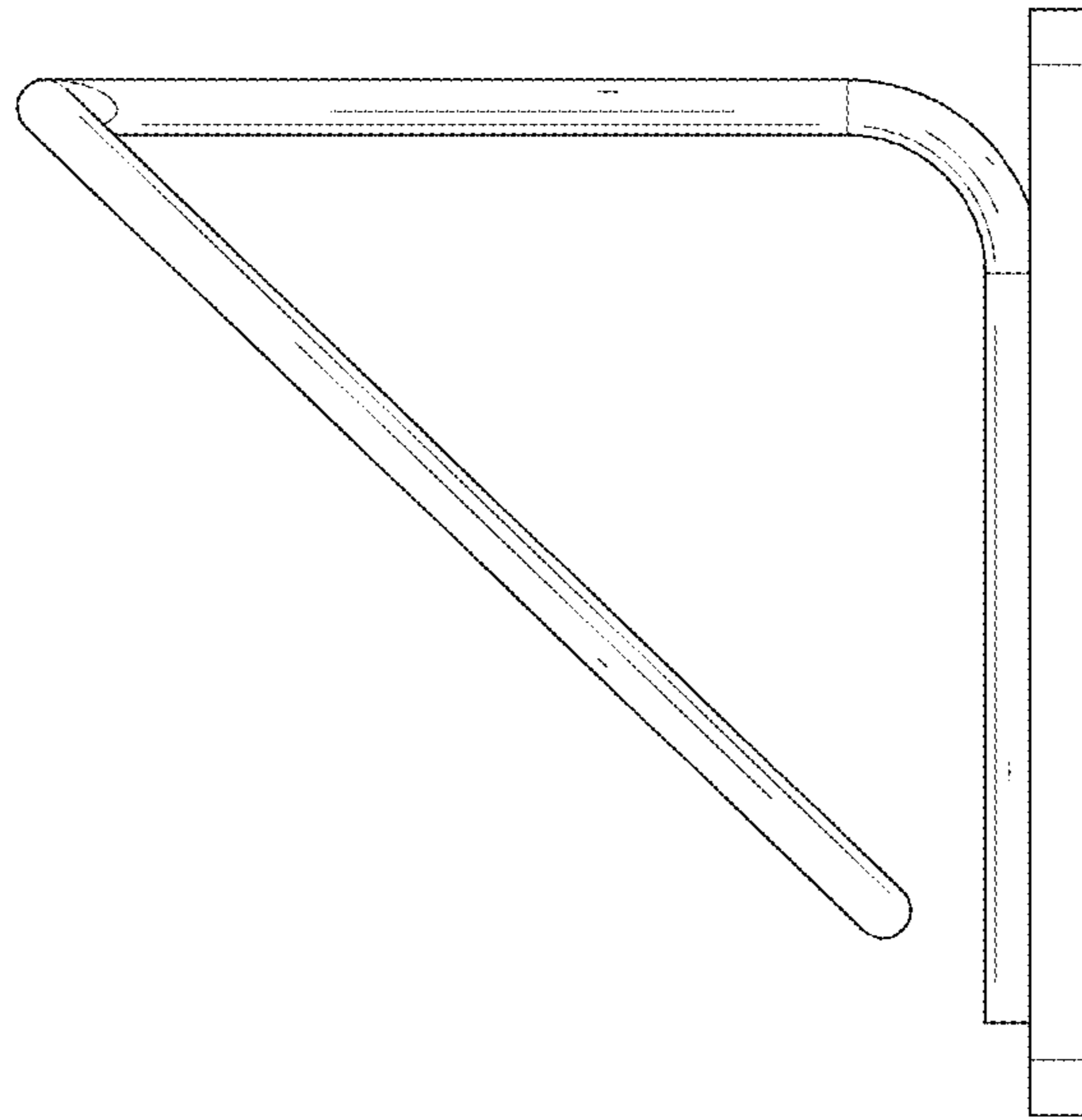


FIG. 15

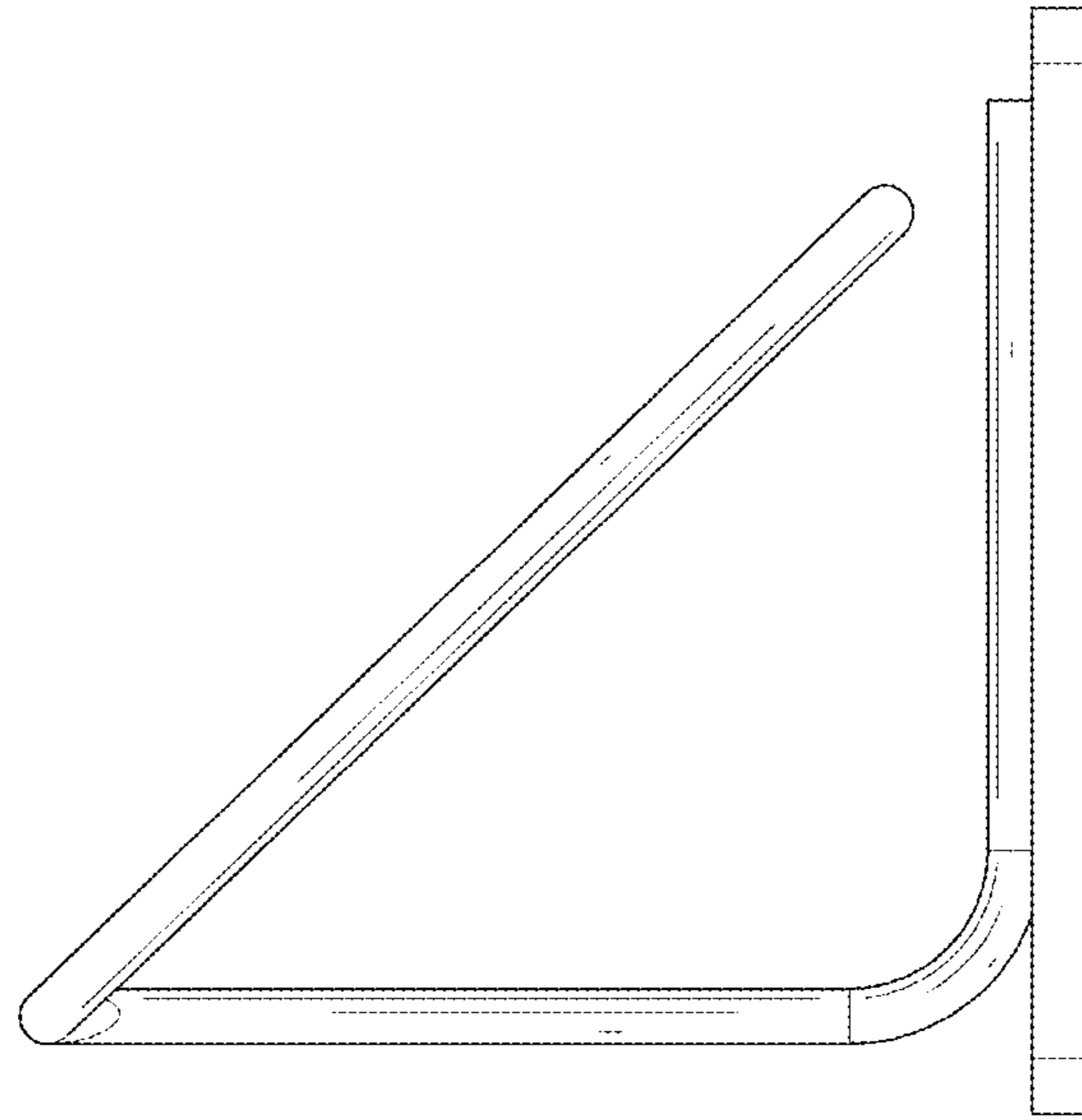


FIG. 16

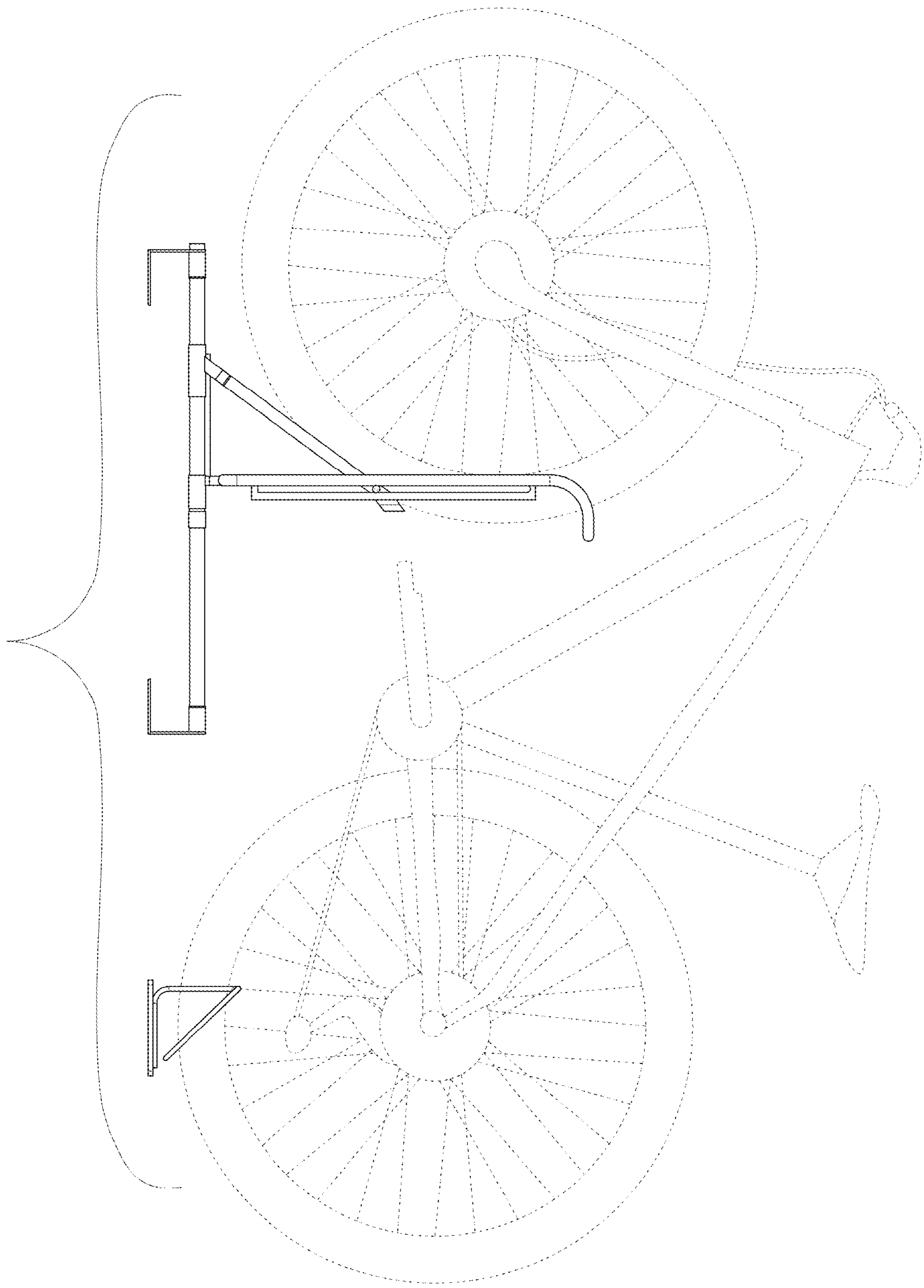


FIG. 17