



US00D980131S

(12) **United States Design Patent** (10) **Patent No.:** **US D980,131 S**
Li (45) **Date of Patent:** **** Mar. 7, 2023**

(54) **ELECTRIC BICYCLE**

(71) Applicant: **Xiaohe Electric Technology (Tianjin) Co., Ltd., Tianjin (CN)**

(72) Inventor: **Yuchuan Li, Tianjin (CN)**

(**) Term: **15 Years**

(21) Appl. No.: **29/834,074**

(22) Filed: **Apr. 8, 2022**

(30) **Foreign Application Priority Data**

Jan. 26, 2022 (CN) 202230054821.9

(51) **LOC (14) Cl.** **12-11**

(52) **U.S. Cl.**
USPC **D12/111**

(58) **Field of Classification Search**
USPC D12/111, 117; D21/412, 414, 419,
D21/423-428, 431-435
CPC B62K 3/00; B62K 3/02; B62K 3/06
See application file for complete search history.

(56) **References Cited**

U.S. PATENT DOCUMENTS

4,267,898 A * 5/1981 Wheaton B62M 7/08
180/205.5
D626,037 S * 10/2010 Thetard D12/111
D644,962 S * 9/2011 Schoonhoven D12/111
D670,208 S * 11/2012 Frenzel D12/111
D727,214 S * 4/2015 Yang D12/111
D730,781 S * 6/2015 Arbour D12/111
D774,972 S * 12/2016 Lambri D12/111
D797,003 S * 9/2017 Qiu D12/111
D847,033 S * 4/2019 Yan D12/111
D854,969 S * 7/2019 Gouin D12/111
D903,532 S * 12/2020 Ma D12/111
D910,497 S * 2/2021 Sun D12/111
D915,243 S * 4/2021 Sun D12/111
D915,244 S * 4/2021 Chen D12/111

D929,269 S 8/2021 Chen
D931,146 S * 9/2021 Huang D12/111
D938,314 S * 12/2021 Gray D12/111
D940,010 S * 1/2022 Hu D12/111
D944,126 S * 2/2022 Lu D12/111
D945,934 S * 3/2022 Ischepp D12/111
D948,383 S 4/2022 Hu et al.
11,299,226 B2 * 4/2022 Uimonen B62J 9/23
D950,424 S * 5/2022 Chien D12/111
D952,520 S * 5/2022 Liu D12/111
D956,631 S * 7/2022 Okonsky D12/111
D957,291 S * 7/2022 Deng D12/111
D960,053 S * 8/2022 Chen D12/111

(Continued)

OTHER PUBLICATIONS

M2S Bikes. "All Terrain Sport R750 FS Electric Commuter Bike." YouTube., Jul. 7, 2021 [online], [retrieved on Nov. 2, 2022]. Retrieved from the Internet <URL: <https://www.youtube.com/watch?v=ddZ-WduOyQU&t=1s>>.*

(Continued)

Primary Examiner — Darlington Ly

(74) *Attorney, Agent, or Firm* — Rumit Ranjit Kanakia

(57) **CLAIM**

The ornamental design for an electric bicycle, as shown and described.

DESCRIPTION

FIG. 1 is a front perspective view of an electric bicycle embodying my new design;
FIG. 2 is a rear perspective view thereof;
FIG. 3 is a left side elevation view thereof;
FIG. 4 is a right side elevation view thereof;
FIG. 5 is a front elevation view thereof;
FIG. 6 is a rear elevation view thereof;
FIG. 7 is a top plan view thereof; and,
FIG. 8 is a bottom plan view thereof.

1 Claim, 8 Drawing Sheets



(56)

References Cited

U.S. PATENT DOCUMENTS

D964,219 S * 9/2022 Xie D12/111
2010/0314187 A1* 12/2010 Chen B62M 6/60
180/206.8
2013/0001000 A1* 1/2013 Krieger B62M 6/45
180/206.3
2020/0062342 A1* 2/2020 Talavasek B62M 6/50
2020/0079471 A1* 3/2020 Eguchi B62K 19/40
2021/0214043 A1* 7/2021 Nishimori H01R 12/58

OTHER PUBLICATIONS

Electric Bike Report. "Velotric Discover 1 Review | Electric Step Thru Bike (2021)." YouTube., Nov. 2, 2021 [online], [retrieved on Nov. 2, 2022]. Retrieved from the Internet <URL: <https://www.youtube.com/watch?v=E7kemV1sAb0>>.*

All Electric. "Best Commuter Ebike? | Velotric Discover | Ebike Review." YouTube., Oct. 21, 2021 [online], [retrieved on Nov. 2, 2022]. Retrieved from the Internet <URL: <https://www.youtube.com/watch?v=t0G9BOs6XAo>>.*

Ebike Escape. "Aventon Level.2 Review: Aventon Moves to a Torque Sensor?!" YouTube., Sep. 18, 2022 [online], [retrieved on Nov. 2, 2022]. Retrieved from the Internet <URL: <https://www.youtube.com/watch?v=1vbnKqg2D8>>.*

* cited by examiner

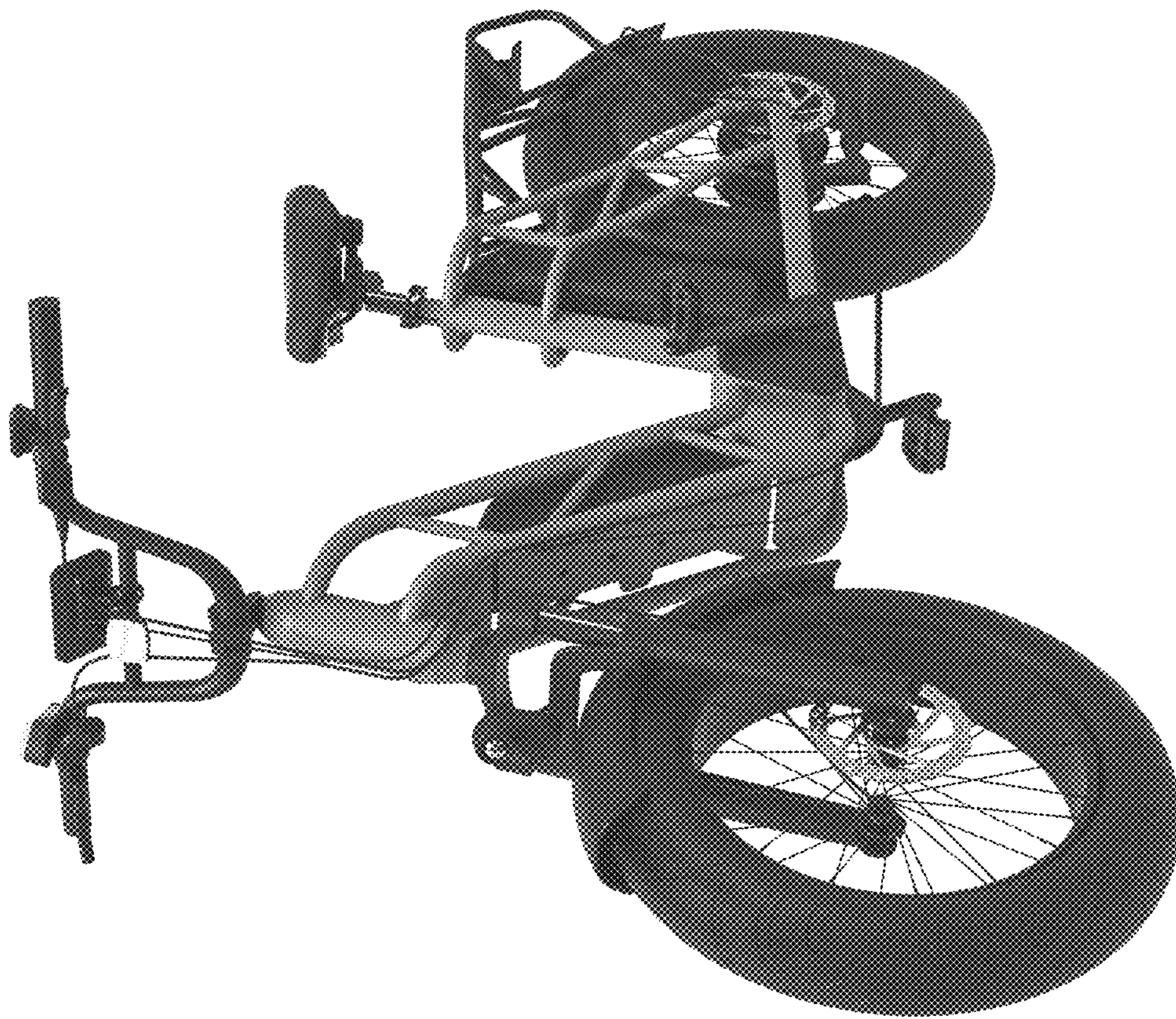


FIG. 1

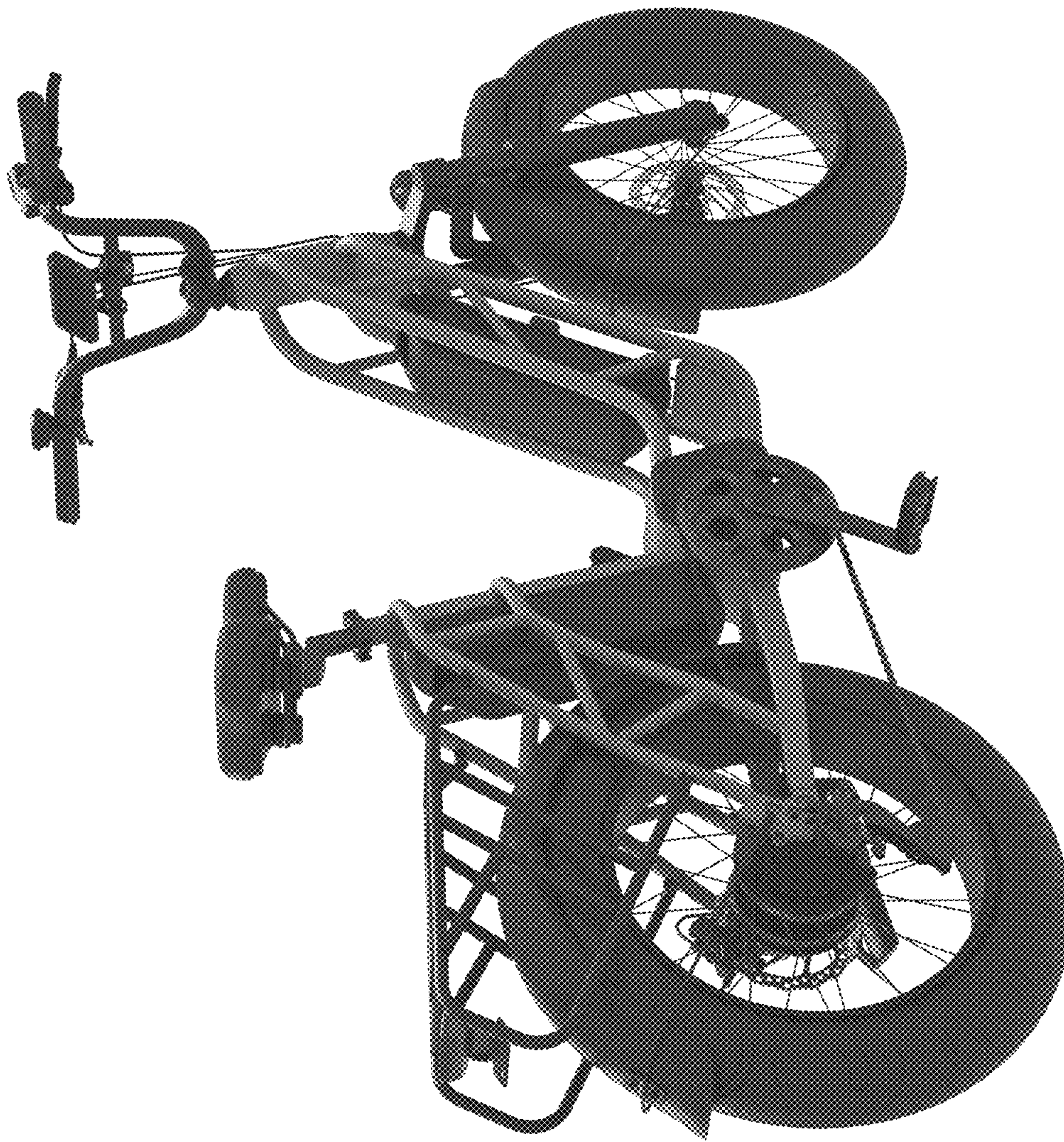


FIG. 2

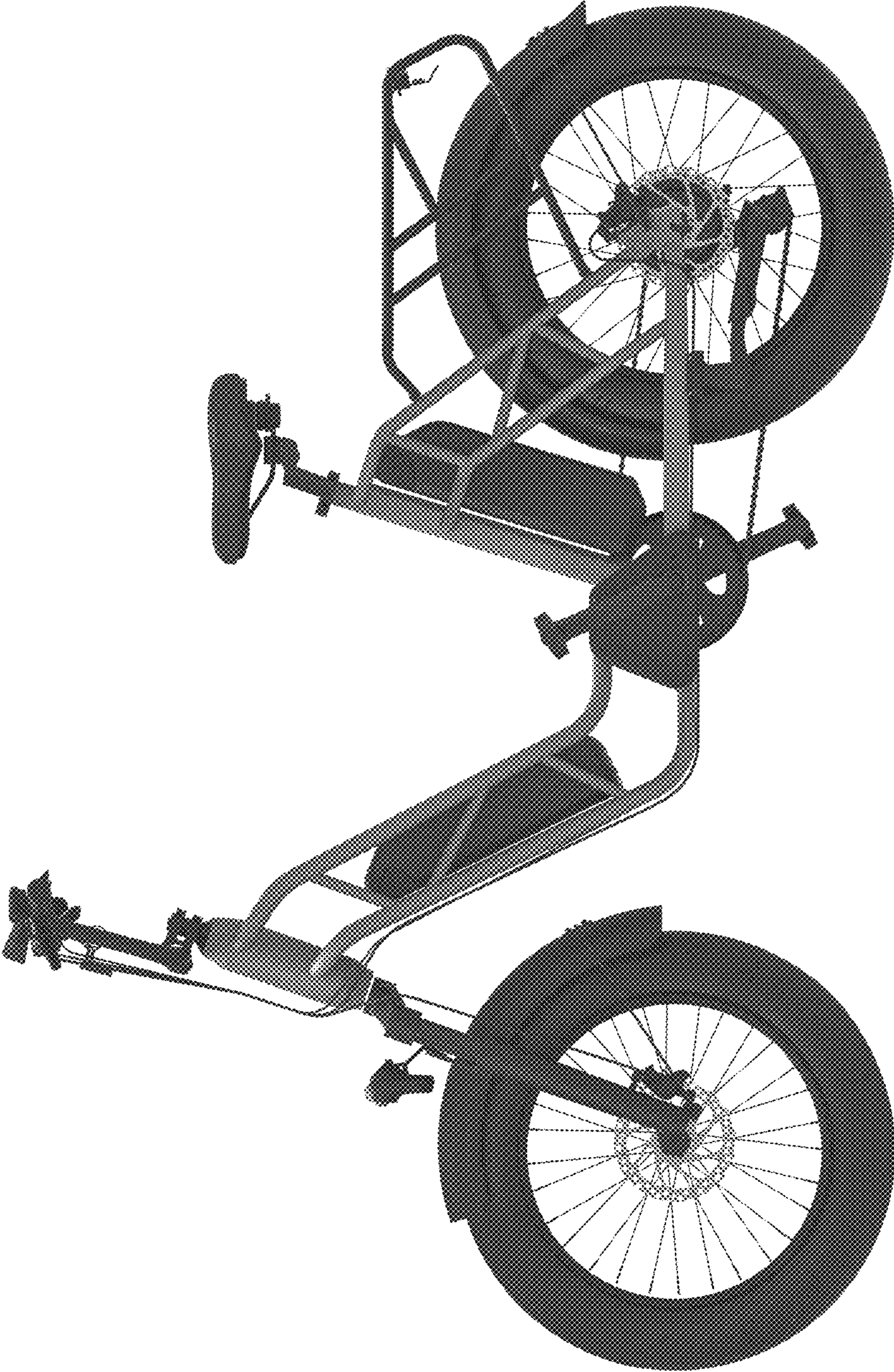


FIG. 3

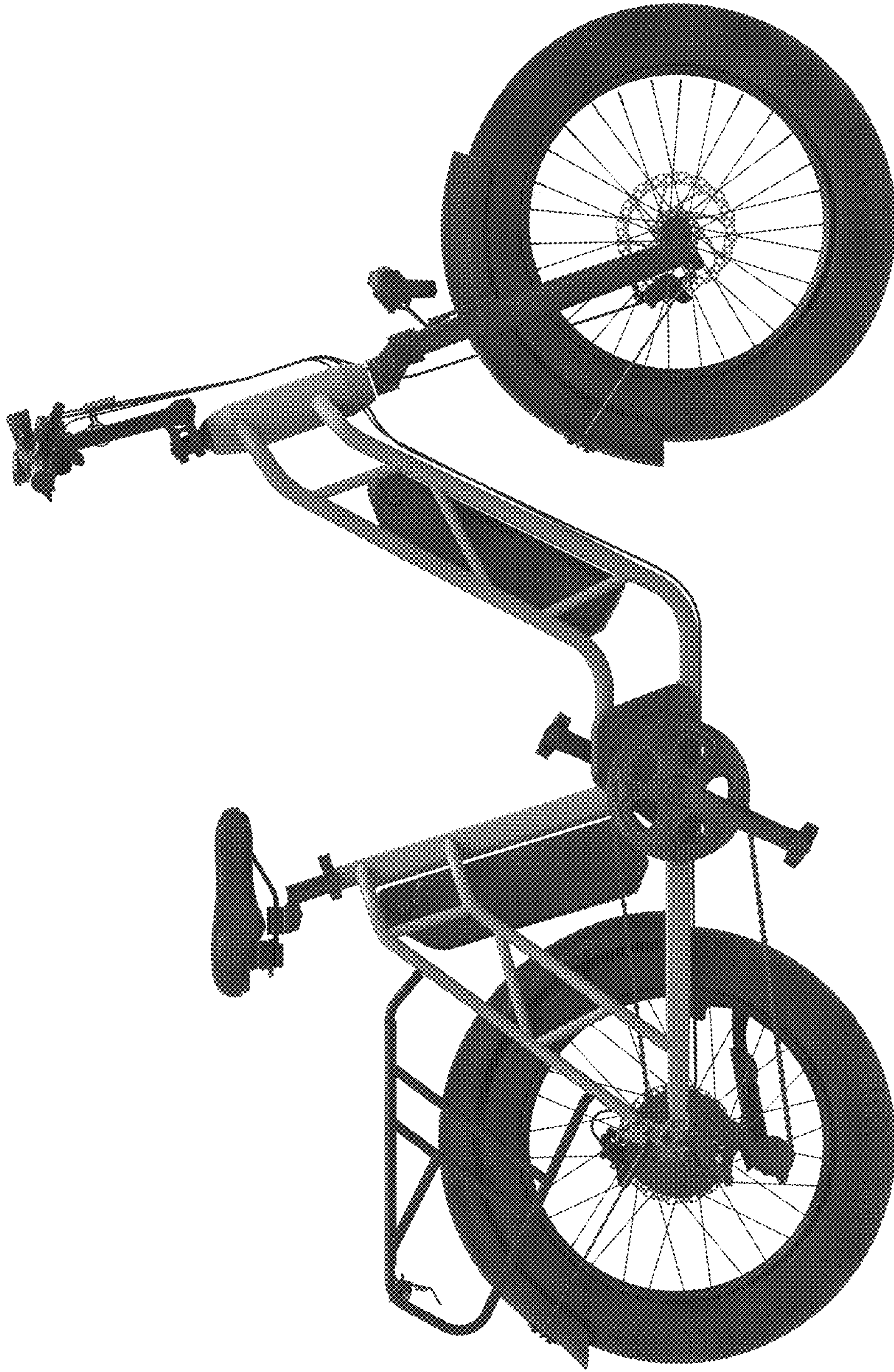


FIG. 4

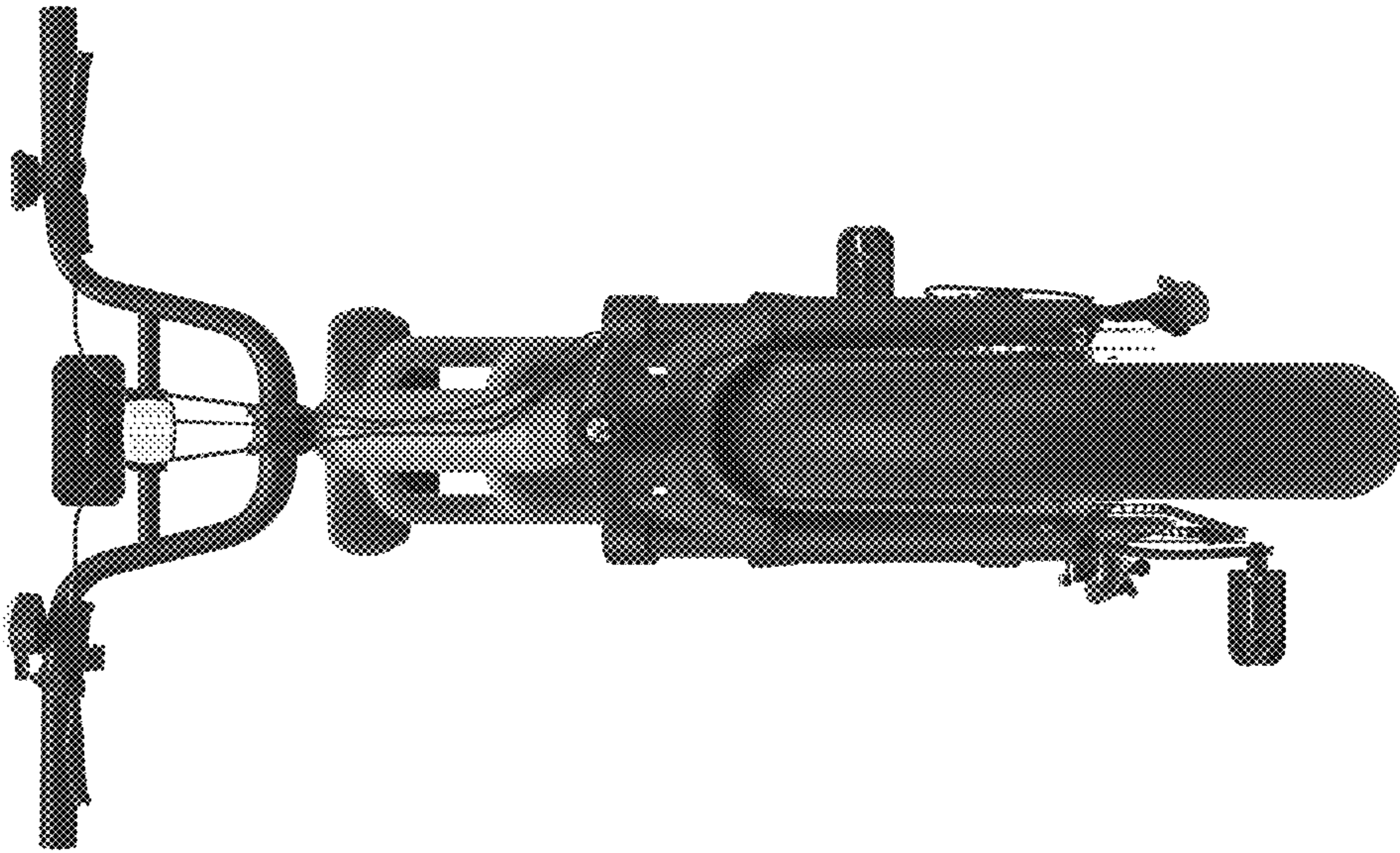


FIG. 5

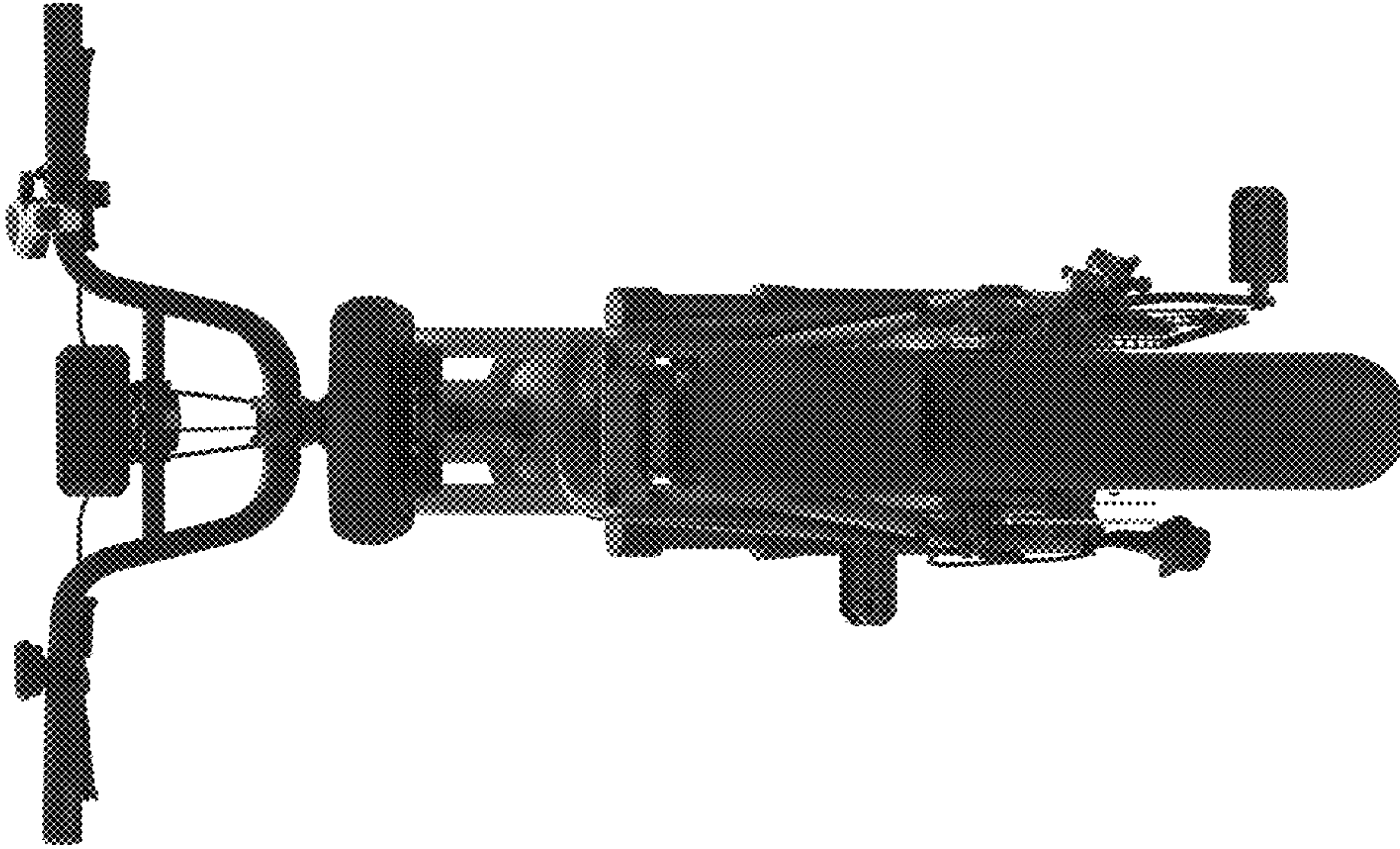


FIG. 6

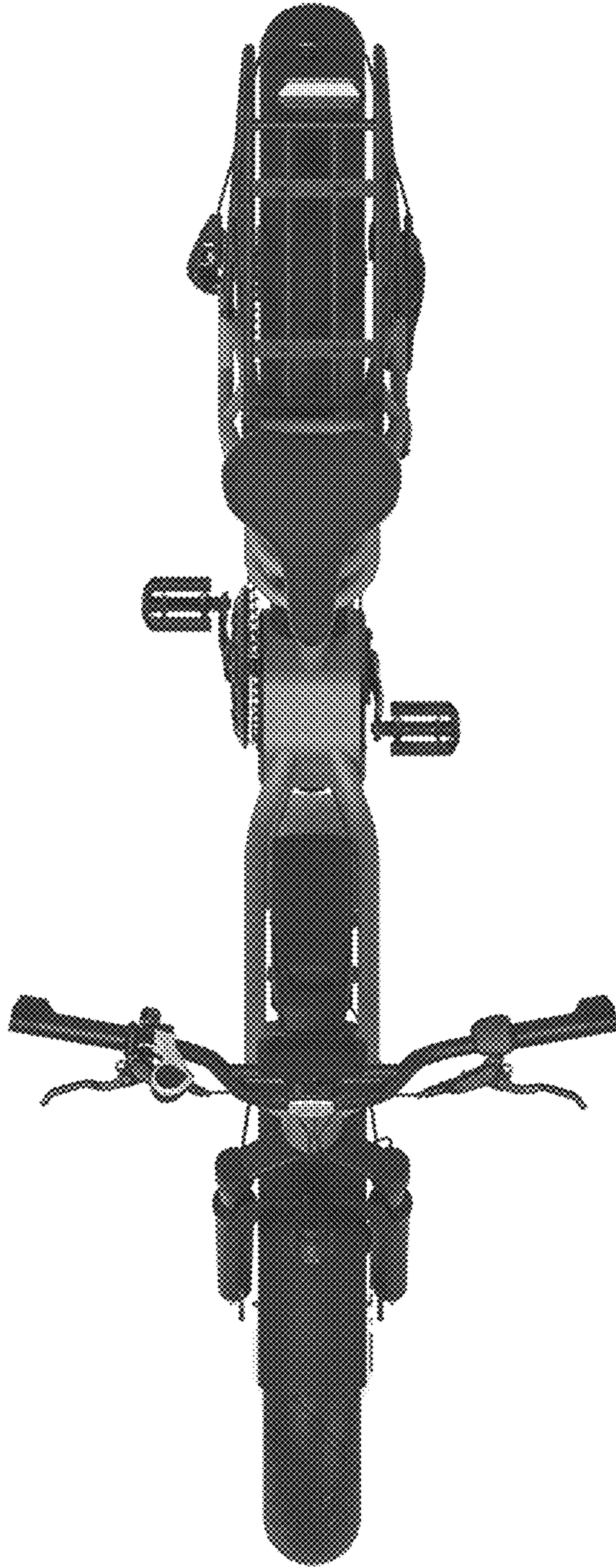


FIG. 7

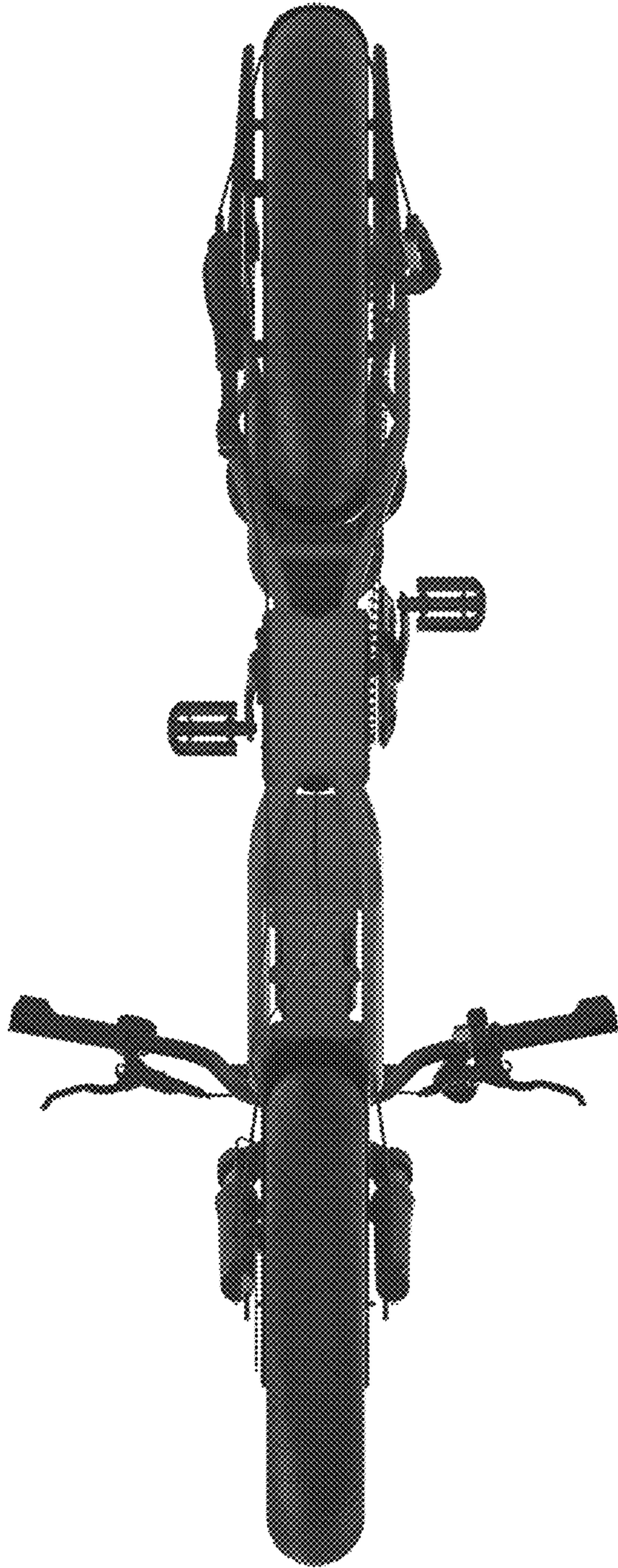


FIG. 8