



US00D980128S

(12) **United States Design Patent**
Drachev et al.

(10) **Patent No.:** **US D980,128 S**

(45) **Date of Patent:** **** *Mar. 7, 2023**

- (54) **ELECTRIC PICKUP TRUCK**
- (71) Applicants: **Alexander S. Drachev**, Khabarovsk (RU); **Wang Chao**, Beijing (CN)
- (72) Inventors: **Alexander S. Drachev**, Khabarovsk (RU); **Wang Chao**, Beijing (CN)
- (*) Notice: This patent is subject to a terminal disclaimer.

- D811,274 S * 2/2018 Platto D12/98
- D828,225 S * 9/2018 Zhang et al.
- D828,227 S * 9/2018 Ninov D12/98
- D869,991 S * 12/2019 Dewitt D12/98
- D869,992 S * 12/2019 Dewitt D12/98
- D896,129 S * 9/2020 Platto D12/98
- D899,313 S * 10/2020 Dewitt D12/98
- D899,314 S * 10/2020 Dewitt D12/98
- D899,315 S * 10/2020 Dewitt D12/98
- D899,316 S * 10/2020 Dewitt D12/98
- D907,533 S * 1/2021 Dewitt D12/98

(Continued)

(**) Term: **15 Years**

(21) Appl. No.: **29/746,314**

(22) Filed: **Aug. 13, 2020**

(51) **LOC (14) Cl.** **12-08**

(52) **U.S. Cl.**
USPC **D12/98**

(58) **Field of Classification Search**
USPC D12/86, 90-92, 164, 98; D21/424, 433, D21/434, 533; 296/181.1, 181.5, 181.3, 296/183.1, 37.6
CPC B60R 9/06; B62D 35/00
See application file for complete search history.

(56) **References Cited**

U.S. PATENT DOCUMENTS

- D188,181 S 6/1960 Gallagher
- D277,494 S 2/1985 Lerch
- D312,806 S 12/1990 Page
- D331,732 S 12/1992 Bolduc
- D332,072 S 12/1992 Shirlin et al.
- D372,211 S 7/1996 Hunter et al.
- D440,187 S 4/2001 Ragone
- D479,157 S 9/2003 Hayashi et al.
- D521,901 S 5/2006 Dean
- D570,742 S 6/2008 Takagi et al.
- D579,382 S 10/2008 Arnone et al.
- D645,380 S 9/2011 Beigel et al.
- D763,738 S * 8/2016 Dewitt D12/98
- D775,551 S * 1/2017 Platto D12/98
- D809,429 S * 2/2018 Platto D12/98

OTHER PUBLICATIONS

“The Pickman XR” by Pickman, Publicly disclosed On [Nov. 5, 2019] https://static.wixstatic.com/media/eab1e3_679bc963b91e48efb117efc56d9cb324~mv2.png.

(Continued)

Primary Examiner — Melody N Brown
(74) *Attorney, Agent, or Firm* — LegalForce RAPC Worldwide

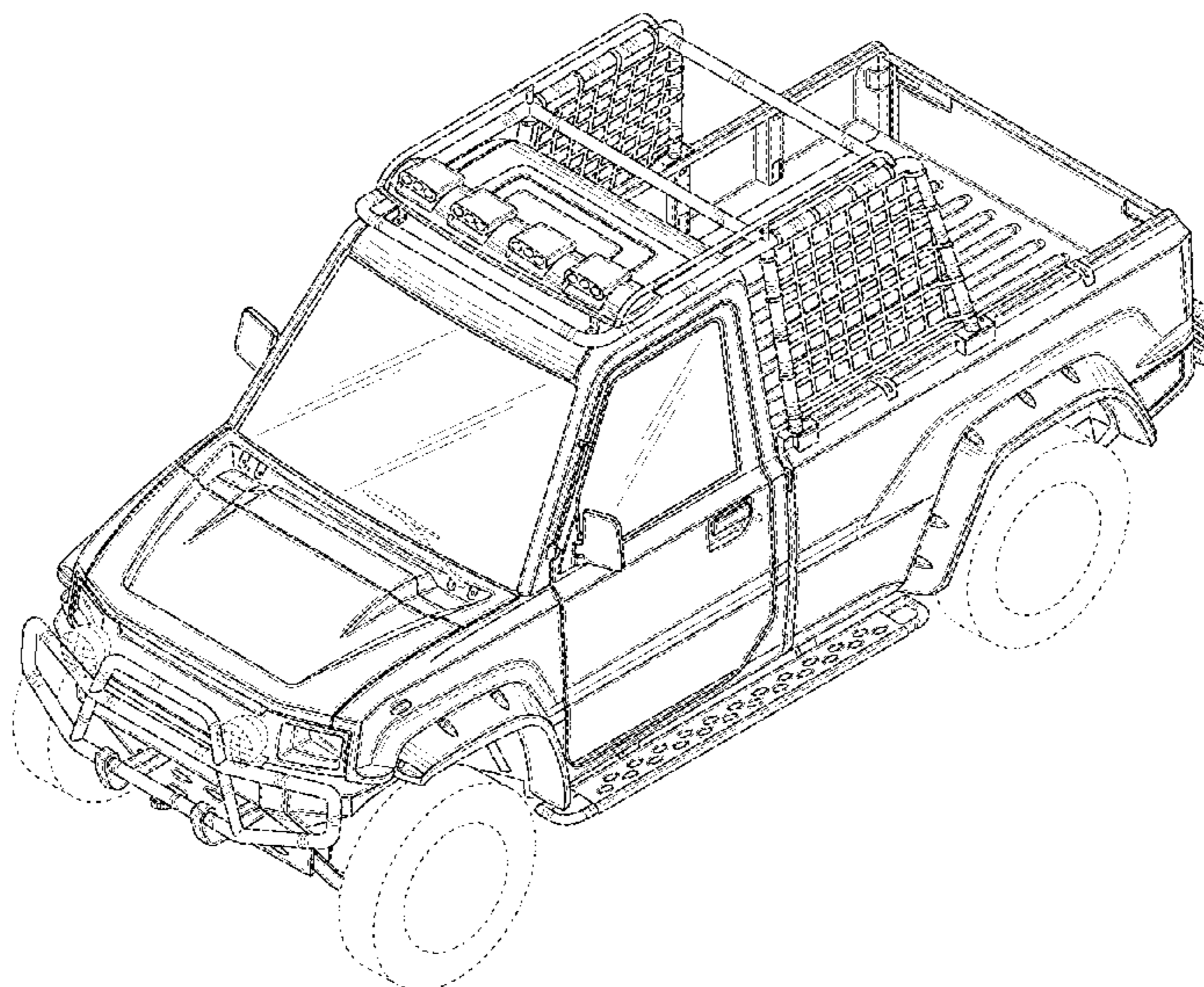
(57) **CLAIM**

The ornamental design for an electric pickup truck, as shown and described.

DESCRIPTION

FIG. 1 is a top, front and right side perspective view of an electric pickup truck showing our new design; FIG. 2 is a front elevational view thereof; FIG. 3 is a rear elevational view thereof; FIG. 4 is a left side elevational view thereof; FIG. 5 is a right side elevational view thereof; FIG. 6 is a top plan view thereof; and, FIG. 7 is a bottom plan view thereof. The broken lines shown throughout the drawing views are for illustrative and environmental purposes and form no part of the claimed design.

1 Claim, 7 Drawing Sheets



(56)

References Cited

U.S. PATENT DOCUMENTS

D908,539 S *	1/2021	Dewitt	D12/98
D912,580 S *	3/2021	Dewitt	D12/98
D913,163 S *	3/2021	Kaoud	D12/98
D929,261 S *	8/2021	Kaoud	D12/98
D929,262 S *	8/2021	Kaoud	D12/98
D929,263 S *	8/2021	Kaoud	D12/98

OTHER PUBLICATIONS

“The Pickman Classic”by Pickman, Found Online On [Jul. 14, 2020] https://static.wixstatic.com/media/08456a_eeb1ded03c8f418aaf11210c5568afa3~mv2.jpg/v1/fill/w_800,h_449,al_c,q_80,usm_0.66_1.00_0.01/08456a_eeb1ded03c8f418aaf11210c5568afa3~mv2.webp.
 “Hongdi brand mini Electric Scooter pickup truck”, by Hongd, Found Online On [Aug. 20, 2020] <https://sc02.alicdn.com/kf/H91820516a9004bc3b398b943c80a9239b.jpg>.

“Electric Cargo Truck Electric Pickup Farm Truck”, by Alin, Found Online On [Aug. 20, 2020] <https://image.made-in-china.com/202f0j00RqEfDZtFbybS/China-AI-PU02-Electric-Cargo-Truck-Electric-Pickup-Farm-Truck.jpg>.

“Electric Pickup Car Electric truck Electric Cargo Truck”, by REMANVIL, Found Online On [Aug. 20, 2020] <https://sc01.alicdn.com/kf/H542990f999814d369f6ee3411fa2c44ci.jpg>.

“Mini Paceman Pick-up”, by BMW, Found Online On [Aug. 20, 2020] https://www.autocar.co.uk/sites/autocar.co.uk/files/styles/gallery_slide/public/mini-concept-008.jpg?itok=S_M4tpkd.

“P100 Electric Mini Pickup Truck, Electric Passenger Car with a Mini Deck, Low Speed Vehicle”, by SUNTAE, Found Online On [Aug. 20, 2020] <https://image.made-in-china.com/202f0j00EtDURFQBofrL/P100-Electric-Mini-Pickup-Truck-Electric-Passenger-Car-with-a-Mini-Deck-Low-Speed-Vehicle.jpg>.

“2018 Excellent Chinese electric mini pickup truck”, by R&Z, Published in 2018 <https://sc02.alicdn.com/kf/HTB1VEm3n4rl8KJjy0Fpq6z5hVXah.jpg>.

* cited by examiner

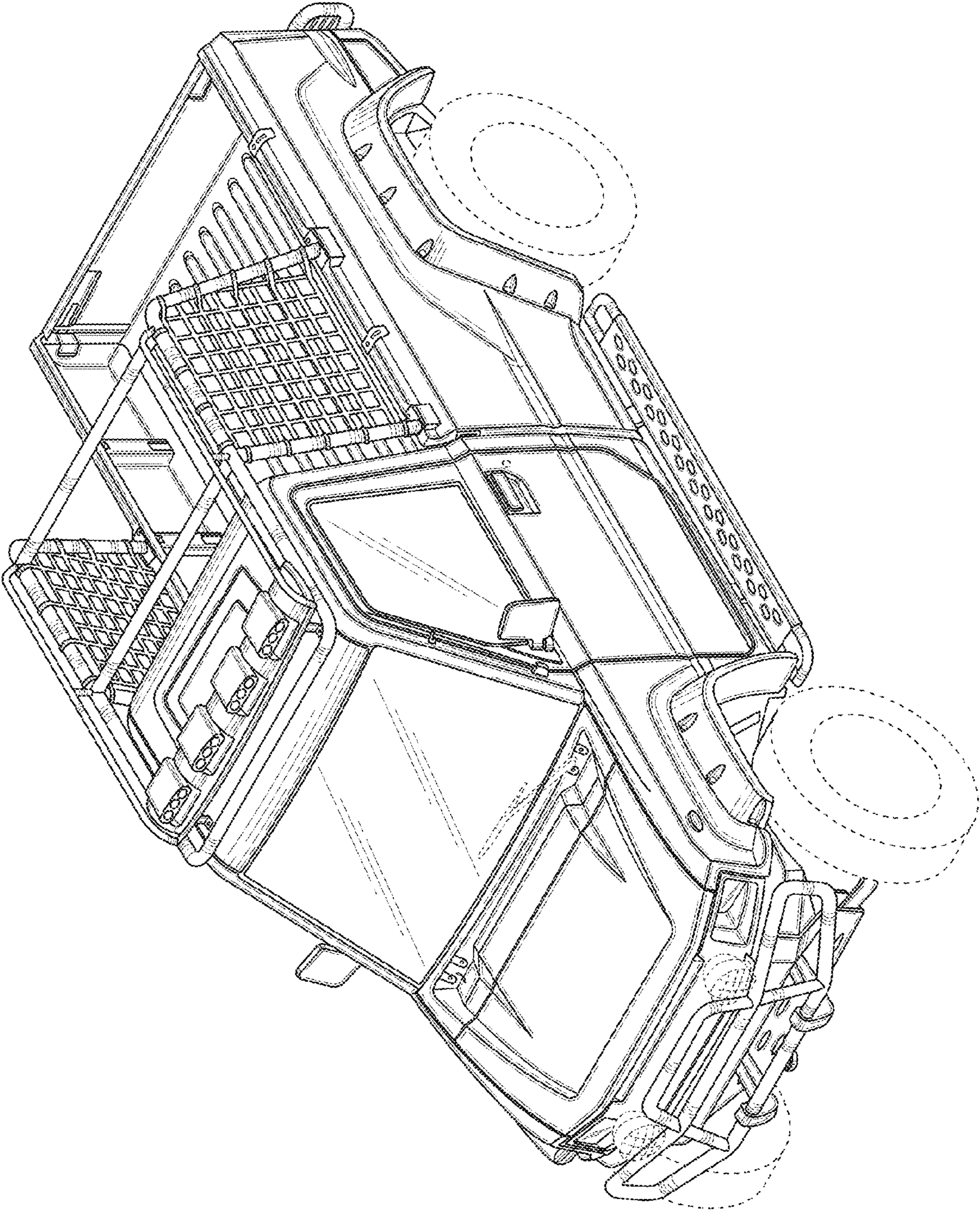


FIG. 1

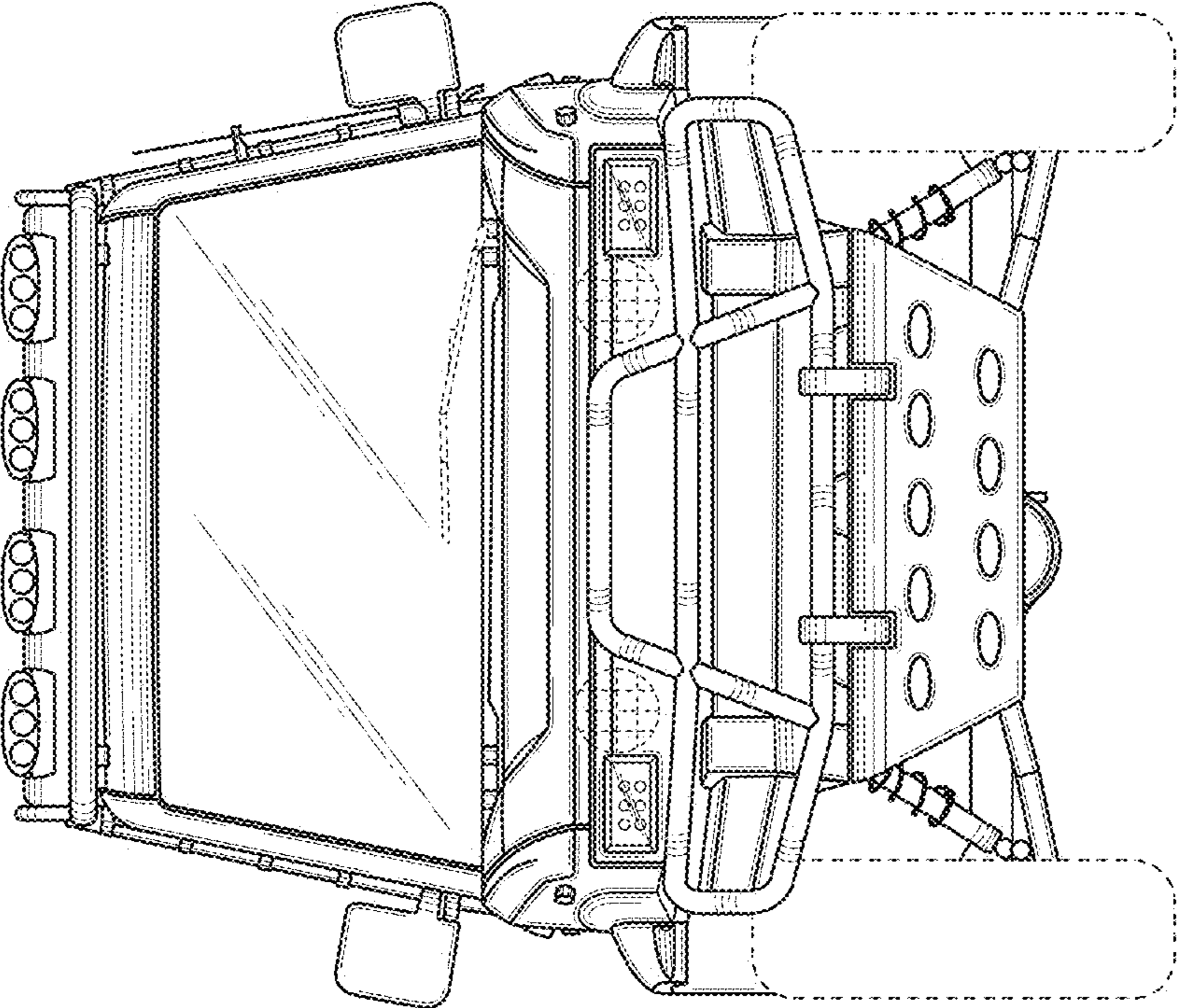


FIG. 2

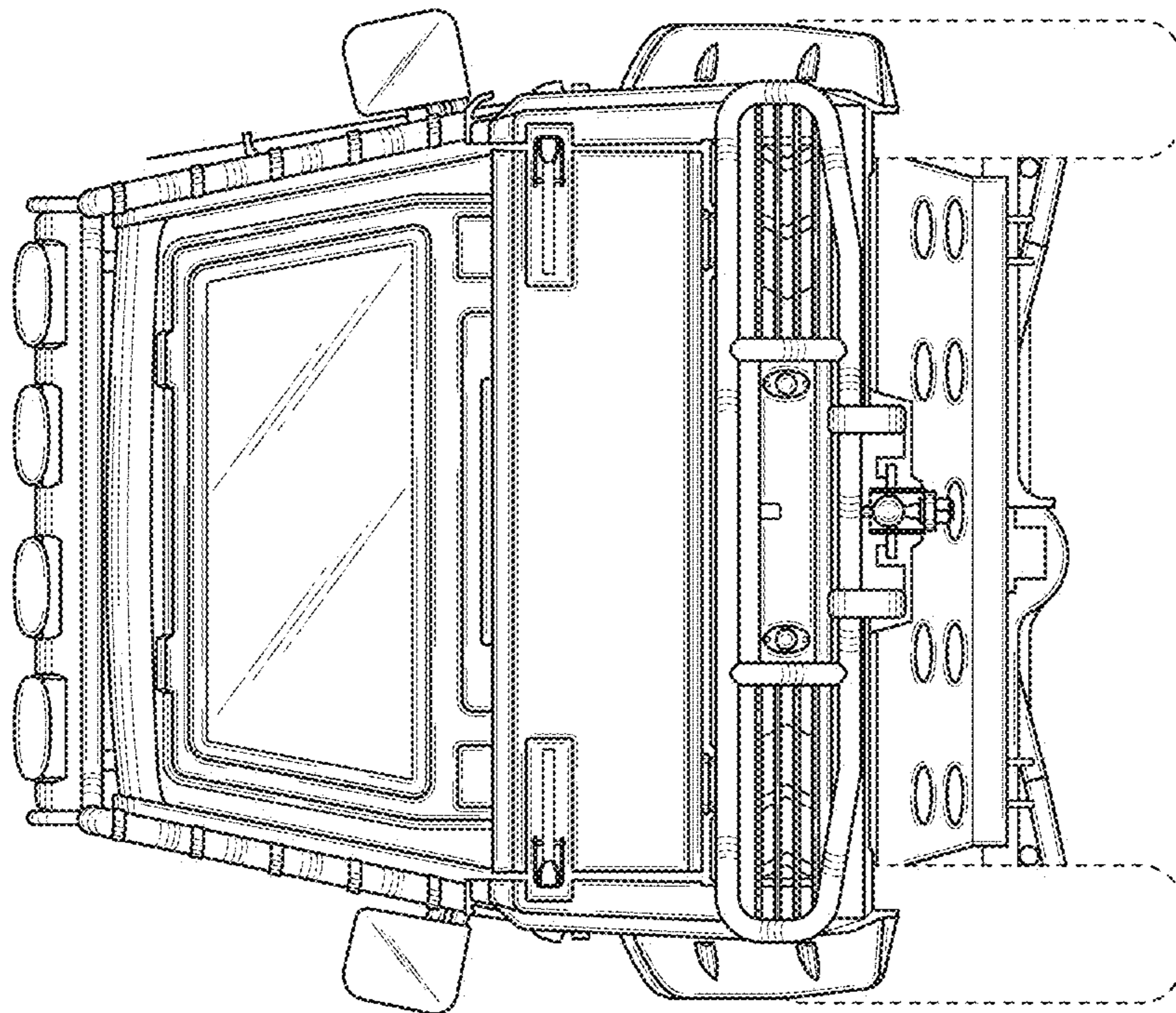


FIG. 3

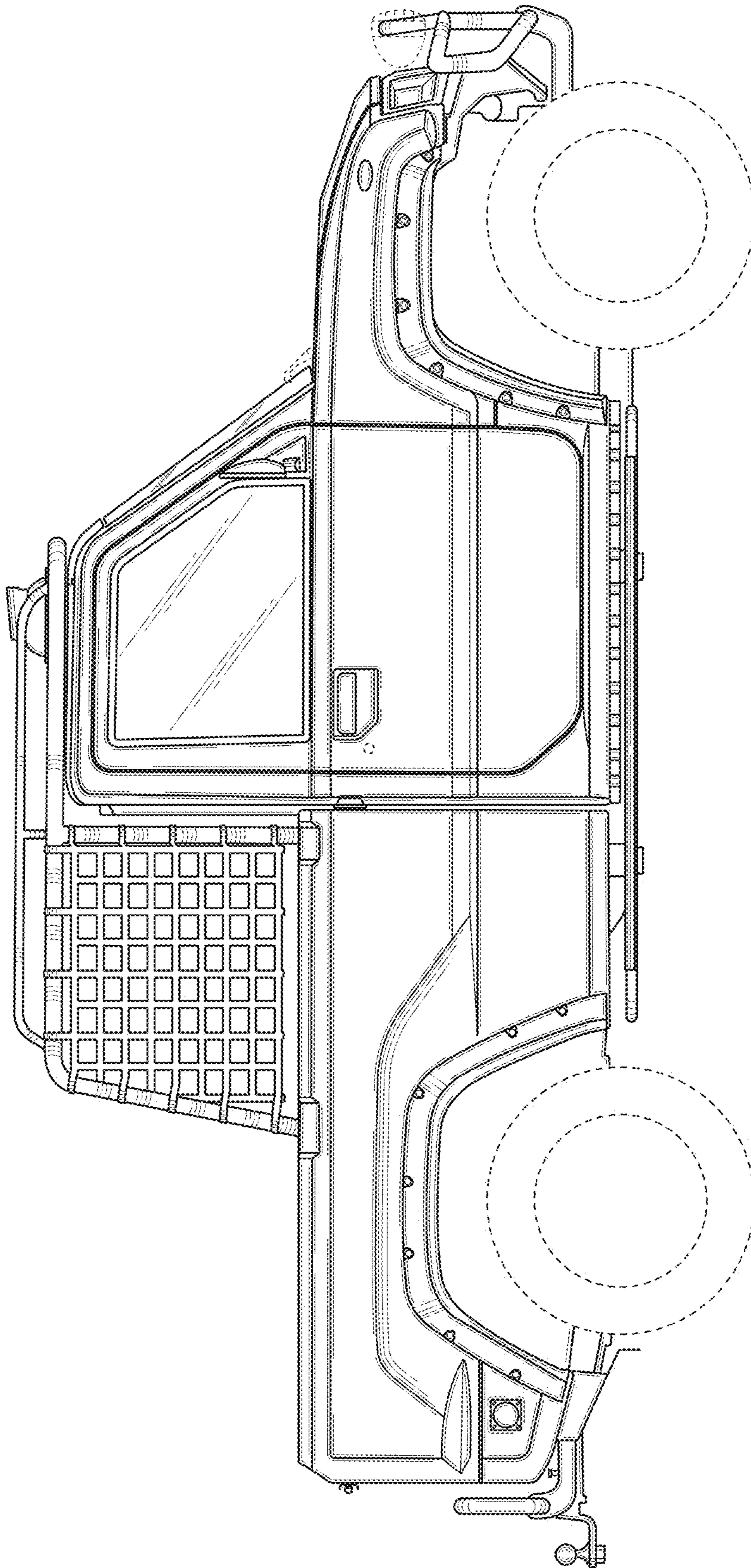


FIG. 4

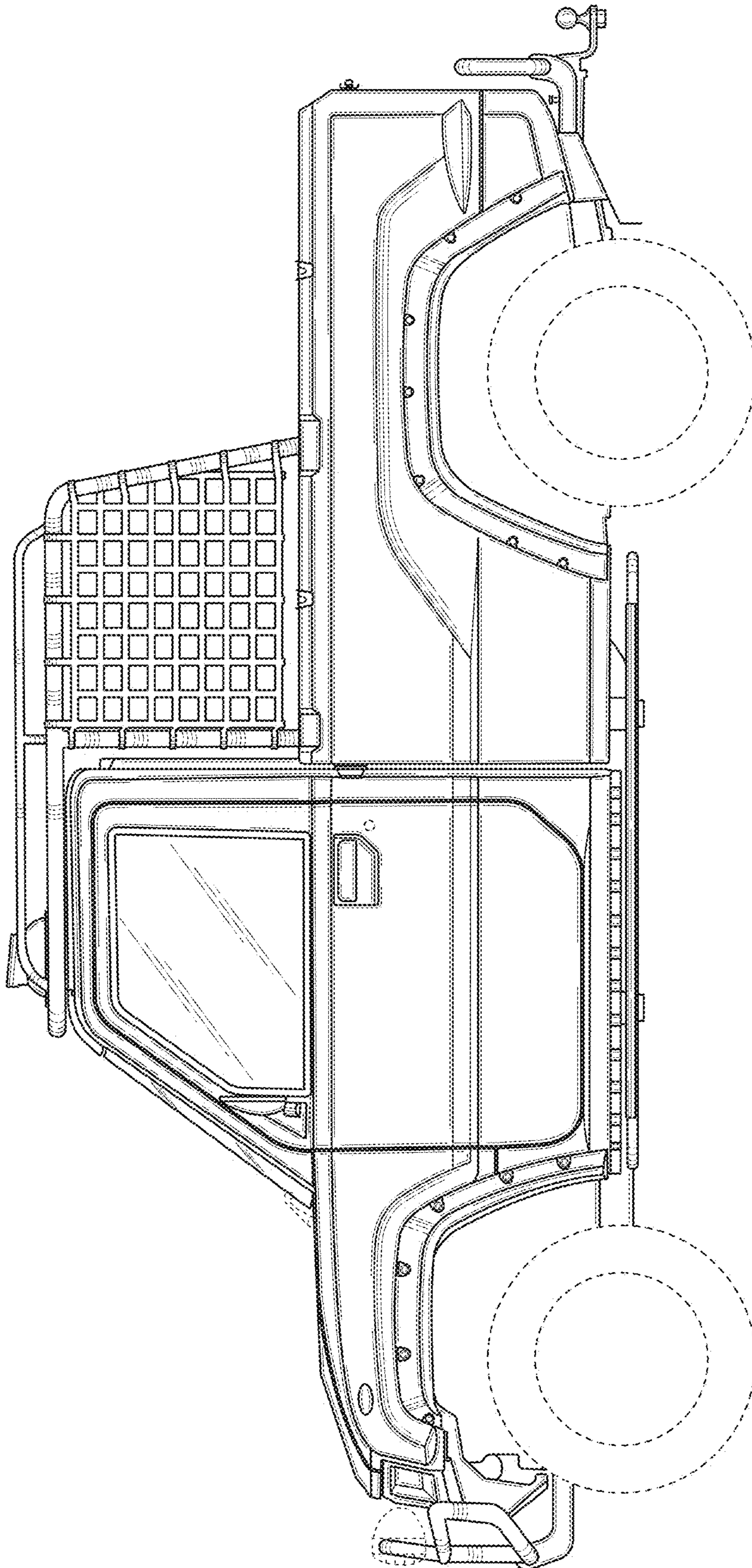


FIG. 5

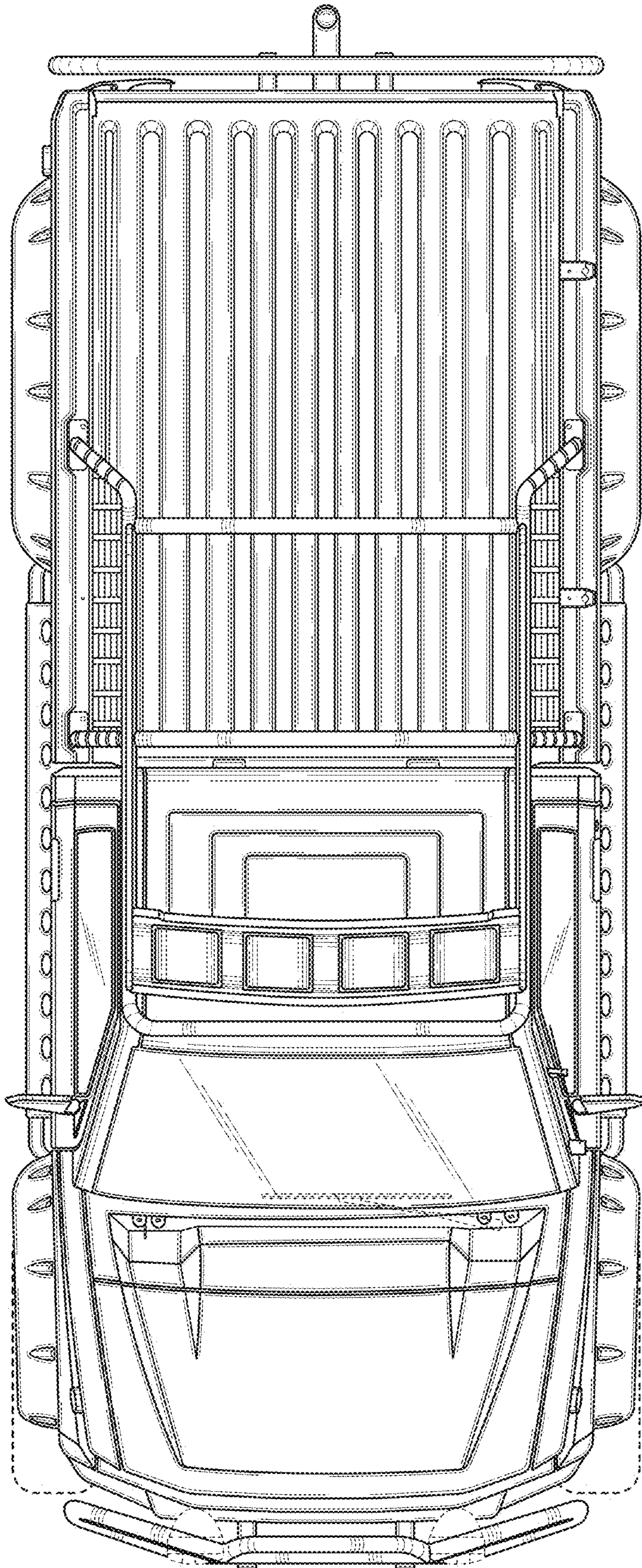


FIG. 6

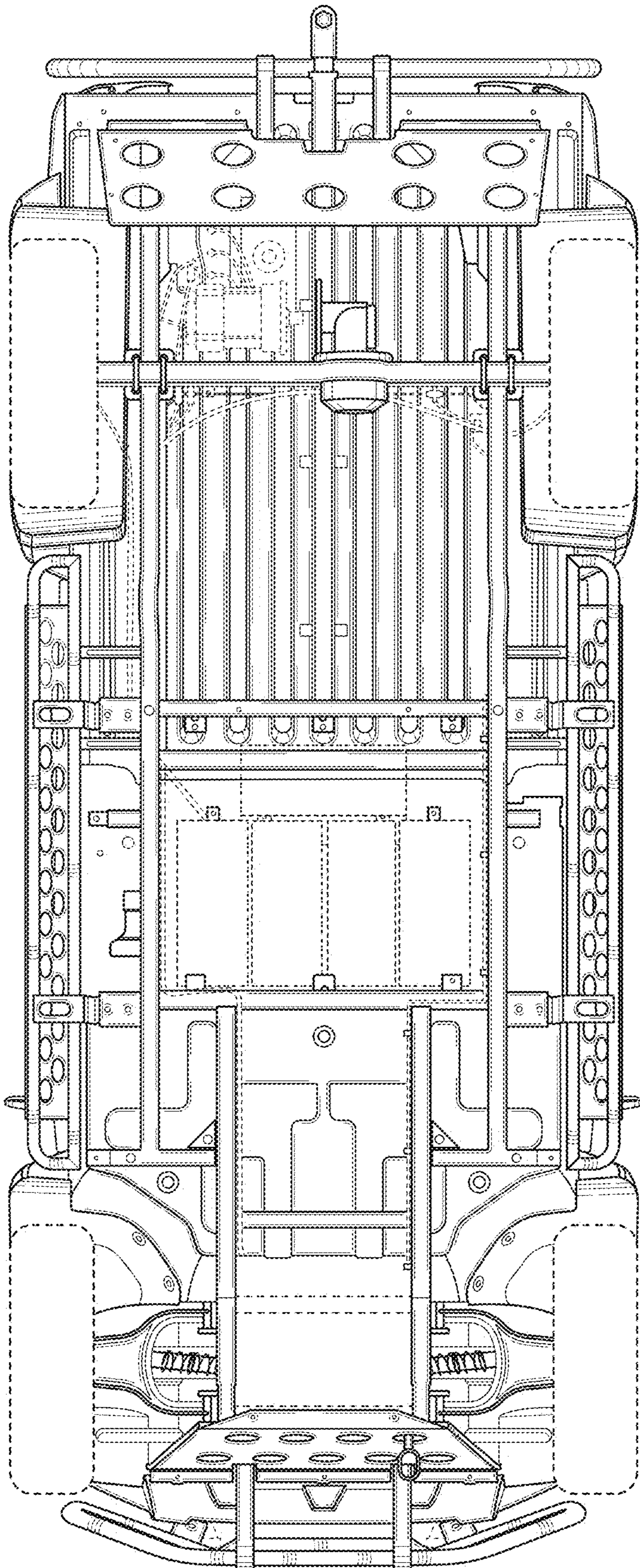


FIG. 7