



US00D980124S

(12) **United States Design Patent**
Borkert

(10) **Patent No.:** **US D980,124 S**
(45) **Date of Patent:** **** Mar. 7, 2023**

(54) **MOTOR CAR, TOY CAR REPLICA AND/OR OTHER REPLICA**

(71) Applicant: **AUTOMOBILI LAMBORGHINI S.P.A.**, Sant'Agata Bolognese (IT)

(72) Inventor: **Mitja Borkert**, Castelnuovo Rangone (IT)

(73) Assignee: **AUTOMOBILI LAMBORGHINI S.P.A.**, Sant'agata Bolognese (IT)

(**) Term: **15 Years**

(21) Appl. No.: **29/786,774**

(22) Filed: **Jun. 2, 2021**

(30) **Foreign Application Priority Data**

Dec. 16, 2020 (EM) 008324024-0001

(51) **LOC (14) Cl.** **12-08**

(52) **U.S. Cl.**
USPC **D12/88**

(58) **Field of Classification Search**
USPC D12/86, 90-92, 164; D21/433, 434, 533,
D21/535; 296/181.1-181.5, 183.1
CPC B62D 25/00; B62D 25/06; B62D 33/00;
B62D 35/00
See application file for complete search history.

(56) **References Cited**

U.S. PATENT DOCUMENTS

D715,690 S	*	10/2014	Perini	D12/88
D768,035 S	*	10/2016	Goto	D12/88
D772,106 S	*	11/2016	Hitzinger	D12/88
D790,398 S	*	6/2017	Perini	D12/88
D790,402 S	*	6/2017	Perini	D12/92
D801,227 S	*	10/2017	Stephenson	D12/88
D839,133 S	*	1/2019	Hilton	D12/88

D844,488 S	*	4/2019	Melville	D12/88
D845,170 S	*	4/2019	Melville	D12/88
D848,313 S	*	5/2019	Kanki	D12/88
D869,336 S	*	12/2019	Borkert	D12/88
D871,969 S	*	1/2020	Selipanov	D12/88
D873,176 S	*	1/2020	Borkert	D12/88
D887,901 S	*	6/2020	Shkinder	D12/92
D891,300 S	*	7/2020	Borkert	D12/88
D891,301 S	*	7/2020	Borkert	D12/88
D891,302 S	*	7/2020	Borkert	D12/88
D897,898 S	*	10/2020	Manzoni	D12/88
D897,899 S	*	10/2020	Borkert	D12/88
D897,900 S	*	10/2020	Borkert	D12/88
D898,615 S	*	10/2020	Manzoni	D12/88
D899,305 S	*	10/2020	Melville	D12/88
D906,173 S	*	12/2020	Carr	D12/88
D906,888 S	*	1/2021	Satulovsky	D12/98
D911,874 S	*	3/2021	Melville	D12/88
D913,155 S	*	3/2021	Pishevar	D12/88

(Continued)

Primary Examiner — Melody N Brown

(74) *Attorney, Agent, or Firm* — Shuttleworth & Ingersoll, PLC; Timothy J. Klima

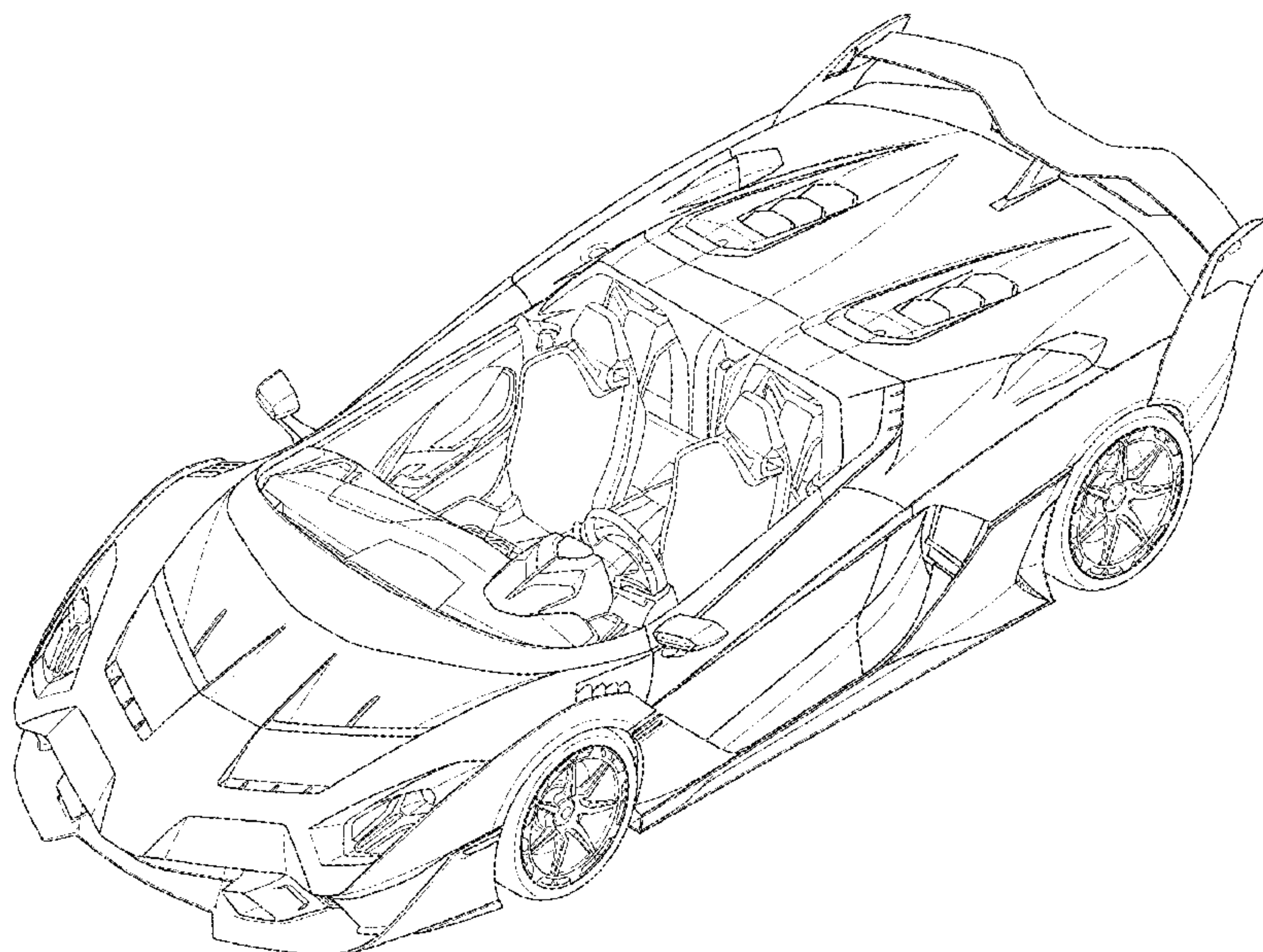
(57) **CLAIM**

The ornamental design for a motor car, toy car replica and/or other replica, as shown and described.

DESCRIPTION

FIG. 1 is a top, front and left side perspective view of a motor car, toy car replica and/or other replica showing my new design;
FIG. 2 is a top, rear and left side perspective view thereof;
FIG. 3 is a top view thereof;
FIG. 4 is a left side view thereof;
FIG. 5 is a right side view thereof;
FIG. 6 is a front view thereof;
FIG. 7 is a rear view thereof; and,
FIG. 8 is a bottom view thereof.

1 Claim, 8 Drawing Sheets



(56)

References Cited

U.S. PATENT DOCUMENTS

D913,848	S	*	3/2021	Suehlmann	D12/88
D914,542	S	*	3/2021	Jirec	D12/88
D915,239	S	*	4/2021	Cattabriga	D12/86
D918,312	S	*	5/2021	Manzoni	D21/548
D920,841	S	*	6/2021	Bonzanigo	D12/88
D945,924	S	*	3/2022	Borkert	D12/88
D945,925	S	*	3/2022	Borkert	D12/88
D945,926	S	*	3/2022	Borkert	D12/88

* cited by examiner

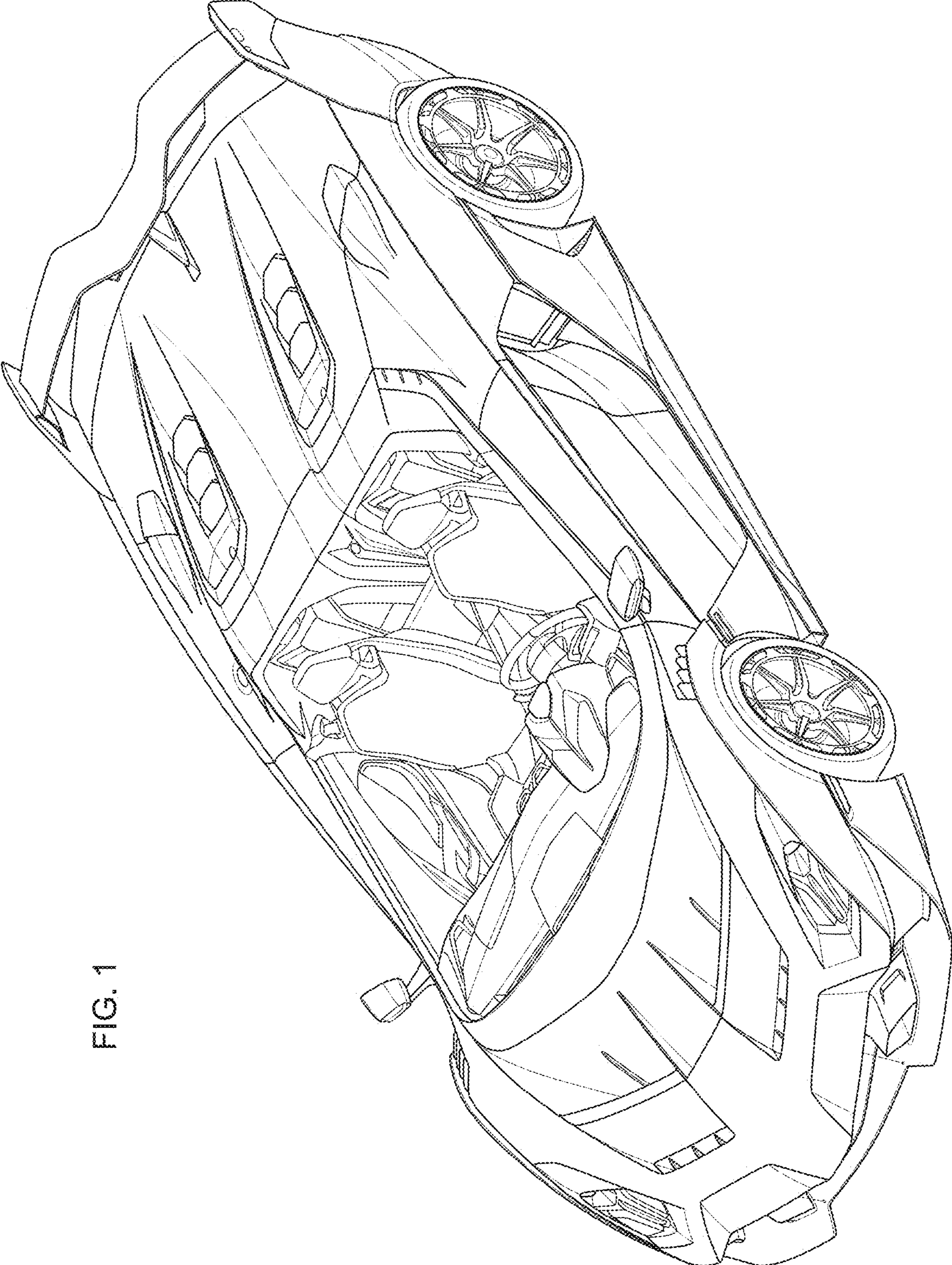


FIG. 1

FIG. 2

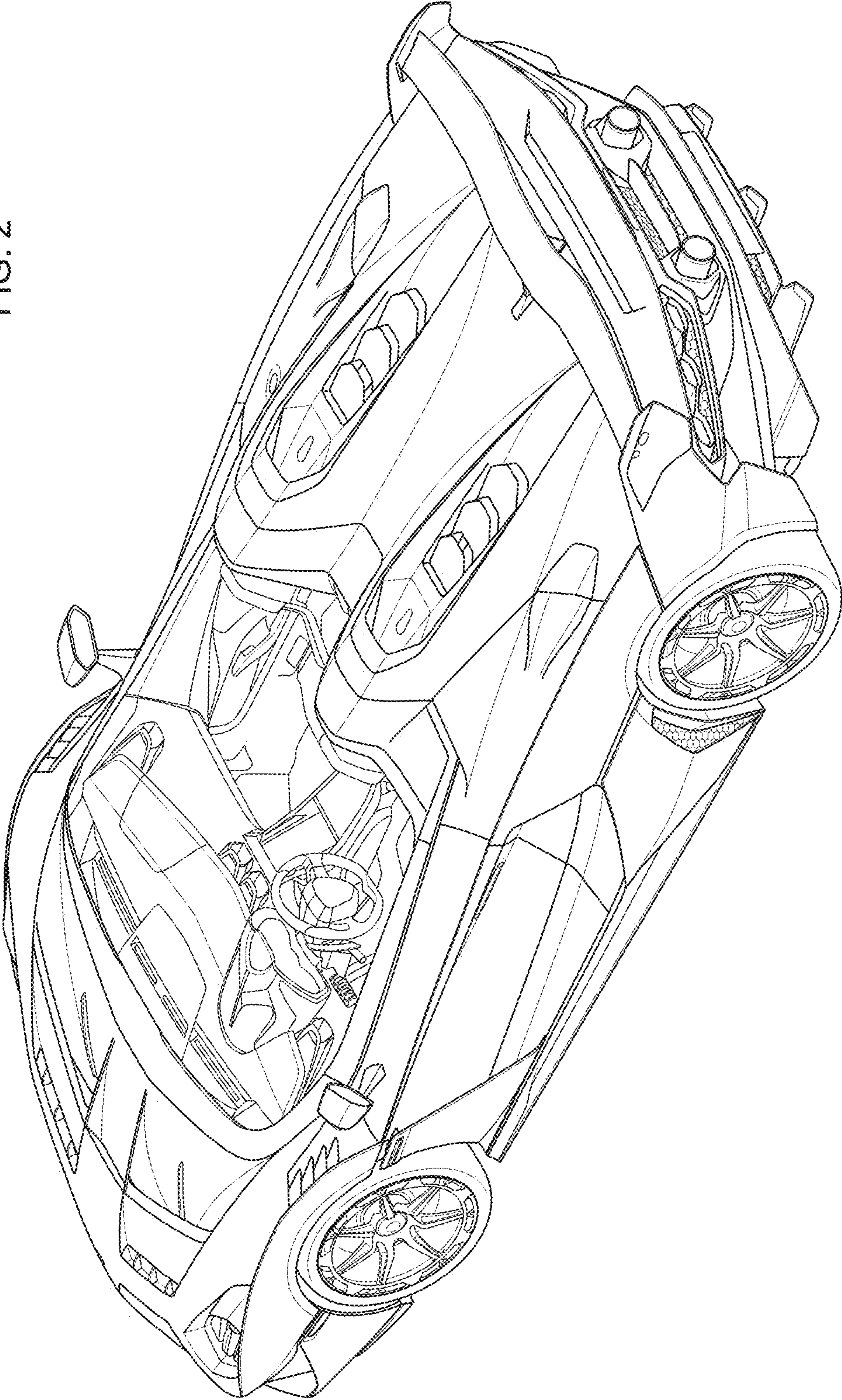


FIG. 3

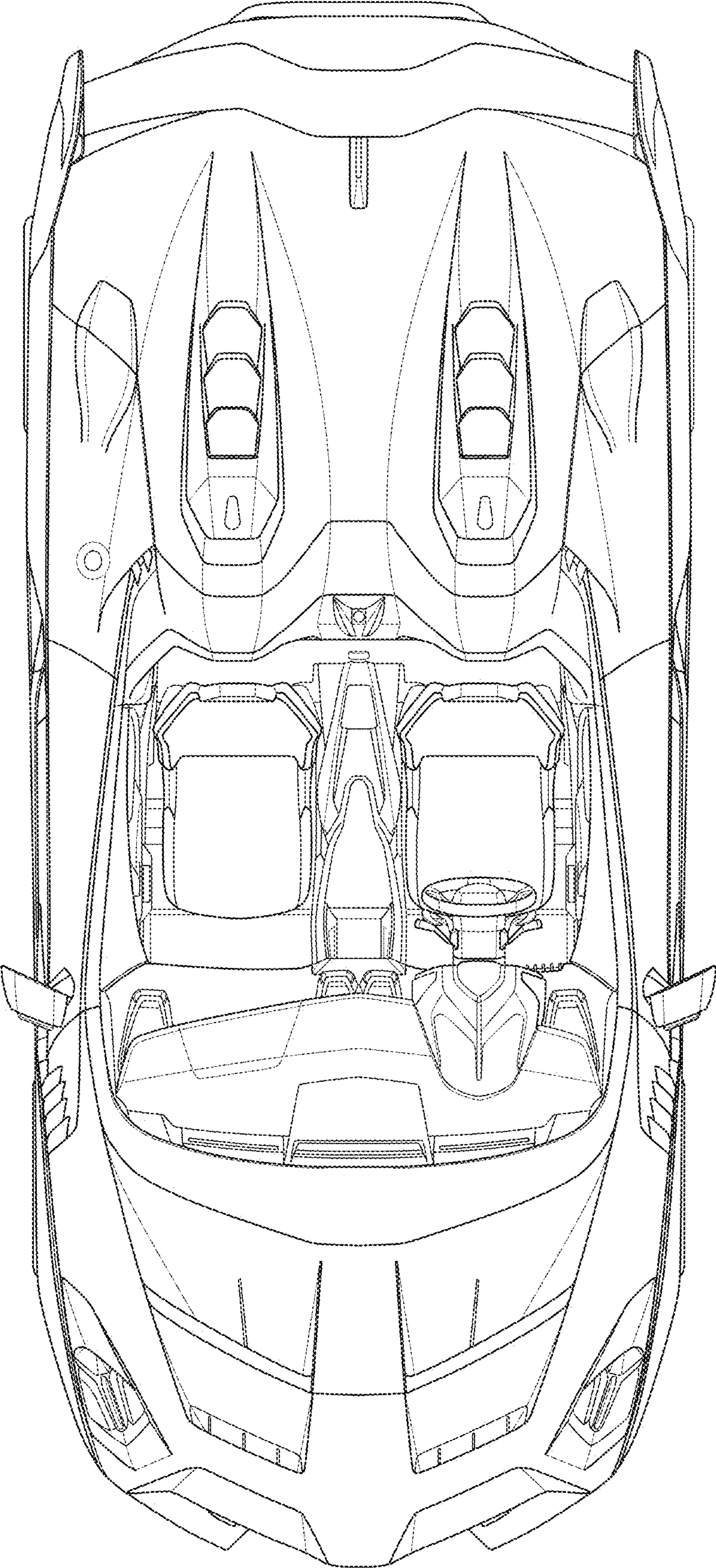


FIG. 4

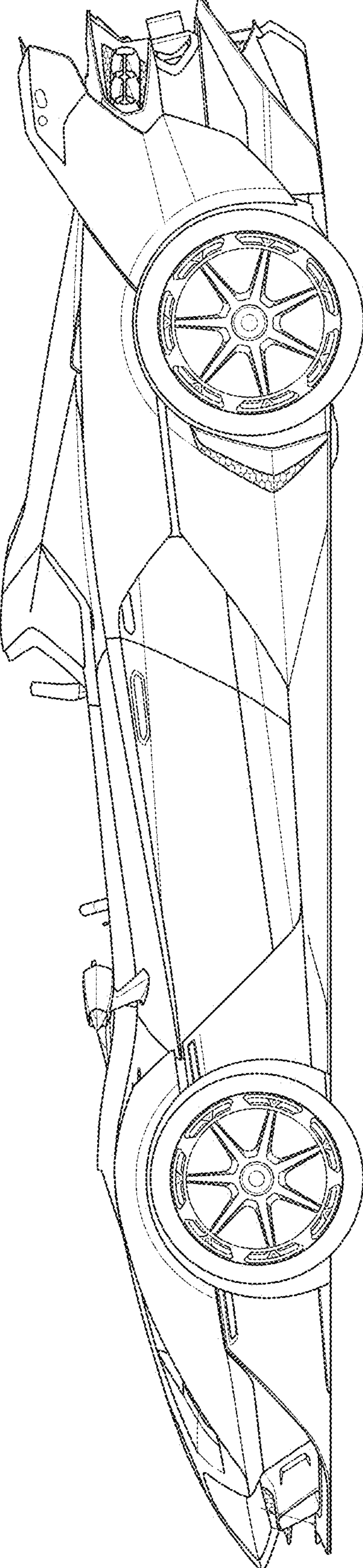


FIG. 5

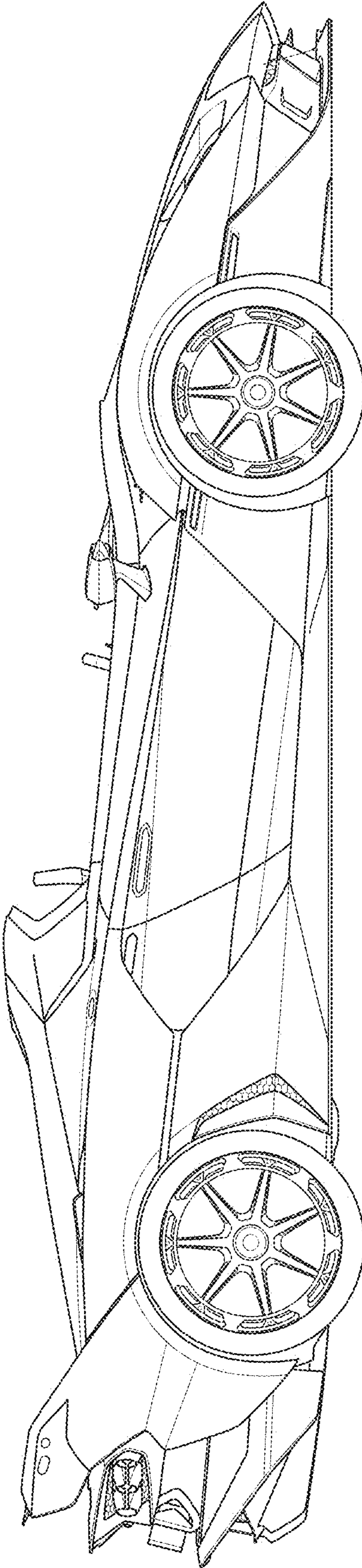


FIG. 6

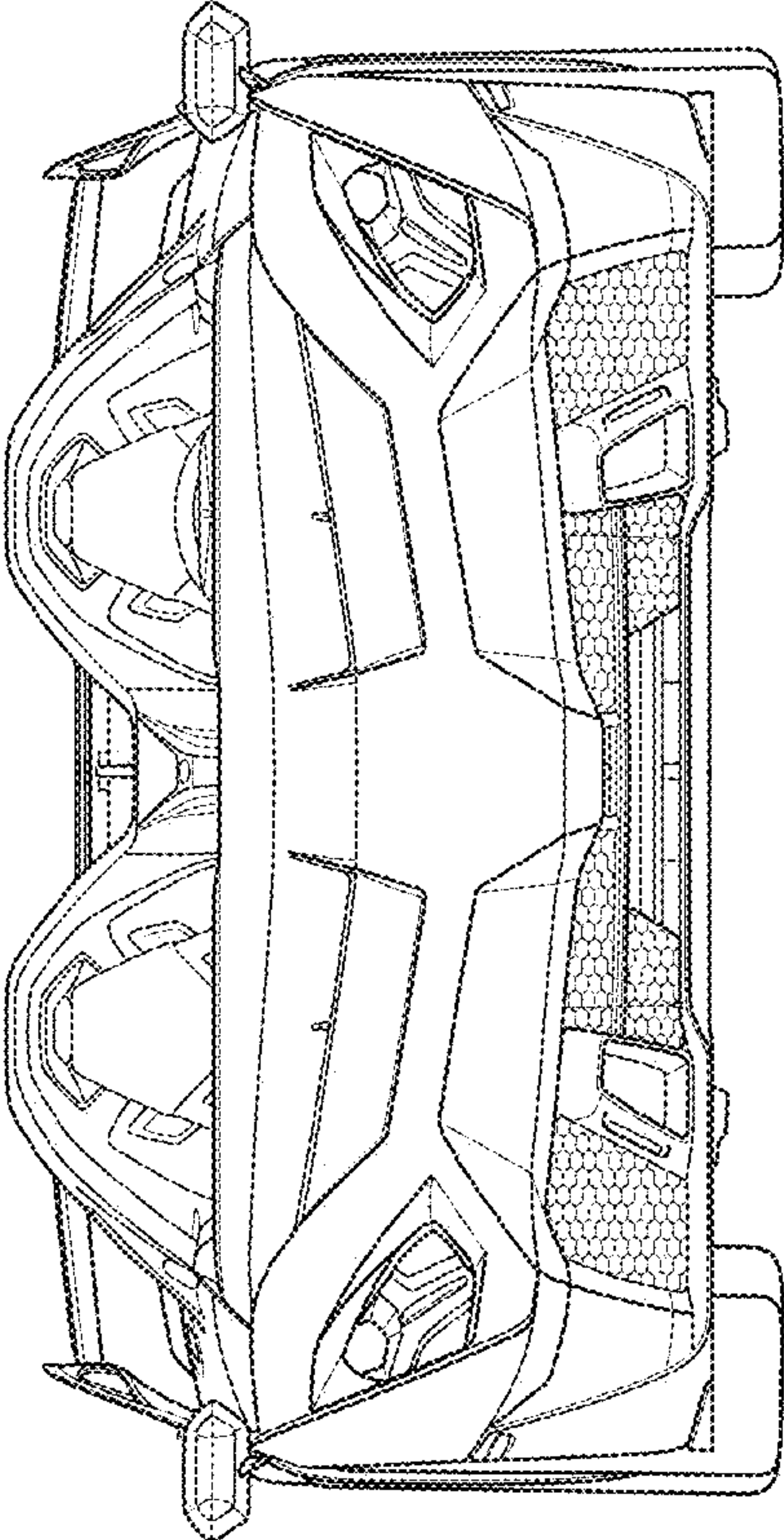


FIG. 7

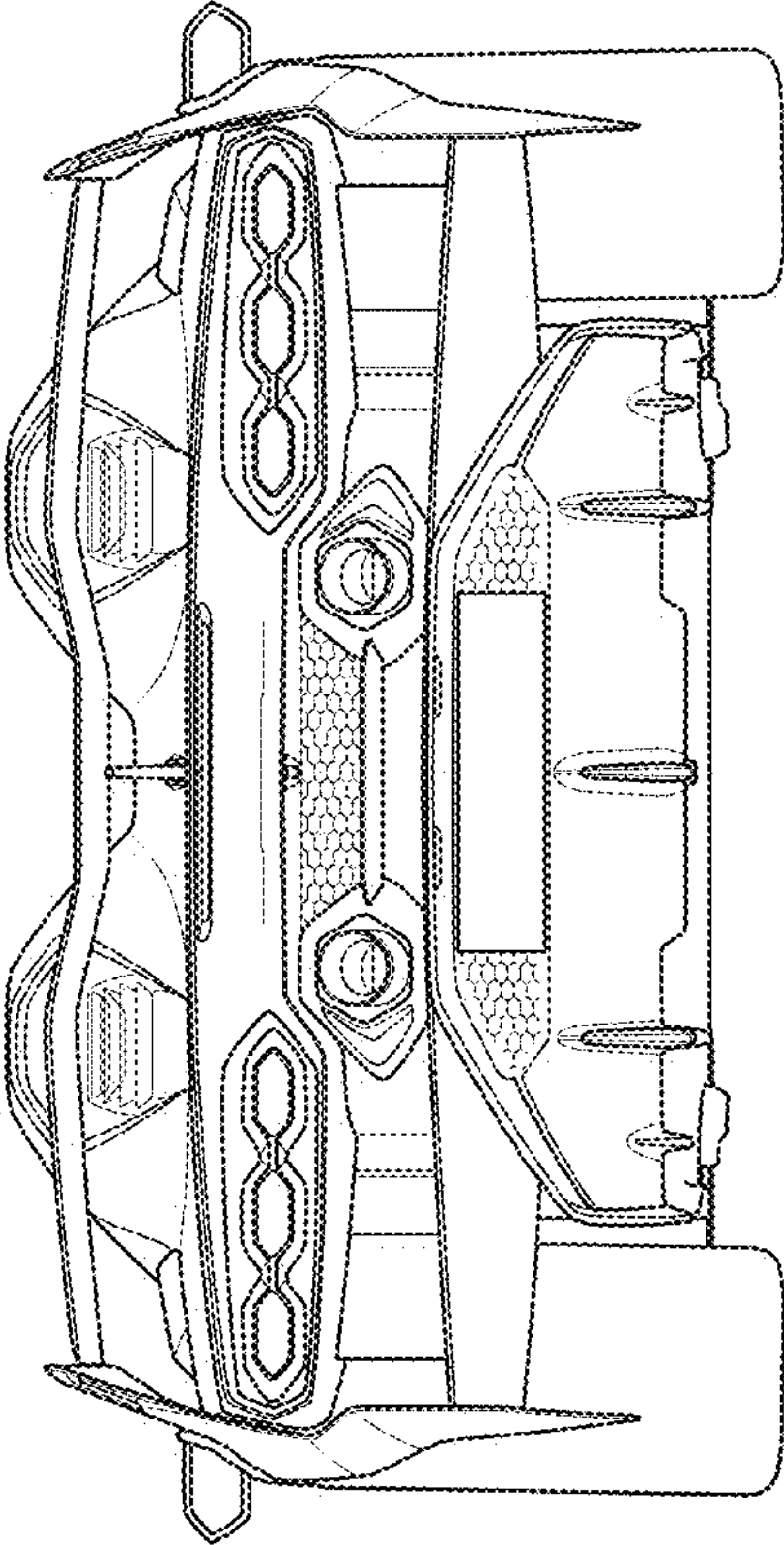


FIG. 8

