



US00D980123S

(12) **United States Design Patent** (10) **Patent No.:** **US D980,123 S**  
**Telleria** (45) **Date of Patent:** **\*\* Mar. 7, 2023**

(54) **BUS**  
(71) Applicant: **IRIZAR, S. COOP.**, Ormaiztegi (ES)  
(72) Inventor: **Garikoitz Telleria**, Ormaiztegi (ES)  
(73) Assignee: **IRIZAR, S. COOP.**  
(\*\*) Term: **15 Years**  
(21) Appl. No.: **29/730,223**  
(22) Filed: **Apr. 2, 2020**

7,862,101 B2 \* 1/2011 Lusk ..... B62D 29/043  
296/210  
D637,520 S \* 5/2011 Kerr ..... D12/84  
D704,595 S \* 5/2014 Streicher ..... D12/84  
D714,187 S \* 9/2014 Lian ..... D12/84  
D721,297 S \* 1/2015 Zhang ..... D12/84  
D721,298 S \* 1/2015 Li ..... D12/84  
D789,249 S \* 6/2017 Iparraguirre ..... D12/84  
D816,549 S \* 5/2018 Iparraguirre ..... D12/84  
D834,997 S \* 12/2018 Pelletier ..... D12/84  
D878,968 S \* 3/2020 Gómez Sarasola ..... D12/84  
D883,857 S \* 5/2020 Lamanna ..... D12/84  
D902,079 S \* 11/2020 Lamanna ..... D12/84  
D915,967 S \* 4/2021 Pelletier ..... D12/195  
2012/0161469 A1 \* 6/2012 Kerr ..... B62D 47/02  
296/178

(30) **Foreign Application Priority Data**  
Oct. 4, 2019 (EM) ..... 006974713  
(51) **LOC (14) Cl.** ..... **12-08**  
(52) **U.S. Cl.**  
USPC ..... **D12/84**  
(58) **Field of Classification Search**  
USPC ..... D12/82, 84, 86, 92, 100  
CPC ..... B62D 23/00; B62D 25/00; B62D 31/02;  
B62D 31/04; B62D 53/062; B62D 65/00;  
B60G 2202/152; B60G 2300/14; B60J  
5/04  
See application file for complete search history.

\* cited by examiner

*Primary Examiner* — Darlington Ly  
*Assistant Examiner* — Nasim Abdulaziz Ali  
(74) *Attorney, Agent, or Firm* — Ostrolenk Faber LLP

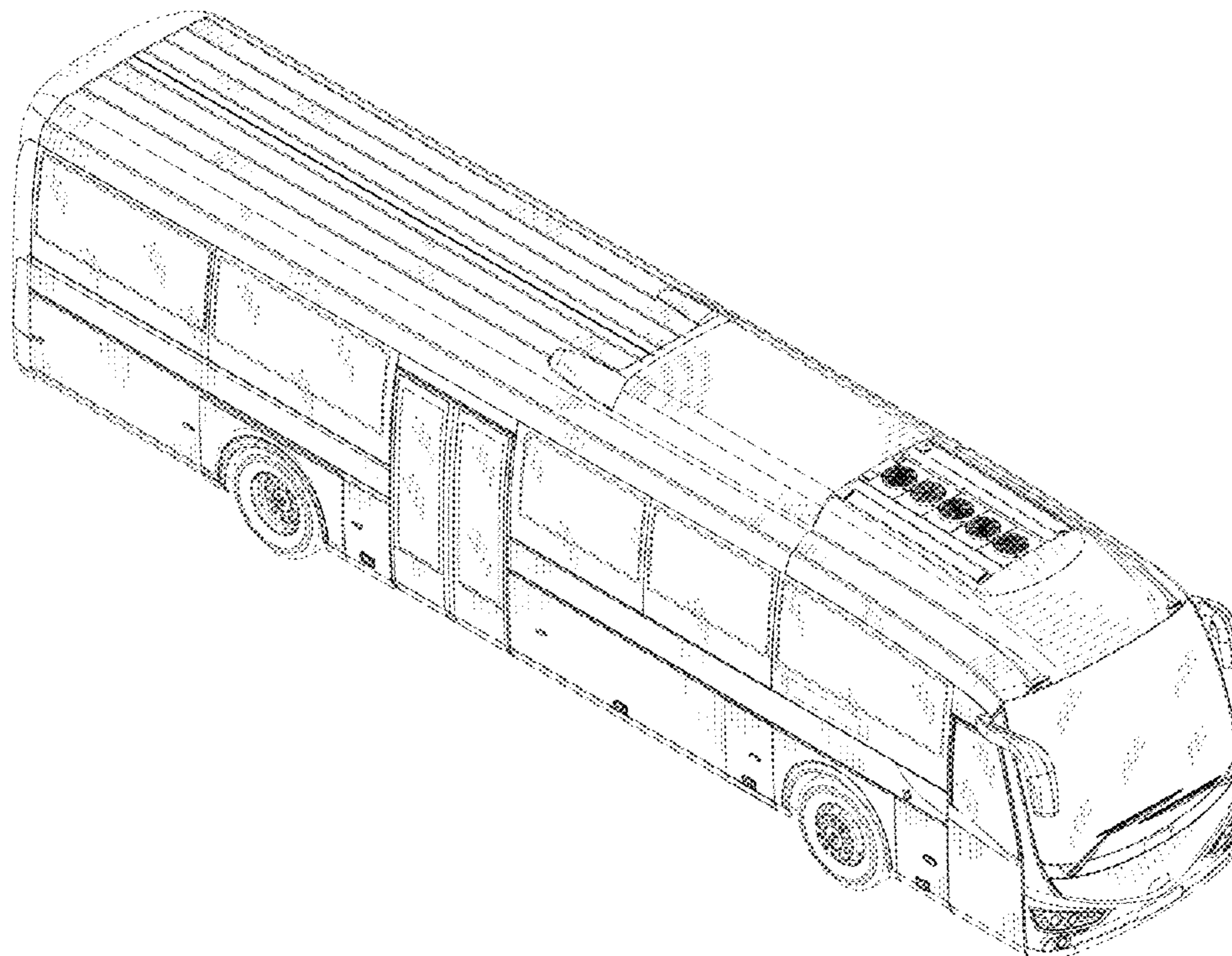
(56) **References Cited**  
U.S. PATENT DOCUMENTS  
D466,442 S \* 12/2002 Cornell ..... D12/84  
D503,126 S \* 3/2005 Papke ..... D12/84  
D537,755 S \* 3/2007 Toth ..... D12/84  
D617,236 S \* 6/2010 Counts ..... D12/84

(57) **CLAIM**  
The ornamental design for a bus, as shown and described.

**DESCRIPTION**

FIG. 1 is a top, front, and right side perspective view of a bus showing my new design;  
FIG. 2 is a left side elevation view thereof;  
FIG. 3 is a top plan view thereof;  
FIG. 4 is a front elevation view thereof;  
FIG. 5 is a right side elevation view thereof;  
FIG. 6 is a rear elevation view thereof; and,  
FIG. 7 is a top, rear, and left side perspective view thereof.

**1 Claim, 7 Drawing Sheets**



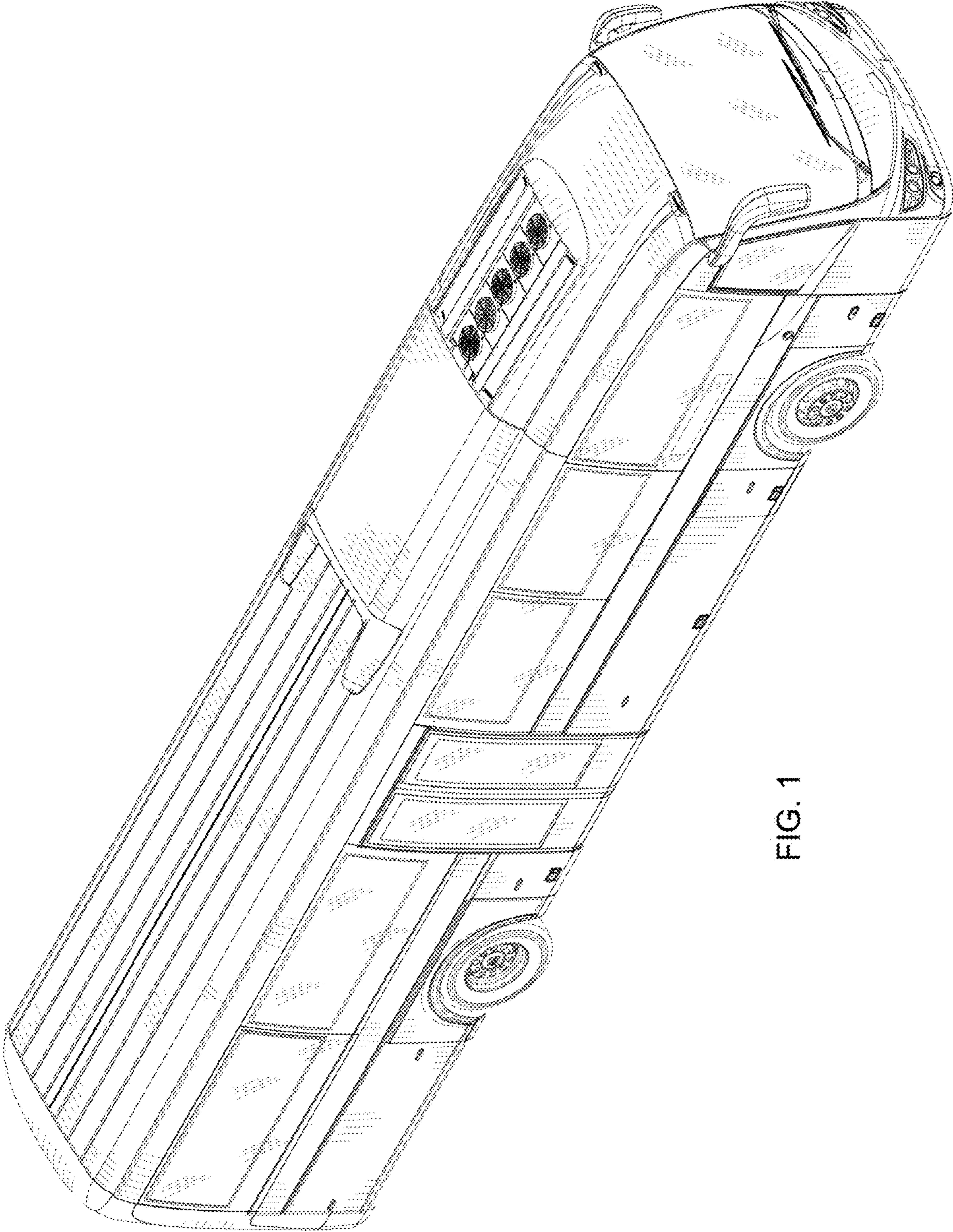


FIG. 1



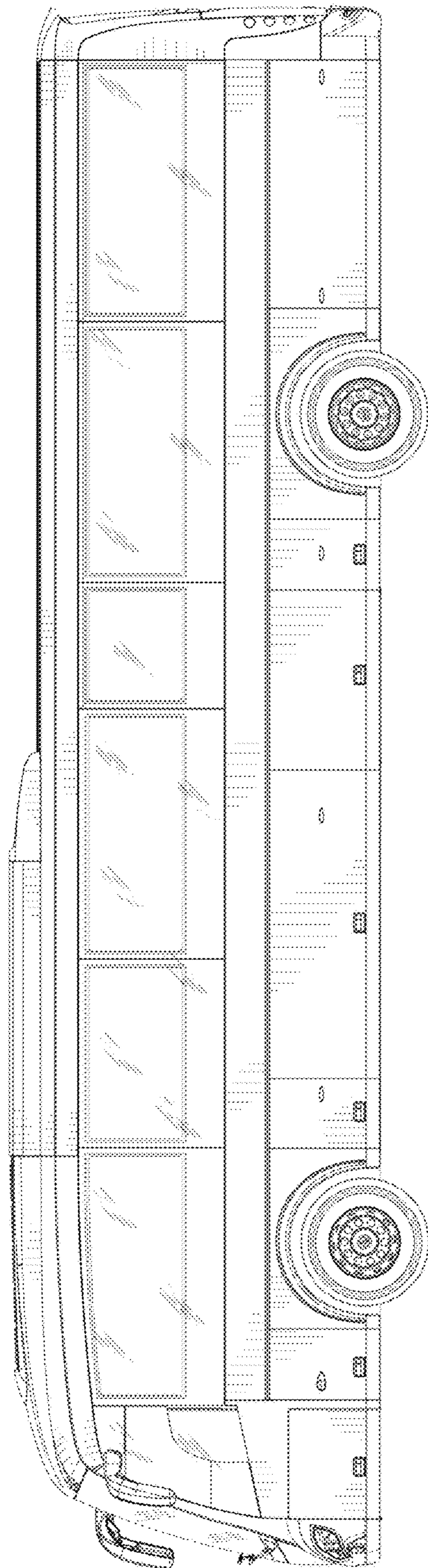


FIG. 2

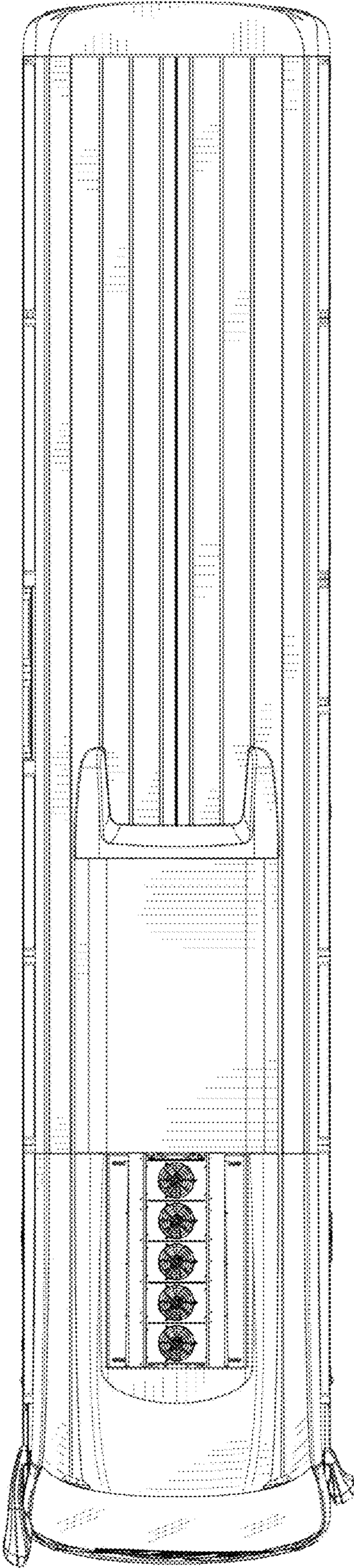


FIG. 3

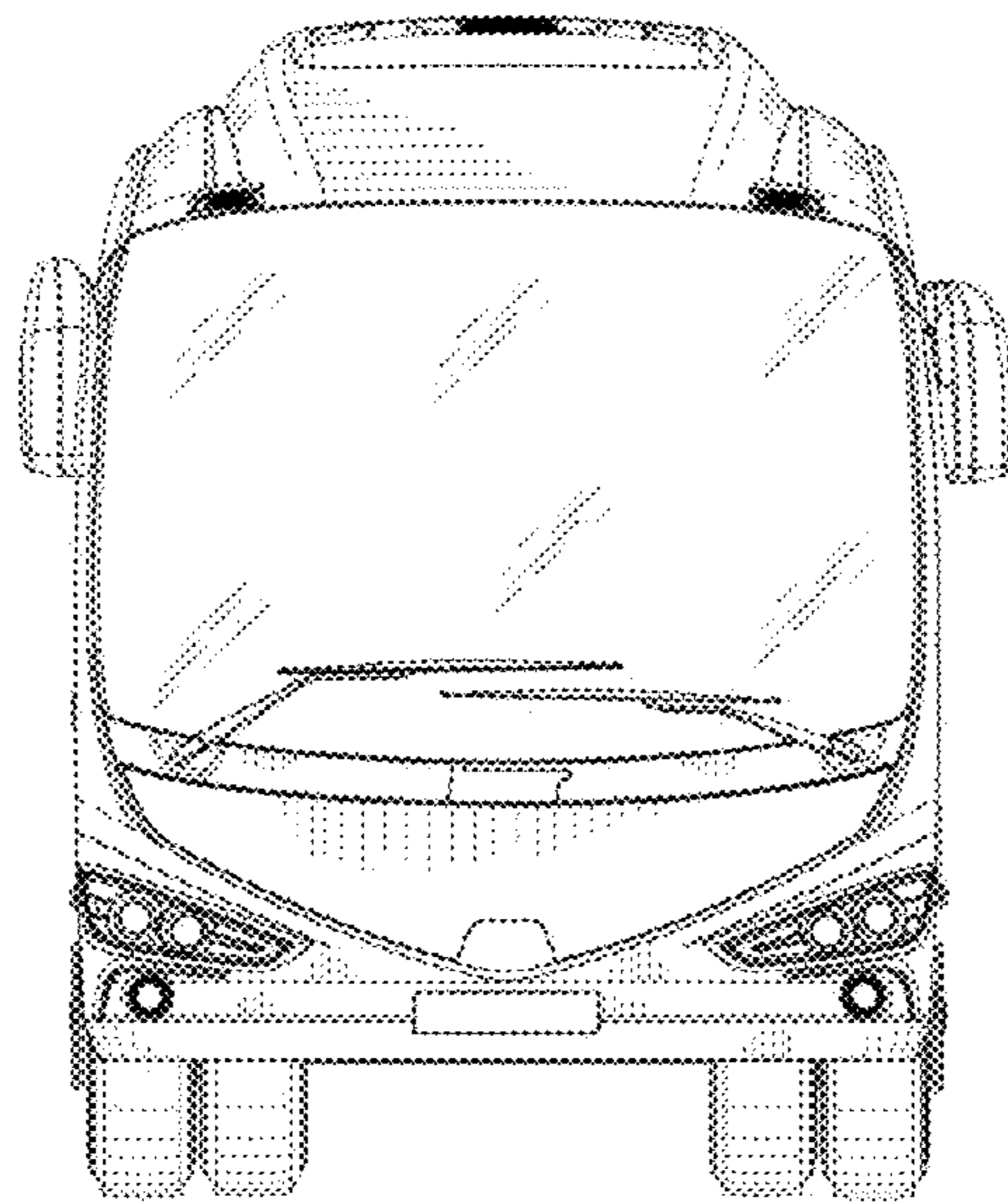


FIG. 4



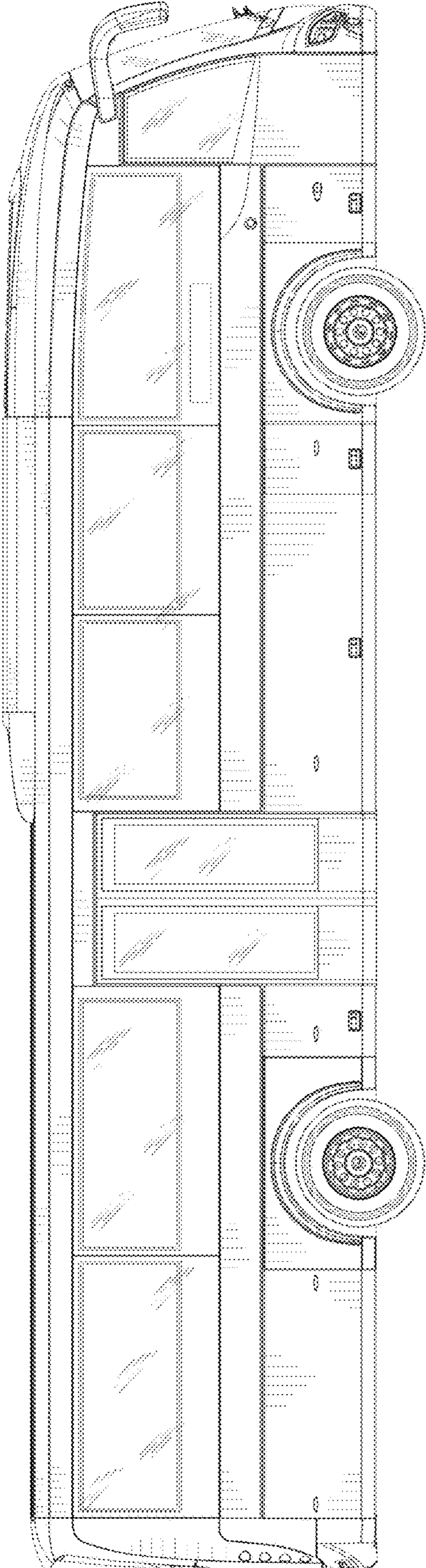


FIG. 5

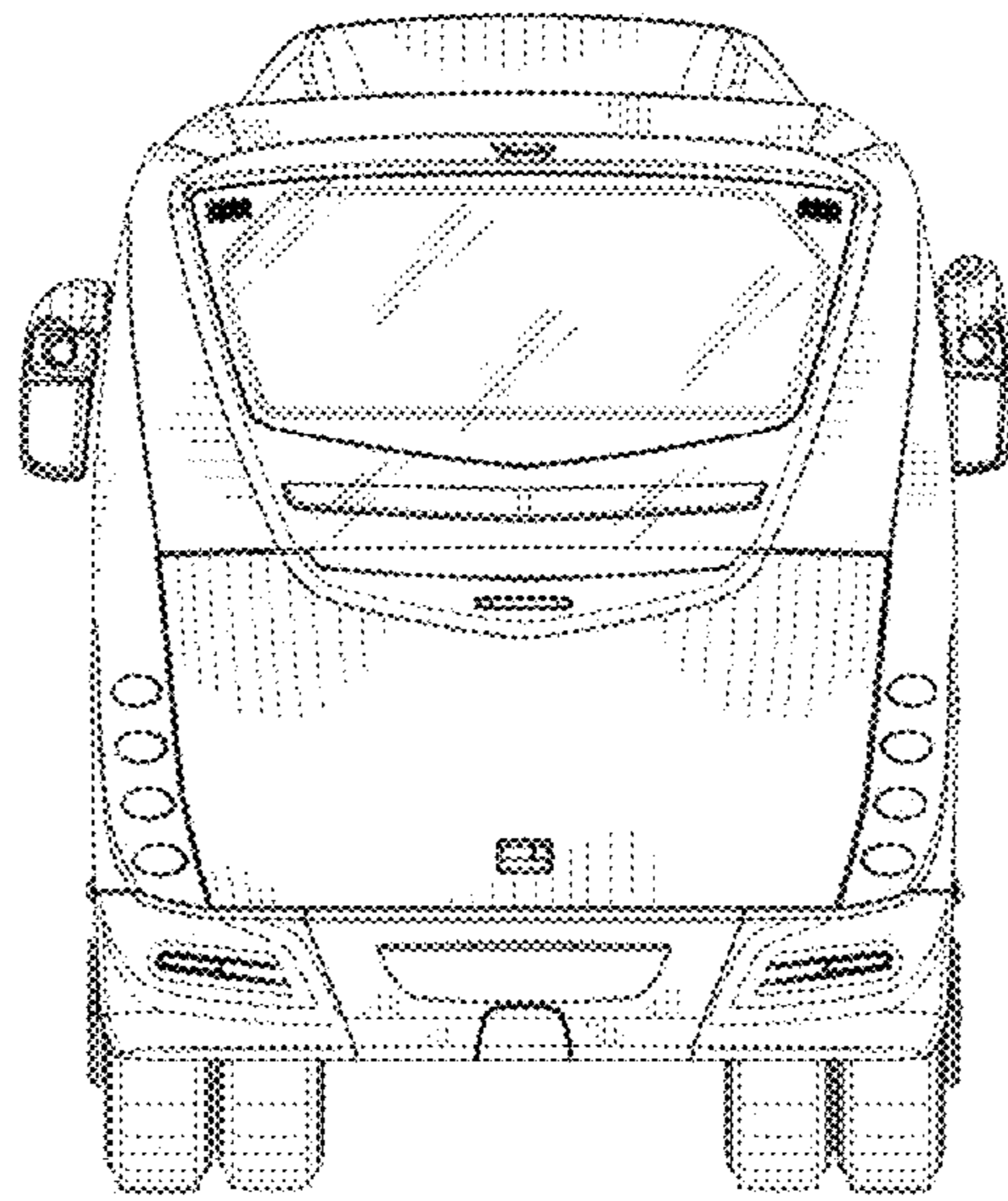


FIG. 6

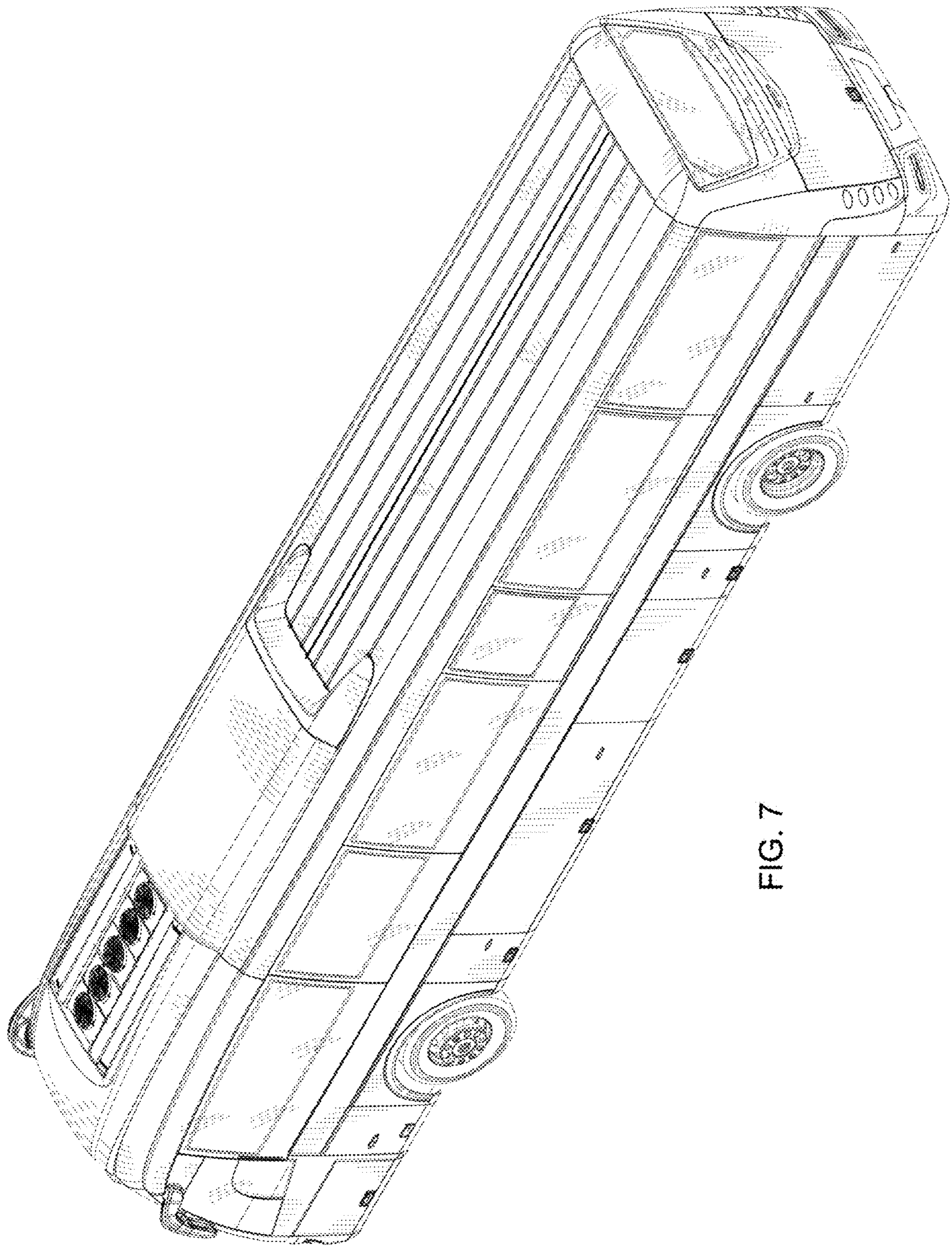


FIG. 7