



US00D980122S

(12) **United States Design Patent** (10) **Patent No.:** **US D980,122 S**
Bakare (45) **Date of Patent:** **** Mar. 7, 2023**

- (54) **MOTOR COACH**
- (71) Applicant: **David Bakare**, Springfield, MO (US)
- (72) Inventor: **David Bakare**, Springfield, MO (US)
- (**) Term: **15 Years**
- (21) Appl. No.: **29/726,979**
- (22) Filed: **Mar. 6, 2020**

D714,187 S *	9/2014	Lian	D12/84
D721,297 S *	1/2015	Zhang	D12/84
D721,298 S *	1/2015	Li	D12/84
D789,249 S *	6/2017	Iparraguirre	D12/84
D816,549 S *	5/2018	Iparraguirre	D12/84
D834,997 S *	12/2018	Pelletier	D12/84
D878,968 S *	3/2020	Gómez Sarasola	D12/84
D883,857 S *	5/2020	Lamanna	D12/84
D902,079 S *	11/2020	Lamanna	D12/84
D915,967 S *	4/2021	Pelletier	D12/195
2012/0161469 A1 *	6/2012	Kerr	B62D 47/02 296/178

Related U.S. Application Data

- (60) Provisional application No. 62/816,577, filed on Mar. 11, 2019.
- (51) **LOC (14) Cl.** **12-08**
- (52) **U.S. Cl.**
USPC **D12/84**
- (58) **Field of Classification Search**
USPC D12/82, 84, 86, 92, 100
CPC B62D 23/00; B62D 25/00; B62D 31/02;
B62D 31/04; B62D 53/062; B62D 65/00;
B60G 2202/152; B60G 2300/14; B60J
5/04
See application file for complete search history.

* cited by examiner

Primary Examiner — Darlington Ly
Assistant Examiner — Nasim Abdulaziz Ali
(74) *Attorney, Agent, or Firm* — Spencer Fane LLP

(57) **CLAIM**

The ornamental design for a motor coach, as shown and described.

DESCRIPTION

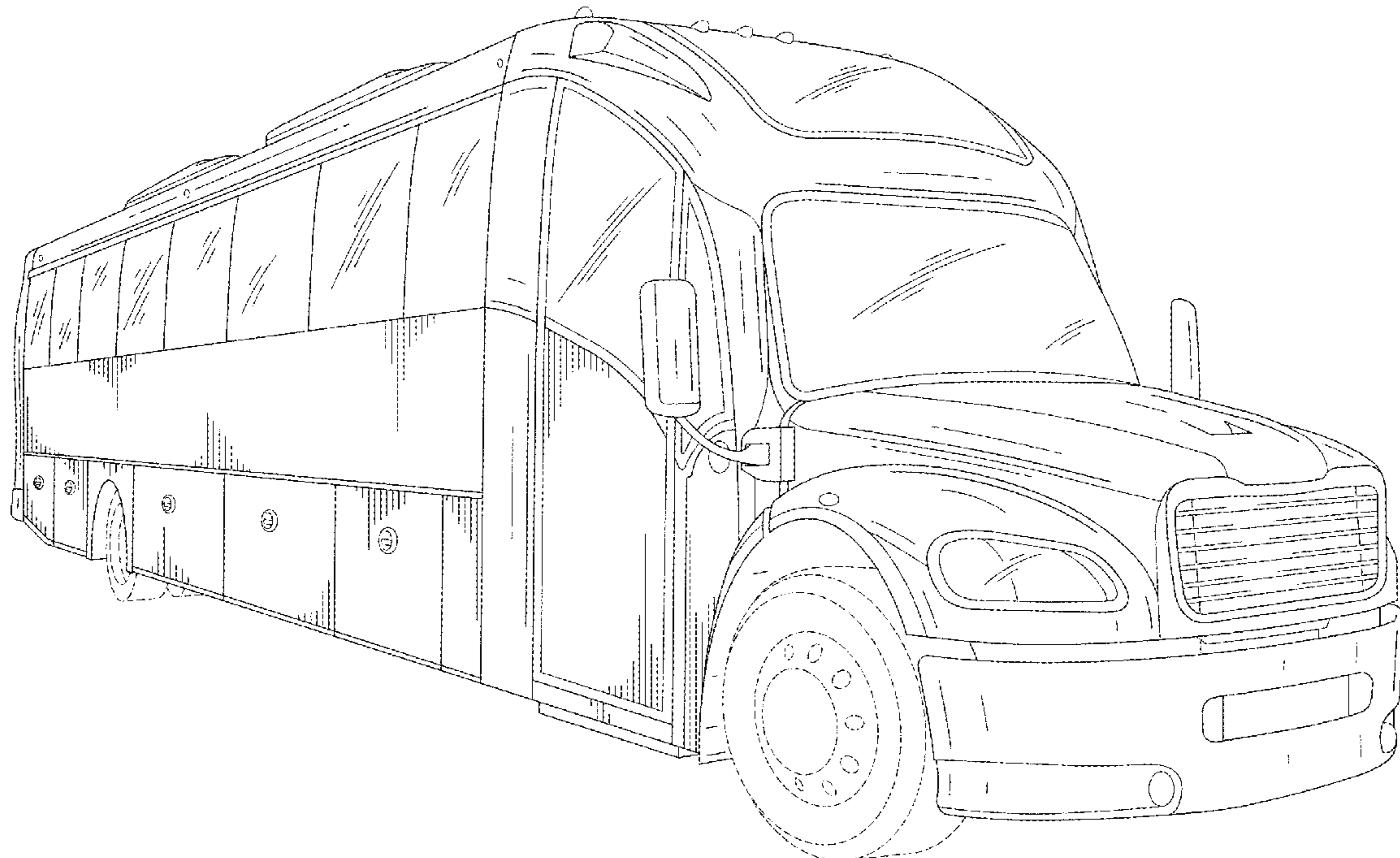
FIG. 1 is a front and right side perspective view of the motor coach embodying my new design;
FIG. 2 is a front elevation view thereof;
FIG. 3 is a rear elevation view thereof;
FIG. 4 is a right side view thereof;
FIG. 5 is a left side view elevation view thereof;
FIG. 6 is a rear and right side perspective view thereof;
FIG. 7 is a front and left side perspective view thereof; and,
FIG. 8 is a rear and left side perspective view thereof.
The broken lines in the drawings depict portions of the wheels of the motor coach that form no part of the claimed design.

(56) **References Cited**

U.S. PATENT DOCUMENTS

D466,442 S *	12/2002	Cornell	D12/84
D503,126 S *	3/2005	Papke	D12/84
D537,755 S *	3/2007	Toth	D12/84
D617,236 S *	6/2010	Counts	D12/84
7,862,101 B2 *	1/2011	Lusk	B62D 29/043 296/210
D637,520 S *	5/2011	Kerr	D12/84
D704,595 S *	5/2014	Streicher	D12/84

1 Claim, 6 Drawing Sheets



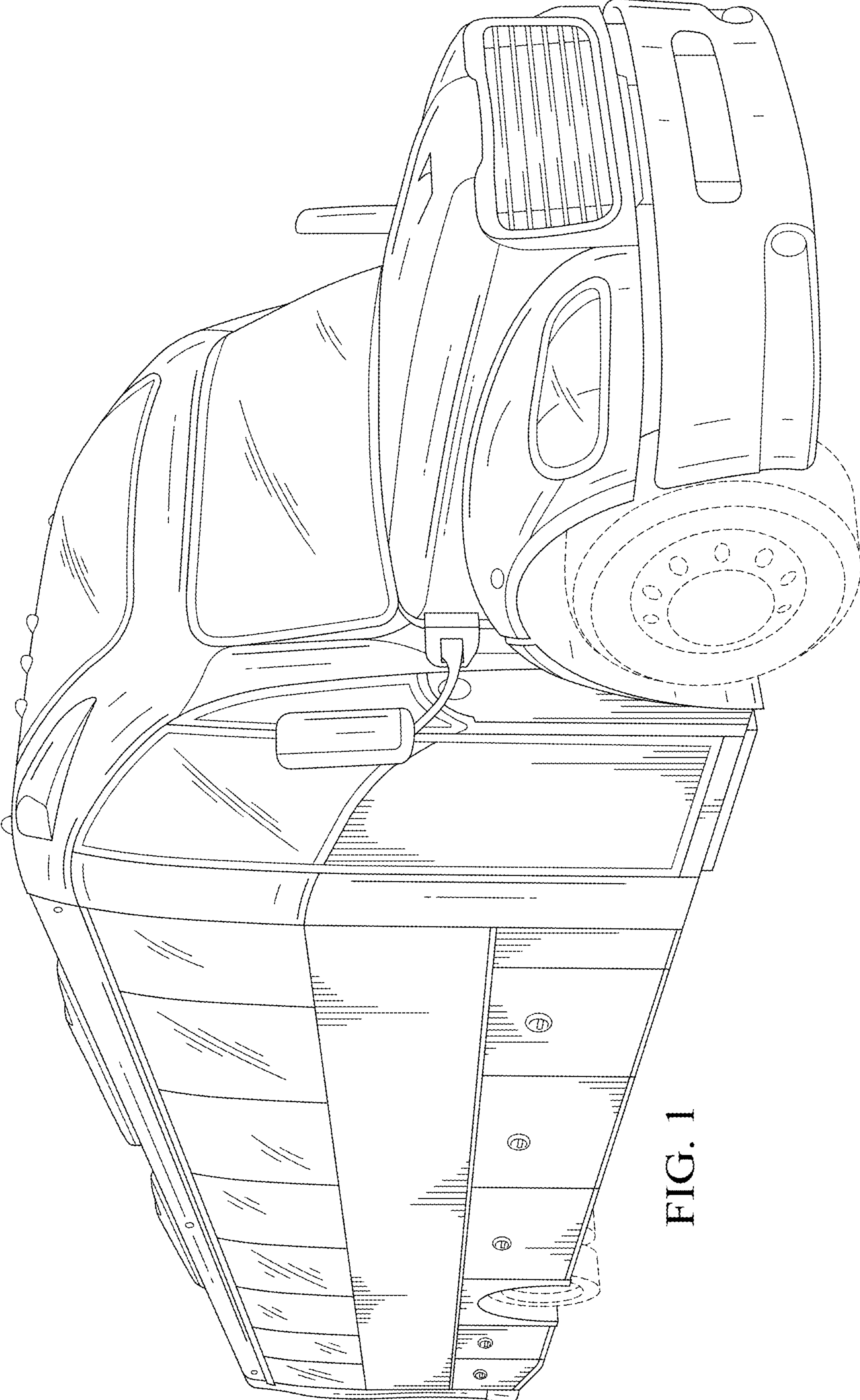


FIG. 1

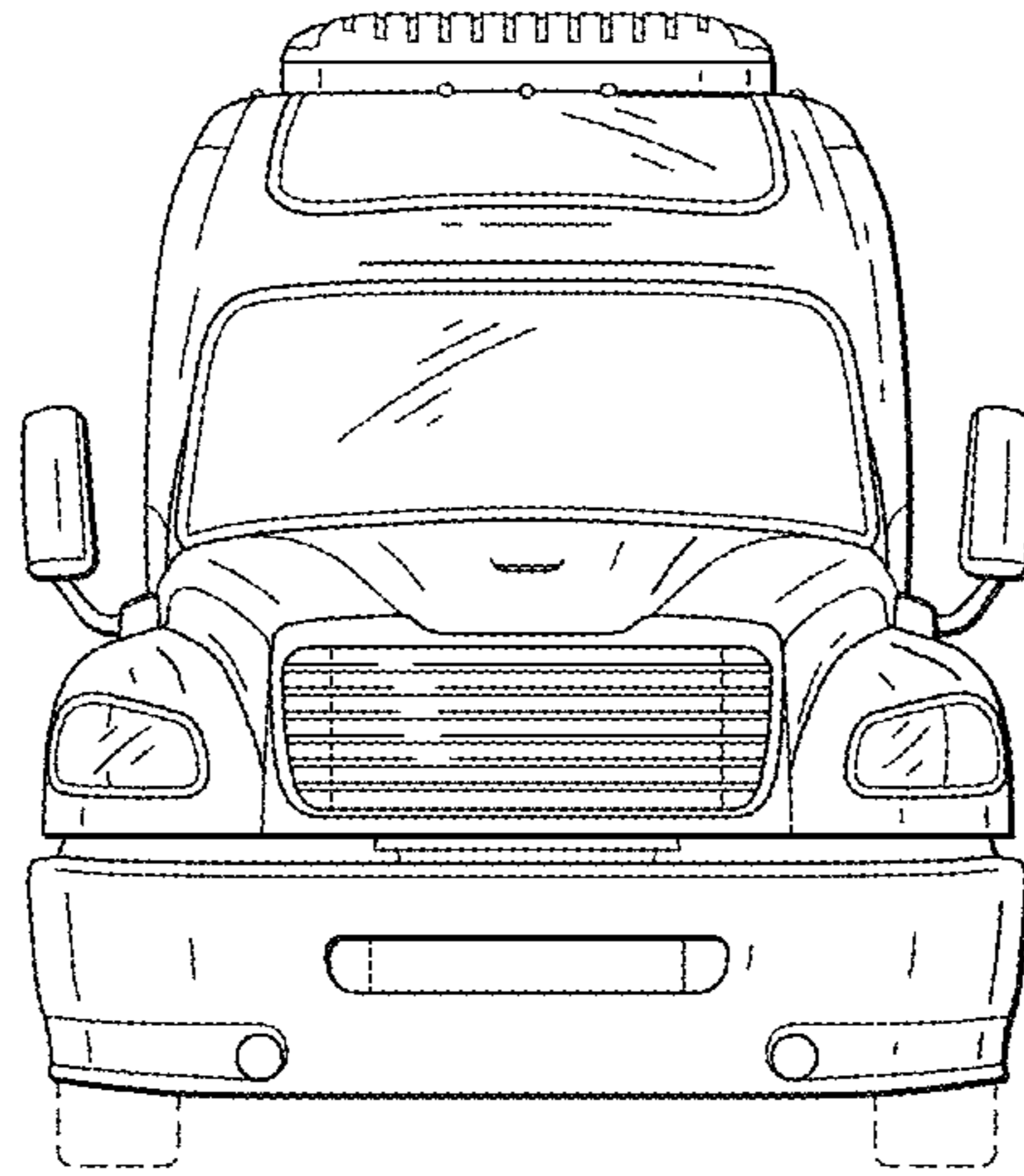


FIG. 2

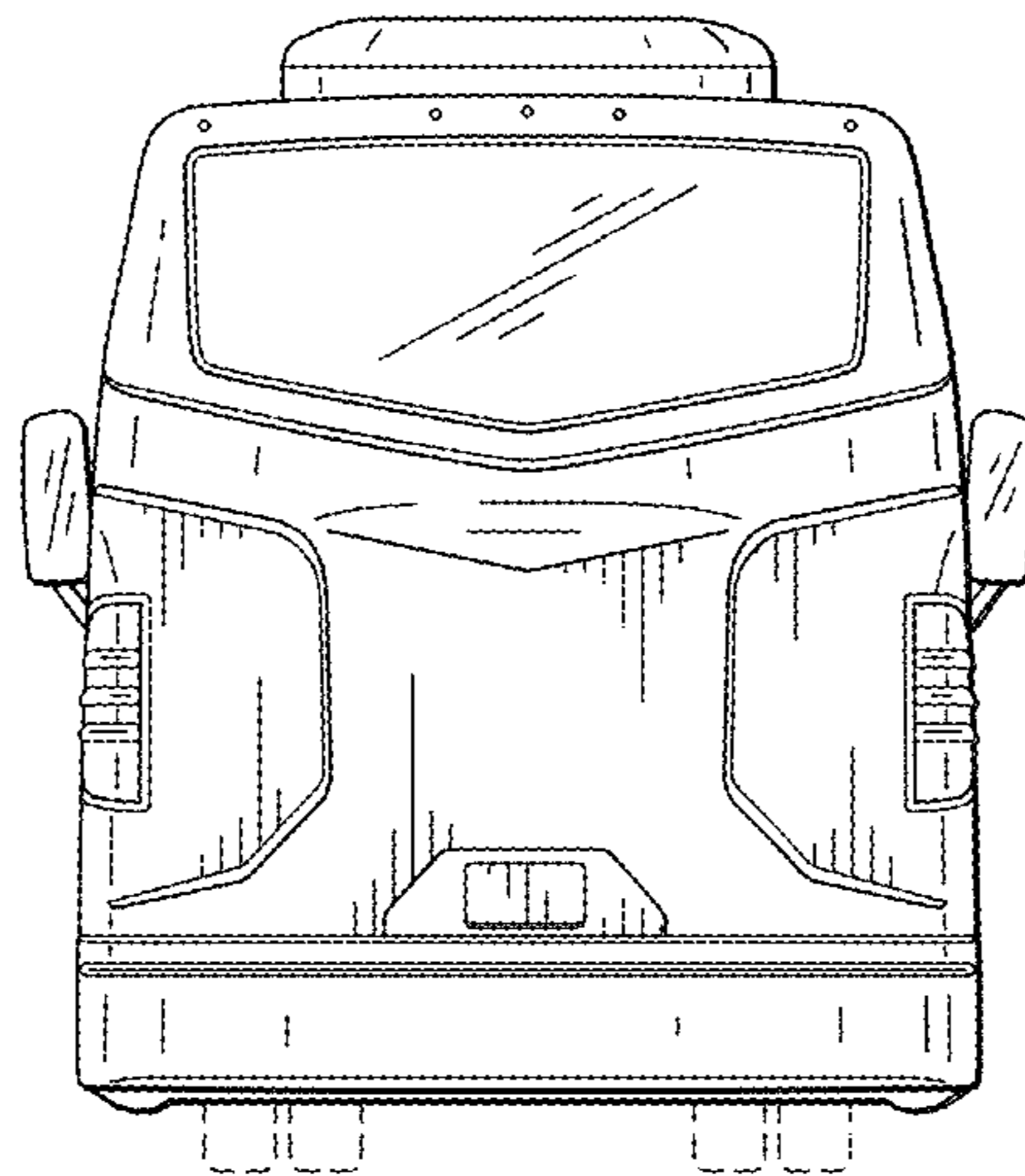


FIG. 3

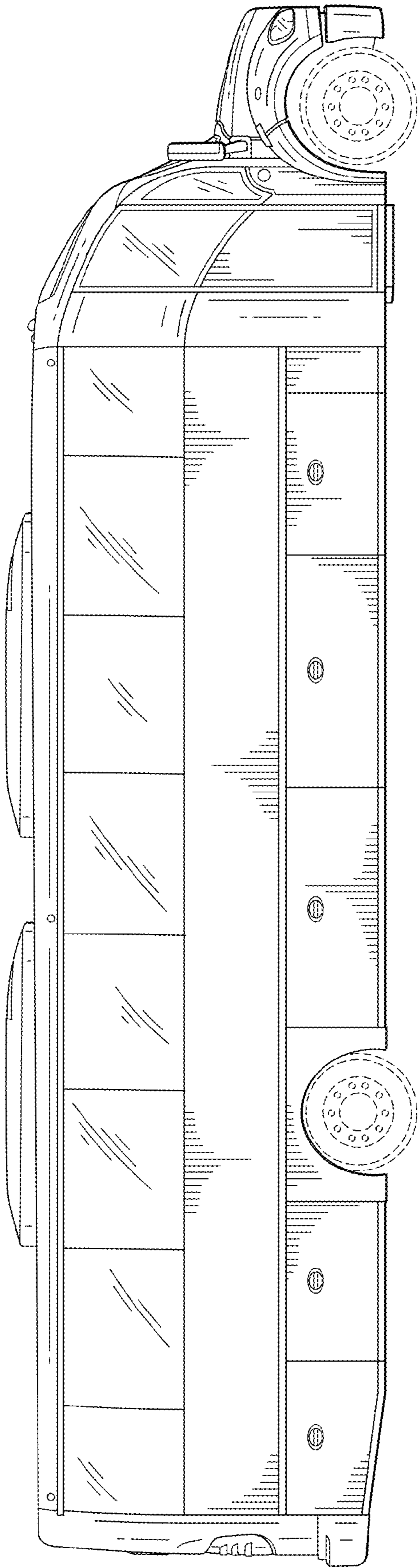


FIG. 4

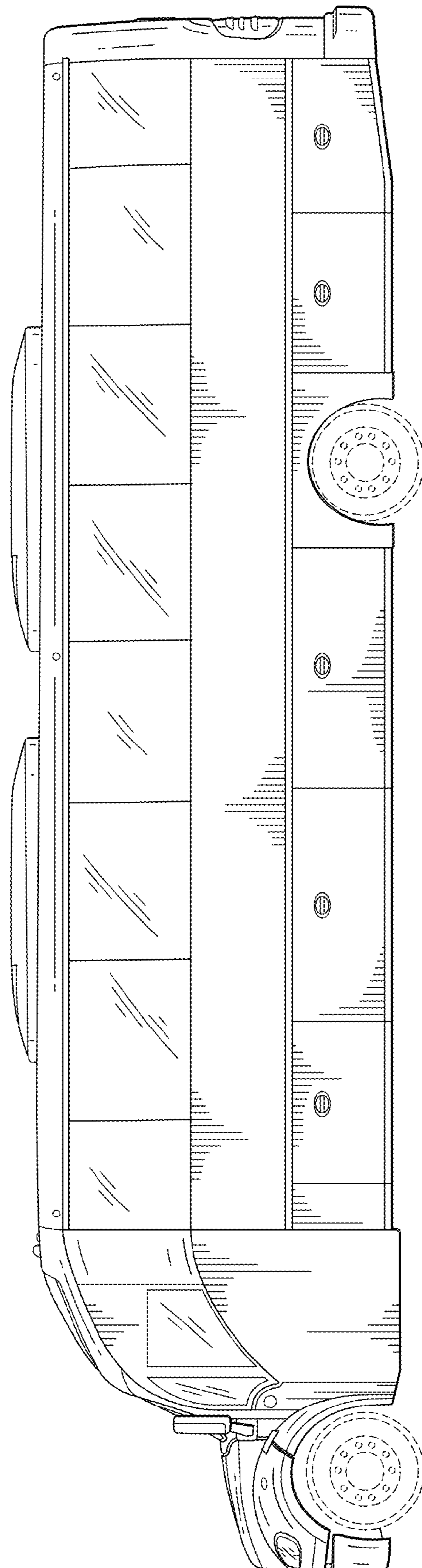


FIG. 5

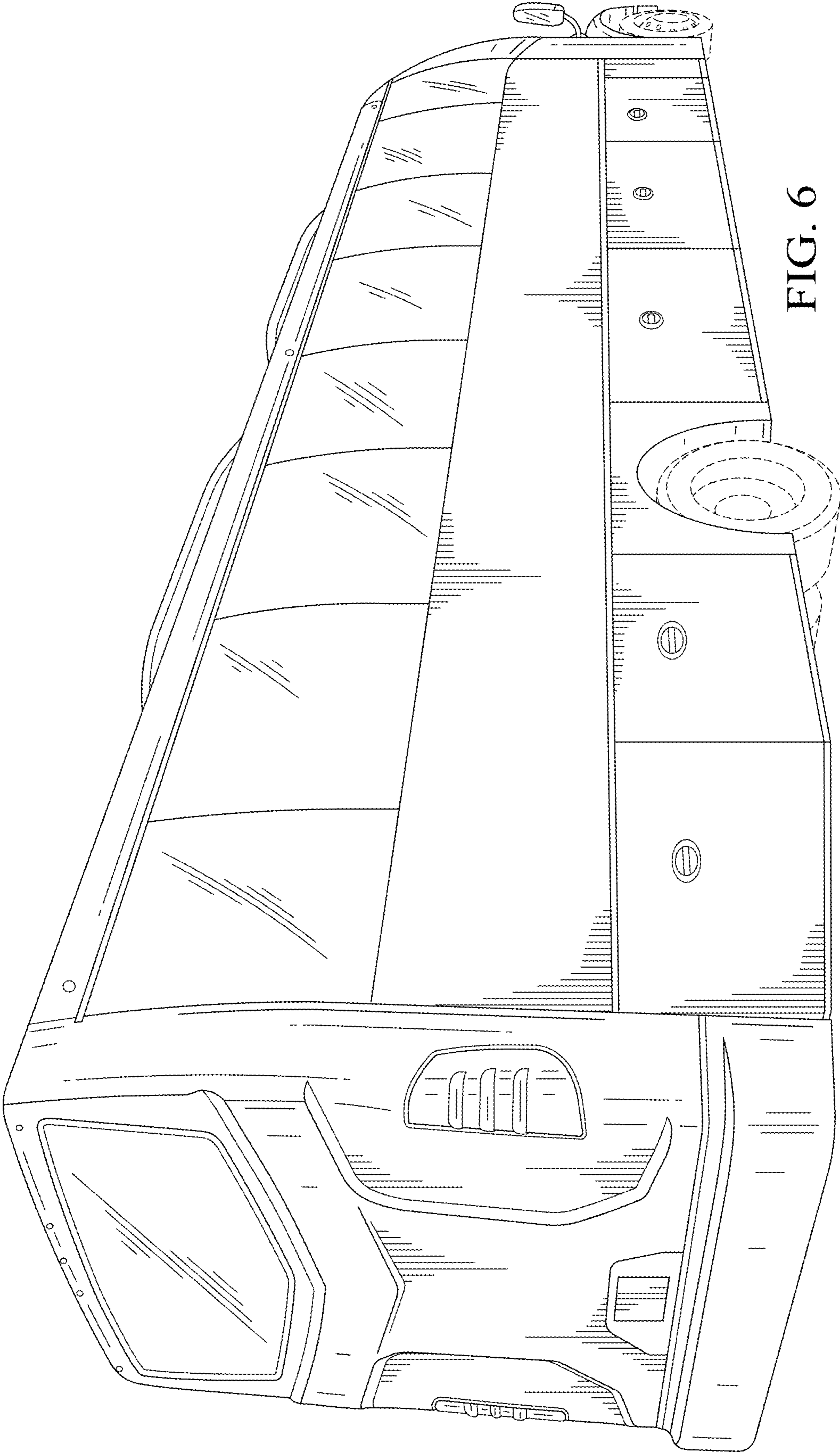


FIG. 6

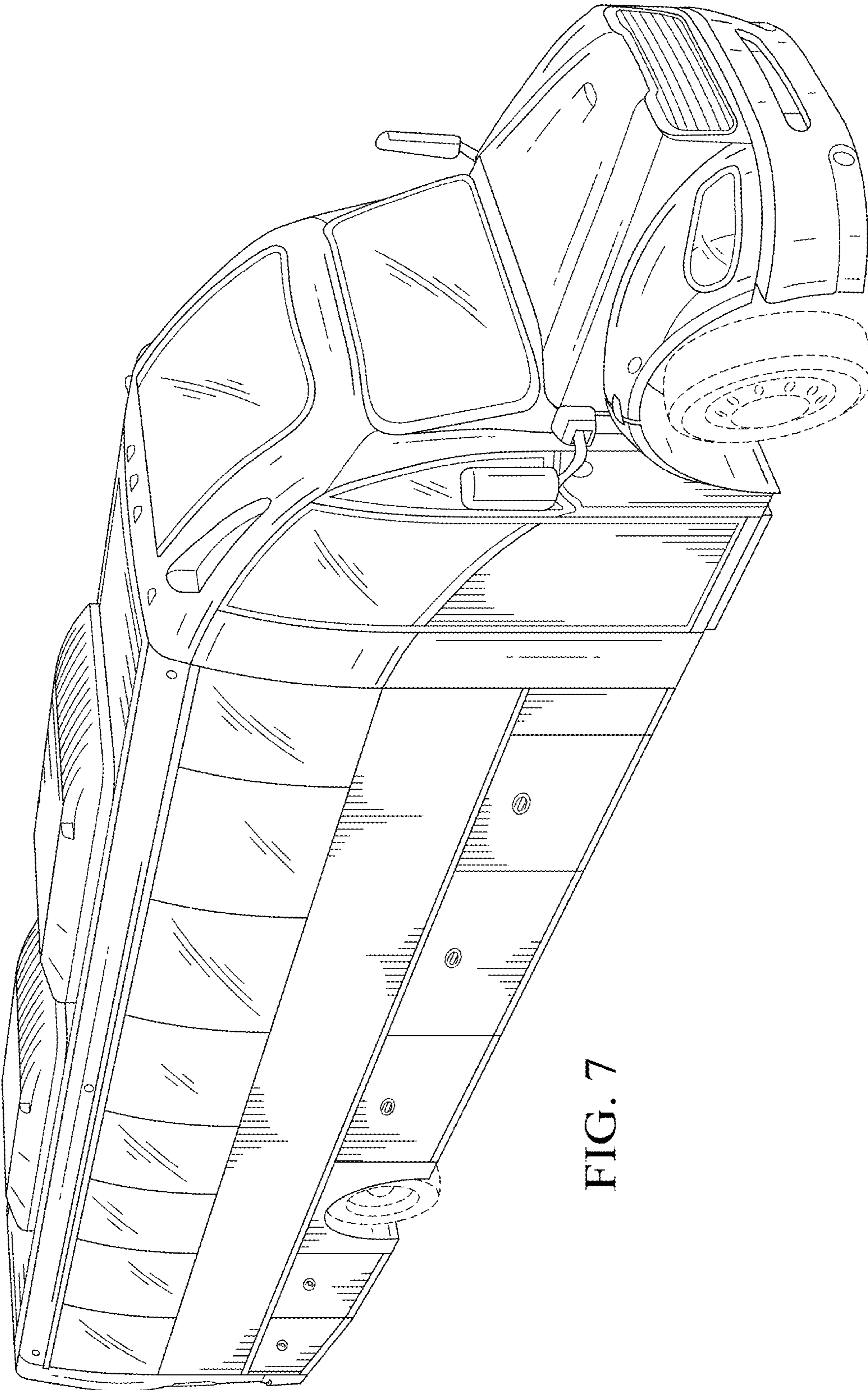


FIG. 7

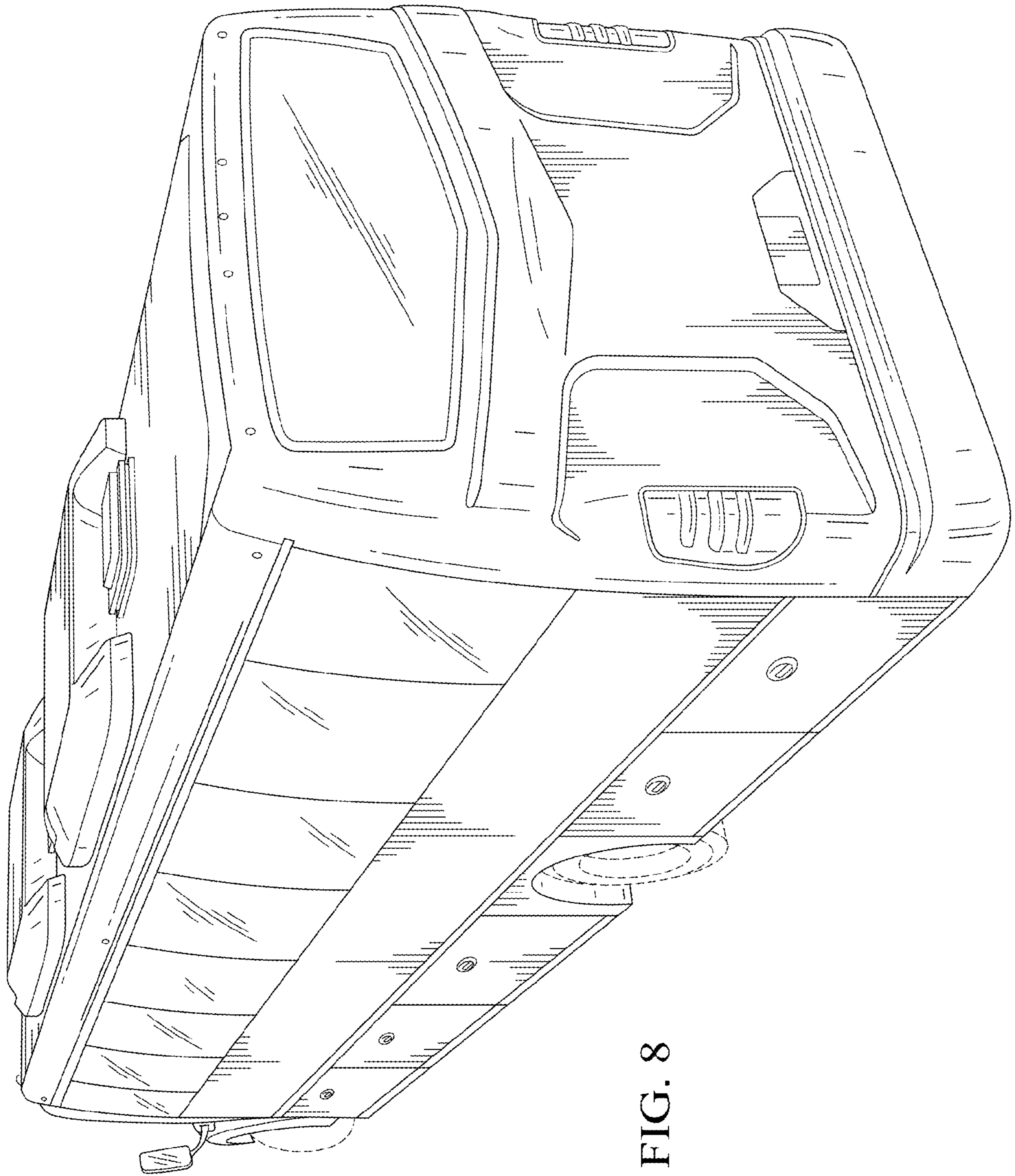


FIG. 8