



US00D980120S

(12) **United States Design Patent** (10) **Patent No.:** **US D980,120 S**  
**Wang et al.** (45) **Date of Patent:** **\*\* Mar. 7, 2023**

(54) **AERIAL VEHICLE**

**FOREIGN PATENT DOCUMENTS**

(71) Applicant: **SZ DJI Technology Co., Ltd.**,  
Shenzhen (CN)  
(72) Inventors: **Chenjie Wang**, Shenzhen (CN); **Yuan Gao**, Shenzhen (CN); **Yadong Wang**,  
Shenzhen (CN)  
(73) Assignee: **SZ DJI Technology Co., Ltd.**,  
Shenzhen (CN)

CN 210526846 U \* 5/2020  
CN 212637921 U \* 3/2021  
CN 216834262 U \* 6/2022  
EP 3882143 A1 \* 9/2021  
JP D1562311 S 11/2016  
JP D1630648 5/2019  
JP D1630649 5/2019  
JP D1630650 5/2019  
JP D1630741 5/2019  
JP D1633332 6/2019

(Continued)

(\*\*) Term: **15 Years**

**OTHER PUBLICATIONS**

(21) Appl. No.: **29/756,792**

DJI Agras T30 | DJI Ferntech Enterprise Drones, posted [online], [retrieved Sep. 28, 2022]. Retrieved from internet, <https://www.ferntech.co.nz/dji-agras-t30-dji-phantom-4-rtk-combo> (Date: Oct. 17, 2022) (Year: 2022).\*

(22) Filed: **Oct. 30, 2020**

(51) **LOC (14) Cl.** ..... **12-06**

(Continued)

(52) **U.S. Cl.**

USPC ..... **D12/16.1**; D21/443; D21/444

(58) **Field of Classification Search**

USPC ..... D12/16.1, 319-345; D21/443, 444, 446,  
D21/447, 448, 449, 450, 451, 452, 453,  
D21/454

CPC ..... B64C 2201/141; B64C 2201/20; B64C  
2201/027

See application file for complete search history.

*Primary Examiner* — Christian P. McLean

*Assistant Examiner* — Jessica L Devilbiss

(74) *Attorney, Agent, or Firm* — Sterne, Kessler,  
Goldstein & Fox P.L.L.C.

(57) **CLAIM**

The ornamental design for an aerial vehicle, as shown and described.

**DESCRIPTION**

(56) **References Cited**

**U.S. PATENT DOCUMENTS**

D728,445 S 5/2015 Colten et al.  
D808,860 S \* 1/2018 Tian ..... D12/16.1  
D816,582 S 5/2018 Liang et al.  
D820,768 S 6/2018 Wang et al.  
D885,301 S \* 5/2020 Luo ..... D12/328  
D896,731 S \* 9/2020 Liang ..... D12/328  
D928,072 S \* 8/2021 Liang ..... D12/328  
11,220,335 B1 \* 1/2022 Felder ..... B64C 39/022  
D944,683 S \* 3/2022 Wang ..... D12/328

FIG. 1 is a top front perspective view of an aerial vehicle showing the claimed design;

FIG. 2 is a bottom rear perspective view thereof;

FIG. 3 is a front view thereof;

FIG. 4 is a rear view thereof;

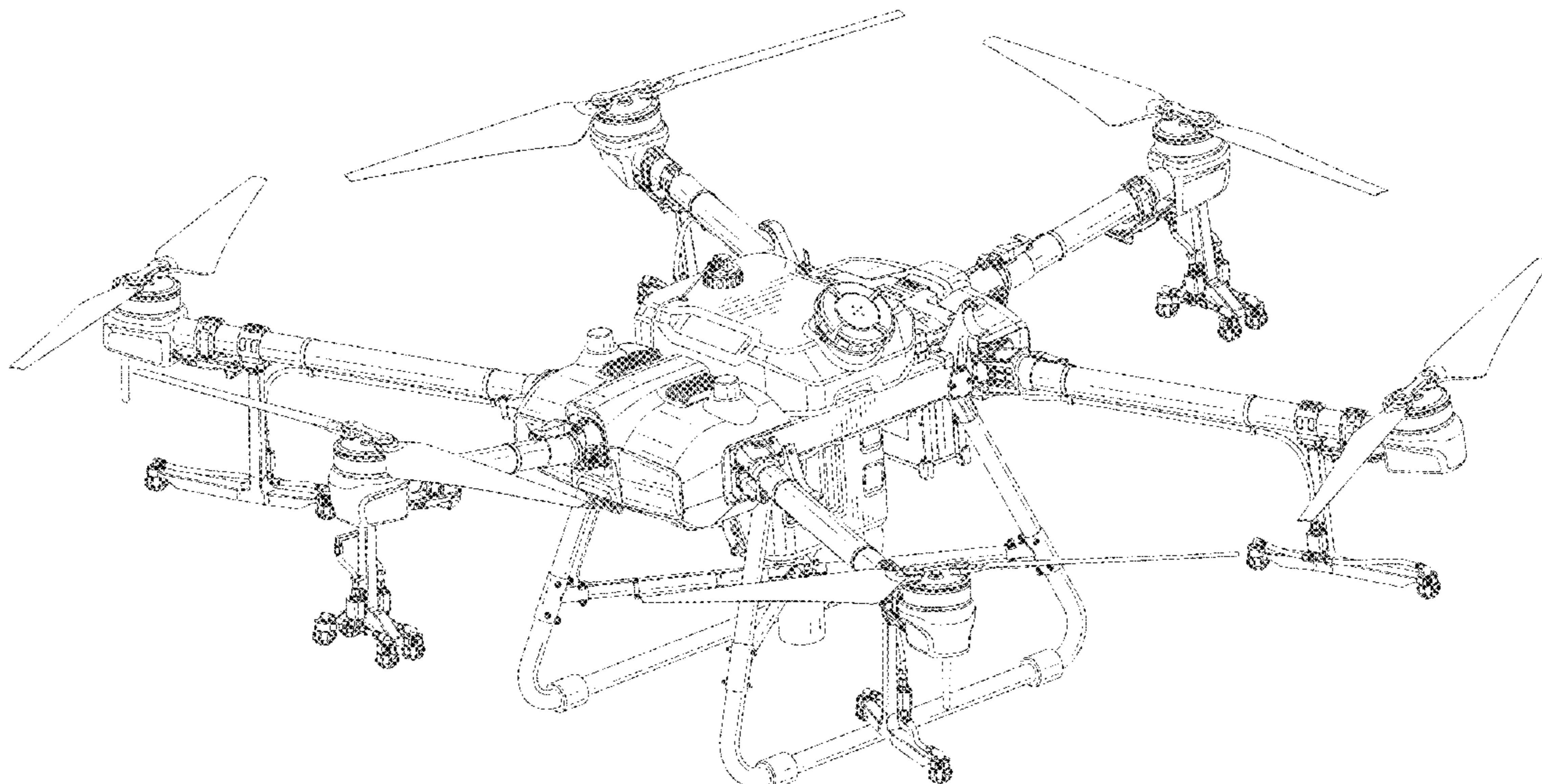
FIG. 5 is a left side view thereof;

FIG. 6 is a right side view thereof;

FIG. 7 is a top view thereof; and,

FIG. 8 is a bottom view thereof.

**1 Claim, 6 Drawing Sheets**



(56)

**References Cited**

FOREIGN PATENT DOCUMENTS

JP	D1659346	5/2020
KR	30-1028900-0001	10/2019
KR	30-1028901-0001	10/2019
KR	30-1028900-0002	11/2019
KR	30-1028901-0002	11/2019
KR	30-1033912	11/2019
KR	30-1071401	8/2020
TW	184138	5/1992
TW	D168001	5/2015
TW	D191607	7/2018
TW	D194965	12/2018

OTHER PUBLICATIONS

DJI Agras T30 Kit—Sphere Drones, posted [online], [retrieved Sep. 28, 2022]. Retrieved from internet, <https://spheredrones.com.au/products/dji-agras-t30-kit>(Date: Oct. 17, 2022) (Year: 2022).\*

\* cited by examiner

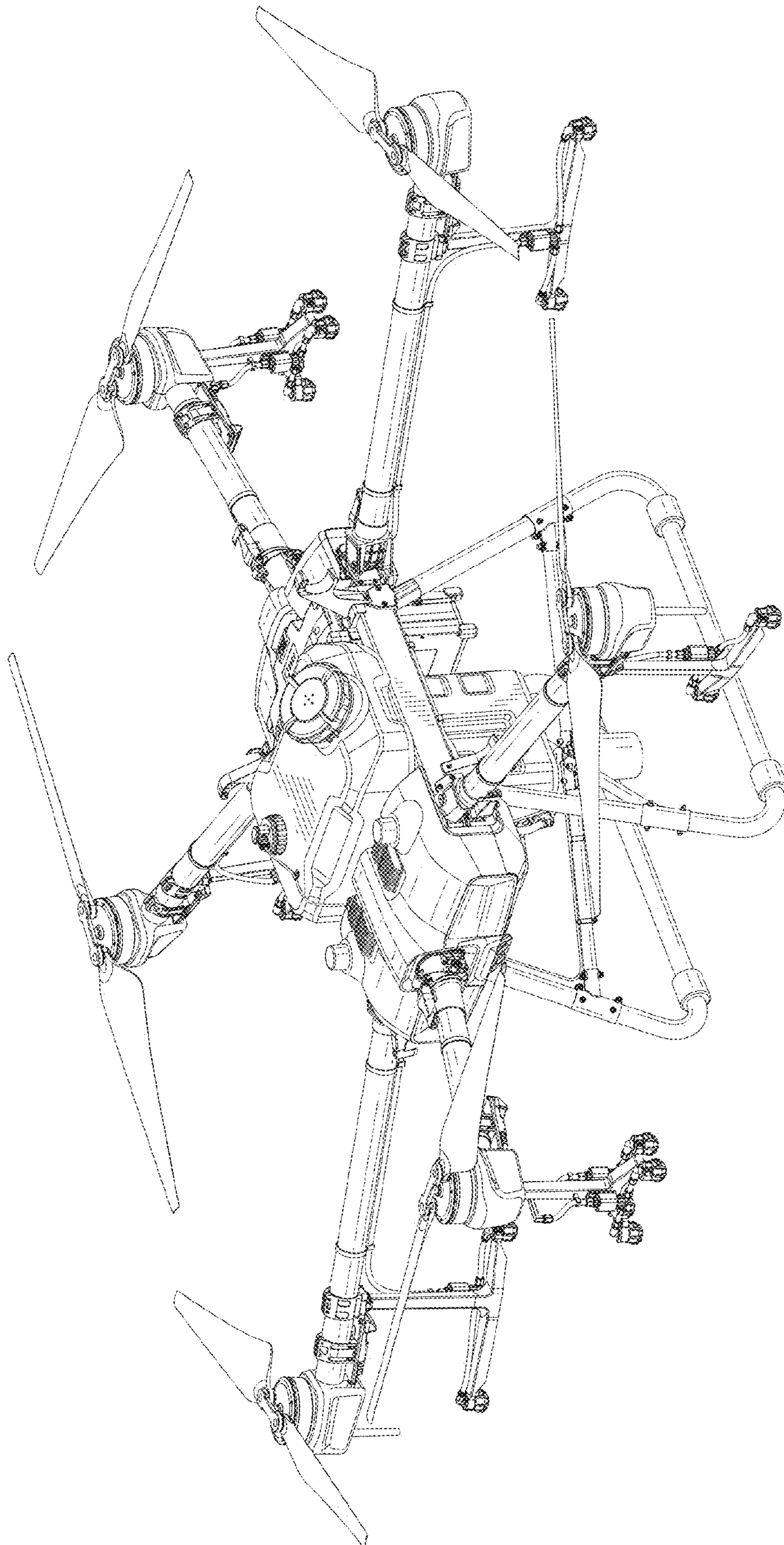


FIG. 1



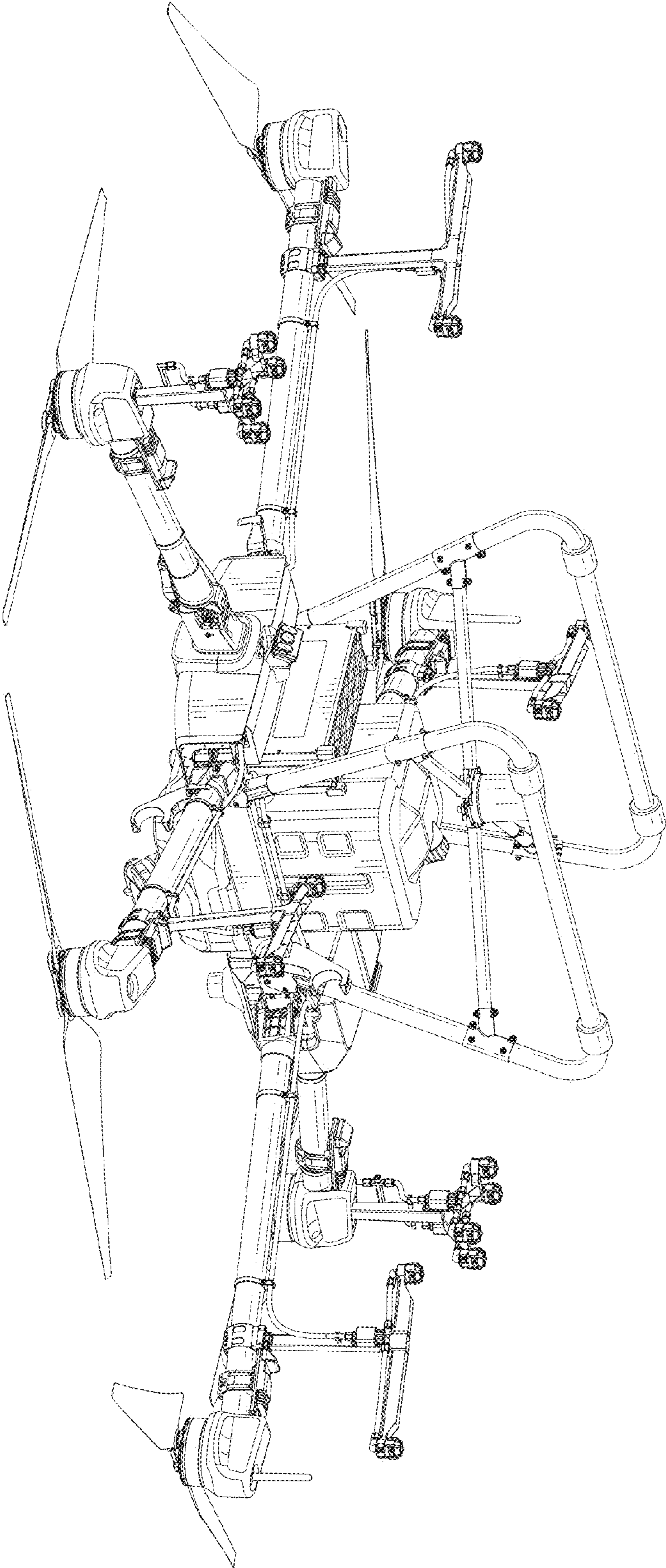


FIG. 2

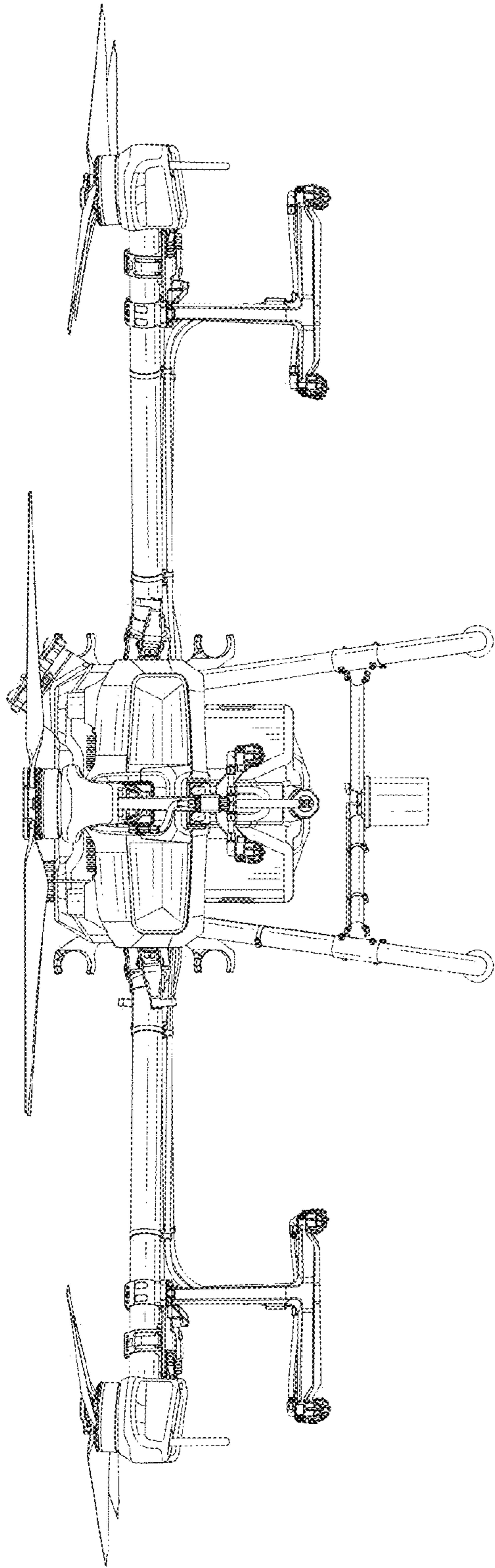


FIG. 3

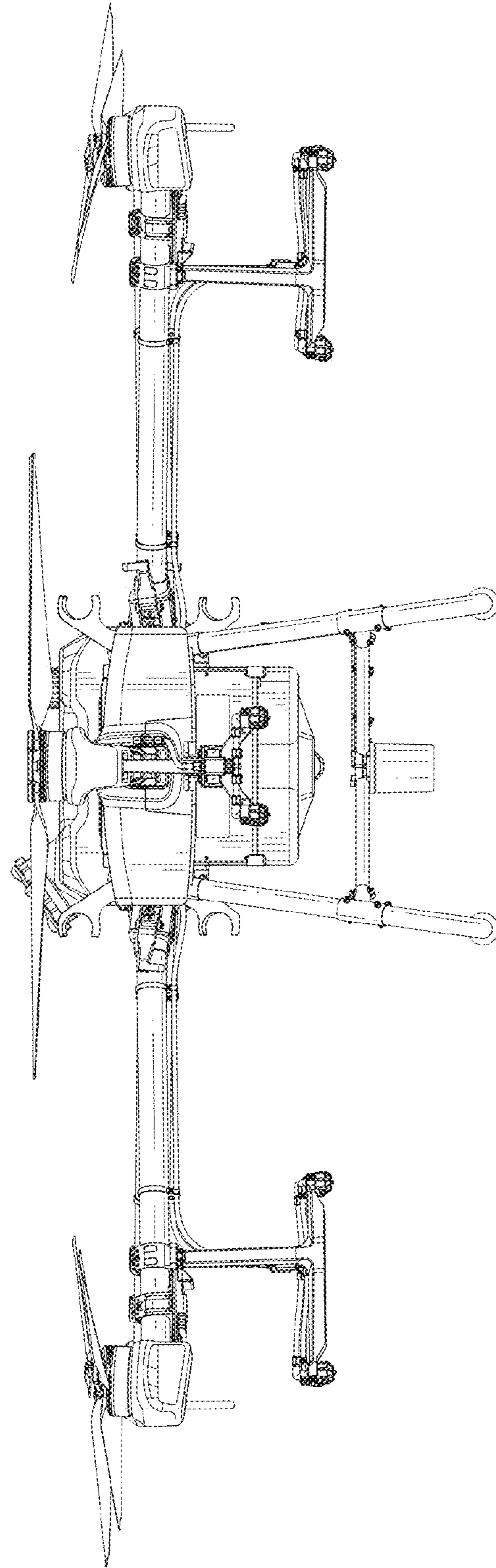


FIG. 4



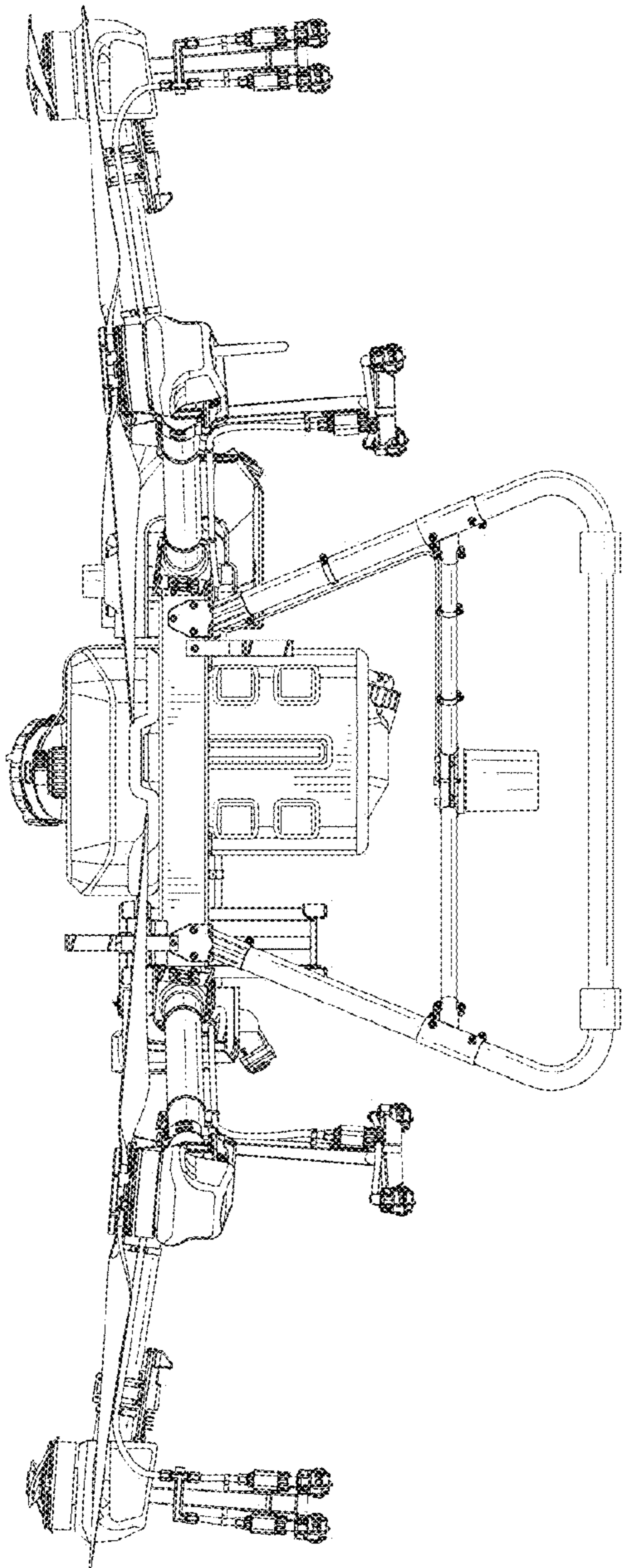


FIG. 5

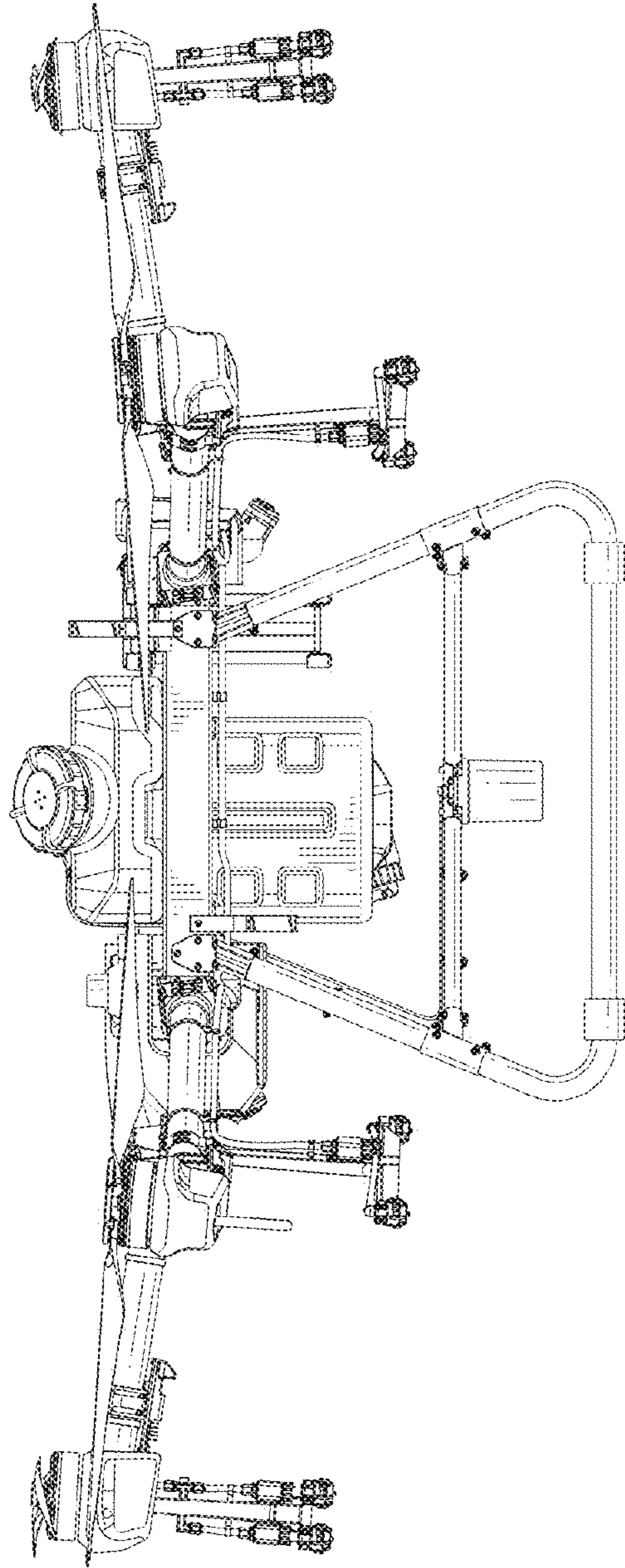


FIG. 6

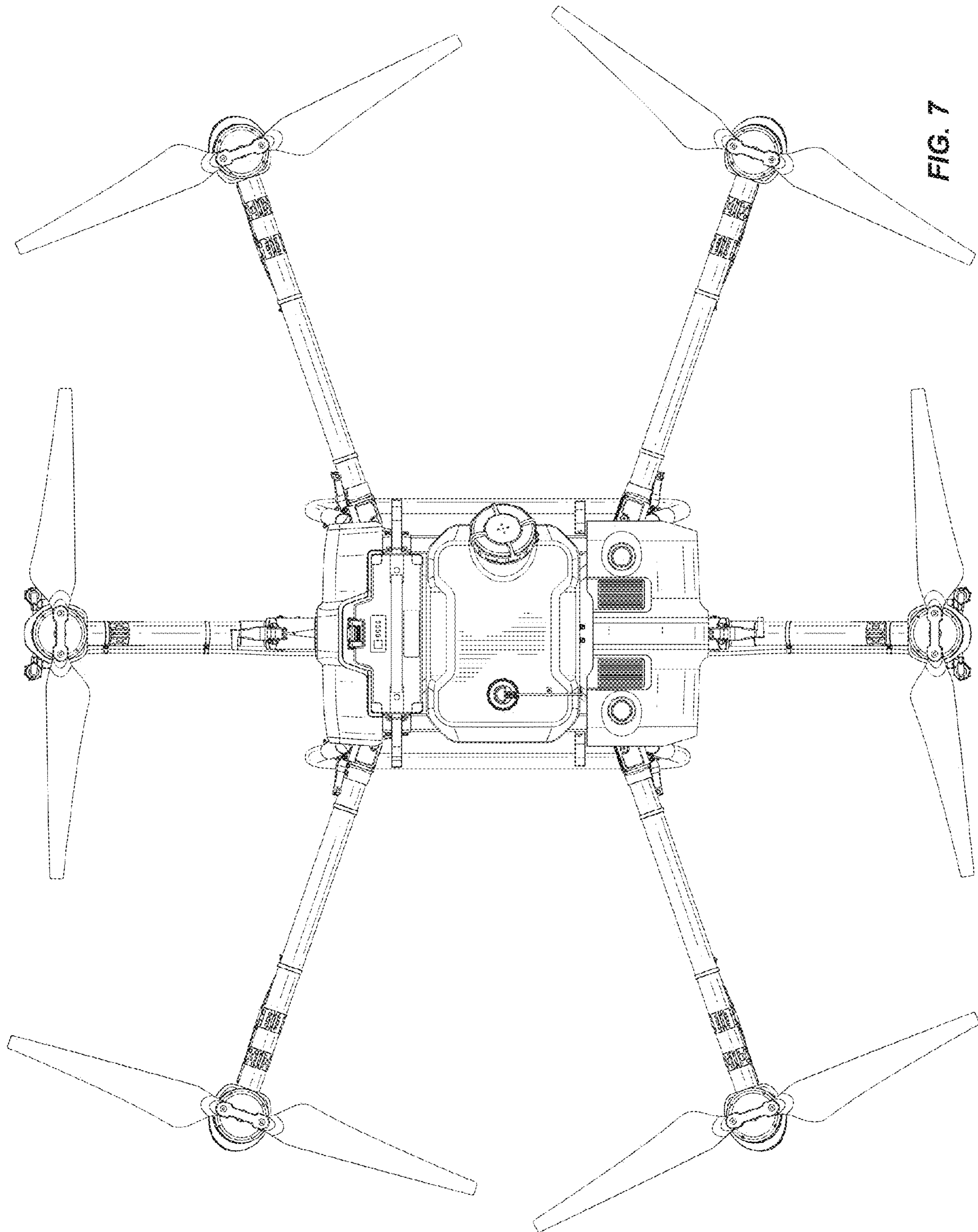


FIG. 7

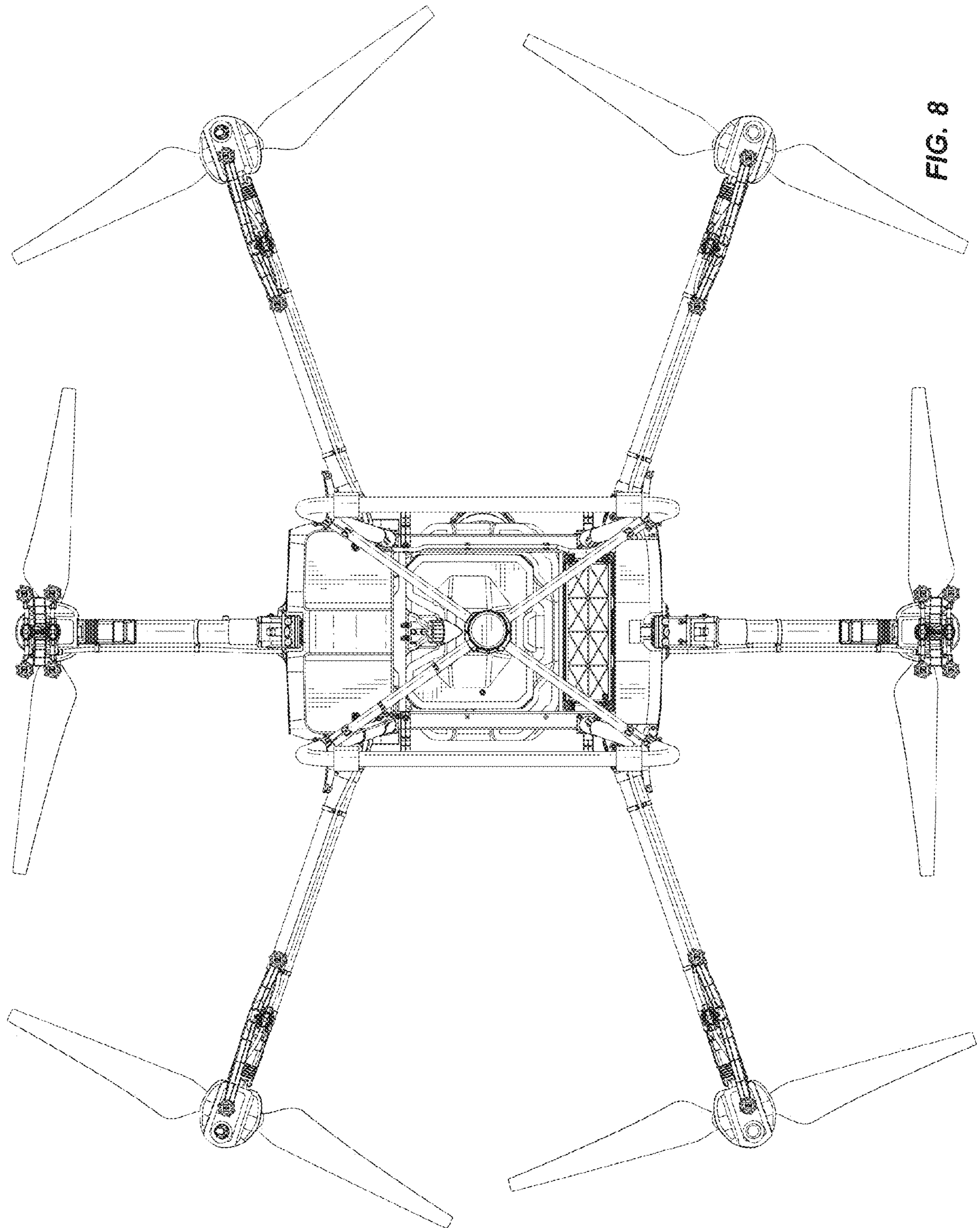


FIG. 8