



US00D980118S

(12) **United States Design Patent** (10) **Patent No.:** **US D980,118 S**  
**Gander et al.** (45) **Date of Patent:** **\*\* Mar. 7, 2023**

(54) **VEHICLE**  
(71) Applicant: **Oshkosh Defense, LLC**, Oshkosh, WI (US)  
(72) Inventors: **Jesse Gander**, Oshkosh, WI (US);  
**Devon Palmer**, Oshkosh, WI (US);  
**McCall Groen**, Oshkosh, WI (US)  
(73) Assignee: **Oshkosh Defense, LLC**, Oshkosh, WI (US)

D282,537 S 2/1986 Vitaloni  
D305,623 S 1/1990 Gallitzendoerfer et al.  
D323,305 S ‡ 1/1992 Smith ..... D12/12  
D361,544 S 8/1995 Eisenbraun  
D363,258 S 10/1995 Calce  
D376,562 S 12/1996 Sealy et al.  
D406,552 S ‡ 3/1999 Hellhake ..... D12/93  
(Continued)

(\*\*) Term: **15 Years**

**FOREIGN PATENT DOCUMENTS**

EP 1 633 619 ‡ 6/2004  
GB 2 400 588 ‡ 1/2005  
(Continued)

(21) Appl. No.: **29/706,547**  
(22) Filed: **Sep. 20, 2019**

**OTHER PUBLICATIONS**

U.S. Appl. No. 15/599,174, filed May 18, 2017, Oshkosh Defense, LLC.  
(Continued)

**Related U.S. Application Data**

(62) Division of application No. 29/602,245, filed on Apr. 28, 2017, now Pat. No. Des. 864,031.  
(51) **LOC (14) Cl.** ..... **12-16**  
(52) **U.S. Cl.**  
USPC ..... **D12/12; D12/196**  
(58) **Field of Classification Search**  
USPC ..... D12/12, 196  
CPC ..... B60H 1/265; B60J 5/0416; B60K 11/06;  
B62D 21/183; E05D 11/06  
See application file for complete search history.

*Primary Examiner* — George D. Kirschbaum  
(74) *Attorney, Agent, or Firm* — Foley & Lardner LLP

(56) **References Cited**

**U.S. PATENT DOCUMENTS**

D58,760 S 8/1921 Johnston  
D146,238 S ‡ 1/1947 Smart ..... 89/1.11  
D198,526 S 6/1964 Nallinger et al.  
D248,033 S 5/1978 James et al.  
D254,609 S 4/1980 Neal et al.  
D255,340 S 6/1980 Flesche  
D261,754 S 11/1981 Vitaloni  
D271,480 S 11/1983 Vitaloni  
D277,494 S ‡ 2/1985 Lerch ..... D21/559

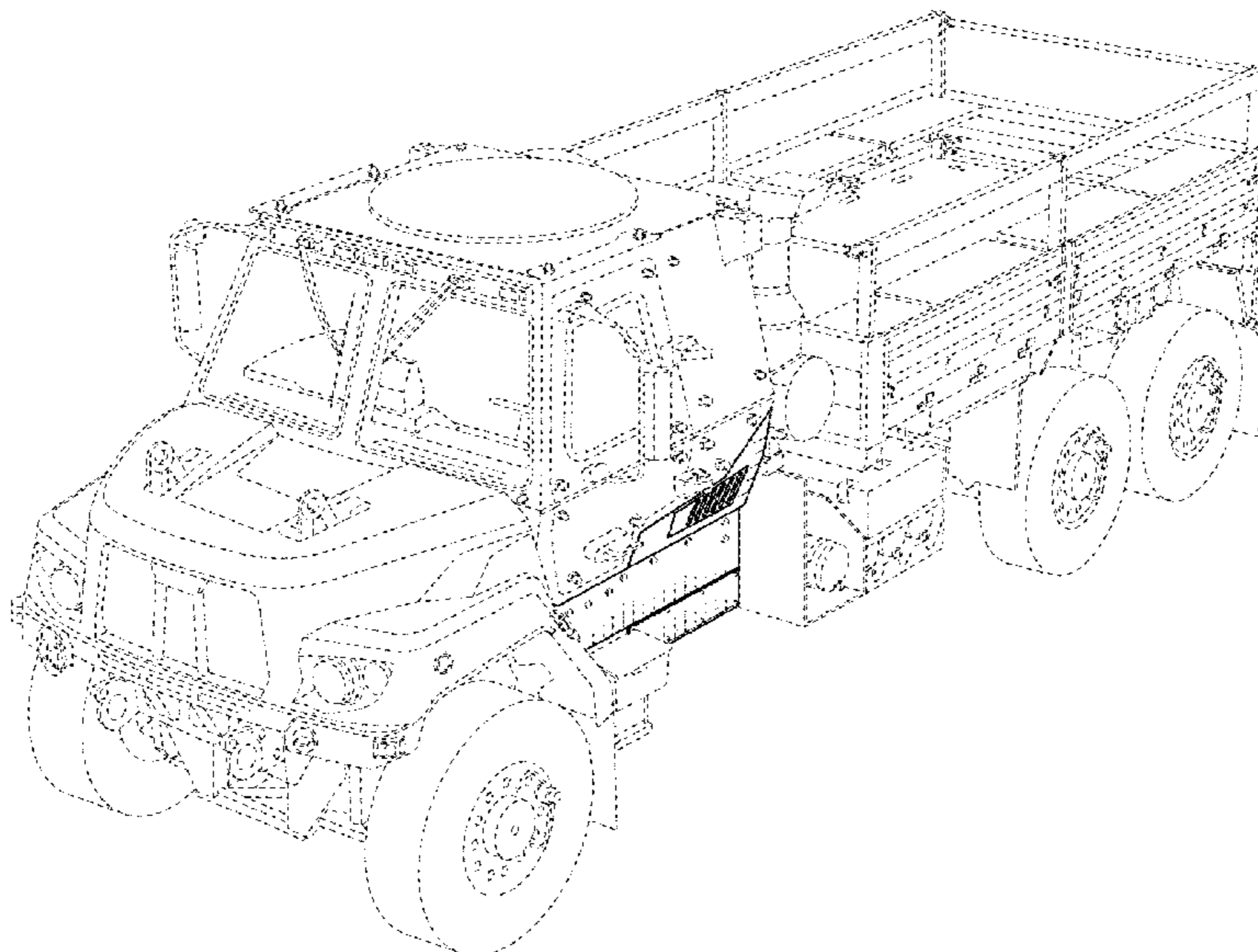
(57) **CLAIM**

We claim the ornamental design for a vehicle, as shown and described.

**DESCRIPTION**

FIG. 1 is a front perspective view of the claimed design;  
FIG. 2 is a front view thereof;  
FIG. 3 is a rear view thereof;  
FIG. 4 is a right side view thereof;  
FIG. 5 is a left side view thereof;  
FIG. 6 is a top view thereof; and,  
FIG. 7 is a bottom view thereof.  
The broken line showing is included for the purpose of illustrating portions of the "article" and forms no part of the claimed design.

**1 Claim, 6 Drawing Sheets**



(56)

References Cited

U.S. PATENT DOCUMENTS

D408,331 S 4/1999 Sacco et al.  
 D411,816 S 7/1999 Reynard et al.  
 D416,221 S ‡ 11/1999 Sutton ..... D12/196  
 D421,412 S 3/2000 Sutton et al.  
 D425,826 S 5/2000 Hellhake et al.  
 D442,519 S ‡ 5/2001 Sacco ..... D12/93  
 D442,888 S 5/2001 Papke et al.  
 D453,721 S 2/2002 Papke et al.  
 D458,569 S 6/2002 Birchler et al.  
 D462,036 S 8/2002 Mondragon Sarmiento et al.  
 D465,177 S 11/2002 Daurelle et al.  
 D466,050 S 11/2002 Forey et al.  
 D466,450 S ‡ 12/2002 Maher ..... D12/173  
 D467,525 S 12/2002 Sarmiento  
 6,520,494 B1 ‡ 2/2003 Andersen ..... B60G 7/00  
 267/15  
 D475,949 S ‡ 6/2003 Honer ..... D12/96  
 D491,844 S 6/2004 Poulin  
 6,779,806 B1 ‡ 8/2004 Breitbach ..... B60G 11/20  
 280/12  
 D498,193 S 11/2004 Metros et al.  
 D503,126 S 3/2005 Papke et al.  
 D504,092 S 4/2005 Lang et al.  
 6,882,917 B2 ‡ 4/2005 Pillar ..... A62C 27/00  
 701/48  
 D508,441 S 8/2005 Moushegian et al.  
 7,073,620 B2 ‡ 7/2006 Braun ..... B62D 7/1518  
 180/41  
 D530,248 S 10/2006 Branham  
 D534,836 S 1/2007 Moushegian et al.  
 D540,219 S 4/2007 Oka  
 D545,741 S 7/2007 Branham  
 7,258,194 B2 ‡ 8/2007 Braun ..... B62D 7/1518  
 180/41  
 D556,090 S ‡ 11/2007 Hammick ..... D12/12  
 D566,450 S 4/2008 Meding et al.  
 D570,741 S 6/2008 Emoto et al.  
 7,392,122 B2 ‡ 6/2008 Pillar ..... A62C 27/00  
 701/48  
 D572,642 S 7/2008 Steckling et al.  
 7,451,028 B2 ‡ 11/2008 Pillar ..... A62C 27/00  
 701/50  
 7,472,914 B2 ‡ 1/2009 Anderson ..... B60G 17/0195  
 280/12  
 D596,076 S ‡ 7/2009 Kelley ..... D12/15  
 D596,077 S ‡ 7/2009 Bryant ..... D12/15  
 D604,671 S ‡ 11/2009 Rupp ..... D12/93  
 D611,880 S ‡ 3/2010 Voss ..... D12/15  
 7,756,621 B2 ‡ 7/2010 Pillar ..... A62C 27/00  
 701/41  
 D631,800 S ‡ 2/2011 Peltola ..... D12/163  
 D642,493 S \* 8/2011 Goebert ..... D12/87  
 D645,380 S ‡ 9/2011 Beigel ..... D12/93  
 D647,001 S ‡ 10/2011 Rajderkar ..... D12/15  
 8,333,390 B2 ‡ 12/2012 Linsmeier ..... B60G 17/018  
 280/5  
 D685,294 S ‡ 7/2013 Hanson ..... D12/93  
 D699,627 S ‡ 2/2014 Tang ..... D12/14  
 D703,101 S ‡ 4/2014 deNatale ..... D12/86  
 D711,786 S ‡ 8/2014 Brzustowicz ..... D12/96  
 D716,693 S ‡ 11/2014 Higashikawa ..... D12/14  
 9,045,014 B1 ‡ 6/2015 Verhoff ..... B62D 33/0617  
 D737,866 S 9/2015 Datema et al.  
 D738,784 S ‡ 9/2015 Tunis ..... D12/12  
 D758,253 S ‡ 6/2016 Brzustowicz ..... D12/96  
 9,371,044 B1 ‡ 6/2016 Sadri ..... B60R 13/005  
 D767,444 S ‡ 9/2016 Chun ..... D12/14  
 D771,202 S ‡ 11/2016 Gan ..... D21/552  
 D771,203 S ‡ 11/2016 Gan ..... D21/552  
 9,494,170 B2 ‡ 11/2016 Hou ..... F15B 13/0401  
 D780,627 S ‡ 3/2017 Jhant ..... D12/14  
 D781,661 S ‡ 3/2017 Smith ..... D7/606  
 D782,935 S ‡ 4/2017 Knox ..... D12/87  
 D784,199 S ‡ 4/2017 Dunshee ..... D12/14

D784,870 S ‡ 4/2017 Ito ..... D12/173  
 9,656,640 B1 5/2017 Verhoff et al.  
 9,694,650 B1 \* 7/2017 Ohshita ..... B60H 1/265  
 9,707,869 B1 ‡ 7/2017 Messina ..... B62D 63/025  
 9,725,023 B2 \* 8/2017 Miller ..... B60K 11/06  
 9,822,562 B2 \* 11/2017 Borth ..... E05D 11/06  
 D826,785 S ‡ 8/2018 Ito ..... D12/93  
 D830,253 S ‡ 10/2018 Anderson ..... D12/173  
 D835,545 S \* 12/2018 Hanten ..... D12/87  
 D836,487 S ‡ 12/2018 Bollinger ..... D12/91  
 D837,702 S ‡ 1/2019 Gander ..... D12/173  
 D841,697 S ‡ 2/2019 Niclot ..... D15/28  
 D841,743 S ‡ 2/2019 Barajas ..... D21/548  
 D842,386 S ‡ 3/2019 Barajas ..... D21/548  
 D843,281 S ‡ 3/2019 Gander ..... B62D 21/152  
 D12/173  
 D852,674 S ‡ 7/2019 Wilcox ..... D12/87  
 10,357,995 B2 7/2019 Palmer et al.  
 D856,860 S 8/2019 Gander  
 D860,887 S 9/2019 Gander et al.  
 D863,144 S 10/2019 Gander  
 D864,031 S 10/2019 Gander et al.  
 10,434,995 B2 10/2019 Verhoff et al.  
 D869,332 S 12/2019 Gander et al.  
 D871,283 S 12/2019 Gander et al.  
 10,632,823 B1 \* 4/2020 Osorio ..... B60J 5/0416  
 D960,807 S \* 8/2022 Biyani ..... D12/196  
 D962,141 S \* 8/2022 Hipps ..... D12/196  
 2004/0002794 A1 ‡ 1/2004 Pillar ..... A62C 27/00  
 701/1  
 2004/0245039 A1 ‡ 12/2004 Braun ..... B62D 7/1518  
 180/41  
 2005/0234622 A1 ‡ 10/2005 Pillar ..... A62C 27/00  
 701/41  
 2006/0192361 A1 ‡ 8/2006 Anderson ..... B60G 17/0195  
 280/12  
 2006/0249325 A1 ‡ 11/2006 Braun ..... B62D 7/1518  
 180/41  
 2007/0234896 A1 ‡ 10/2007 Joynt ..... F41H 7/042  
 89/36.09  
 2008/0114513 A1 ‡ 5/2008 Pillar ..... A62C 27/00  
 701/41  
 2008/0166947 A1 ‡ 7/2008 Bernstein ..... A63H 17/008  
 446/464  
 2009/0033044 A1 ‡ 2/2009 Linsmeier ..... B60G 17/018  
 280/5  
 2009/0174158 A1 ‡ 7/2009 Anderson ..... B60G 17/0195  
 280/5  
 2012/0312607 A1 ‡ 12/2012 Joynt ..... F41H 5/023  
 180/54.1  
 2015/0232269 A1 ‡ 8/2015 Hou ..... F15B 13/0401  
 180/53  
 2017/0080350 A1 ‡ 3/2017 Allmendinger ..... A63H 17/262  
 2017/0253221 A1 ‡ 9/2017 Verhoff ..... B62D 24/00  
 2019/0185077 A1 6/2019 Smith et al.  
 2019/0263294 A1 \* 8/2019 Nishiguchi ..... B62D 21/183  
 2019/0351883 A1 11/2019 Verhoff et al.

FOREIGN PATENT DOCUMENTS

GB 2 400 589 ‡ 2/2005  
 GB 2 400 590 ‡ 3/2005  
 HK 1088583 ‡ 10/2007  
 WO WO-2004/110849 ‡ 12/2004  
 WO WO-2006/093835 ‡ 9/2006

OTHER PUBLICATIONS

U.S. Appl. No. 29/162,282, filed Jun. 13, 2002, Archer et al.  
 U.S. Appl. No. 29/162,344, filed Jun. 13, 2002, Archer et al.  
 U.S. Appl. No. 29/249,496, filed Oct. 9, 2006, Oshkosh Corporation.  
 U.S. Appl. No. 29/249,497, filed Oct. 9, 2006, Oshkosh Corporation.  
 U.S. Appl. No. 29/272,835, filed Feb. 20, 2007, Lackore.  
 U.S. Appl. No. 29/272,861, filed Feb. 20, 2007, Lackore.

(56)

**References Cited**

OTHER PUBLICATIONS

U.S. Appl. No. 29/602,256, filed Apr. 28, 2017, Oshkosh Defense, LLC.

U.S. Appl. No. 29/602,277, filed Apr. 28, 2017, Oshkosh Defense, LLC.

U.S. Appl. No. 29/649,693, filed May 31, 2018, Oshkosh Corporation.

U.S. Appl. No. 29/683,330, filed Mar. 12, 2019, Oshkosh Corporation.

U.S. Appl. No. 29/683,333, filed Mar. 12, 2019, Oshkosh Corporation.

U.S. Appl. No. 29/700,665, filed Aug. 5, 2019, Oshkosh Corporation.

U.S. Appl. No. 29/706,526, filed Sep. 20, 2019, Oshkosh Corporation.

U.S. Appl. No. 29/706,533, filed Sep. 20, 2019, Oshkosh Corporation.

\* cited by examiner

‡ imported from a related application

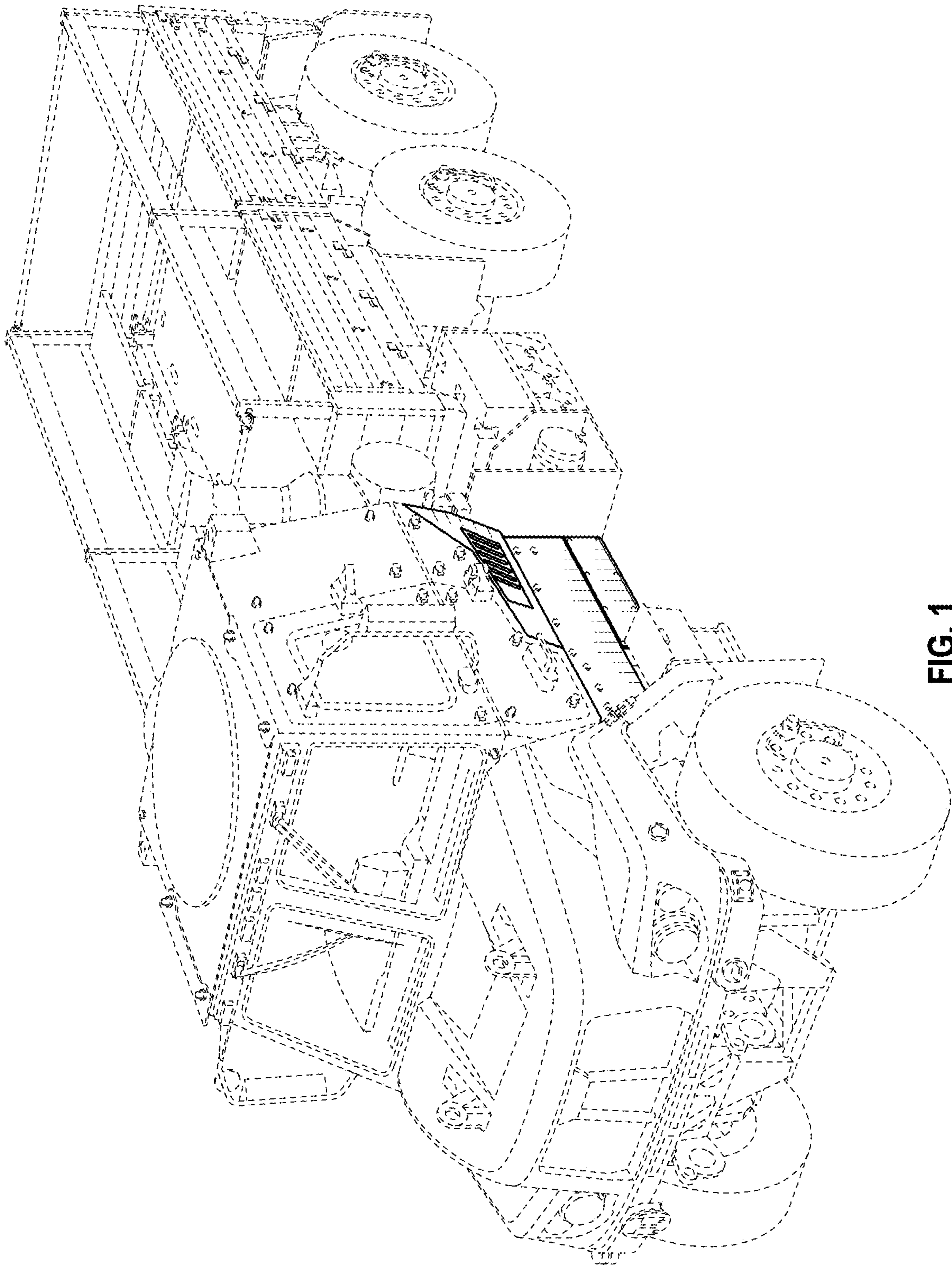


FIG. 1

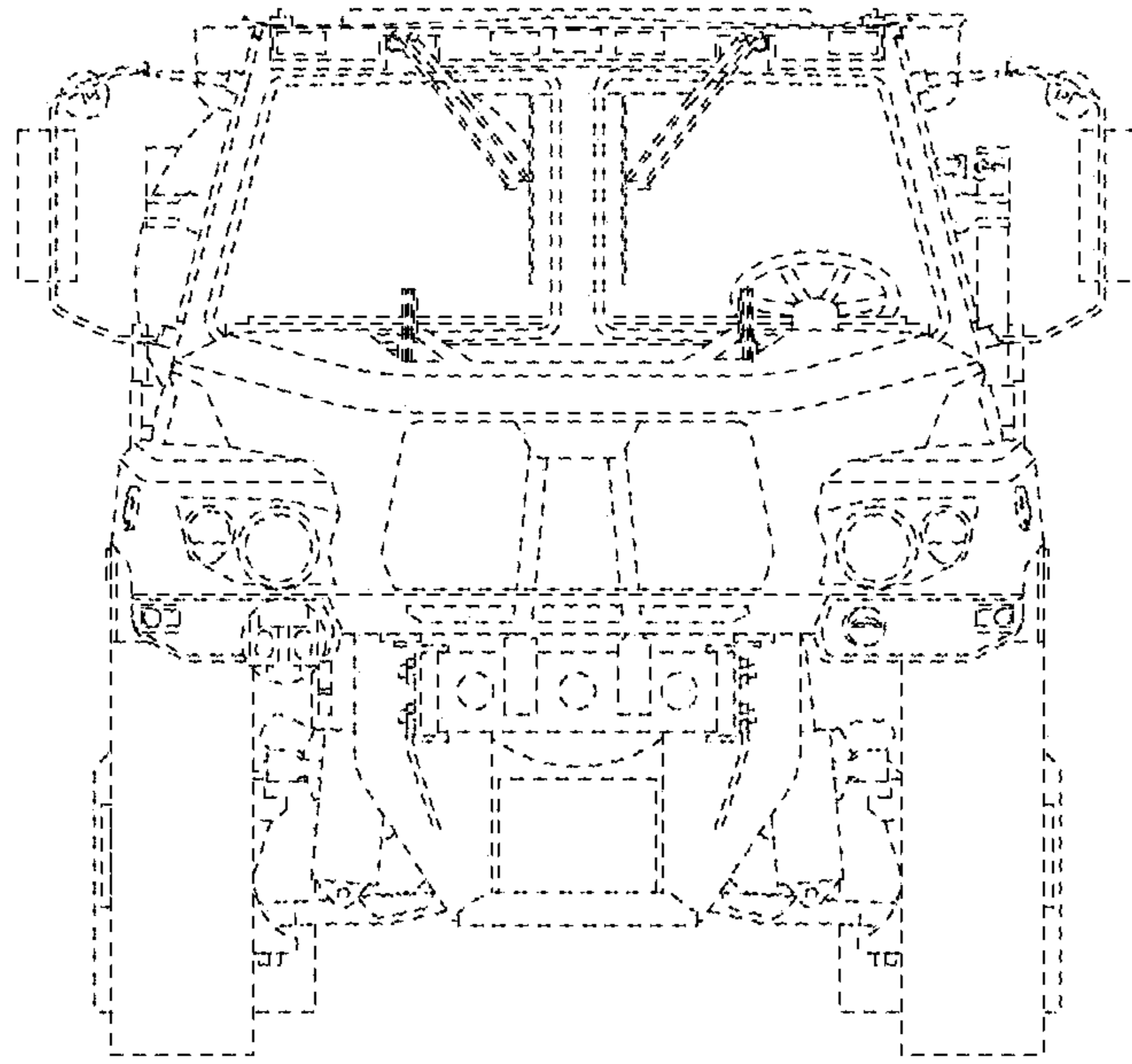


FIG. 2

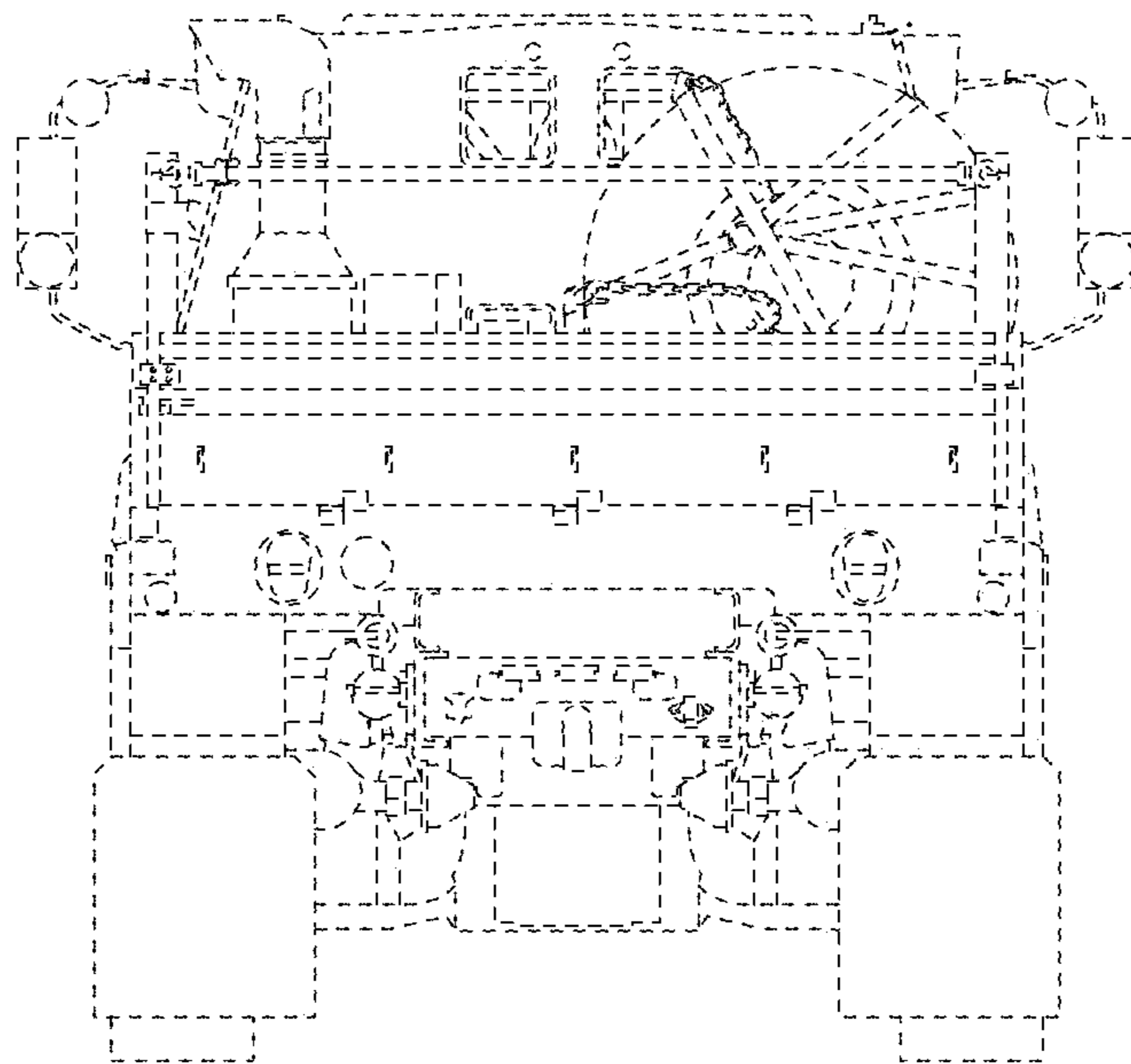


FIG. 3

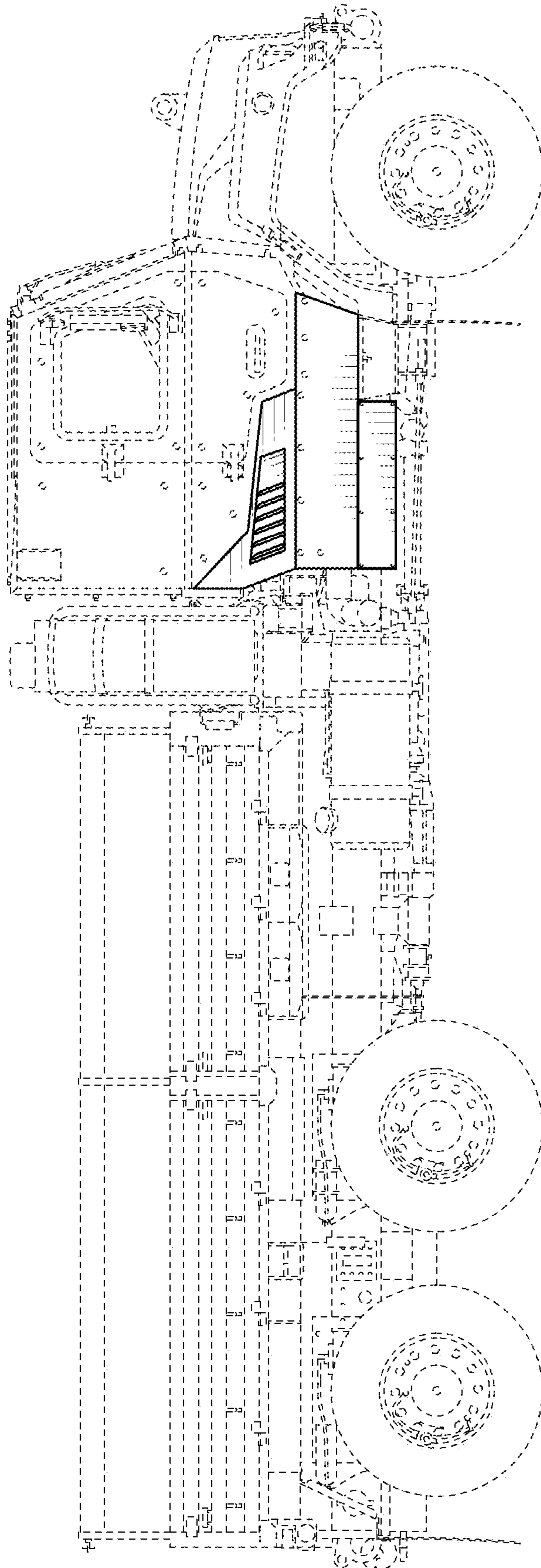


FIG. 4

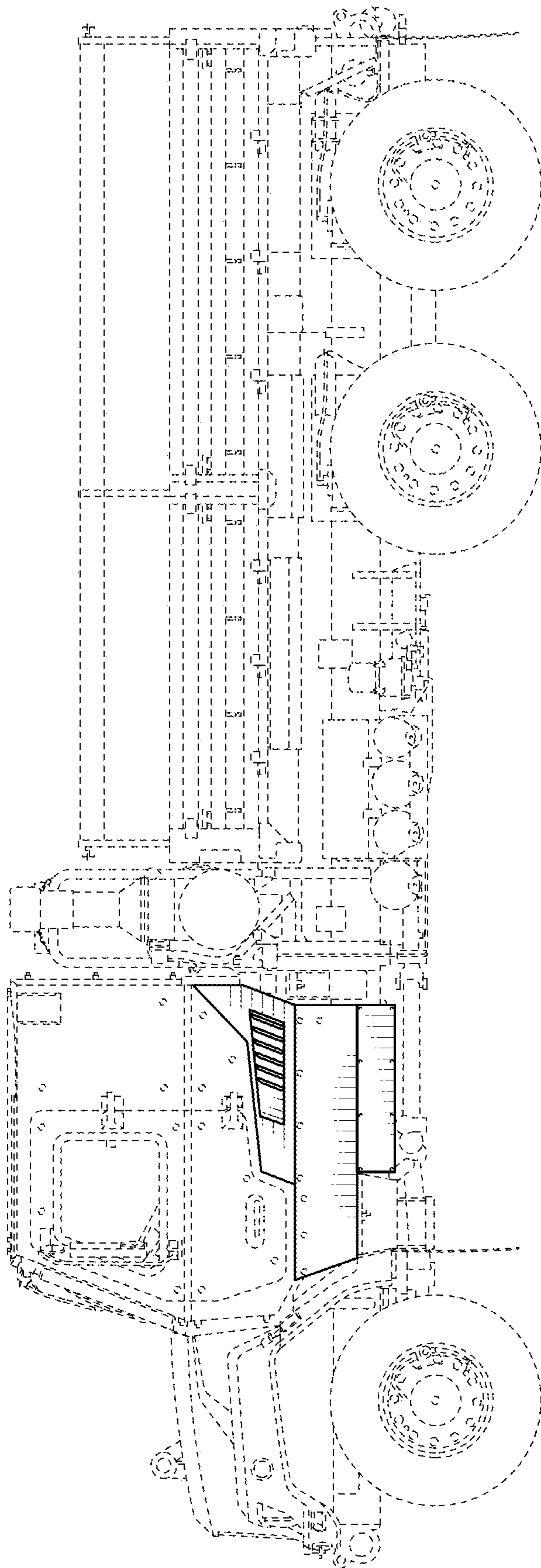


FIG. 5

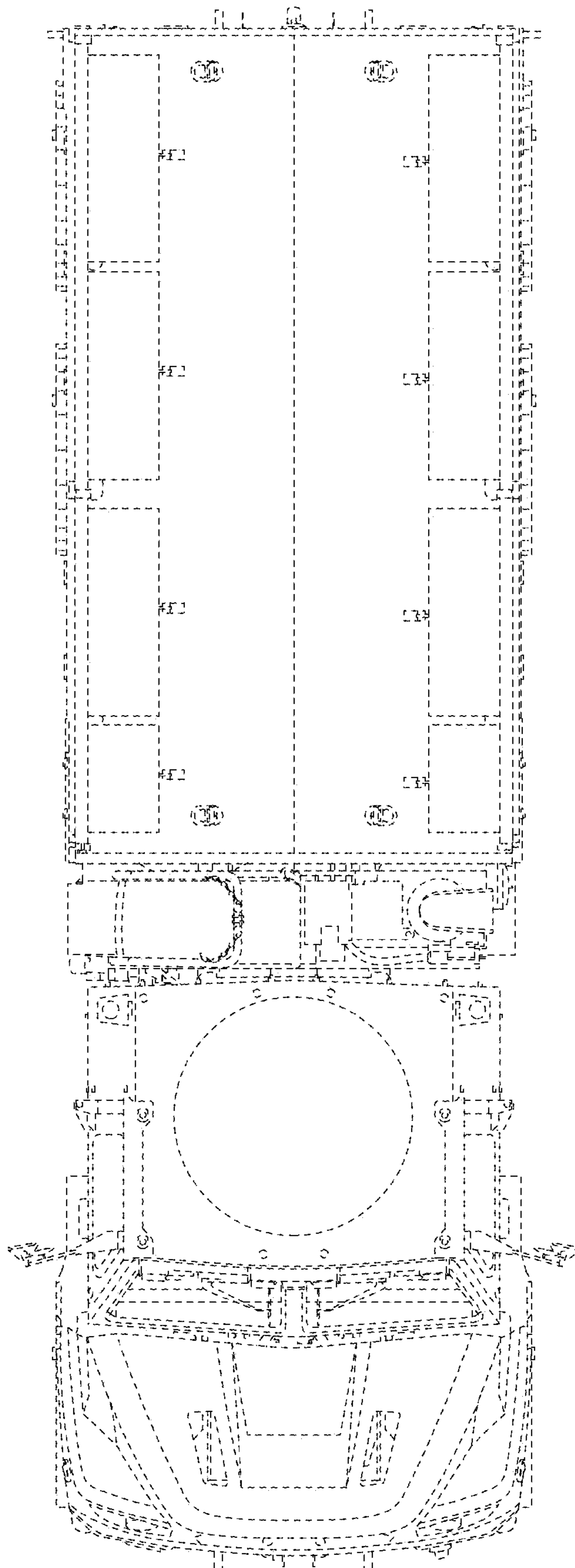


FIG. 6



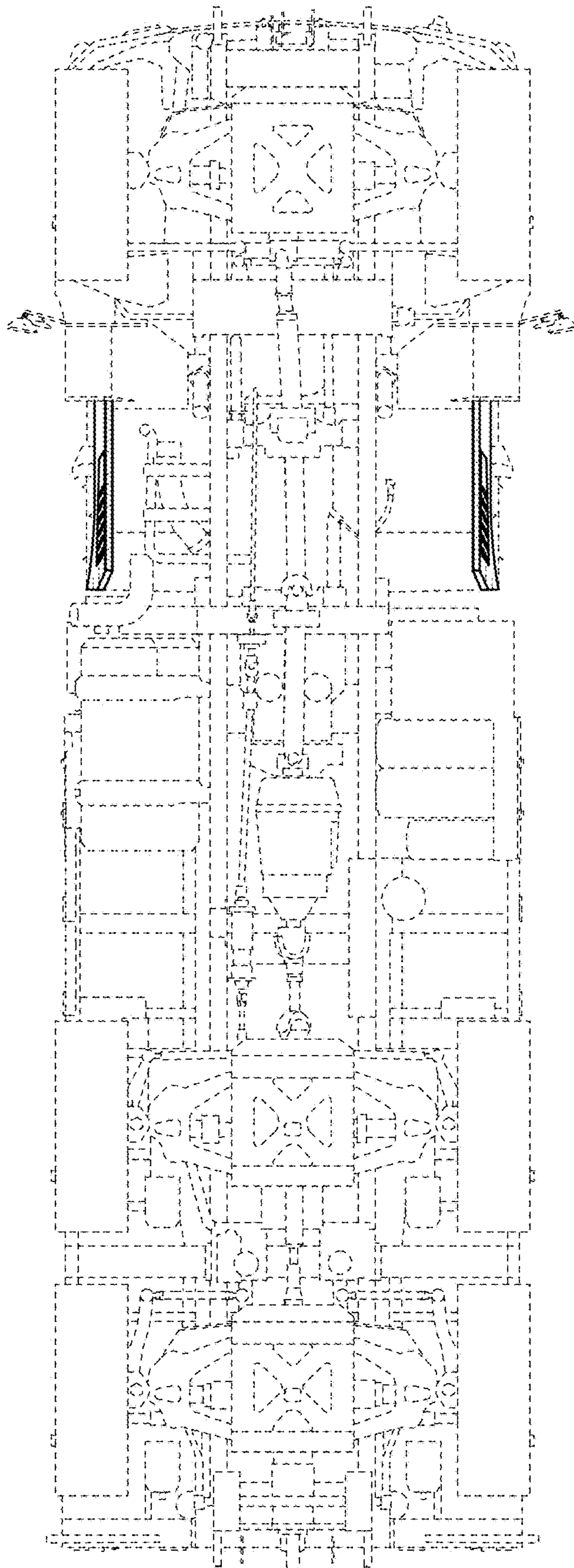


FIG. 7