



US00D980117S

(12) **United States Design Patent**
Rao

(10) **Patent No.:** **US D980,117 S**
(45) **Date of Patent:** **** Mar. 7, 2023**

(54) **BUCKLE**

(71) Applicant: **Shenzhen Haishangpo Technology Co., Ltd, Shenzhen (CN)**

(72) Inventor: **Cong Rao, Shenzhen (CN)**

(**) Term: **15 Years**

(21) Appl. No.: **29/833,959**

(22) Filed: **Apr. 8, 2022**

(51) **LOC (14) Cl.** **02-07**

(52) **U.S. Cl.**
USPC **D11/231**

(58) **Field of Classification Search**
USPC D11/3, 94, 61, 201, 218, 221, 230, 231, D11/232, 233, 237, 238, 241; D2/624-627
CPC ... A44B 11/2561; A44B 11/006; A44B 11/24; A44B 11/001; A44B 11/22; A44B 11/04; A44B 11/2576; A44B 11/28; B68C 1/14; G09F 3/18
See application file for complete search history.

6,142,348 A * 11/2000 Park A44B 11/005 224/183

6,698,070 B2 * 3/2004 Chen A44B 11/006 24/303

D619,928 S * 7/2010 Bodino D11/231

D815,089 S 4/2018 Grening et al.

D856,846 S * 8/2019 Mouquet D11/231

D857,552 S 8/2019 Mouquet

D871,249 S 12/2019 Deng

D879,643 S 3/2020 Deng

D879,644 S 3/2020 Deng

D879,661 S 3/2020 Deng

D915,936 S * 4/2021 Mouquet D11/231

D915,937 S * 4/2021 Dumas D11/231

D928,655 S * 8/2021 Mouquet D11/232

2008/0276437 A1 * 11/2008 Williams A44B 11/22 24/68 E

2020/0187605 A1 * 6/2020 Catan A44C 5/246

* cited by examiner

Primary Examiner — John A Voytek

(74) *Attorney, Agent, or Firm* — Rumit Ranjit Kanakia

(57) **CLAIM**

The ornamental design for a buckle, as shown and described.

DESCRIPTION

FIG. 1 is a front perspective view of a buckle showing my new design;

FIG. 2 is a front view thereof;

FIG. 3 is a rear view thereof;

FIG. 4 is a right side view thereof;

FIG. 5 is a left side view thereof;

FIG. 6 is a top view thereof; and,

FIG. 7 is a bottom view thereof.

The broken lines in the drawings depict portions of the buckle that form no part of the claimed design.

1 Claim, 5 Drawing Sheets

(56) **References Cited**

U.S. PATENT DOCUMENTS

102,076 A * 4/1870 Adair A44B 11/22 24/176

885,701 A * 4/1908 Patterson A44B 11/22 24/174

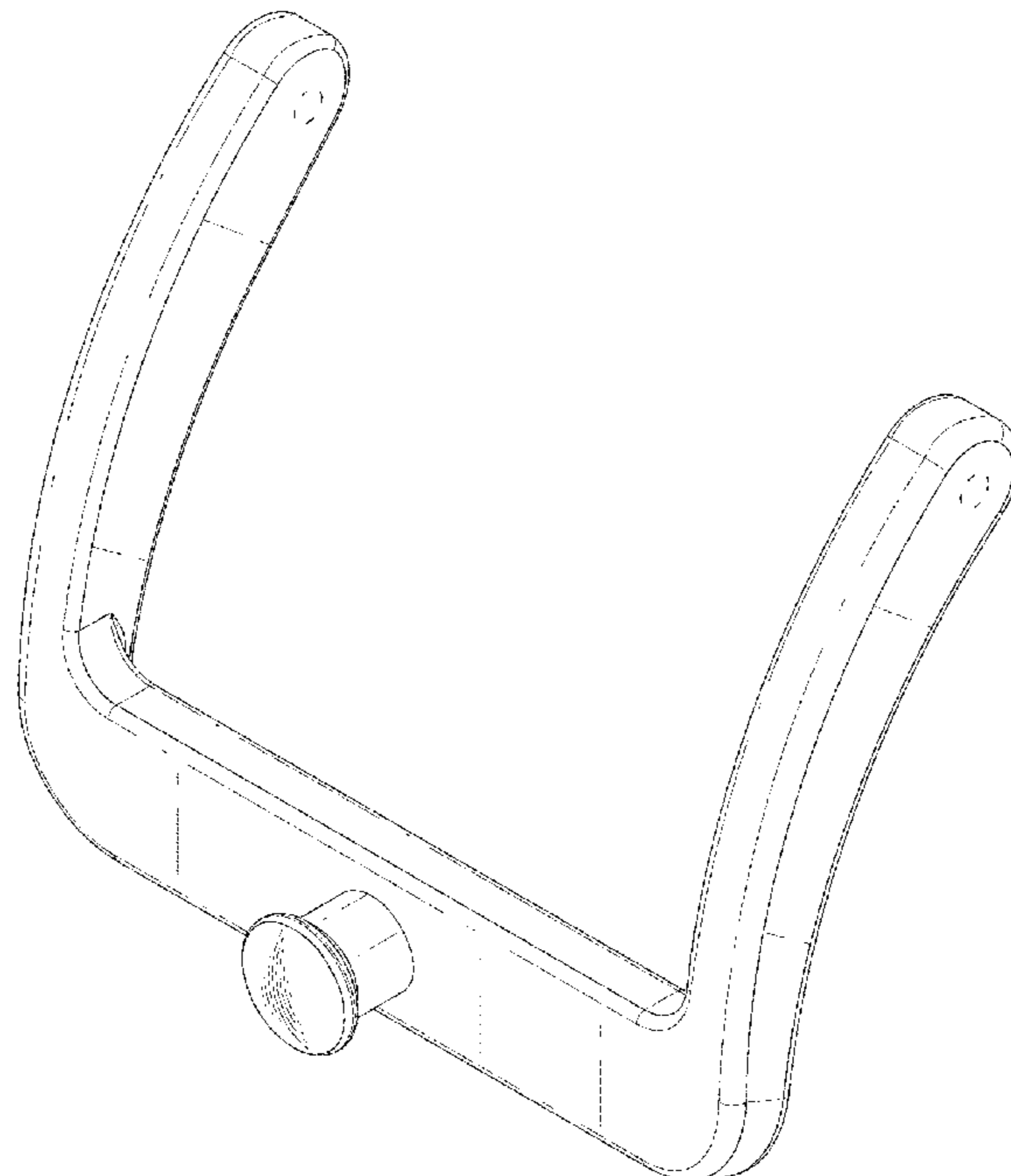
900,774 A * 10/1908 Pearl A44B 11/22 24/176

926,634 A * 6/1909 Anderson A44B 11/22 24/196

D245,129 S * 7/1977 Adams D11/232

D256,402 S * 8/1980 Okura D10/31

D277,051 S * 1/1985 Baron D11/231



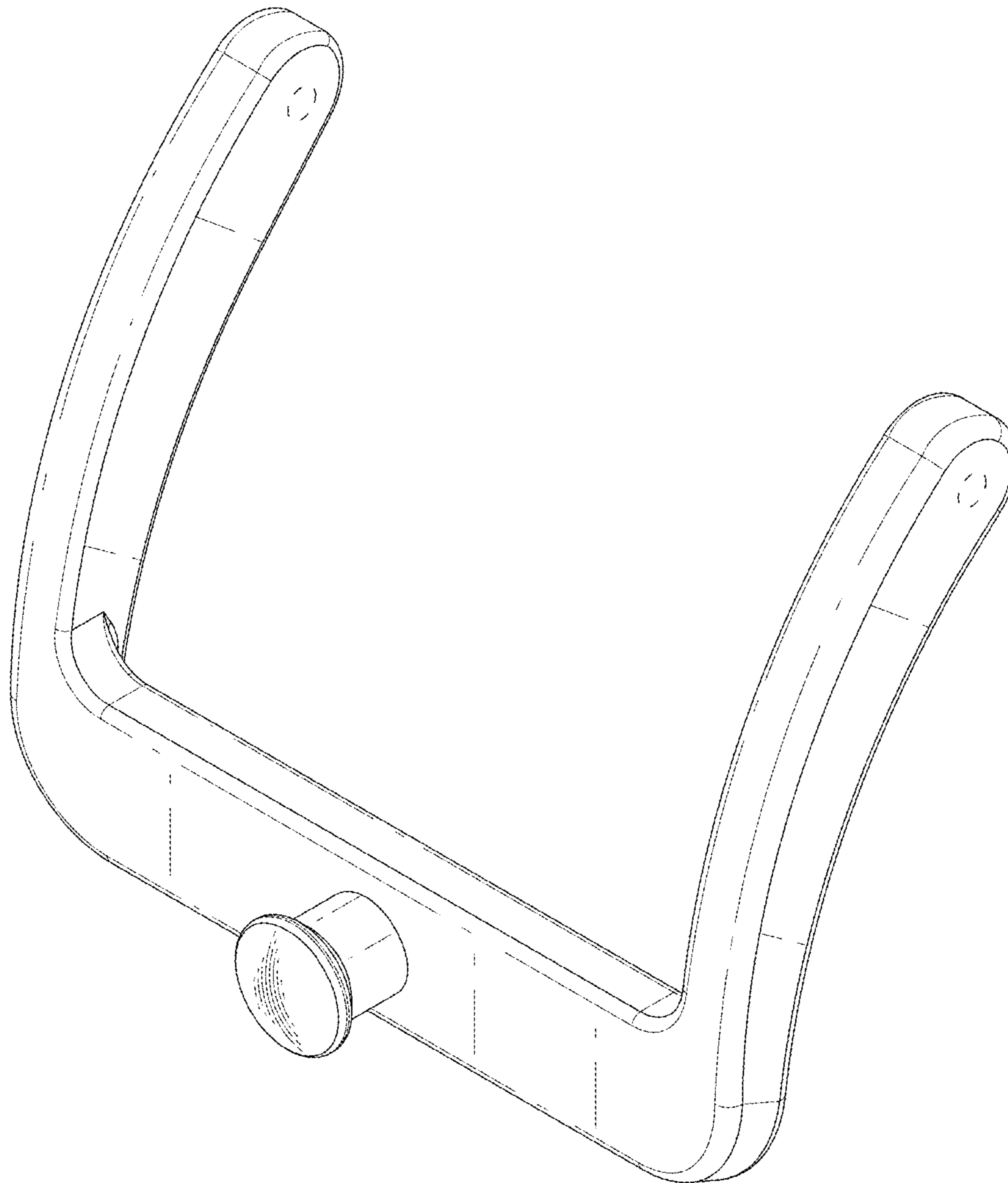


FIG. 1

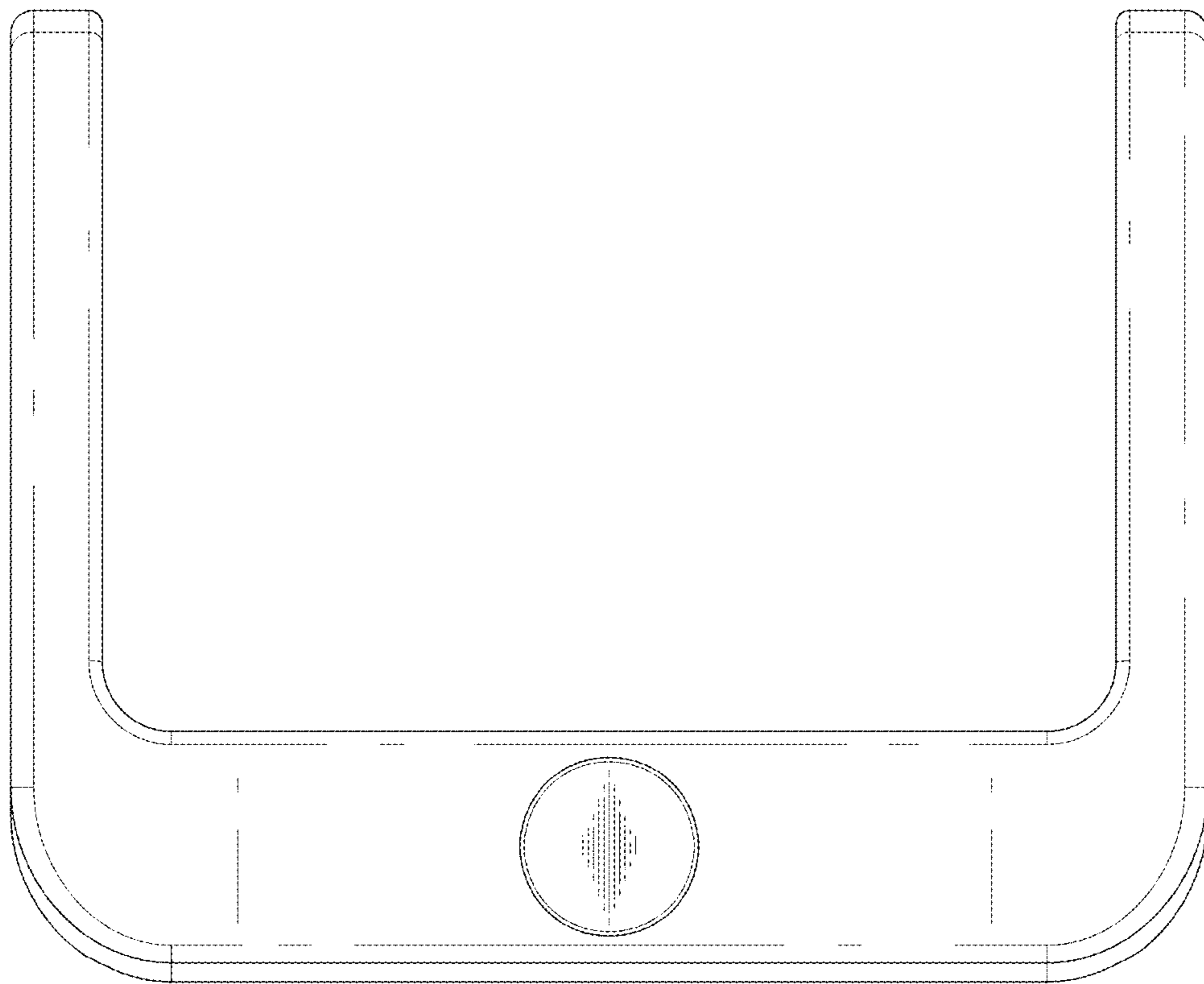


FIG. 2

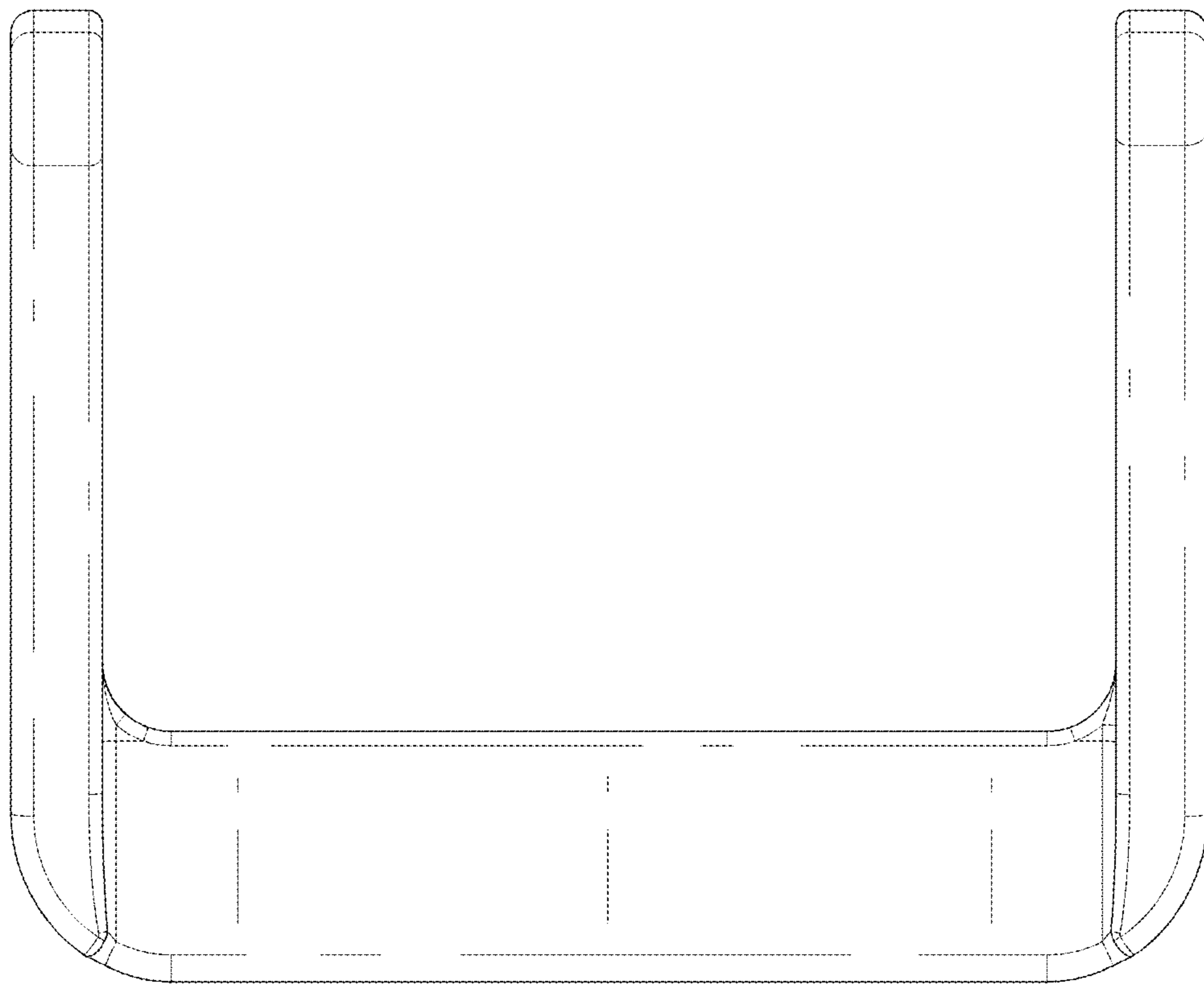


FIG. 3

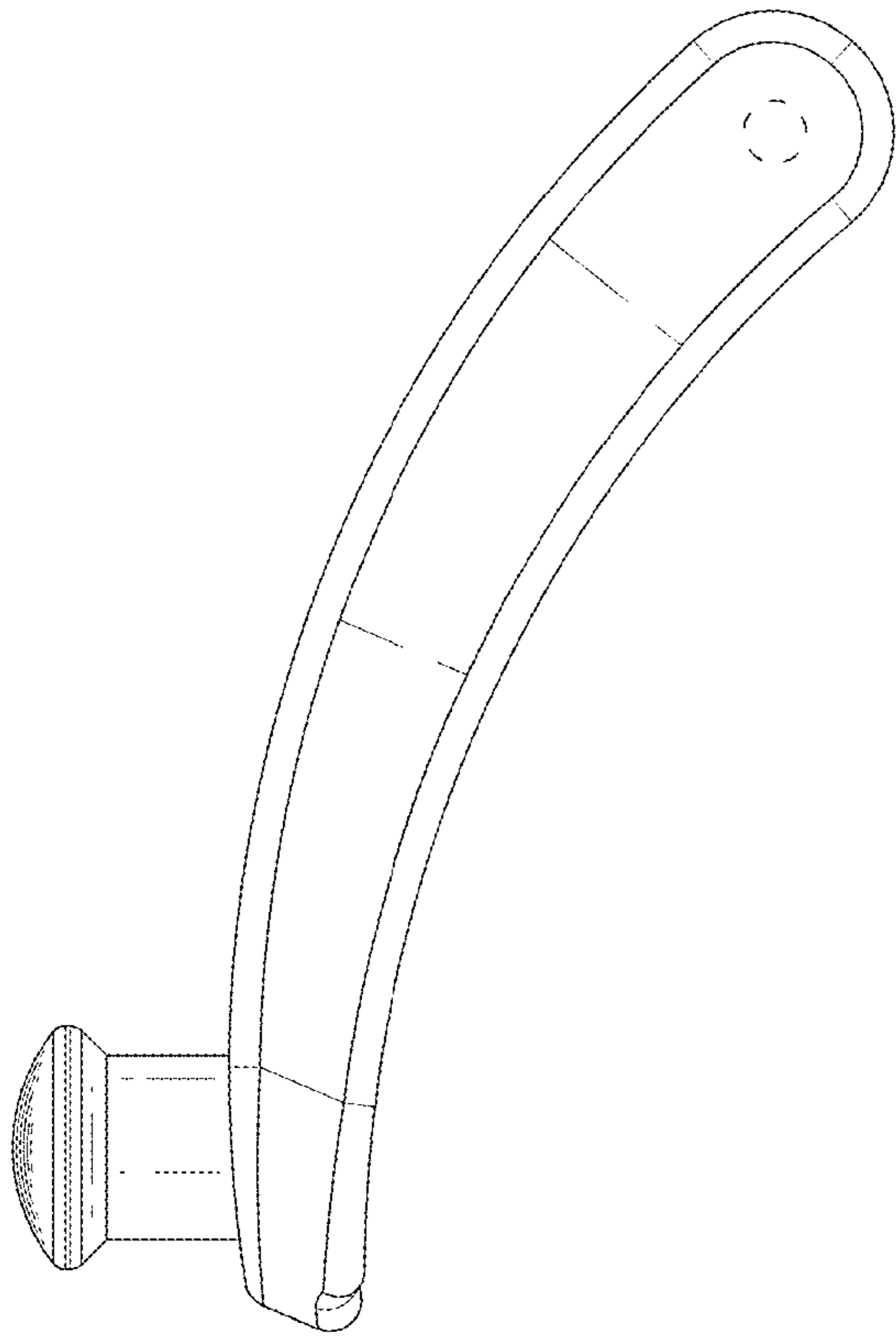


FIG. 4

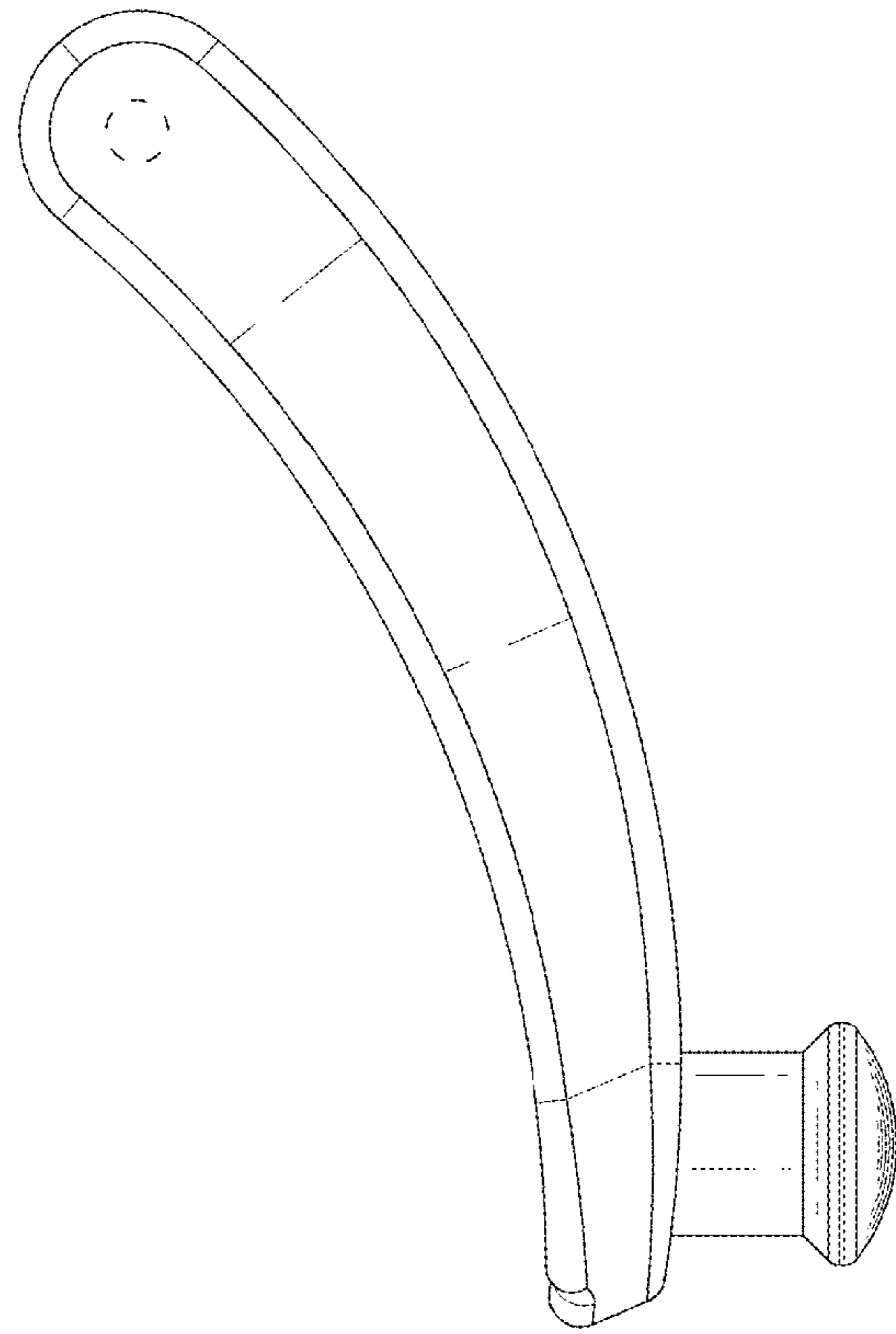


FIG. 5

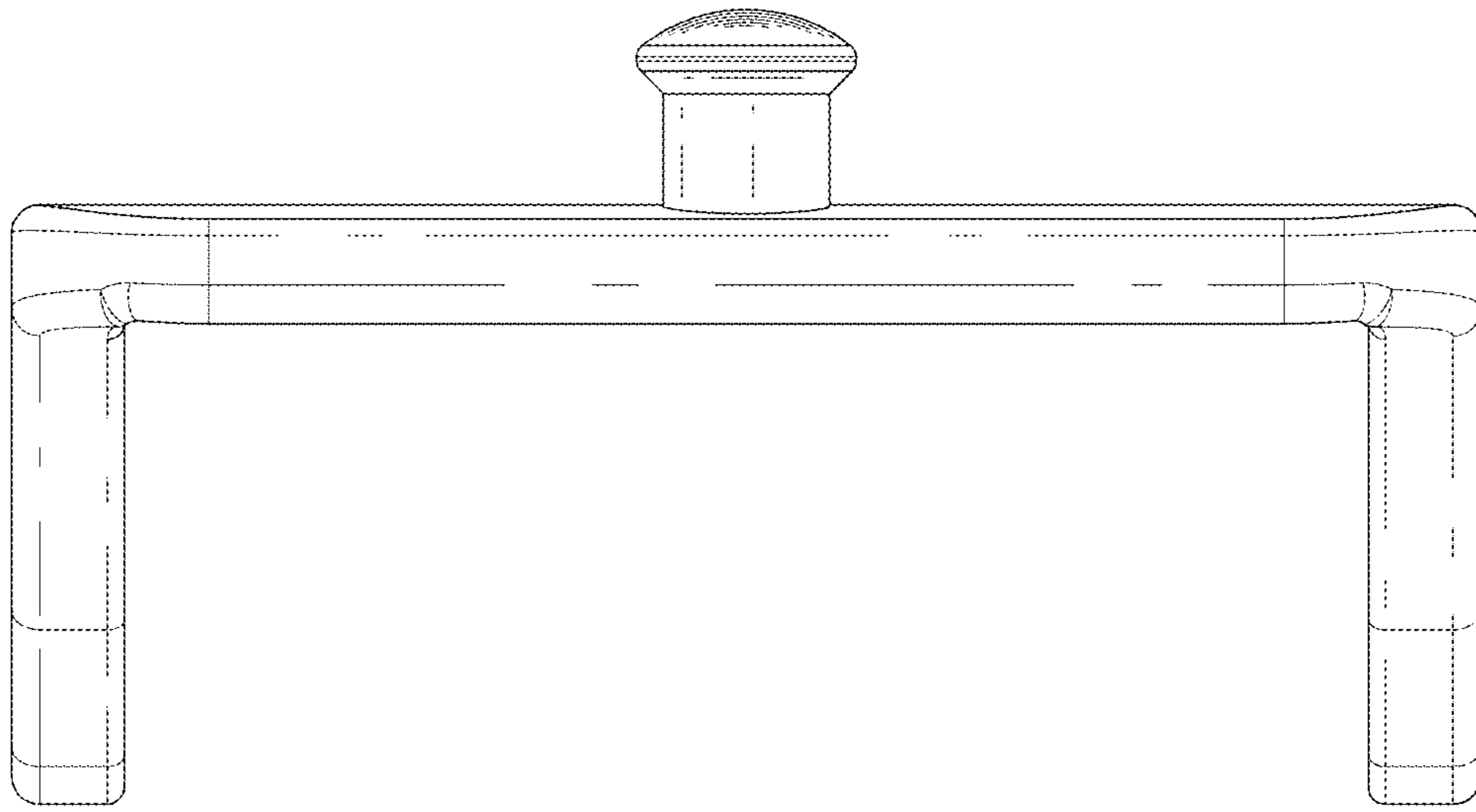


FIG. 6

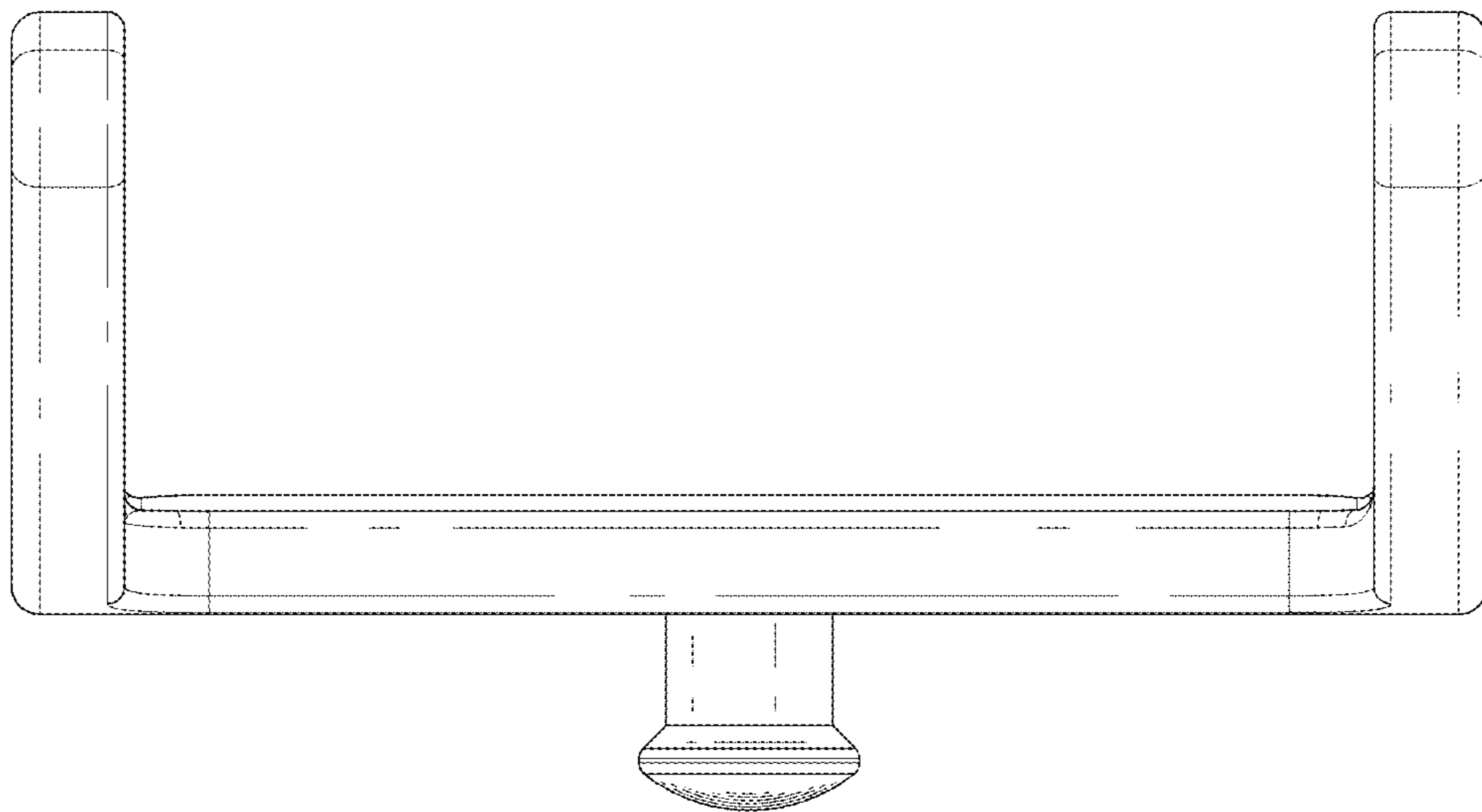


FIG. 7