



US00D980115S

(12) **United States Design Patent**  
**Qu**

(10) **Patent No.:** **US D980,115 S**

(45) **Date of Patent:** **\*\* Mar. 7, 2023**

(54) **BUCKLE**

(71) Applicant: **Shenzhen Fengtouniao Technology Co., Ltd.**, Shenzhen (CN)

(72) Inventor: **Weiwei Qu**, Fengcheng (CN)

(\*\*) Term: **15 Years**

(21) Appl. No.: **29/830,515**

(22) Filed: **Mar. 14, 2022**

(51) **LOC (14) Cl.** ..... **02-07**

(52) **U.S. Cl.**  
USPC ..... **D11/231**

(58) **Field of Classification Search**  
USPC ..... D11/3, 94, 61, 201, 218, 221, 230, 231,  
D11/232, 233, 237, 238, 241;  
D2/624–627  
CPC ... A44B 11/2561; A44B 11/006; A44B 11/24;  
A44B 11/001; A44B 11/22; A44B 11/04;  
A44B 11/2576; A44B 11/28; B68C 1/14;  
G09F 3/18  
See application file for complete search history.

6,142,348 A \* 11/2000 Park ..... A44B 11/005  
224/183  
D579,820 S \* 11/2008 Brown ..... D11/231  
7,617,801 B2 \* 11/2009 Wang ..... A01K 27/001  
24/186  
D619,928 S \* 7/2010 Bodino ..... D11/231  
D637,519 S \* 5/2011 Coffman ..... D11/234  
D830,227 S \* 10/2018 Mouquet ..... D11/231  
D856,190 S \* 8/2019 Dumas ..... D11/231  
D856,846 S \* 8/2019 Mouquet ..... D11/231  
D864,697 S 10/2019 Gnocchini  
D871,249 S 12/2019 Deng  
D879,643 S 3/2020 Deng et al.  
D881,739 S 4/2020 Deng et al.  
D885,254 S 5/2020 Jiang  
10,820,665 B1 \* 11/2020 Baber ..... A44B 11/006  
D915,935 S \* 4/2021 Mouquet ..... D11/231  
D915,936 S \* 4/2021 Mouquet ..... D11/231  
D915,937 S \* 4/2021 Dumas ..... D11/231  
D915,938 S \* 4/2021 Dumas ..... D11/231  
D915,939 S \* 4/2021 Mouquet ..... D11/231

(Continued)

*Primary Examiner* — John A Voytek

(74) *Attorney, Agent, or Firm* — Rumit Ranjit Kanakia

(57) **CLAIM**

The ornamental design for a buckle, as shown and described.

**DESCRIPTION**

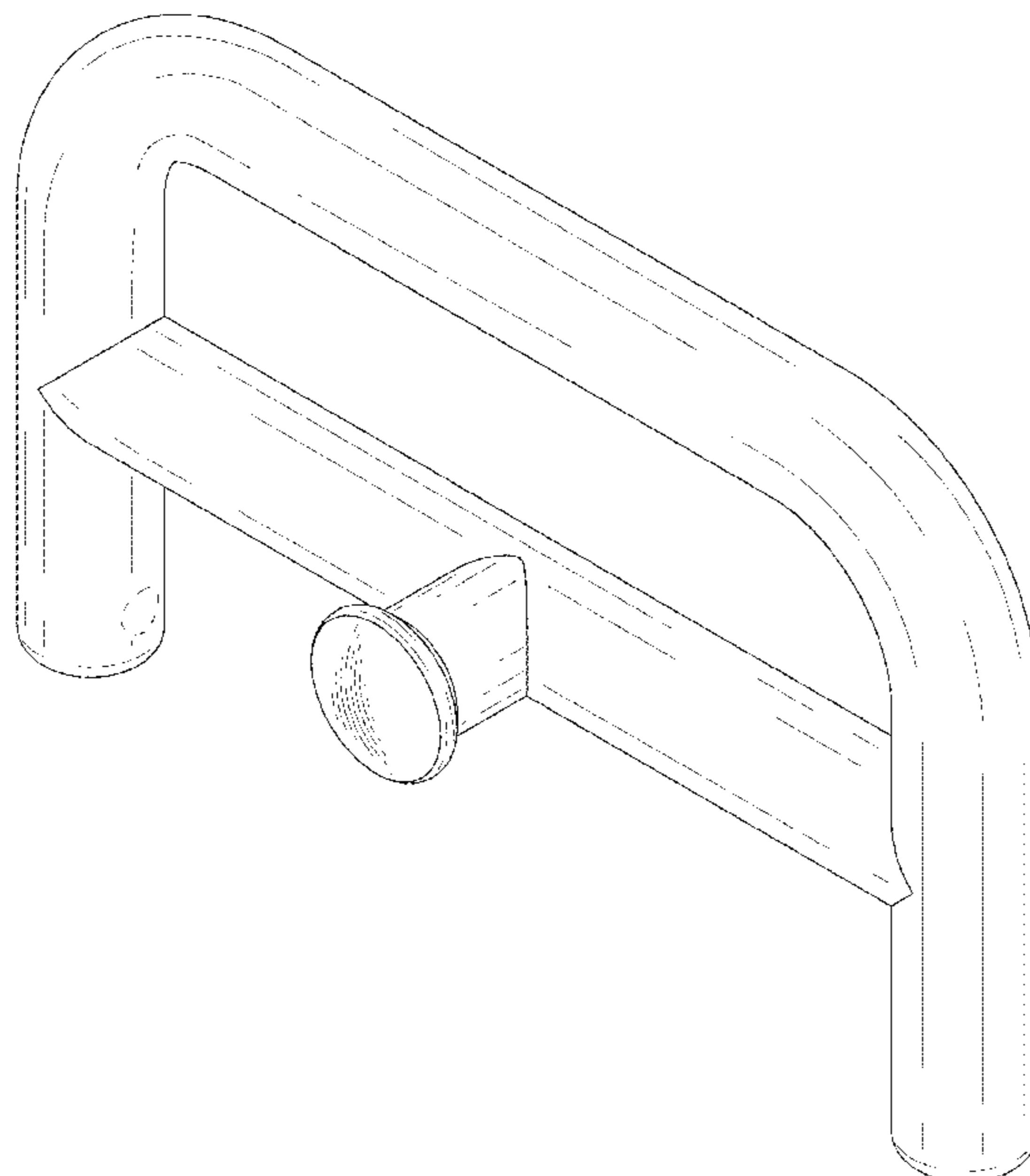
FIG. 1 is a front perspective view of a buckle showing my new design;  
FIG. 2 is a front view thereof;  
FIG. 3 is a rear view thereof;  
FIG. 4 is a left-side view thereof;  
FIG. 5 is a right-side view thereof;  
FIG. 6 is a top view thereof; and,  
FIG. 7 is a bottom view thereof.  
The broken lines in the drawings depict portions of the buckle that form no part of the claimed design.

**1 Claim, 5 Drawing Sheets**

(56) **References Cited**

U.S. PATENT DOCUMENTS

102,076 A \* 4/1870 Adair ..... A44B 11/22  
24/176  
430,078 A \* 6/1890 Latham ..... A44B 11/22  
24/176  
900,774 A \* 10/1908 Pearl ..... A44B 11/22  
24/176  
926,634 A \* 6/1909 Anderson ..... A44B 11/22  
24/196  
1,203,280 A \* 10/1916 Troop ..... A44B 11/22  
24/176  
D134,306 S \* 11/1942 Lipari ..... D11/231  
D135,154 S \* 3/1943 Huff ..... D11/231  
D348,420 S \* 7/1994 Edsall ..... D11/218



(56)

**References Cited**

U.S. PATENT DOCUMENTS

2008/0276437 A1\* 11/2008 Williams ..... A44B 11/22  
24/68 E  
2020/0187605 A1\* 6/2020 Catanese ..... A44C 5/246

\* cited by examiner

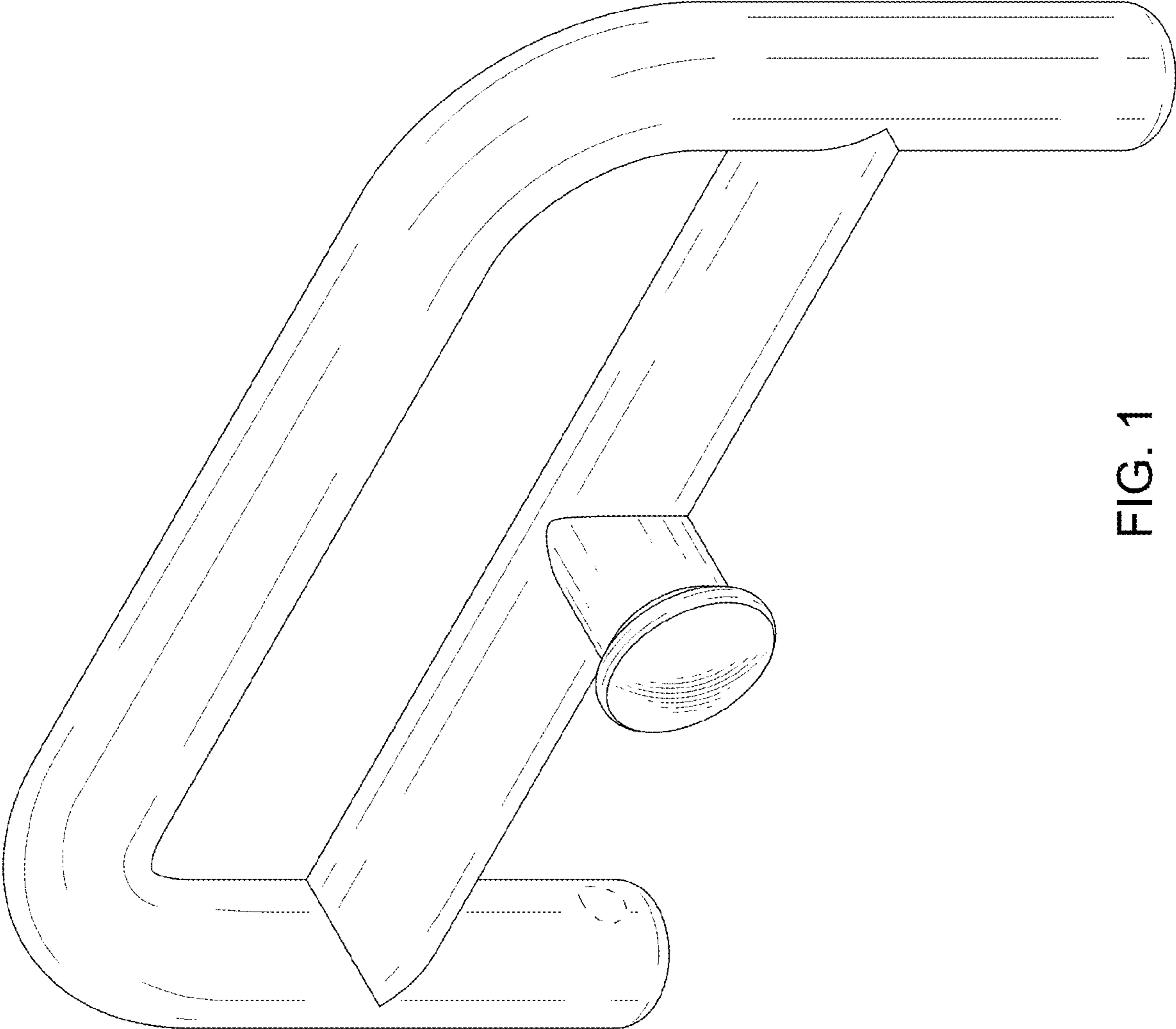


FIG. 1

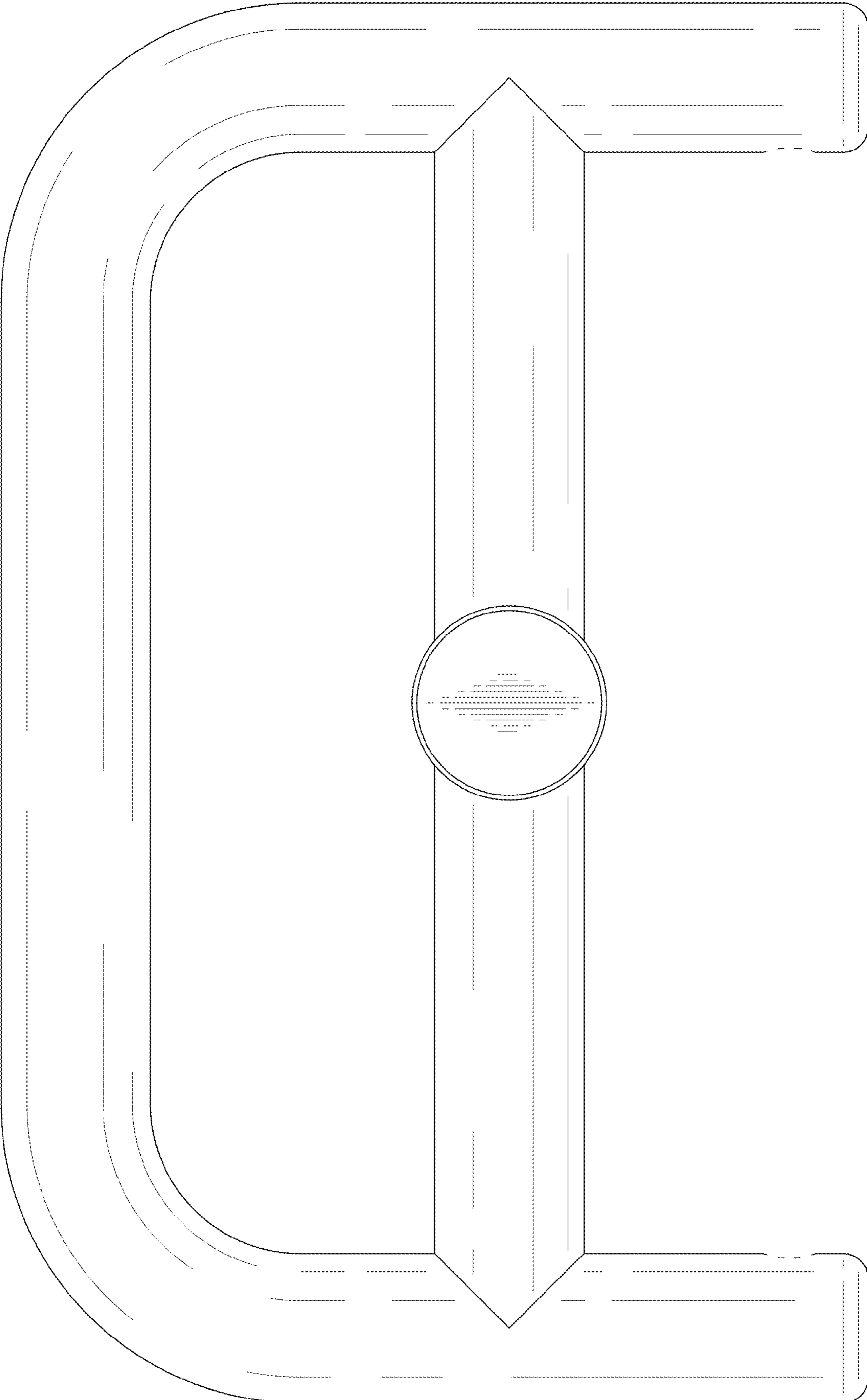


FIG. 2

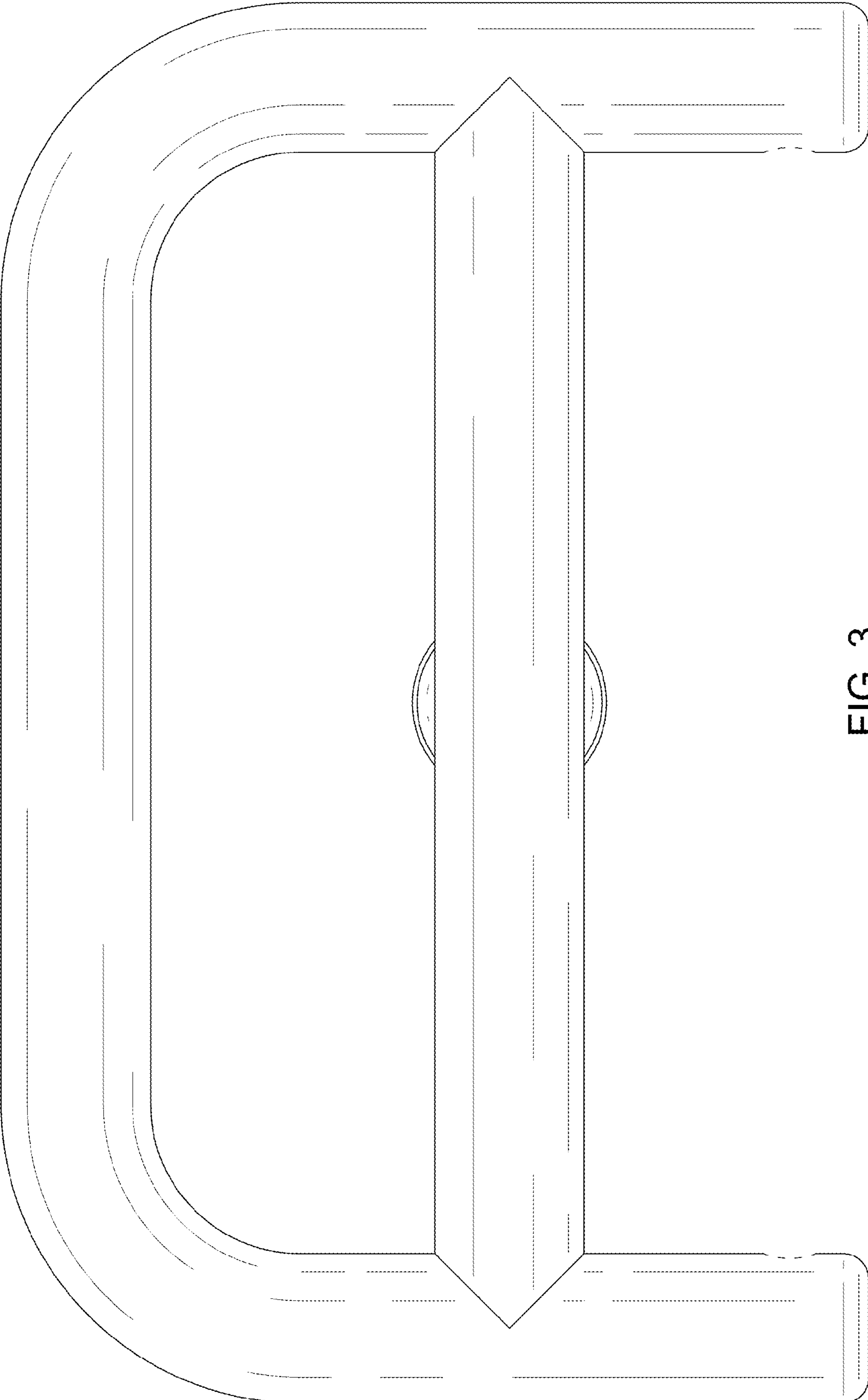


FIG. 3

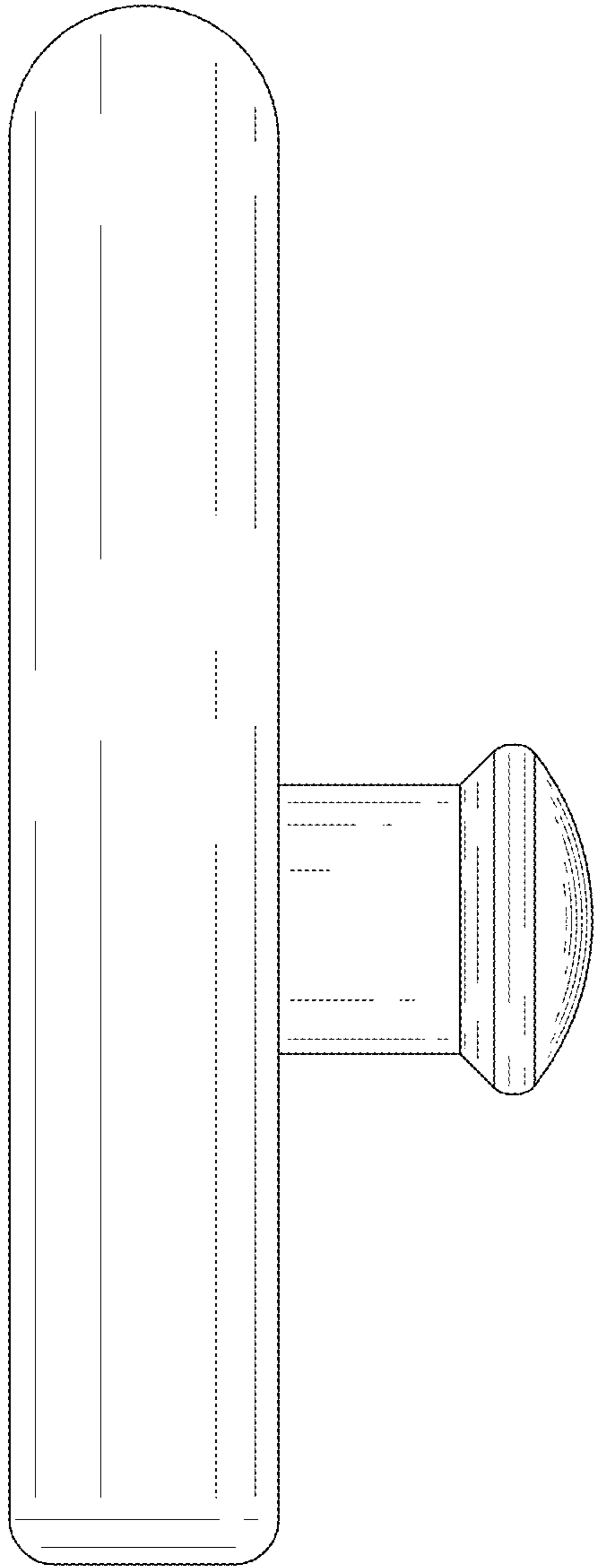


FIG. 4

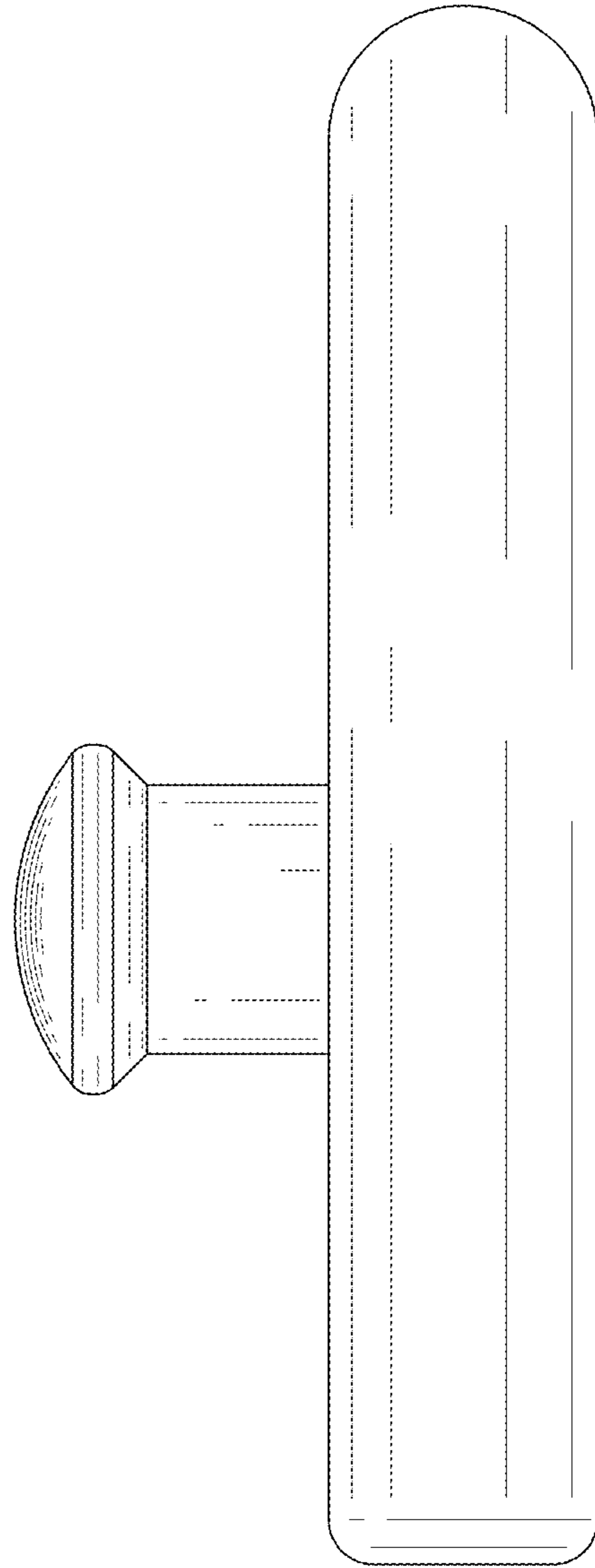


FIG. 5



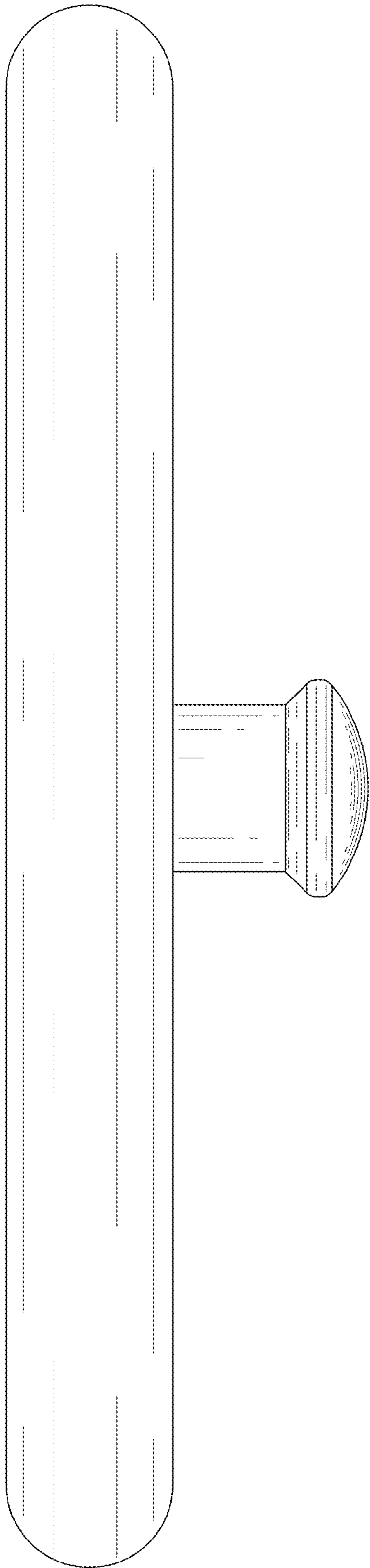


FIG. 6

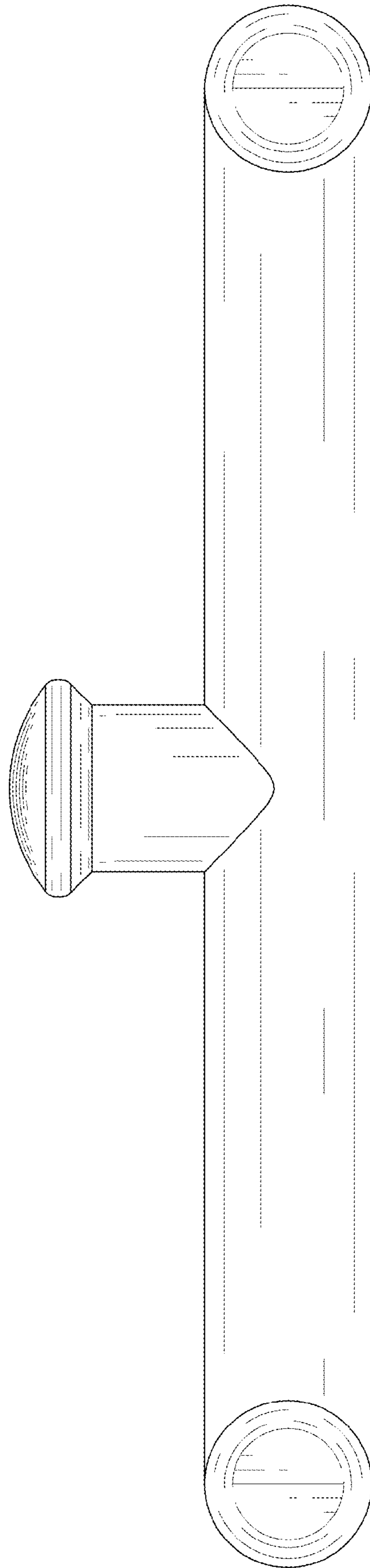


FIG. 7