



US00D980114S

(12) **United States Design Patent** (10) **Patent No.:** **US D980,114 S**
Qu (45) **Date of Patent:** **** Mar. 7, 2023**

(54) **BUCKLE**
(71) Applicant: **Shenzhen Fengtouniao Technology Co., Ltd., Shenzhen (CN)**
(72) Inventor: **Weiwei Qu, Fengcheng (CN)**
(**) Term: **15 Years**
(21) Appl. No.: **29/830,516**

D134,306 S * 11/1942 Lipari D11/231
2,728,966 A * 1/1956 Cantil A44B 11/10
24/196
D527,309 S * 8/2006 Grimm D11/218
D553,363 S * 10/2007 Chen D3/318
D553,364 S * 10/2007 Moon D3/318
D611,873 S * 3/2010 Wolfgang D11/94
D632,608 S * 2/2011 Corrado D2/706
D632,609 S * 2/2011 Corrado D2/706
D632,610 S * 2/2011 Corrado D2/706

(Continued)

(22) Filed: **Mar. 14, 2022**
(51) **LOC (14) Cl.** **02-07**
(52) **U.S. Cl.**
USPC **D11/200**
(58) **Field of Classification Search**
USPC D11/200–241, 3; D14/344; D10/32
CPC A44B 11/00; A44B 11/001; A44B 11/003;
A44B 11/005; A44B 11/006; A44B
11/008; A44B 11/02; A44B 11/04; A44B
11/06; A44B 11/10; A44B 11/12; A44B
11/22; A44B 11/25; A44B 11/2503; A44B
11/2507; A44B 17/00; A44B 17/0041;
A44B 18/00; A44B 18/0003; A44B
18/0007; A44B 18/0019
See application file for complete search history.

FOREIGN PATENT DOCUMENTS

JP D1582309 * 7/2017

OTHER PUBLICATIONS

Craftmemore Rectangle Screw Rings Buckle Strap, available Jun. 21, 2017, online, site visited Oct. 20, 2022. Available online, URL: <https://www.amazon.com/CRAFTMEMORE-Rectangle-Connector-Rectangular-Shackle/dp/B092QKTRN4/> (Year: 2017).*

(Continued)

Primary Examiner — W. A. Teddy Falloway
Assistant Examiner — Sarah J Ault
(74) *Attorney, Agent, or Firm* — Rumit Ranjit Kanakia

(56) **References Cited**

U.S. PATENT DOCUMENTS

685,873 A * 11/1901 Schmiedicke A44B 11/22
24/176
807,013 A * 12/1905 Brown A44B 11/10
24/194
959,088 A * 5/1910 White A44B 11/00
24/316
1,203,280 A * 10/1916 Troop A44B 11/22
24/176
1,303,704 A * 5/1919 Marmorstein A44B 11/10
24/171
1,718,274 A * 6/1929 Carlson A44B 11/02
24/170

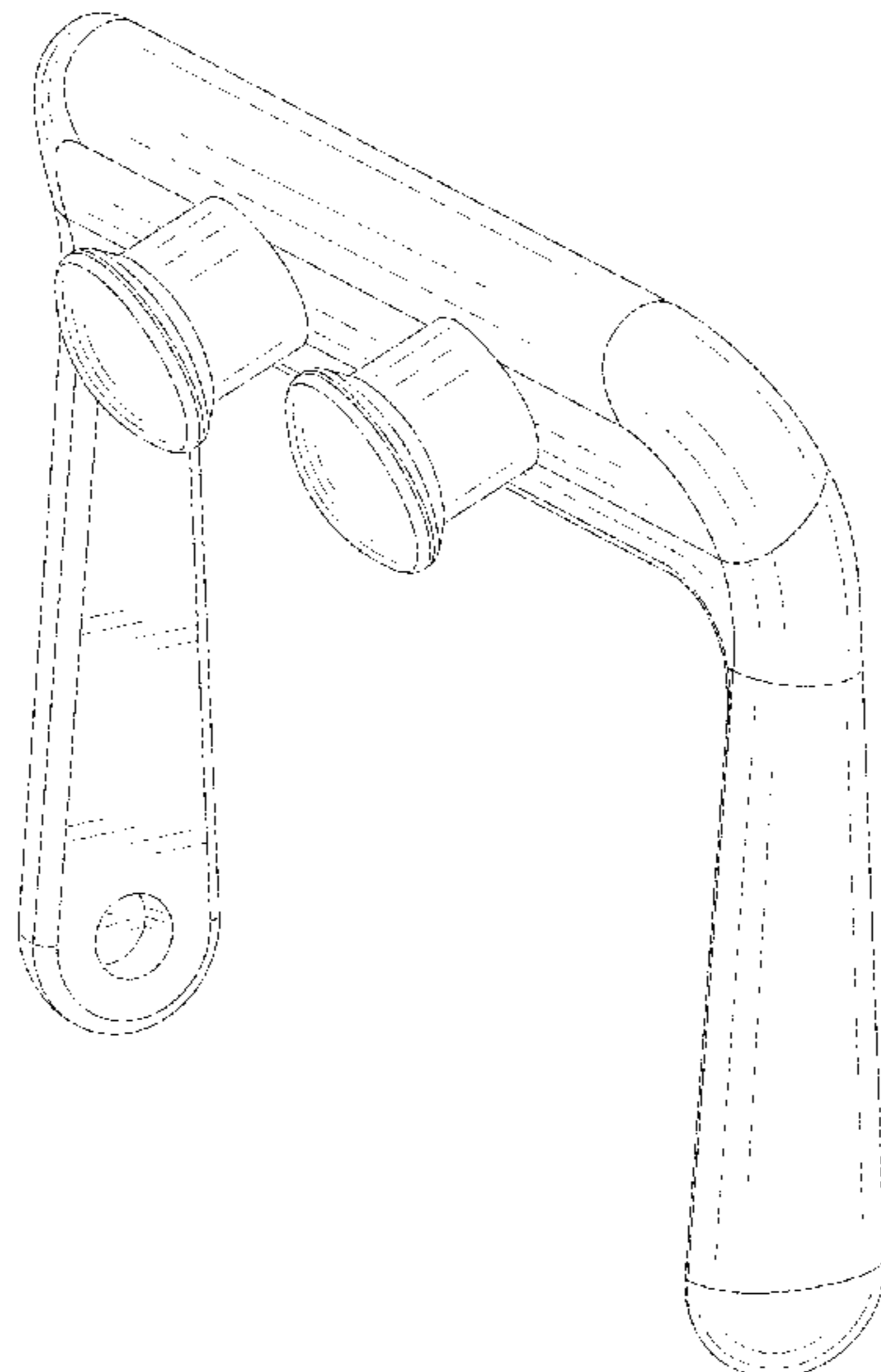
(57) **CLAIM**

The ornamental design for a buckle, as shown and described.

DESCRIPTION

FIG. 1 is a front perspective view of a buckle showing my new design;
FIG. 2 is a front view thereof;
FIG. 3 is a rear view thereof;
FIG. 4 is a left side view thereof;
FIG. 5 is a right side view thereof;
FIG. 6 is a top view thereof; and,
FIG. 7 is a bottom view thereof.

1 Claim, 7 Drawing Sheets



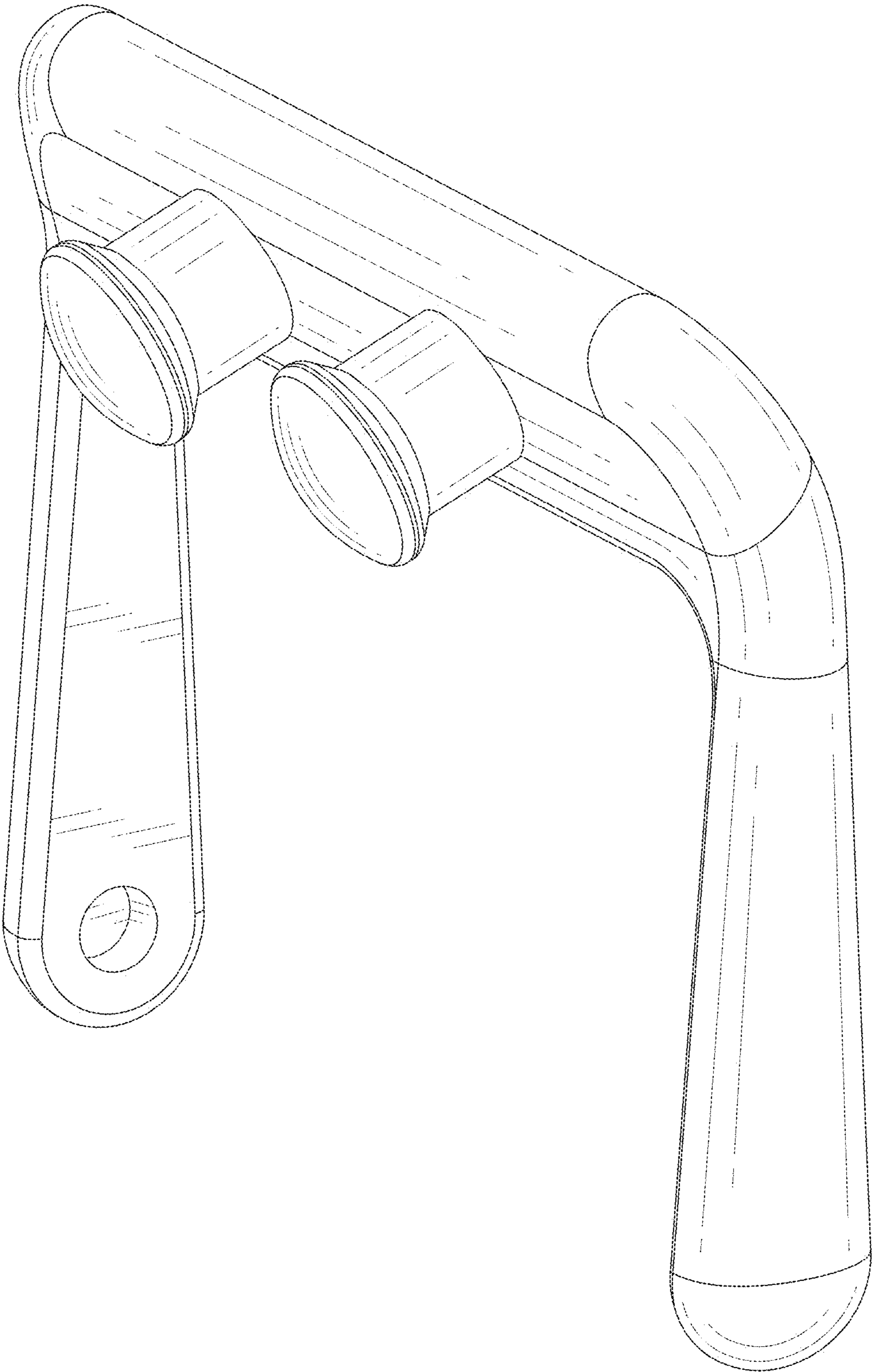


FIG.1

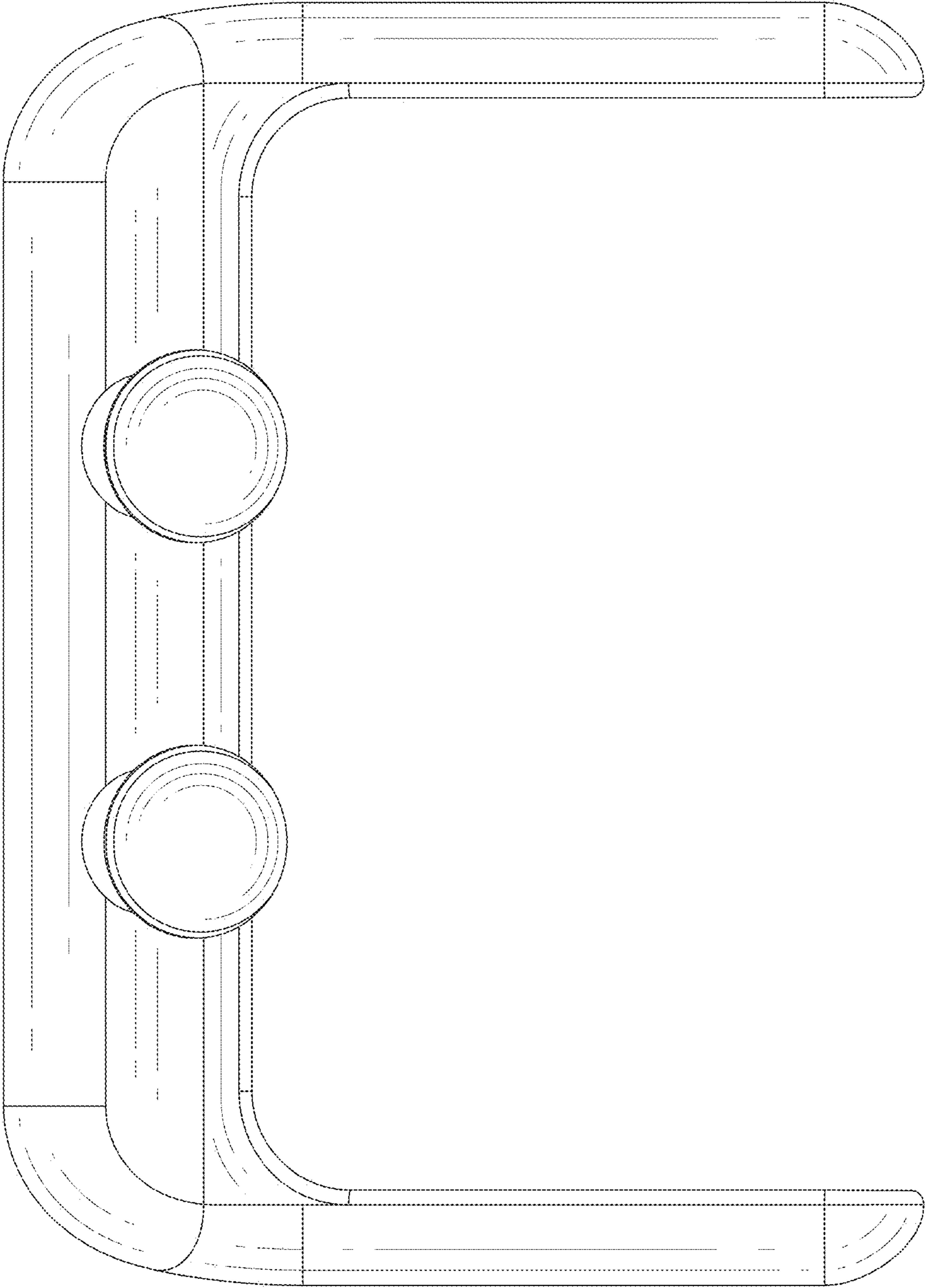


FIG.2

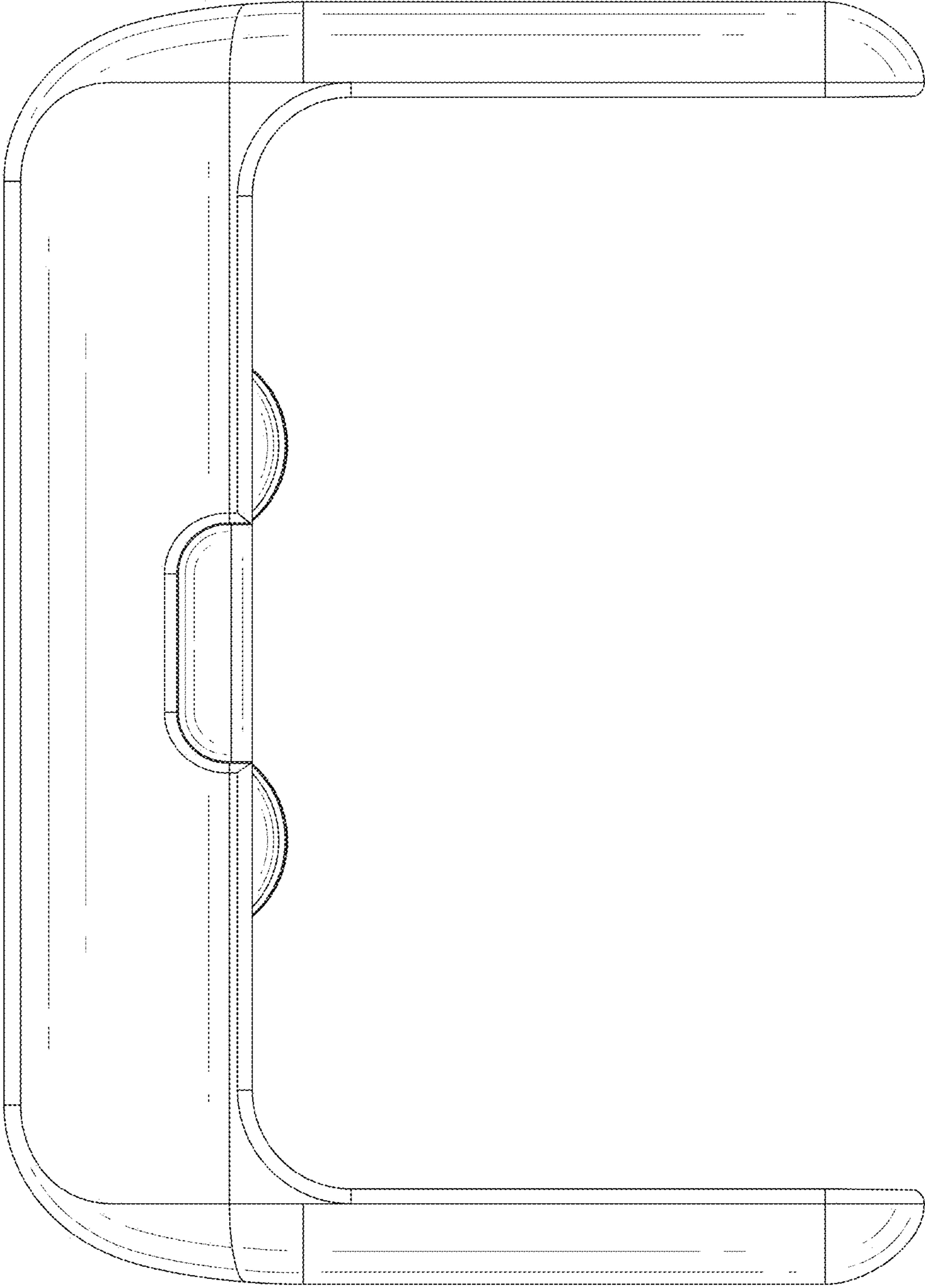


FIG.3

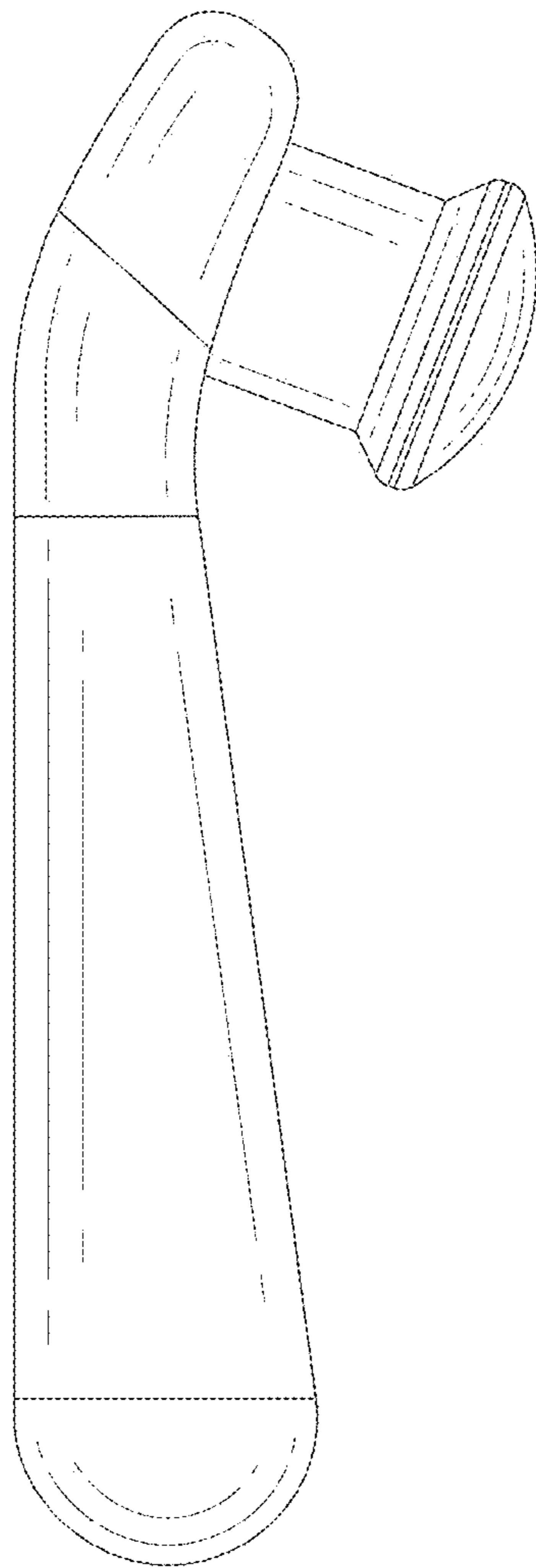


FIG.4

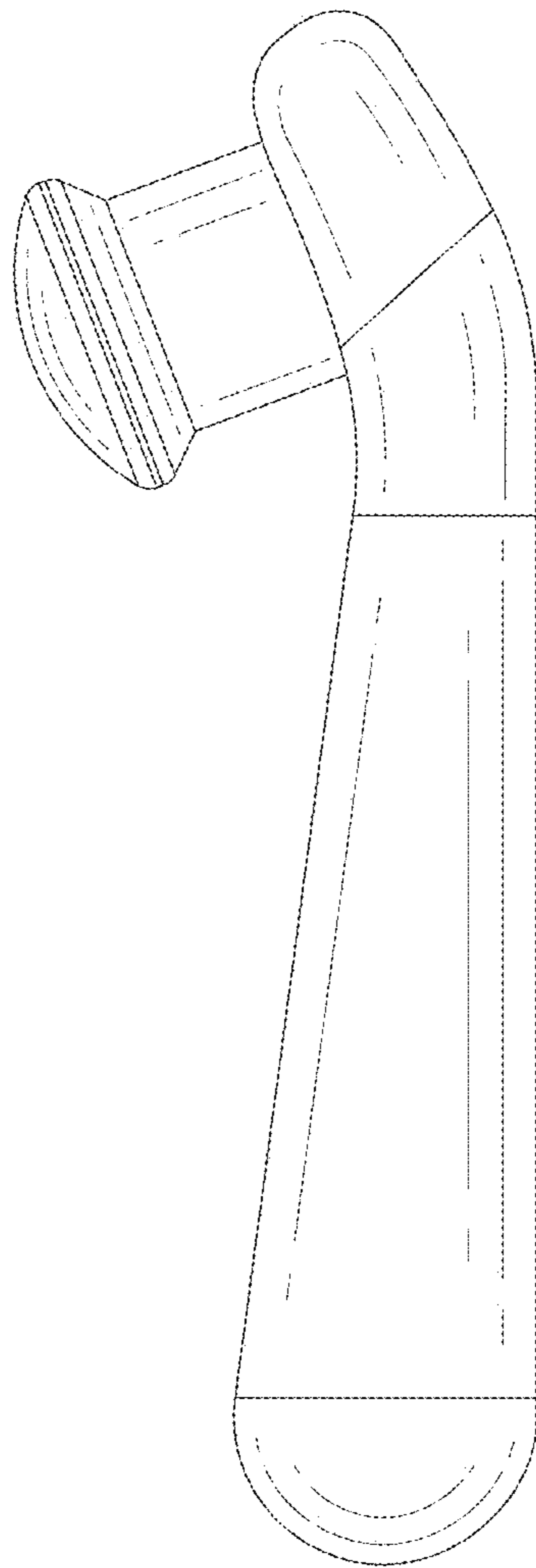


FIG.5

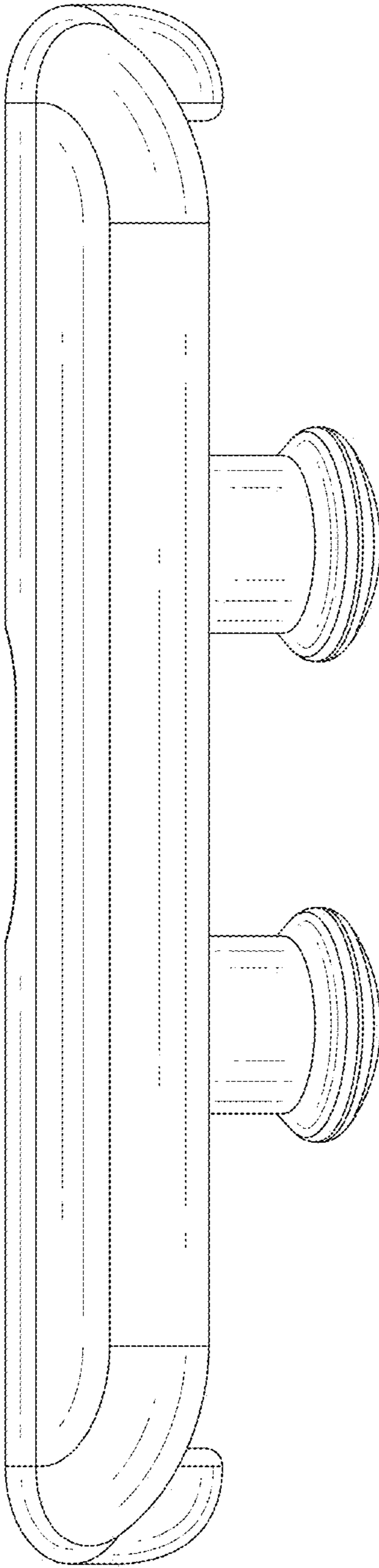


FIG.6

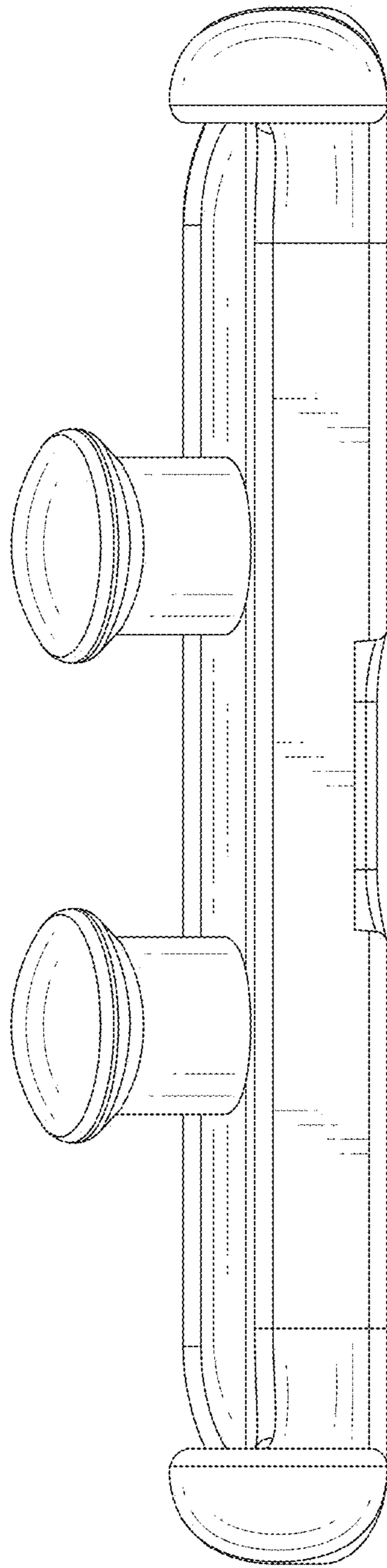


FIG.7