



US00D980113S

(12) **United States Design Patent**  
**Kraska**

(10) **Patent No.:** **US D980,113 S**  
(45) **Date of Patent:** **\*\* Mar. 7, 2023**

(54) **DIVIDER**

(71) Applicant: **InterDesign, Inc.**, Solon, OH (US)

(72) Inventor: **Frank Curtis Kraska**, Concord Township, OH (US)

(73) Assignee: **InterDesign, Inc.**, Solon, OH (US)

(\*\*) Term: **15 Years**

(21) Appl. No.: **29/774,319**

(22) Filed: **Mar. 16, 2021**

**Related U.S. Application Data**

(63) Continuation-in-part of application No. 29/733,929, filed on May 7, 2020.

(51) **LOC (14) Cl.** ..... **11-02**

(52) **U.S. Cl.**  
USPC ..... **D11/164; D3/319**

(58) **Field of Classification Search**

USPC ..... D11/144, 145, 155, 156, 164; D7/550.1, D7/553.1, 553.2, 554.3, 554.4; D6/403,  
(Continued)

(56) **References Cited**

**U.S. PATENT DOCUMENTS**

2,410,292 A \* 10/1946 Kitto ..... F25C 1/246  
249/71  
D198,569 S \* 7/1964 Schwarz ..... F25C 1/246  
D19/34.1

(Continued)

**FOREIGN PATENT DOCUMENTS**

EM 000286190-0006 \* 5/2005

**OTHER PUBLICATIONS**

Velcro(r) Brand Fasteners. Online [website]. Amazon, Oct. 7, 2022 [retrieved on Oct. 6, 2022]. Retrieved from the internet: <https://

www.amazon.com/Velcro-Brand-Fasteners-STA-30002-MEX-Organizer/dp/B07HHKJHKL/ref=sr\_1\_101>. (Year: 2018).\*

*Primary Examiner* — Tracey J Bell

*Assistant Examiner* — Grace Doyle

(74) *Attorney, Agent, or Firm* — Calfee, Halter & Griswold LLP

(57) **CLAIM**

I claim the ornamental design for a divider, as shown and described.

**DESCRIPTION**

FIG. 1 is a front/right/top perspective view of a first embodiment of a divider (a front/left/top view would be a mirror image thereof);

FIG. 2 is a rear/left/bottom perspective view thereof (a rear/right/bottom view would be a mirror image thereof);

FIG. 3 is a front elevational view thereof (a rear elevational view would be a mirror image thereof);

FIG. 4 is a left side elevational view thereof (a right side view would be a mirror image thereof);

FIG. 5 is a top plan view thereof; and

FIG. 6 is a bottom plan view thereof.

FIG. 7 is a front/right/top perspective view of a second embodiment of a divider (a front/left/top view would be a mirror image thereof);

FIG. 8 is a rear/left/bottom perspective view thereof (a rear/right/bottom view would be a mirror image thereof);

FIG. 9 is a front elevational view thereof (a rear elevational view would be a mirror image thereof);

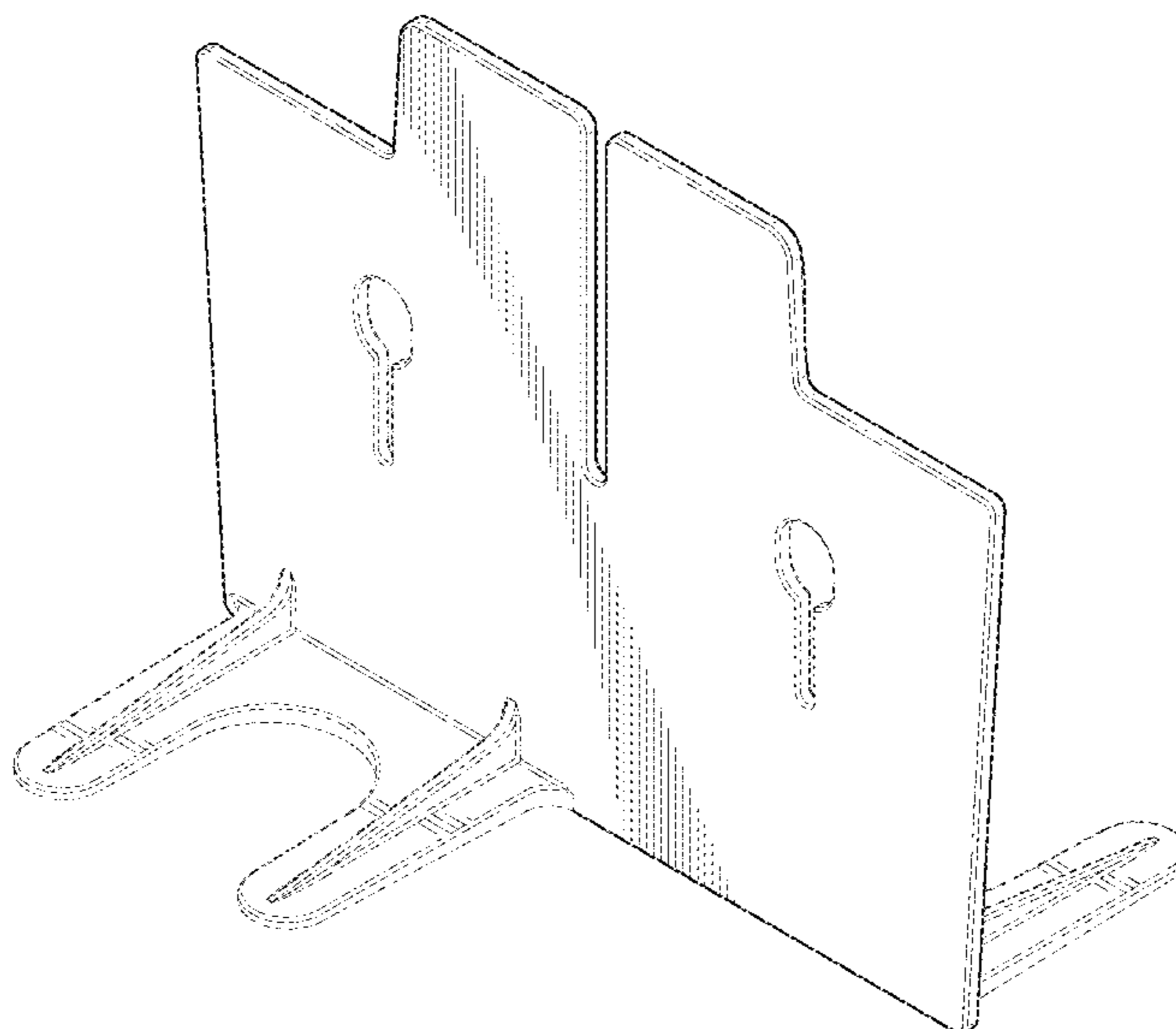
FIG. 10 is a left side elevational view thereof (a right side view would be a mirror image thereof);

FIG. 11 is a top plan view thereof; and,

FIG. 12 is a bottom plan view thereof.

The broken lines show portions of the divider that form no part of the claimed design.

**1 Claim, 12 Drawing Sheets**



(58) **Field of Classification Search**

USPC ..... D6/405, 556, 332, 706; D3/307, 305,  
D3/313, 319; D8/1, 381; D19/34.1, 65,  
D19/75, 86; D9/456; D30/105, 106  
CPC ..... A01G 9/0295; A01G 7/00; A01G 31/02;  
A01G 2009/003; A01G 9/02; A01G  
9/021; A01G 9/022; A01G 9/026; A01G  
9/029; A01G 9/0293; A01G 9/0299;  
A01G 9/033; A01G 9/04; A01G 9/045;  
A01G 9/047; F25C 1/246; A47G 7/02;  
A47G 7/04; A47G 7/041; A47G 7/042;  
A47G 7/044; A47G 7/045; A47G 7/047;  
A47G 7/06; A47G 7/063; A47G 7/08;  
A47G 2007/048

See application file for complete search history.

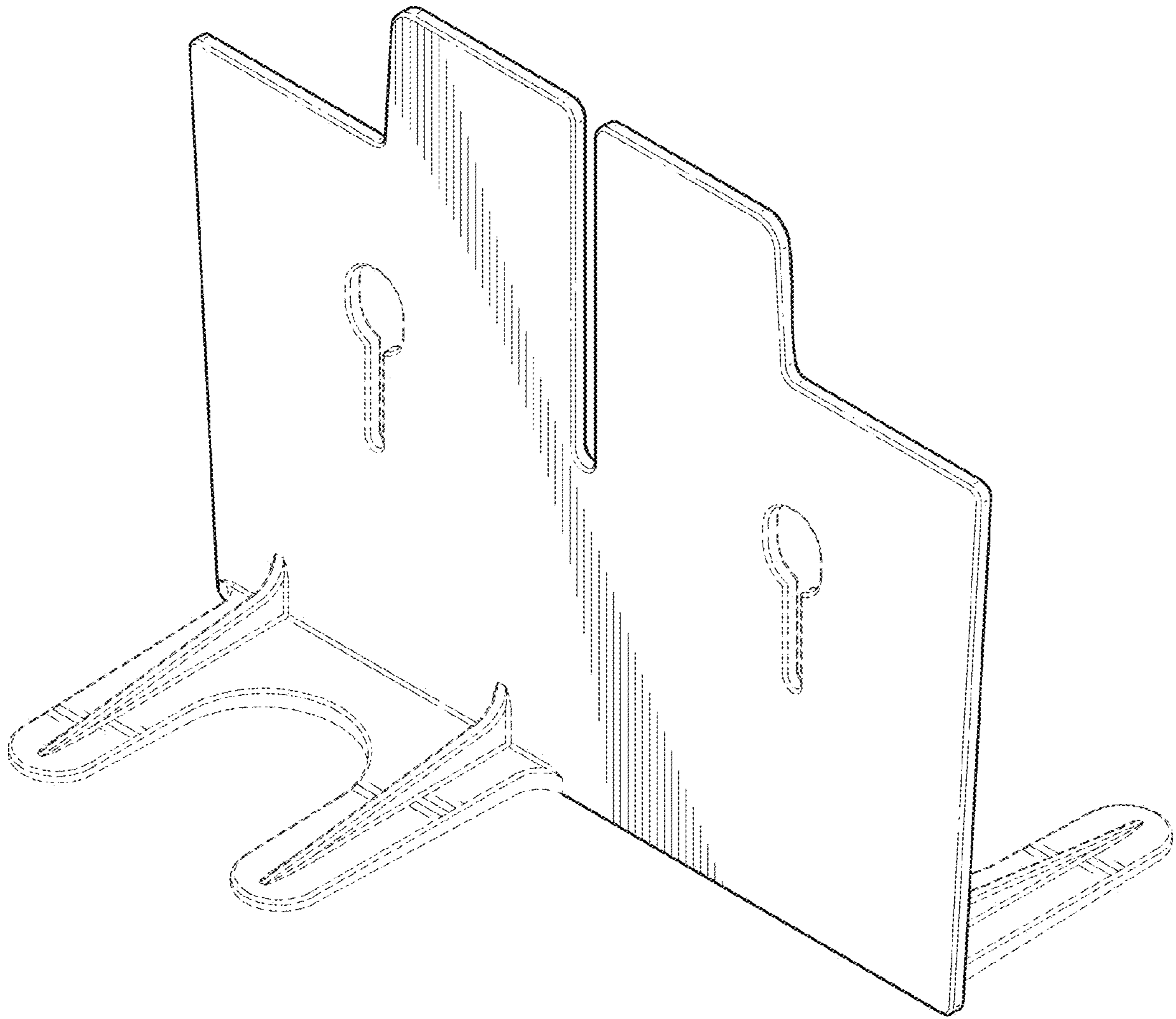
(56) **References Cited**

U.S. PATENT DOCUMENTS

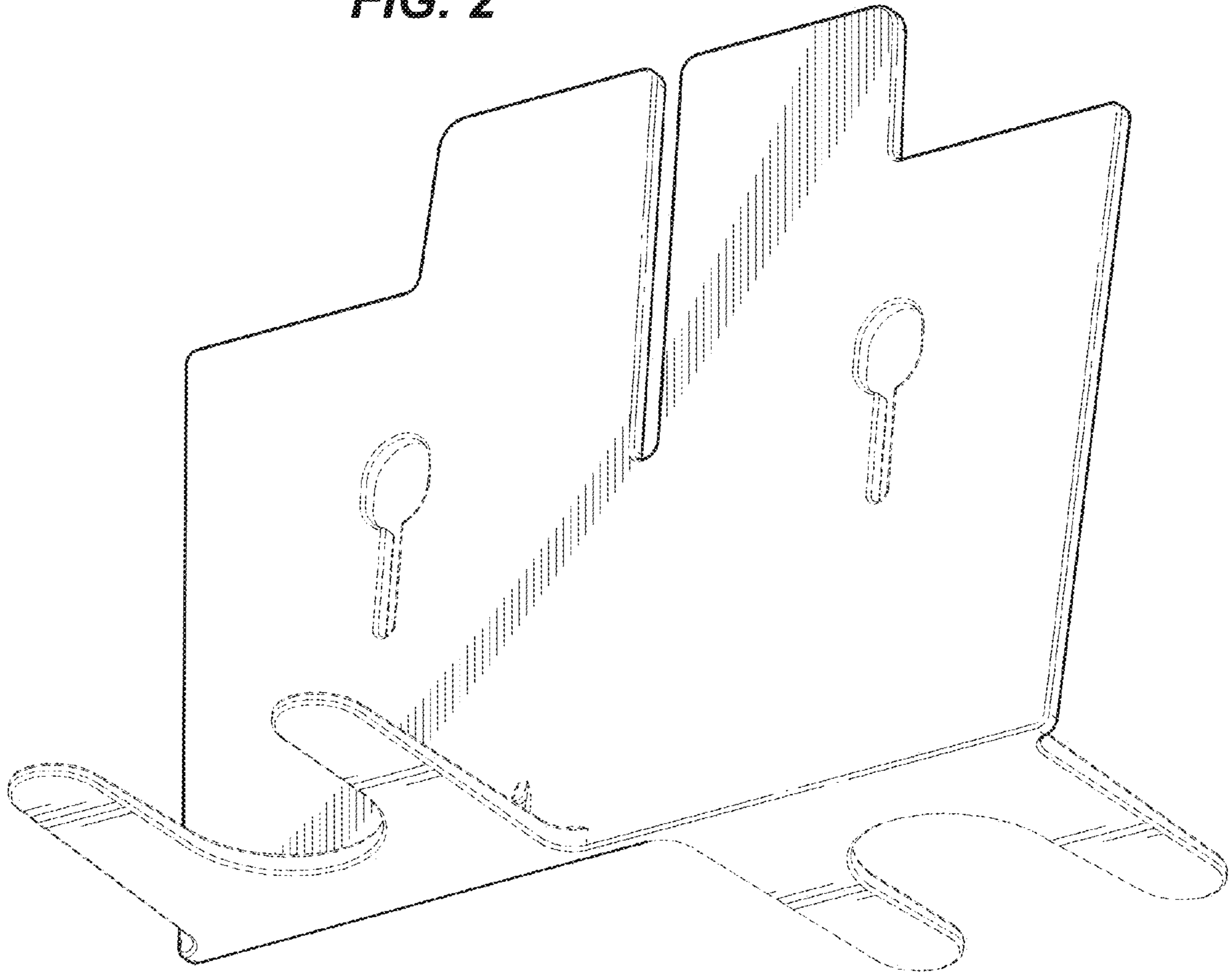
3,319,369 A \* 5/1967 Severson ..... B42F 19/00  
D11/95  
3,806,077 A \* 4/1974 Pietrzak ..... F25C 1/246  
249/71  
D243,426 S \* 2/1977 Joslyn ..... D6/567  
D256,301 S \* 8/1980 Cutts ..... D6/706  
D262,336 S \* 12/1981 Barnstone ..... D19/34.1  
D505,809 S \* 6/2005 Cassidy ..... D3/319  
D542,536 S \* 5/2007 Gialanella ..... B42F 19/00  
D3/315  
D626,404 S \* 11/2010 Koehn ..... D8/373  
D695,875 S \* 12/2013 Siudyla ..... D3/319  
D902,719 S \* 11/2020 Dwork ..... D9/456  
D932,224 S \* 10/2021 Wei ..... D6/706

\* cited by examiner

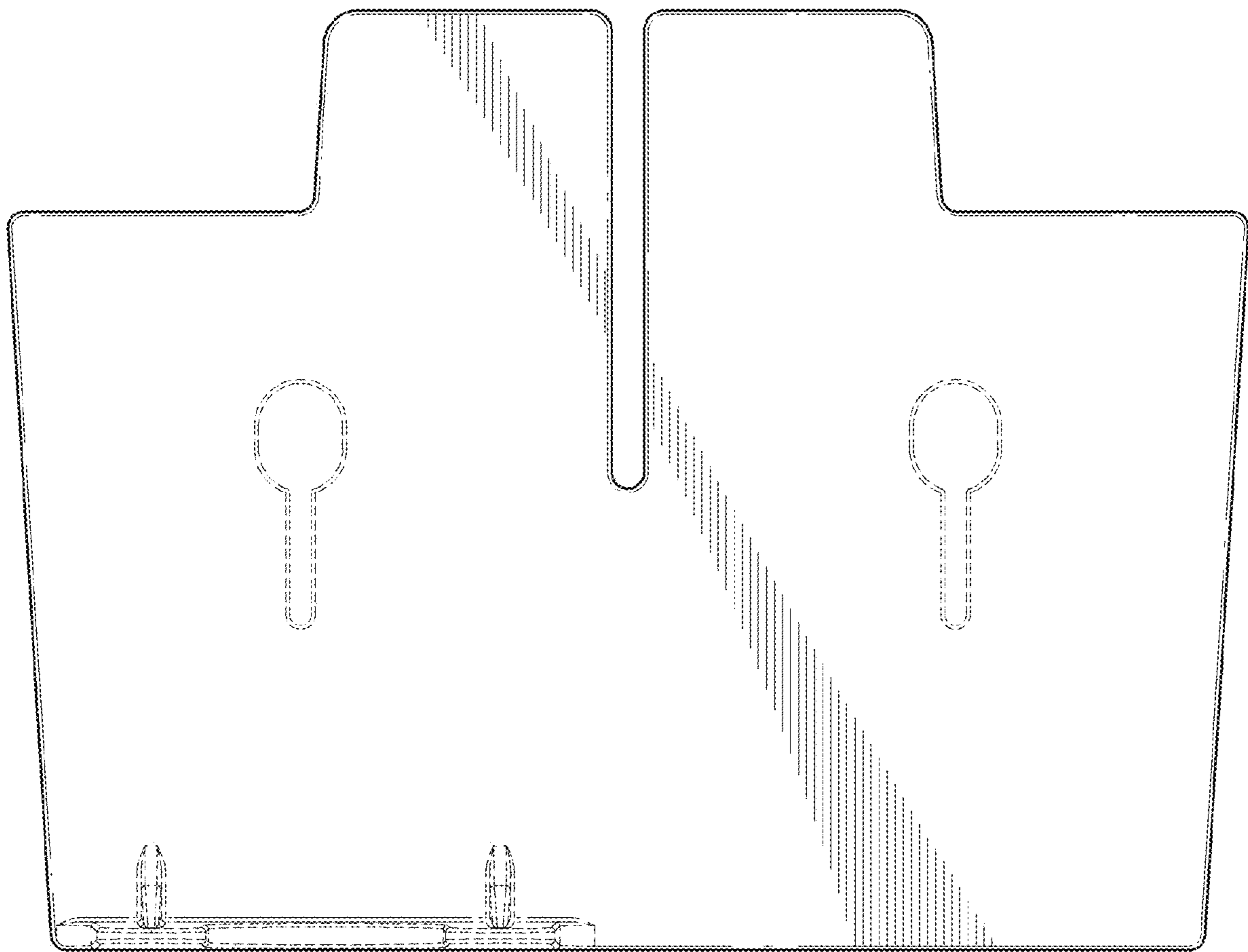
**FIG. 1**



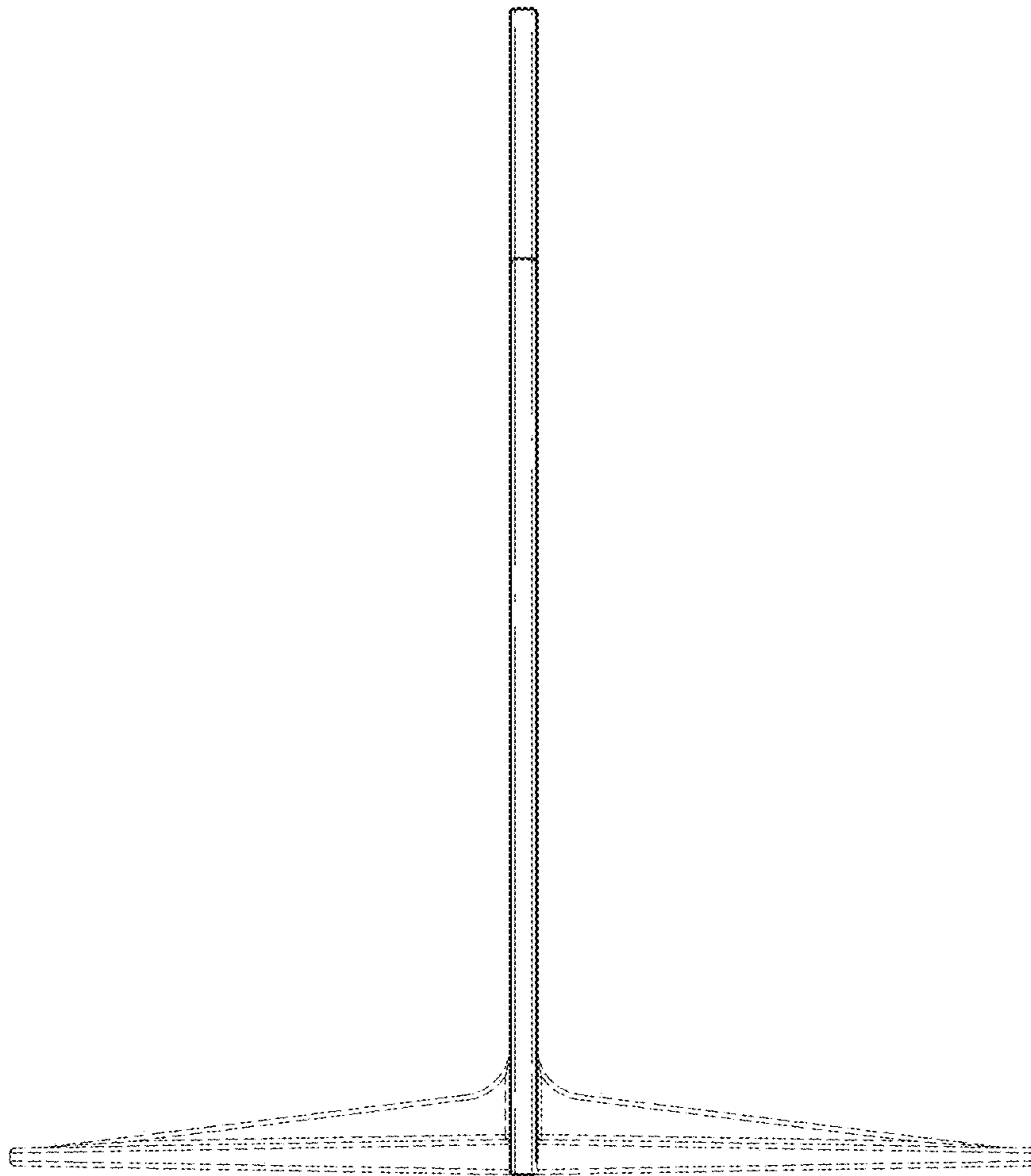
**FIG. 2**



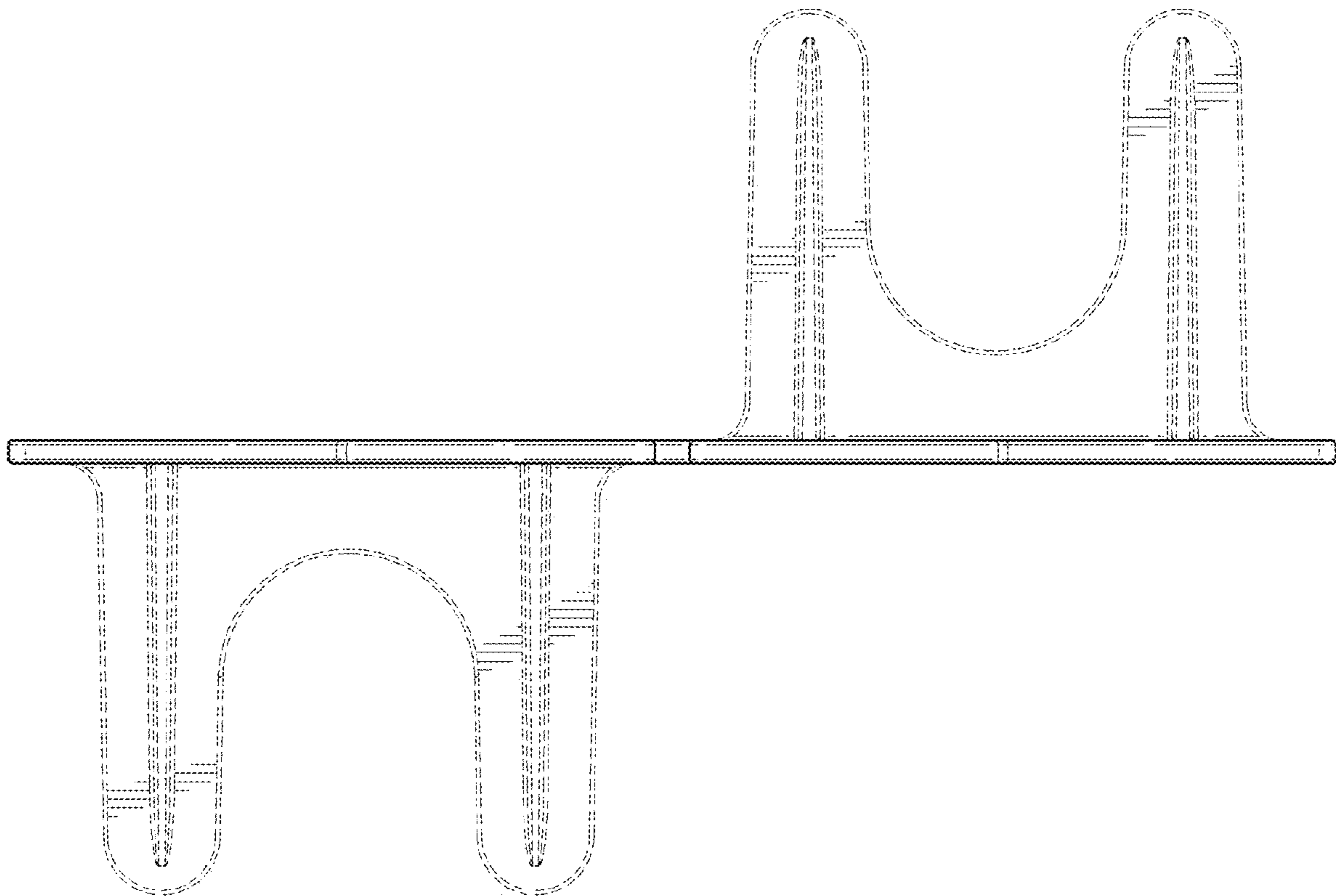
**FIG. 3**



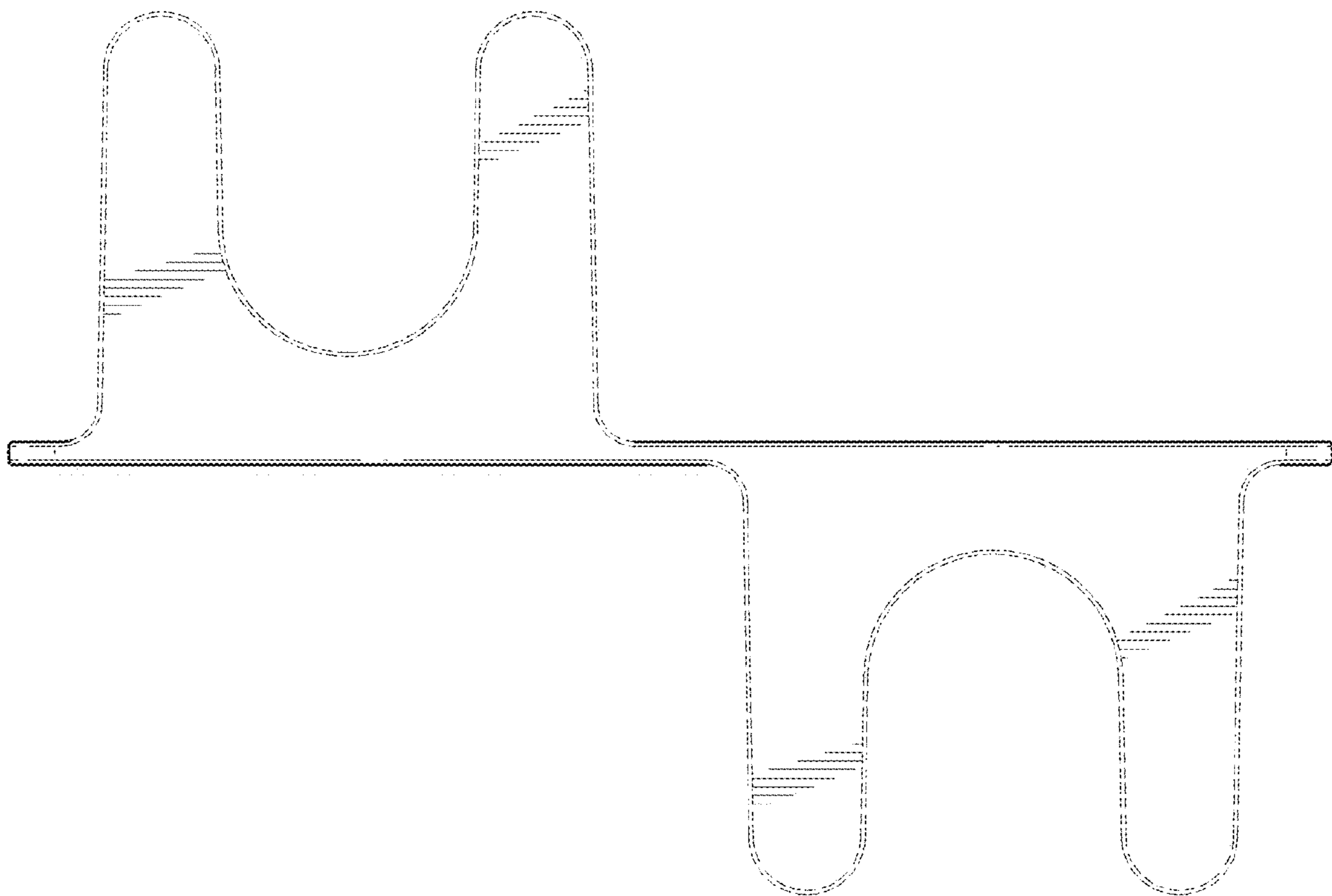
**FIG. 4**



**FIG. 5**

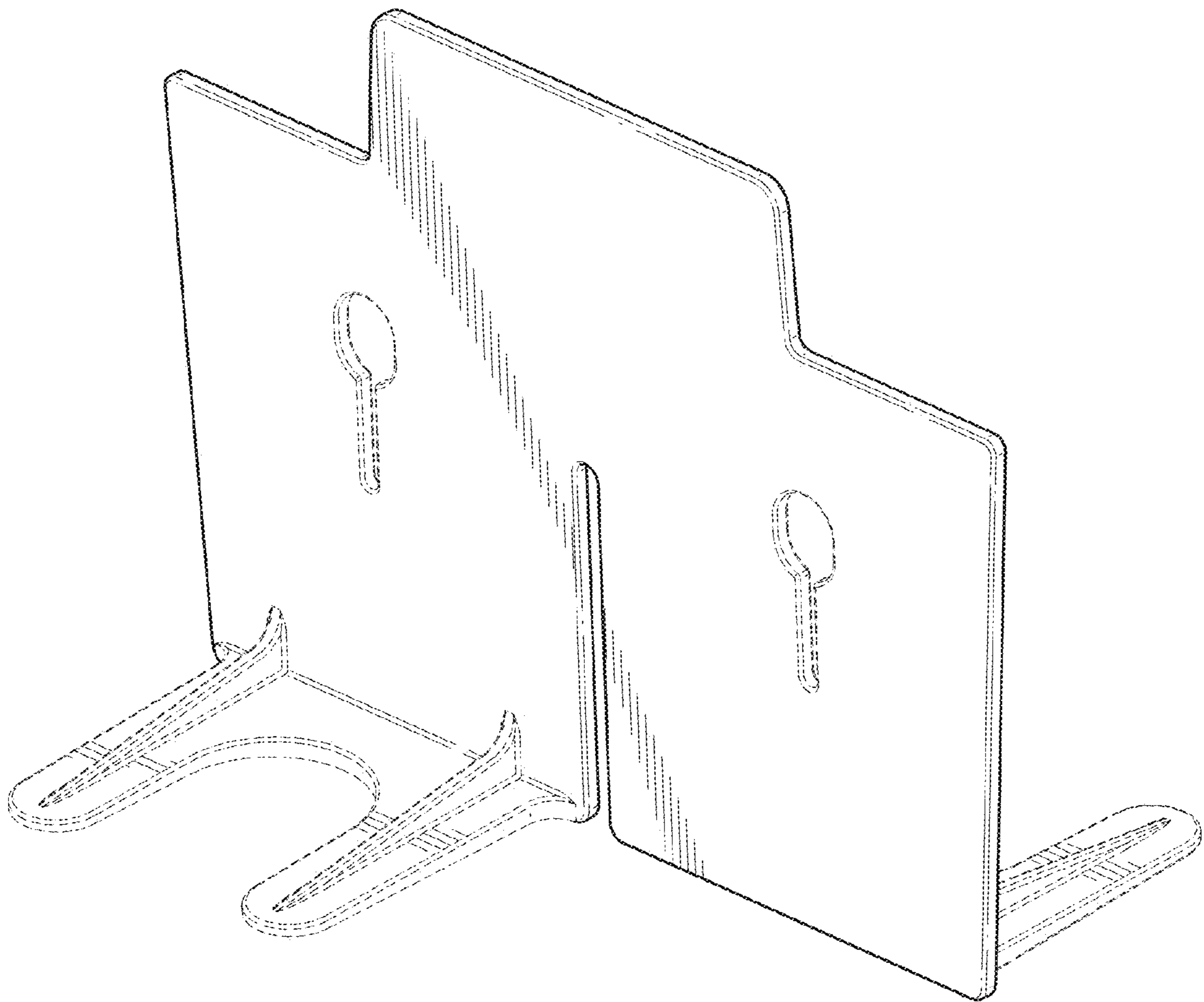


**FIG. 6**

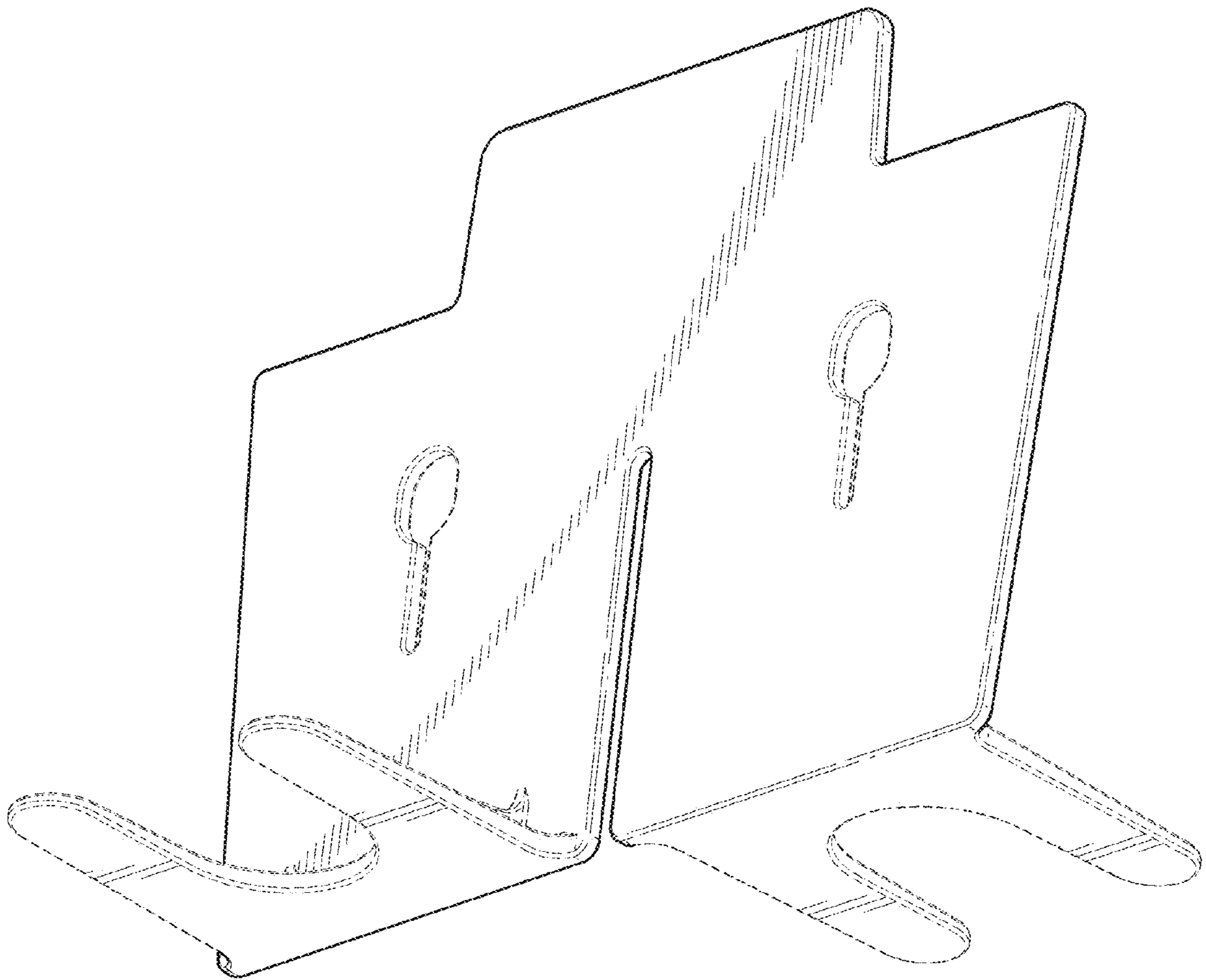




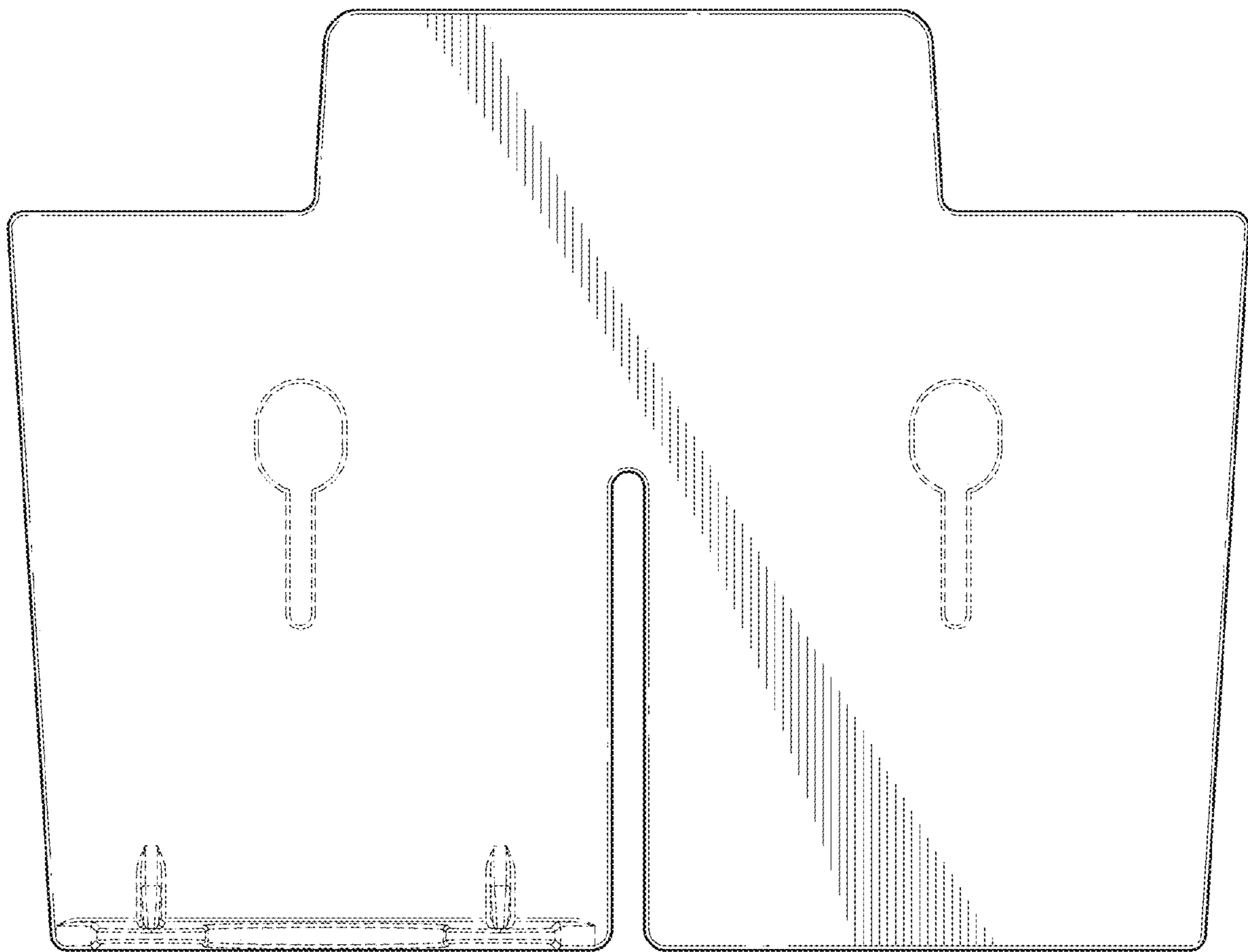
**FIG. 7**



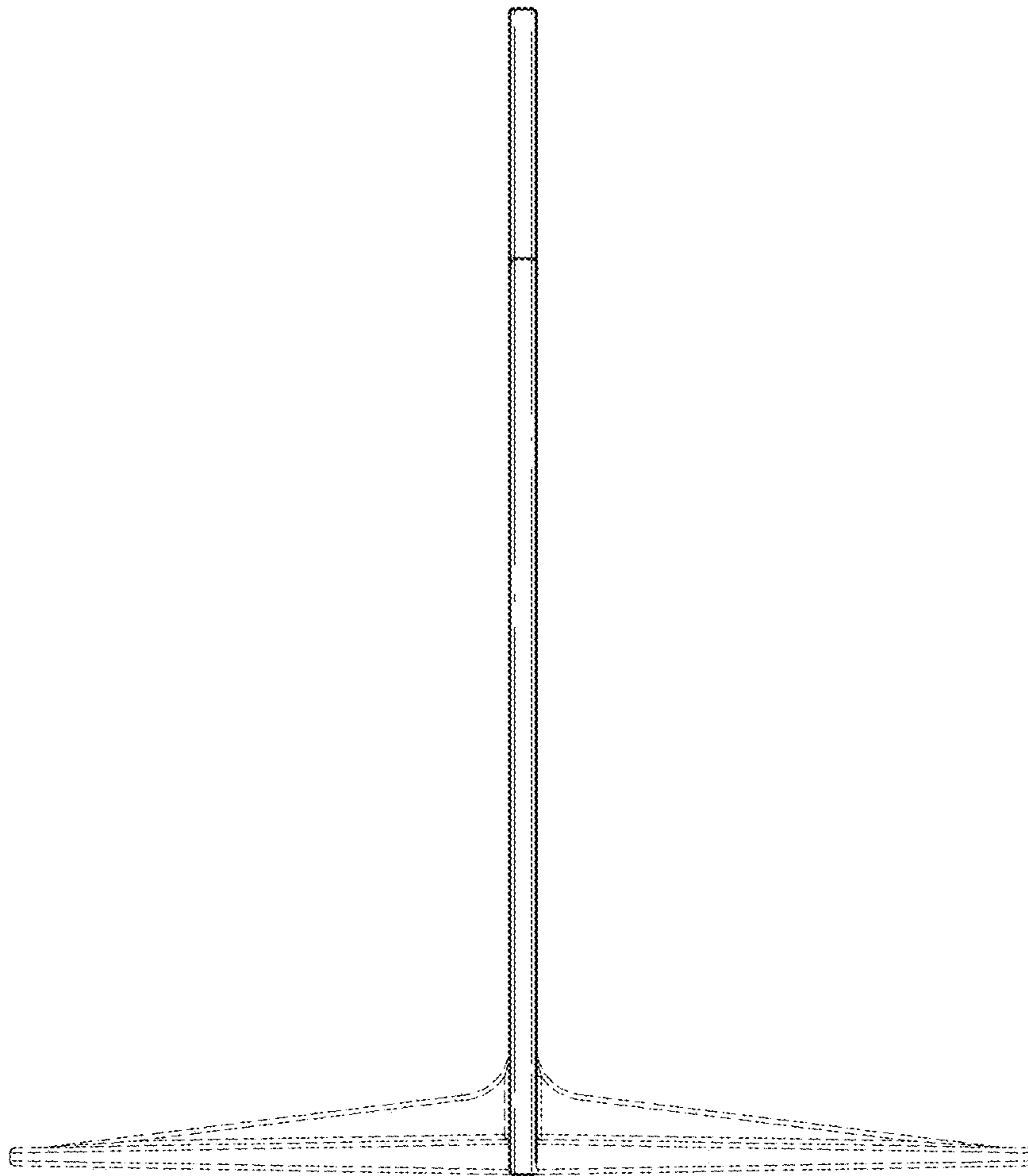
**FIG. 8**



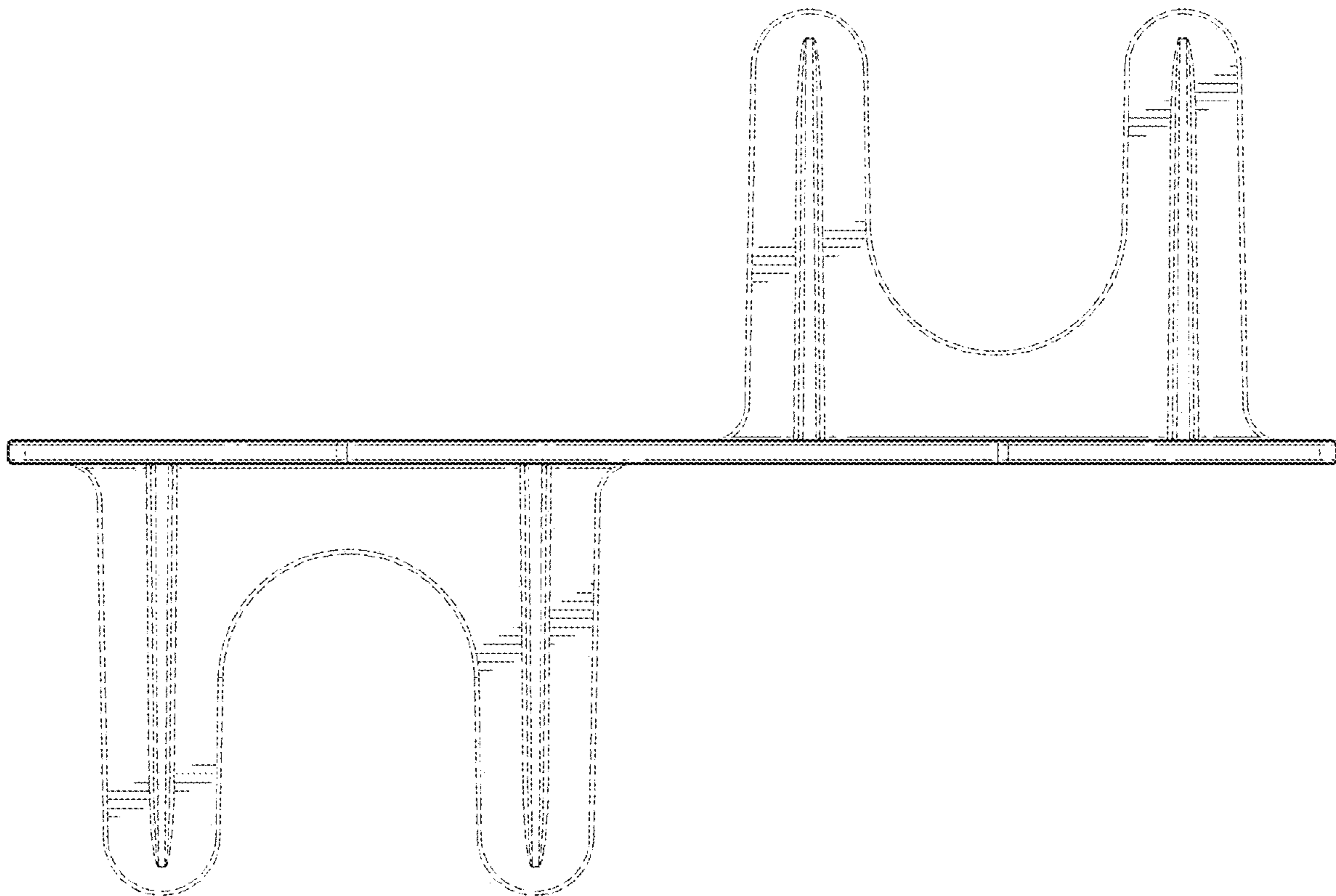
**FIG. 9**



**FIG. 10**



**FIG. 11**



**FIG. 12**

