



US00D980112S

(12) **United States Design Patent** (10) **Patent No.:** **US D980,112 S**
Lei (45) **Date of Patent:** **** Mar. 7, 2023**

(54) **CHRISTMAS DECORATION**
(71) Applicant: **Bolin Lei**, Pu'er (CN)
(72) Inventor: **Shengli Lei**, Guang'an (CN)
(73) Assignee: **Bolin Lei**, Pu'er (CN)

D313,253 S * 12/1990 Yamada D9/455
D446,588 S * 8/2001 Rinehimer F21V 17/007
D26/73
6,474,843 B2 * 11/2002 Shieh F21V 17/007
362/418

(Continued)

(**) Term: **15 Years**
(21) Appl. No.: **29/853,592**
(22) Filed: **Sep. 16, 2022**

FOREIGN PATENT DOCUMENTS

EM 001661877-0001 * 3/2010
EM 001982158-0003 * 2/2012
GB 9001982158-0001 * 1/2012

(30) **Foreign Application Priority Data**

Aug. 19, 2022 (CN) 202230544588.2

OTHER PUBLICATIONS

Bycocby Christmas Decoration, published on (Nov. 10, 2021) on amazon.com, retrieved from internet (Feb. 1, 2022). <URL: https://www.amazon.ca/Christmas-Inflatables-Outdoor-Decorations-Inflatable/dp/B09LH296BG/ref=sr_1_27> (Year: 2021).*

(Continued)

(51) **LOC (14) Cl.** **11-05**
(52) **U.S. Cl.**
USPC **D11/121**
(58) **Field of Classification Search**
USPC D3/257, 293; D11/117, 121, 124-125,
D11/127, 130-134
CPC A47G 33/08; A47G 33/10
See application file for complete search history.

Primary Examiner — Joseph Kukella
Assistant Examiner — Heather Ann Laaveg Wencil
(74) *Attorney, Agent, or Firm* — Georgi Korobanov

(57) **CLAIM**

The ornamental design for a Christmas decoration, as shown and described.

DESCRIPTION

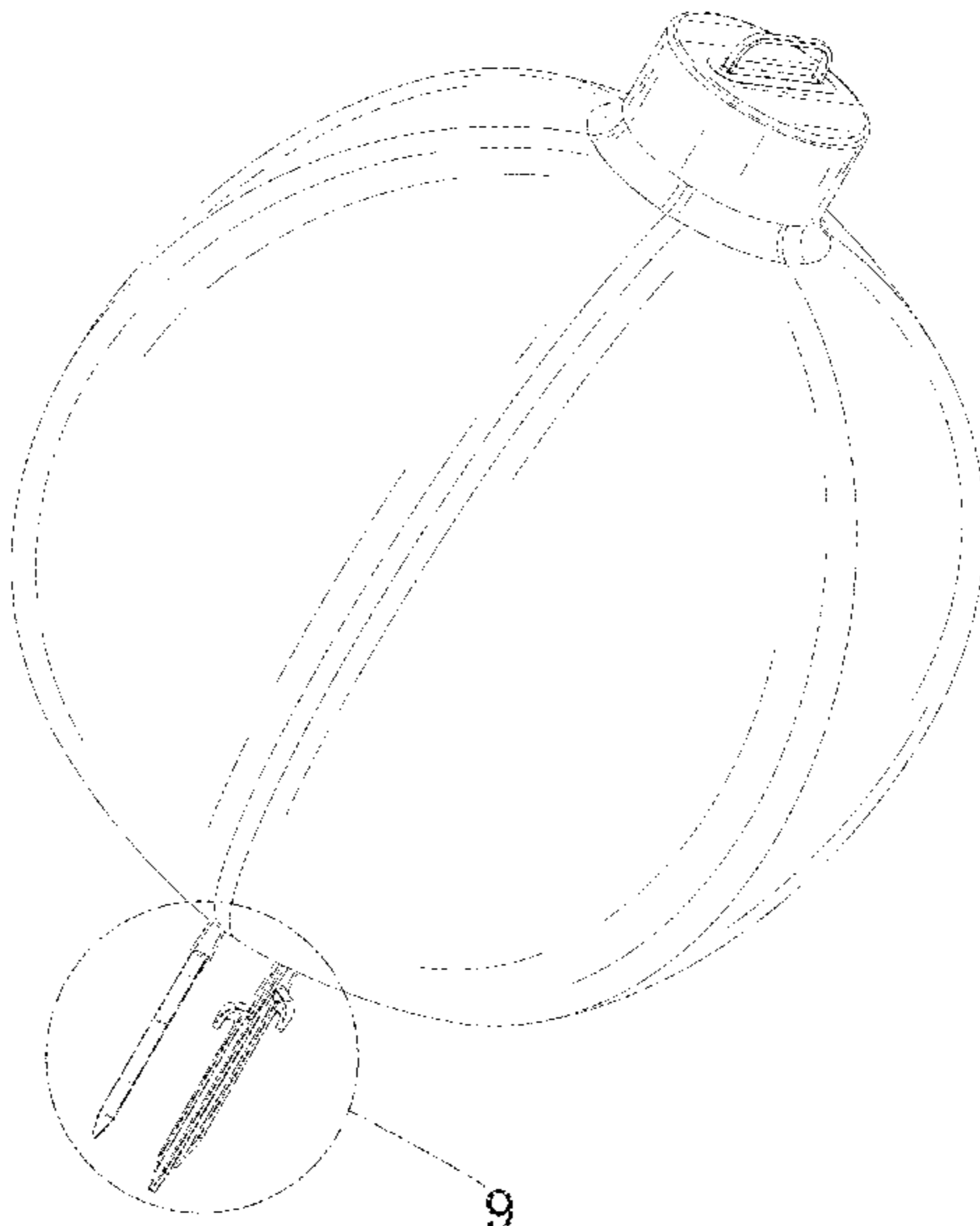
(56) **References Cited**

U.S. PATENT DOCUMENTS

1,458,672 A * 6/1923 Witmer A63B 41/08
473/597
1,493,260 A * 5/1924 Grimm A47G 33/08
428/9
D208,013 S * 6/1967 Carr-Harris A47G 33/10
D21/840
3,635,783 A * 1/1972 Rimmler A47G 33/105
428/11
4,452,836 A * 6/1984 Daniel, Jr. A47G 33/10
362/396
D292,060 S * 9/1987 Kerber A47G 33/08
D21/840

FIG. 1 is a front, right and top perspective view of a Christmas decoration, showing my new design;
FIG. 2 is a rear, left and bottom perspective view thereof;
FIG. 3 is a front view thereof;
FIG. 4 is a rear view thereof;
FIG. 5 is a left side view thereof;
FIG. 6 is a right side view thereof;
FIG. 7 is a top plan view thereof;
FIG. 8 is a bottom plan view thereof; and,
FIG. 9 is an enlarged view of portion 9 shown in FIG. 1. The dot-dash broken lines depict the boundaries of the enlargements that form no part of the claimed design.

1 Claim, 9 Drawing Sheets



(56)

References Cited

U.S. PATENT DOCUMENTS

6,512,460 B1 * 1/2003 Prechel G08B 7/02
340/629
D582,732 S * 12/2008 Cox D8/1
D604,664 S 11/2009 Mollaert et al.
D659,200 S * 5/2012 Wicken D21/440
D670,596 S 11/2012 Ishtewi
2011/0265375 A1 * 11/2011 Piccolomini A01G 3/08
47/45

OTHER PUBLICATIONS

PVC Inflatable Christmas Ball, published on (Aug. 15, 2022) on you-buy.ca, retrieved from internet Dec. 1, 2022. <URL: <https://www.you-buy.ca/en/product/79RPA20OG-2-pcs>> (Year: 2022).*

Merry Christmas Green Ball with Stakes, published on (Oct. 15, 2022) on tineye.com, retrieved from internet (Dec. 2, 2022). <URL: <https://tineye.com/search/4e9988548964010f33e36e282e5fa7a41ba9124c>> (Year: 2022).*

New Halloween Pumpkin, published on (Aug. 10, 2022) on amazon.com, retrieved from internet (Dec. 2, 2022). <URL: https://www.amazon.com/2022-Halloween-Pumpkins-Inflatable-Decorated/dp/B0B96T8XRG/ref=sr_1_3> (Year: 2022).*

* cited by examiner

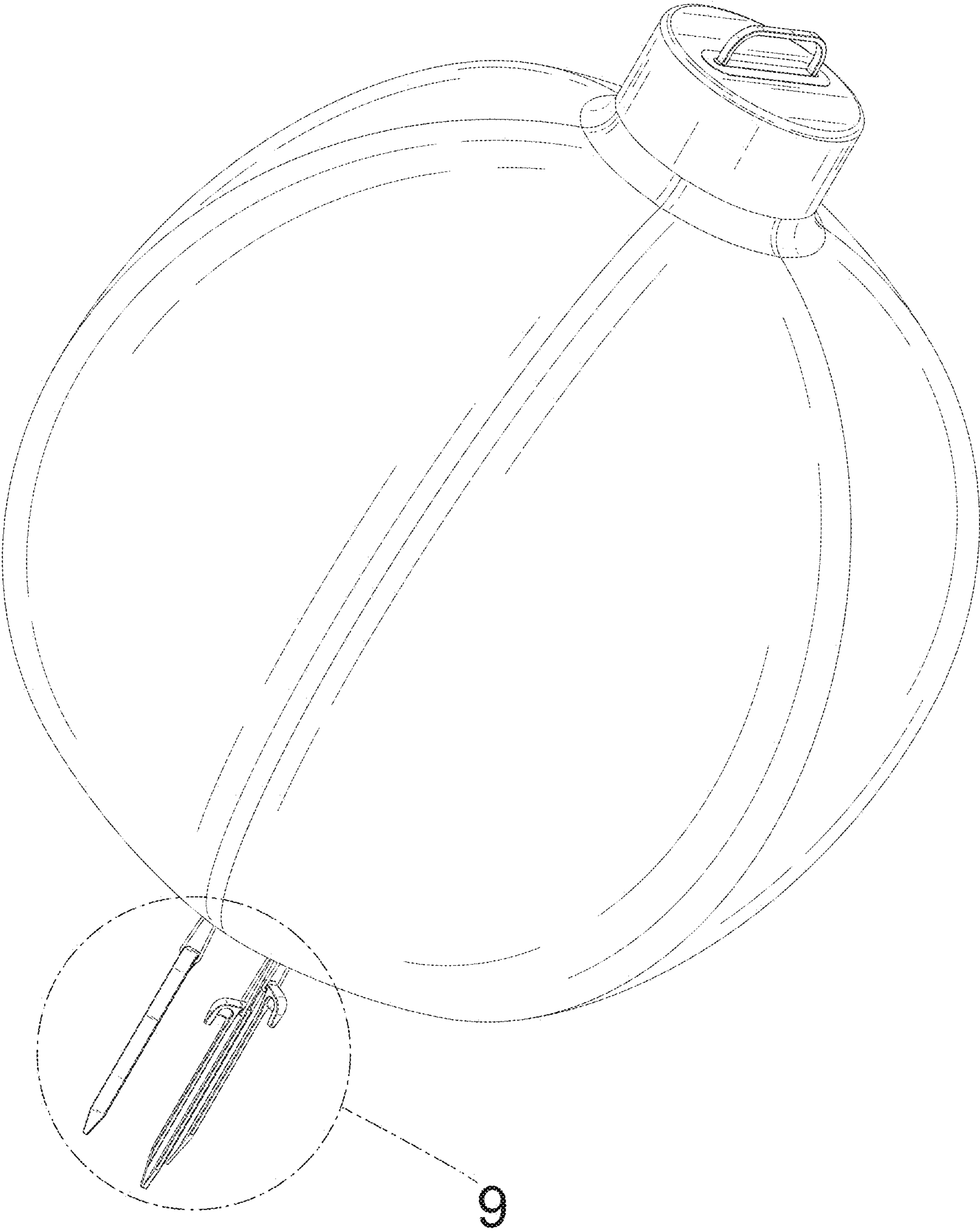


FIG. 1

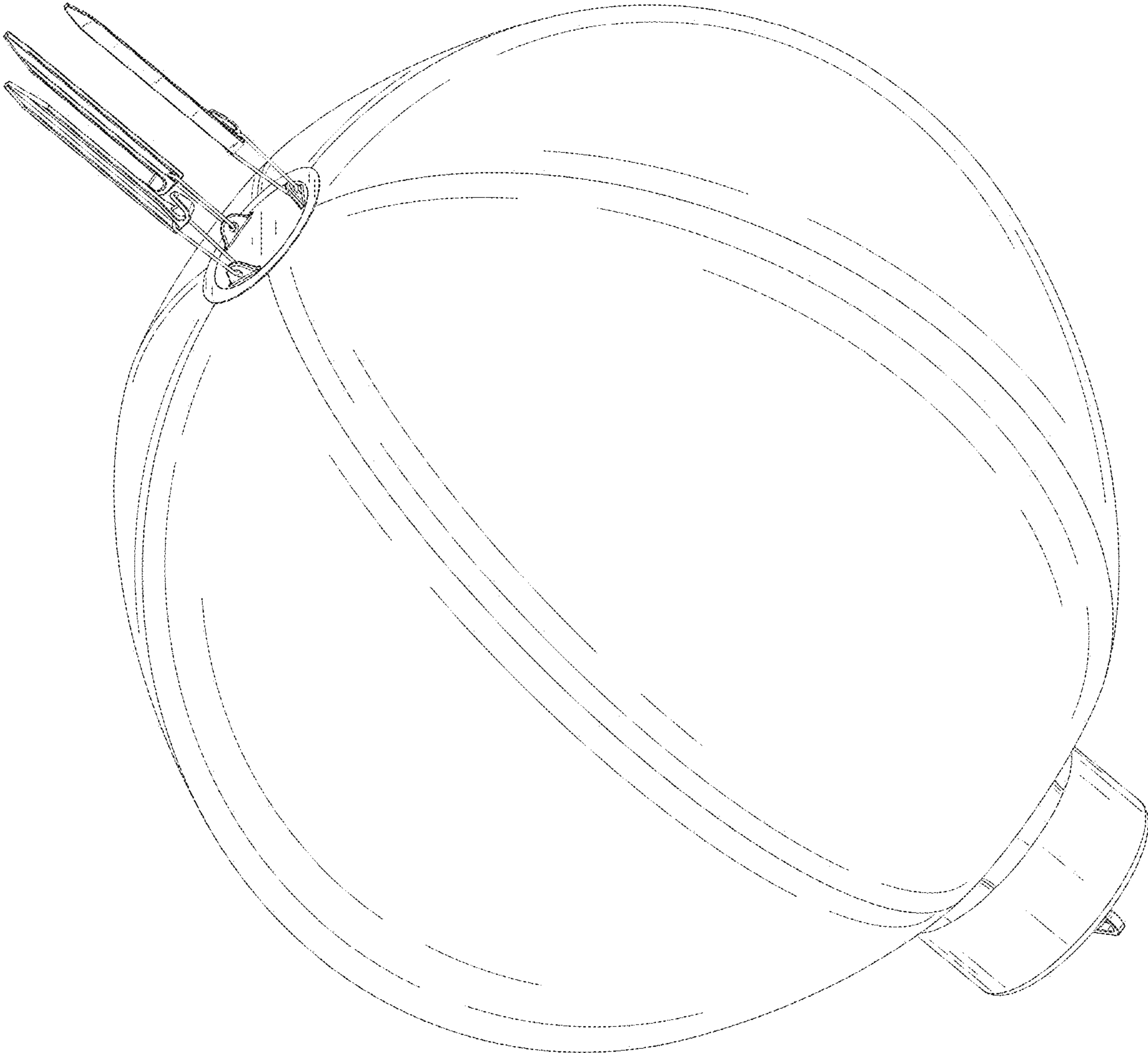


FIG. 2

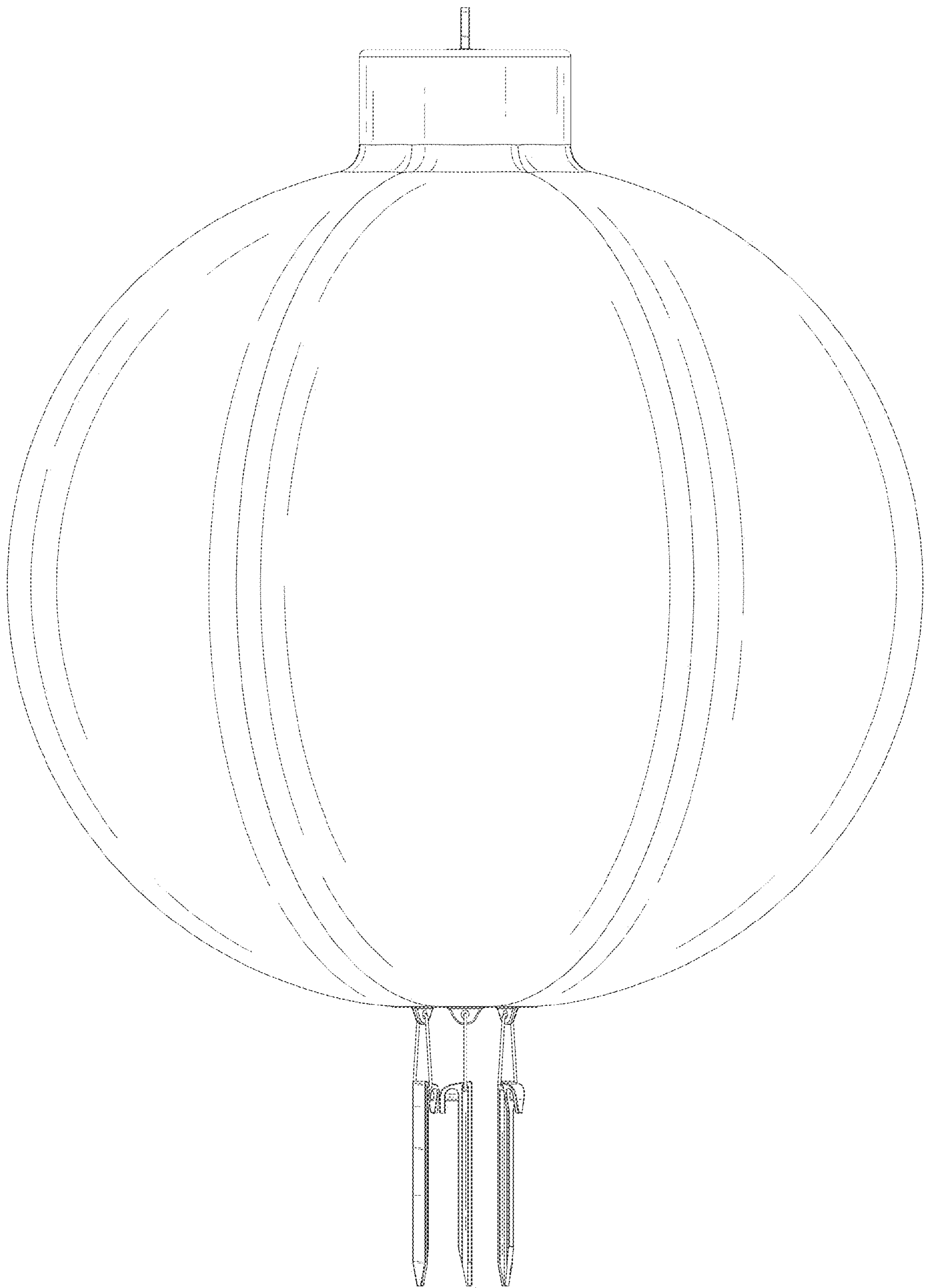


FIG. 3

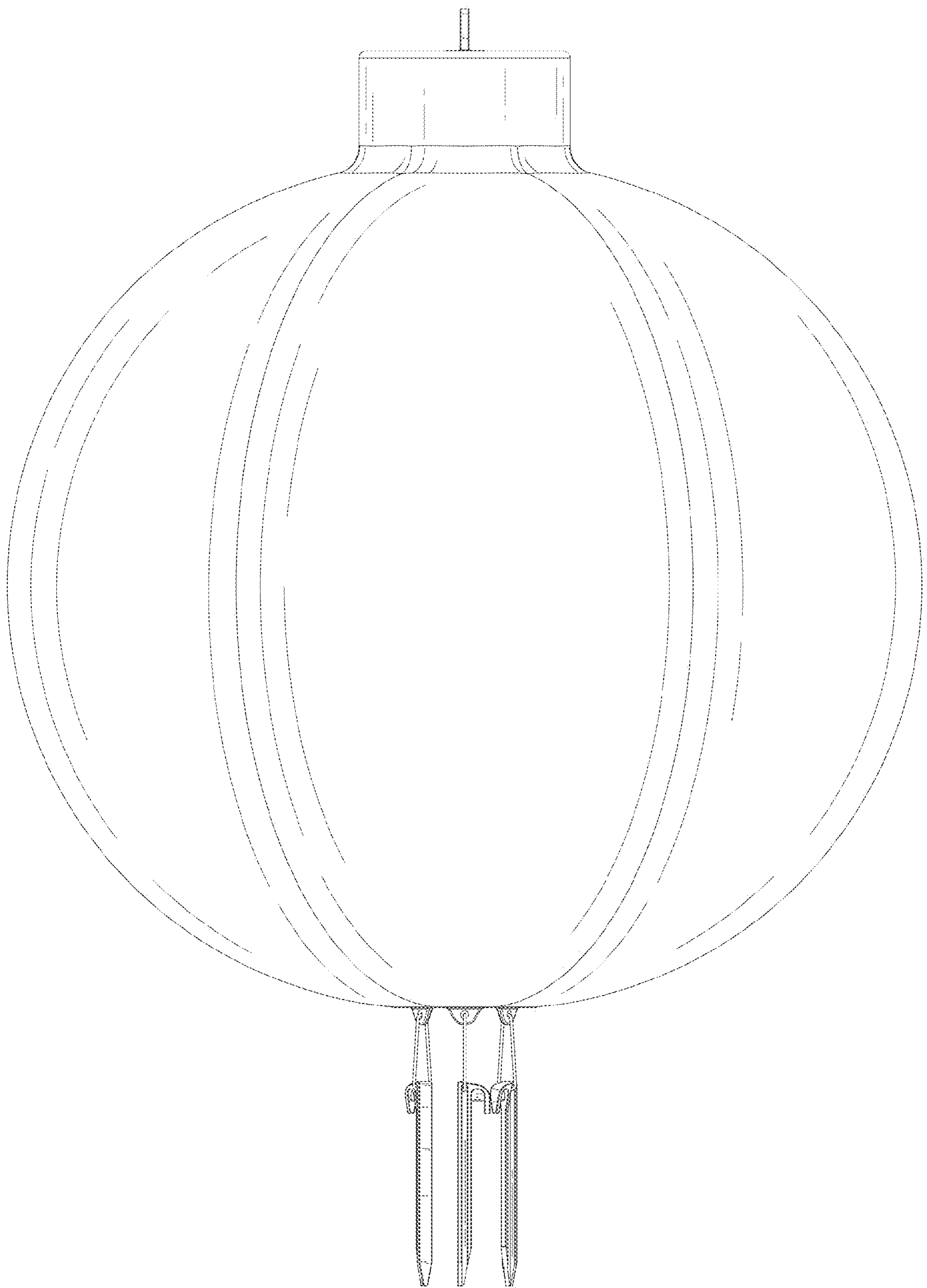


FIG. 4

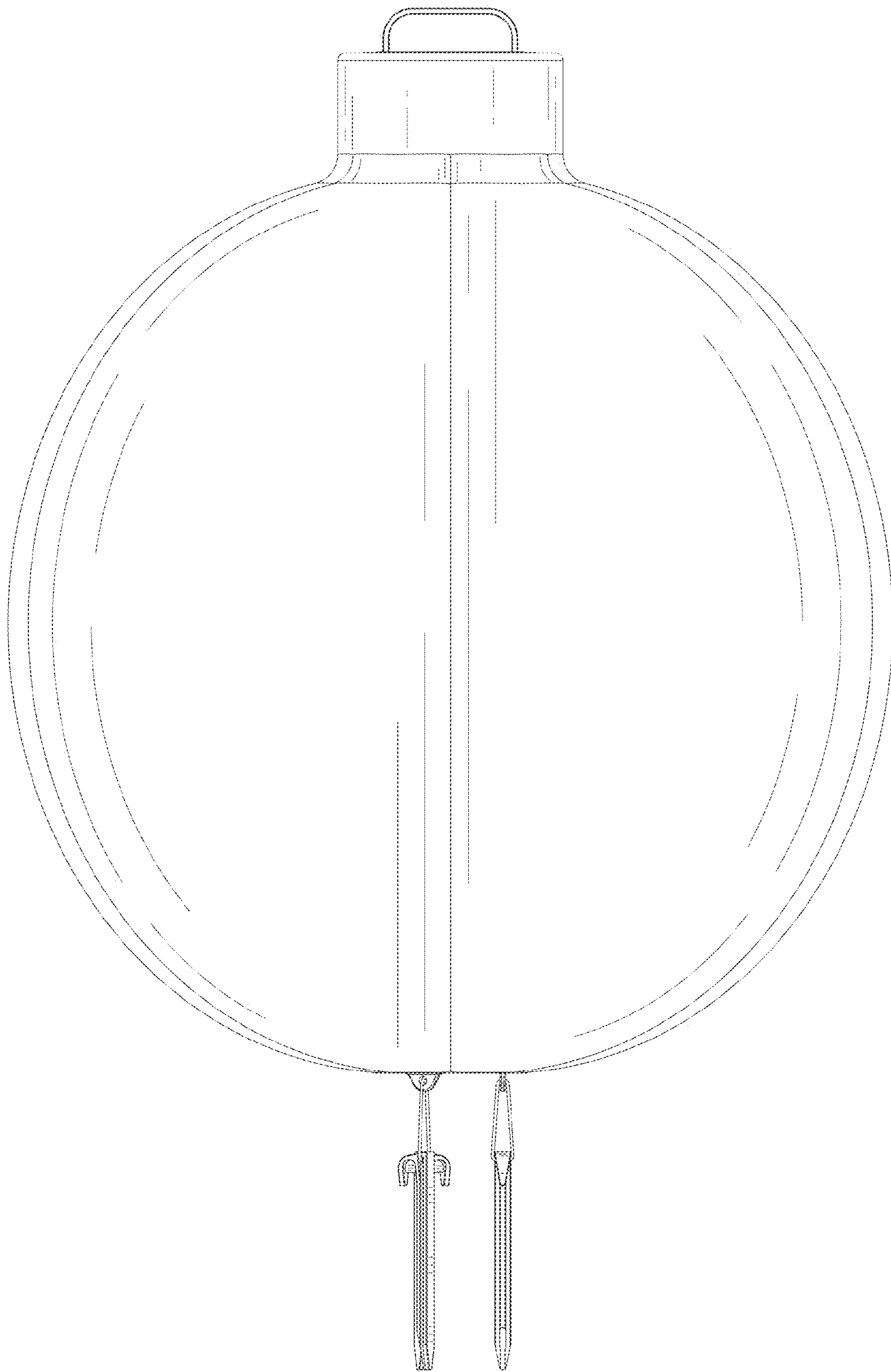


FIG. 5

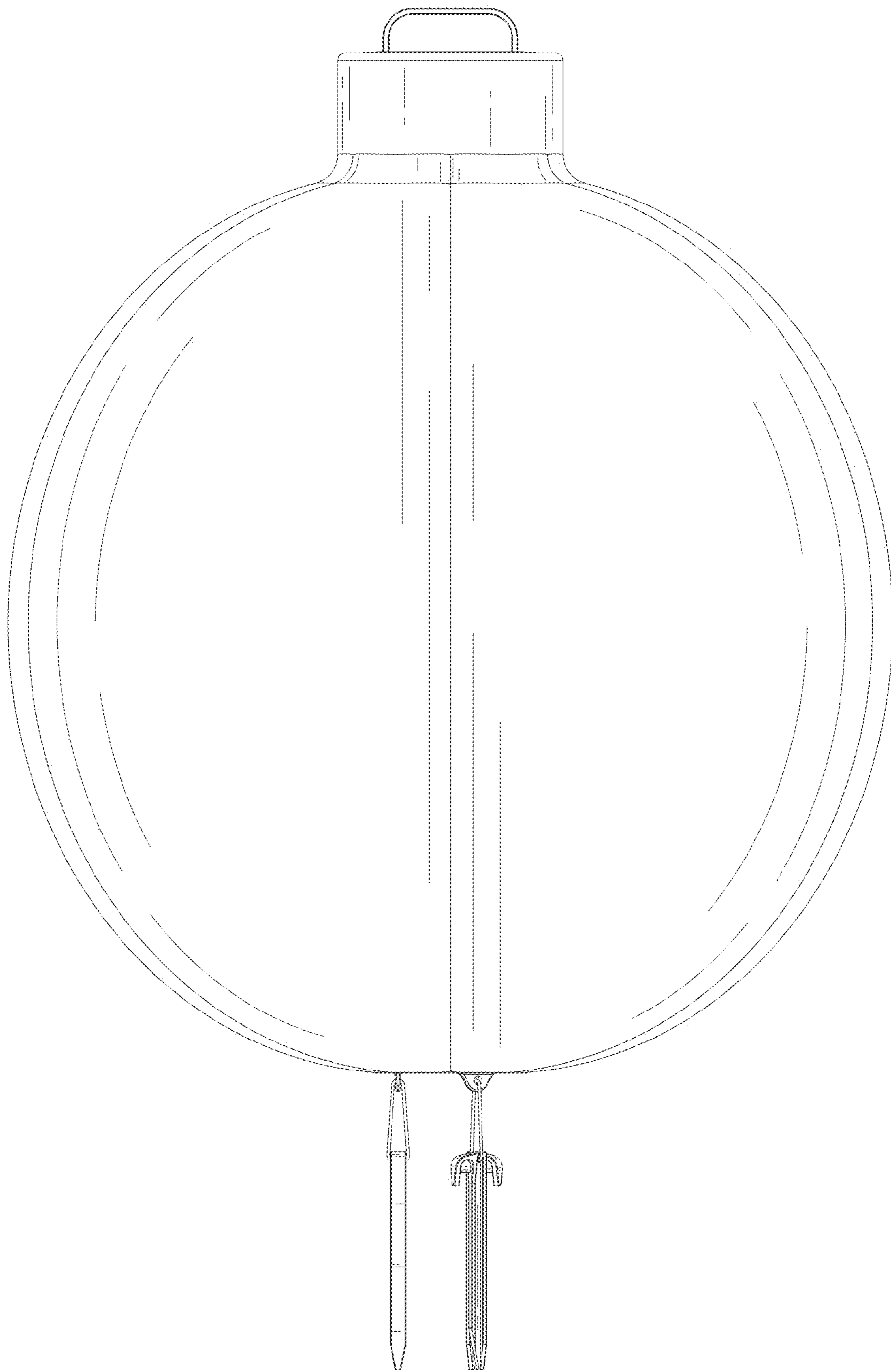


FIG. 6

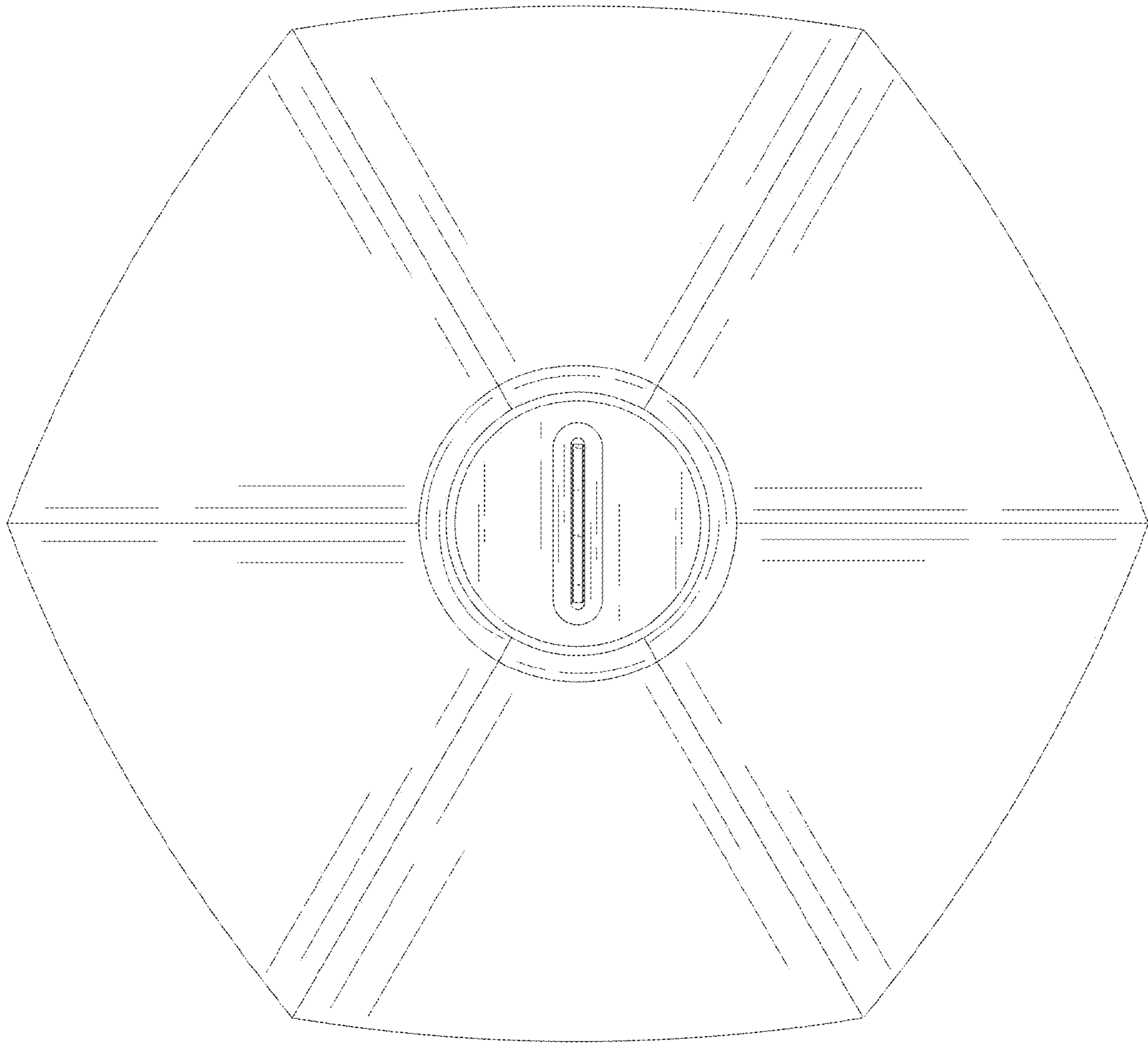


FIG. 7

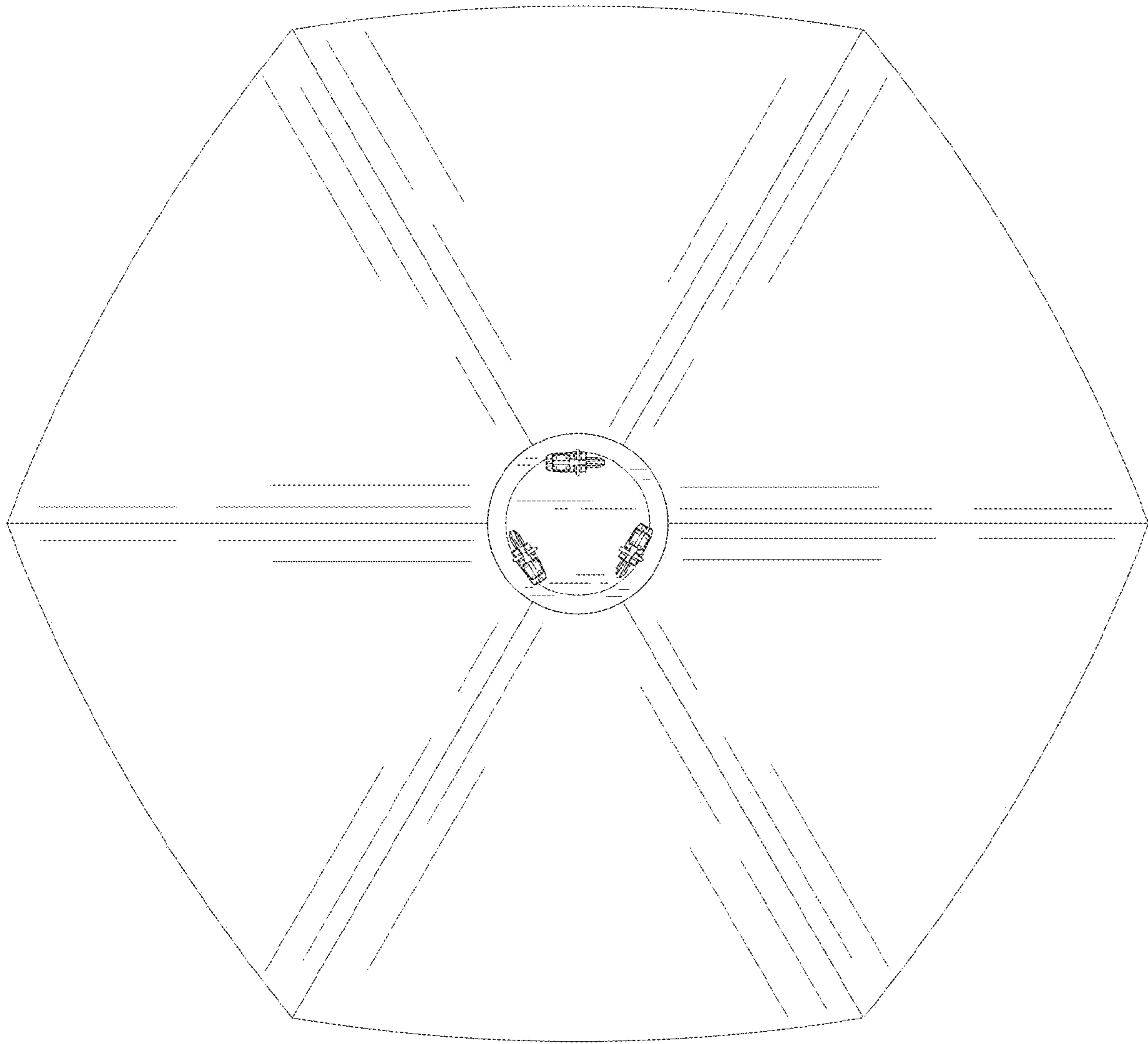


FIG. 8

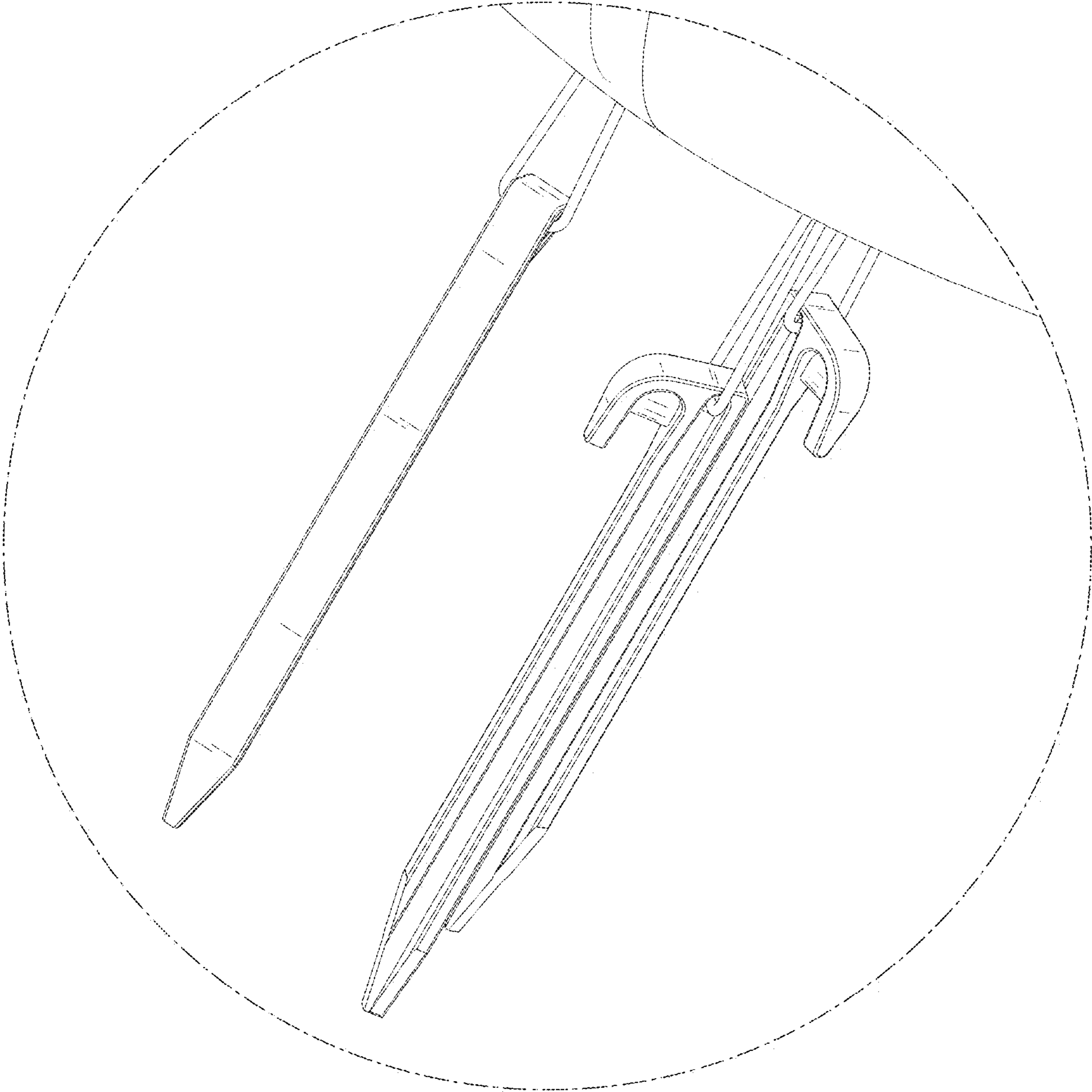


FIG. 9