



US00D980107S

(12) **United States Design Patent**
Chen

(10) **Patent No.:** **US D980,107 S**
(45) **Date of Patent:** **** Mar. 7, 2023**

(54) **BRACELET**
(71) Applicant: **Yiwu Saizhou Jewelry Co., Ltd**, Yiwu (CN)
(72) Inventor: **Saizhou Chen**, Tiantai County (CN)
(73) Assignee: **YIWU SAIZHOU JEWELRY CO., LTD**, Yiwu (CN)

5,794,459 A * 8/1998 Ignatowski A44C 15/003
63/38
D551,585 S * 9/2007 Wooley D11/11
D590,290 S * 4/2009 Lopez D11/1
D657,281 S * 4/2012 Psaute D11/11
D681,498 S * 5/2013 Kornerup D11/16
D690,058 S * 9/2013 Littrell D11/11
D893,339 S * 8/2020 Hill D11/13
D934,100 S 10/2021 Parvex
2003/0106336 A1 * 6/2003 Gaskill A44C 5/0023
63/3
2008/0022718 A1 * 1/2008 Pratt A44C 11/002
63/3
2015/0201742 A1 * 7/2015 Tomko A45C 11/00
224/219

(**) Term: **15 Years**
(21) Appl. No.: **29/835,363**

(22) Filed: **Apr. 19, 2022**
(51) **LOC (14) Cl.** **11-01**
(52) **U.S. Cl.**
USPC **D11/5**
(58) **Field of Classification Search**
USPC D11/1-8, 11, 12, 13, 16; D10/31, 32;
D14/344
CPC A44C 11/00; A44C 11/002; A44C 11/005;
A44C 11/007; A44C 13/00; A44C
15/003; A44C 5/00; A44C 5/0007; A44C
5/0023; A44C 5/0053; A44C 5/02; A44C
5/025; A44C 5/027; A44C 5/20; A44C
5/2057; A44C 5/2061; A44C 5/2071;
A44C 5/24; A44C 5/243; A44C 5/246
See application file for complete search history.

(56) **References Cited**
U.S. PATENT DOCUMENTS
1,116,910 A * 11/1914 Oexle A44C 11/00
63/5.1
3,742,730 A * 7/1973 Powell, Jr. D04D 9/00
63/37
D257,017 S * 9/1980 Barr D11/16
5,675,988 A * 10/1997 Ignatowski A44C 15/003
63/38
5,709,327 A * 1/1998 LaMacchia A44C 5/00
223/111

(Continued)

OTHER PUBLICATIONS

24/12 PCS Evil Eye Bracelets Pack, www.amazon.com, available for sale since Aug. 27, 2021, online. Site visited on Sep. 26, 2022. URL:<"https://www.amazon.com/dp/B09SWHFHSM/"> (Year: 2021).*

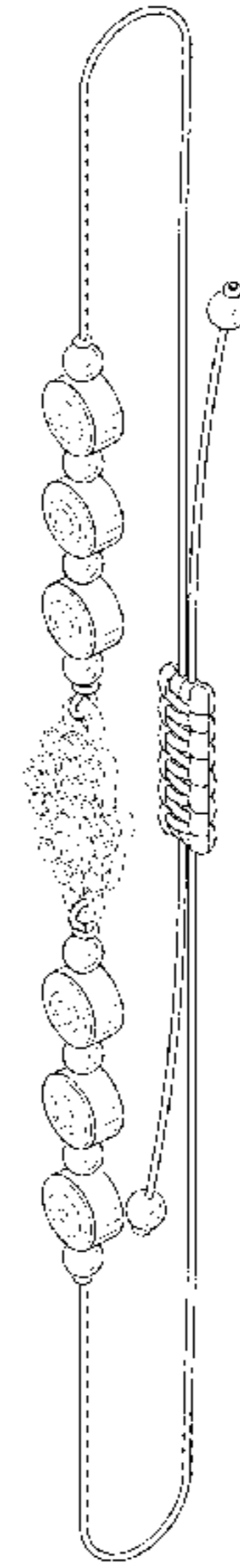
Primary Examiner — Llorelys Martinez
(74) *Attorney, Agent, or Firm* — ScienBiziP, P.C.

(57) **CLAIM**
The ornamental design for a bracelet, as shown and described.

DESCRIPTION

FIG. 1 is a front and top perspective view of a bracelet, showing my new design;
FIG. 2 is a rear and bottom perspective view thereof;
FIG. 3 is a front elevation view thereof;
FIG. 4 is a rear elevation view thereof;
FIG. 5 is a left side elevation view thereof;
FIG. 6 is a right side elevation view thereof;
FIG. 7 is a top plan view thereof; and,
FIG. 8 is a bottom plan view thereof.
The broken lines in the figures illustrate portions of the bracelet that form no part of the claimed design.

1 Claim, 8 Drawing Sheets



(56)

References Cited

U.S. PATENT DOCUMENTS

2018/0325227 A1 * 11/2018 McCafferty A44C 15/0025

* cited by examiner

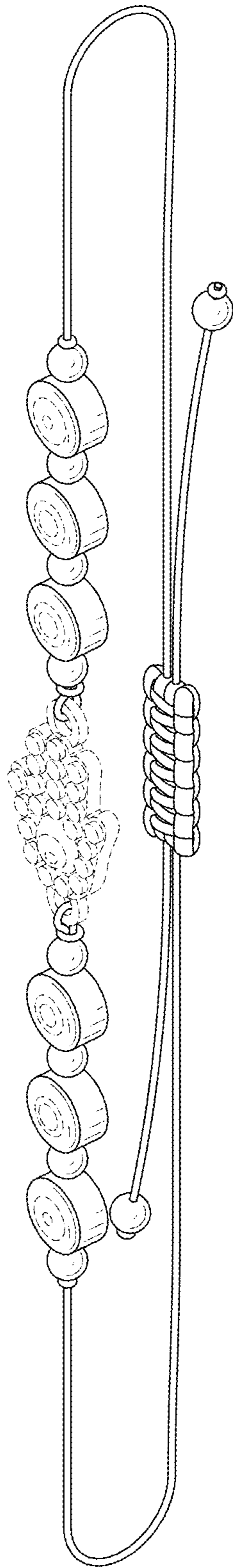


FIG. 1

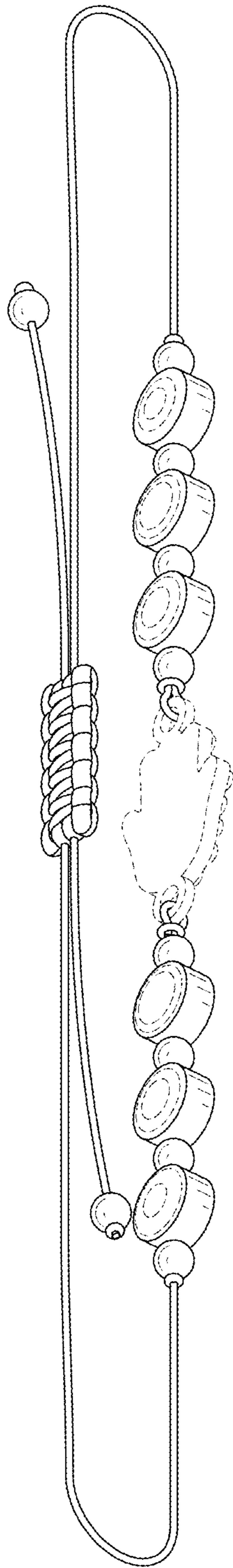


FIG. 2

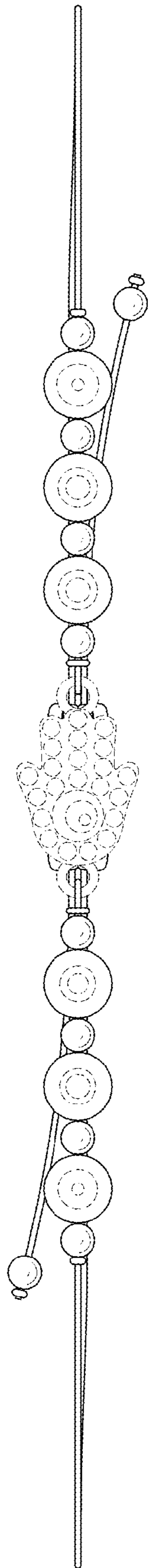


FIG. 3

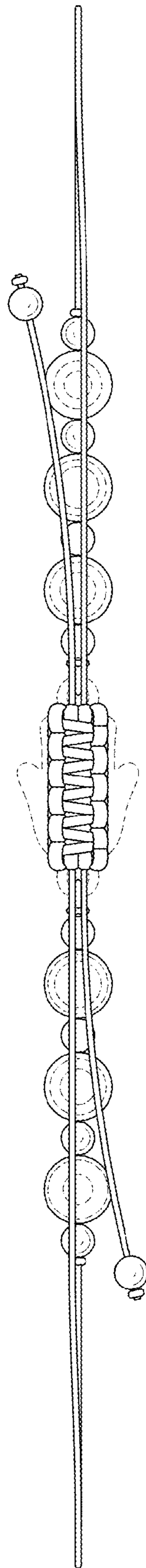


FIG. 4

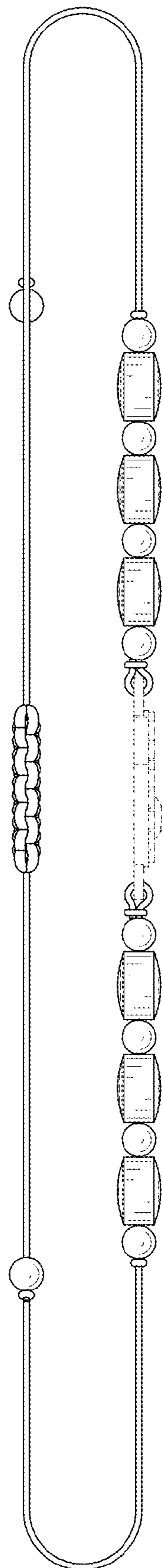


FIG. 5

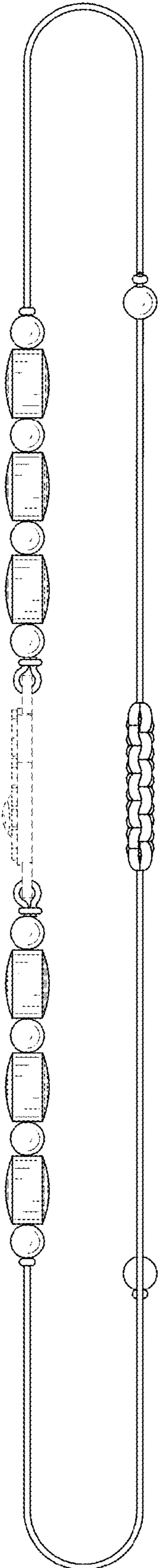


FIG. 6

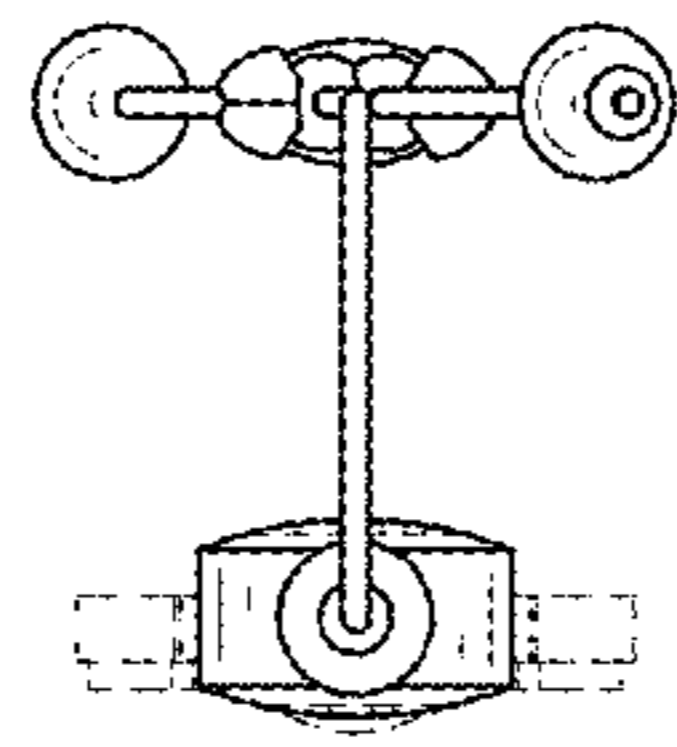


FIG. 7

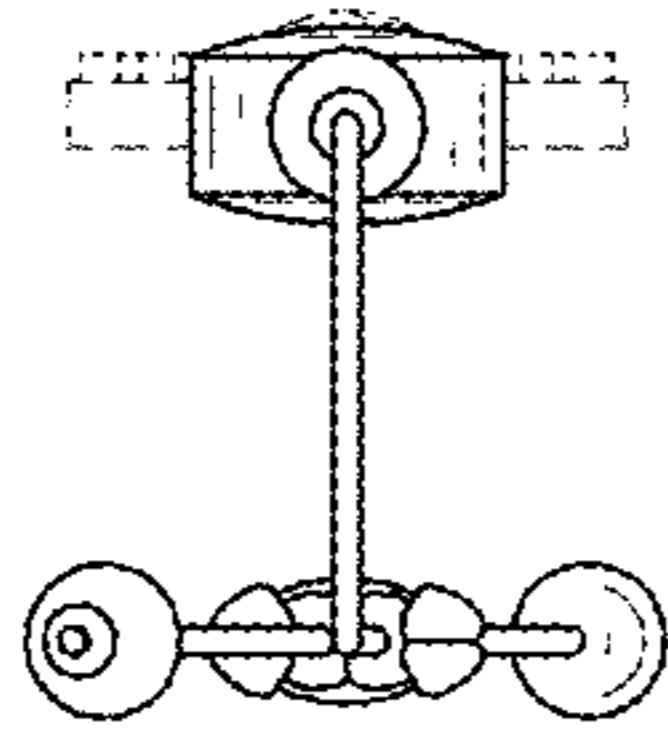


FIG. 8