



US00D980105S

(12) **United States Design Patent** (10) **Patent No.:** **US D980,105 S**  
**Yang** (45) **Date of Patent:** **\*\* Mar. 7, 2023**

(54) **WATCHBAND LENGTH ADJUSTER**

(71) Applicant: **Shenzhen Xingyi Technology Co., Ltd.**, Shenzhen (CN)

(72) Inventor: **Zhou Yang**, Shenzhen (CN)

(\*\*) Term: **15 Years**

(21) Appl. No.: **29/842,980**

(22) Filed: **Jun. 17, 2022**

(51) **LOC (14) Cl.** ..... **11-01**

(52) **U.S. Cl.**  
USPC ..... **D11/3**

(58) **Field of Classification Search**  
USPC ..... D11/1-5, 86; D10/32  
CPC ..... A44C 5/0053  
See application file for complete search history.

(56) **References Cited**

**U.S. PATENT DOCUMENTS**

- D417,411 S \* 12/1999 Cattin ..... D11/3
- D515,962 S 2/2006 Lalo
- D727,199 S \* 4/2015 Akana ..... D11/3
- D732,414 S 6/2015 Cerrato
- D747,234 S \* 1/2016 Akana ..... D11/86
- D749,450 S \* 2/2016 Akana ..... D11/86
- D749,977 S \* 2/2016 Akana ..... D11/86
- D750,524 S \* 3/2016 Akana ..... D11/86
- D760,603 S \* 7/2016 Soares ..... D10/39
- D779,990 S \* 2/2017 Akana ..... D11/3
- D779,992 S \* 2/2017 Akana ..... D11/3
- D790,382 S 6/2017 Sasson
- D792,795 S 7/2017 Cerrato
- D820,140 S \* 6/2018 Register ..... D11/3
- D839,120 S \* 1/2019 Hou ..... D11/3
- D847,012 S \* 4/2019 Akana ..... D11/3
- D848,303 S 5/2019 Register
- D870,588 S \* 12/2019 Akana ..... D11/3
- D874,311 S 2/2020 Connor
- D880,338 S \* 4/2020 Akana ..... D11/3
- D885,956 S 6/2020 Laucella
- D892,667 S 8/2020 Chen

- D904,922 S \* 12/2020 Akana ..... D11/94
- D905,584 S \* 12/2020 Register ..... D11/3
- D909,904 S \* 2/2021 Koyama ..... D11/3
- D913,141 S 3/2021 Li
- D944,109 S 2/2022 Li

(Continued)

**FOREIGN PATENT DOCUMENTS**

- CN 307416393 \* 6/2022
- CN 307416394 \* 6/2022

**OTHER PUBLICATIONS**

Casio watchband. EF-305 D Edifice Steel/SilverTone Push Button Bracelet w/Pins wrist watcher pp. 1-8(Year: 2022) <https://wristwatcher.com/products/casio-watchband-ef-305-d-edifice-steel-silvertone-push-button-bracelet-w-pins-1>.\*

(Continued)

*Primary Examiner* — Kevin K Rudzinski  
*Assistant Examiner* — Evans David Delesline  
(74) *Attorney, Agent, or Firm* — Rumit Ranjit Kanakia

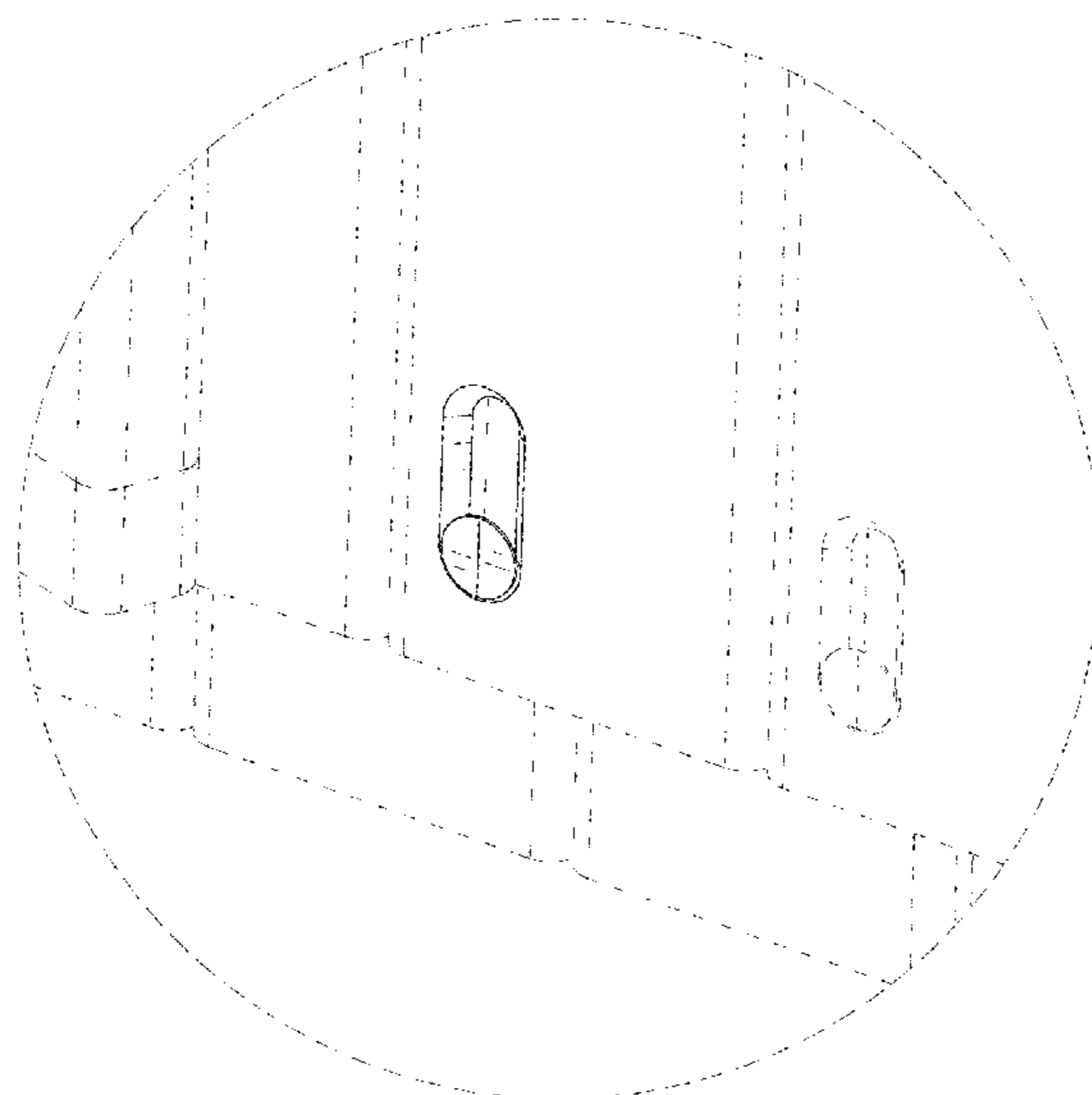
(57) **CLAIM**

The ornamental design for a watchband length adjuster, as shown and described.

**DESCRIPTION**

FIG. 1 is a top right perspective view of a watchband length adjuster showing my new design;  
FIG. 2 is a lower left perspective view thereof;  
FIG. 3 is a front elevational view thereof;  
FIG. 4 is a partial enlarged view of FIG. 1;  
FIG. 5 is a partial enlarged view of FIG. 2; and,  
FIG. 6 is a partial enlarged view of FIG. 3.  
The broken lines in the figures are for the purposes of illustrating portions of the watchband length adjuster, which form no part of the claimed design.

**1 Claim, 6 Drawing Sheets**



(56)

**References Cited**

U.S. PATENT DOCUMENTS

D964,877 S \* 9/2022 Li ..... D11/3

OTHER PUBLICATIONS

Kartice(TM) 316L Stainless Steel Link Bracelet Watch Band Strap Replacement with Double Button Folding Clasp Like Original For iWatch Apple Watch Sport&Edition—42 Silver Amazon pp. 1-3 (Year: 2022) <https://www.amazon.in/Kartice-Stainless-Bracelet-Replacement-Original/dp/B0173GG1EW>.\*

\* cited by examiner

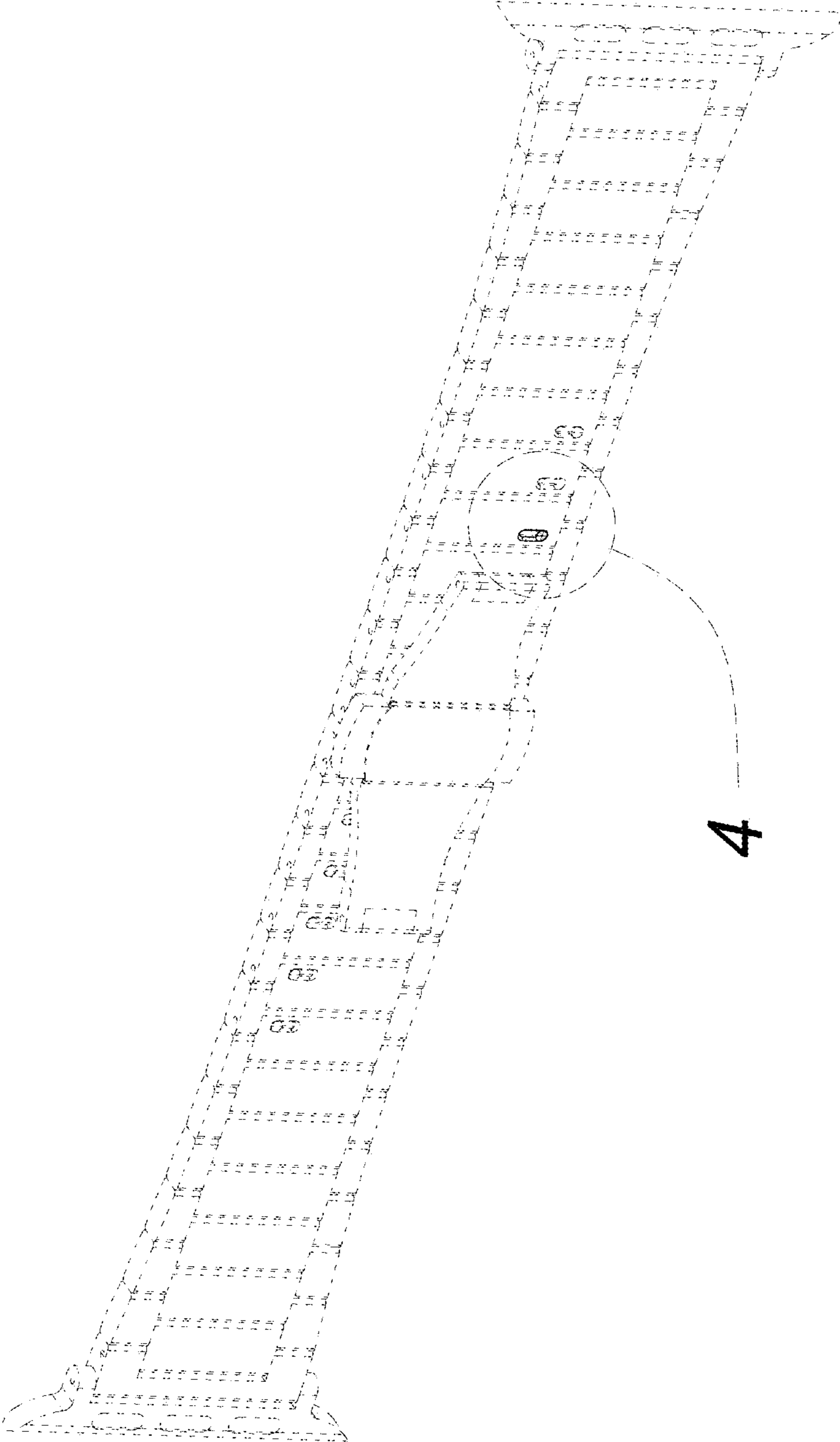


FIG. 1

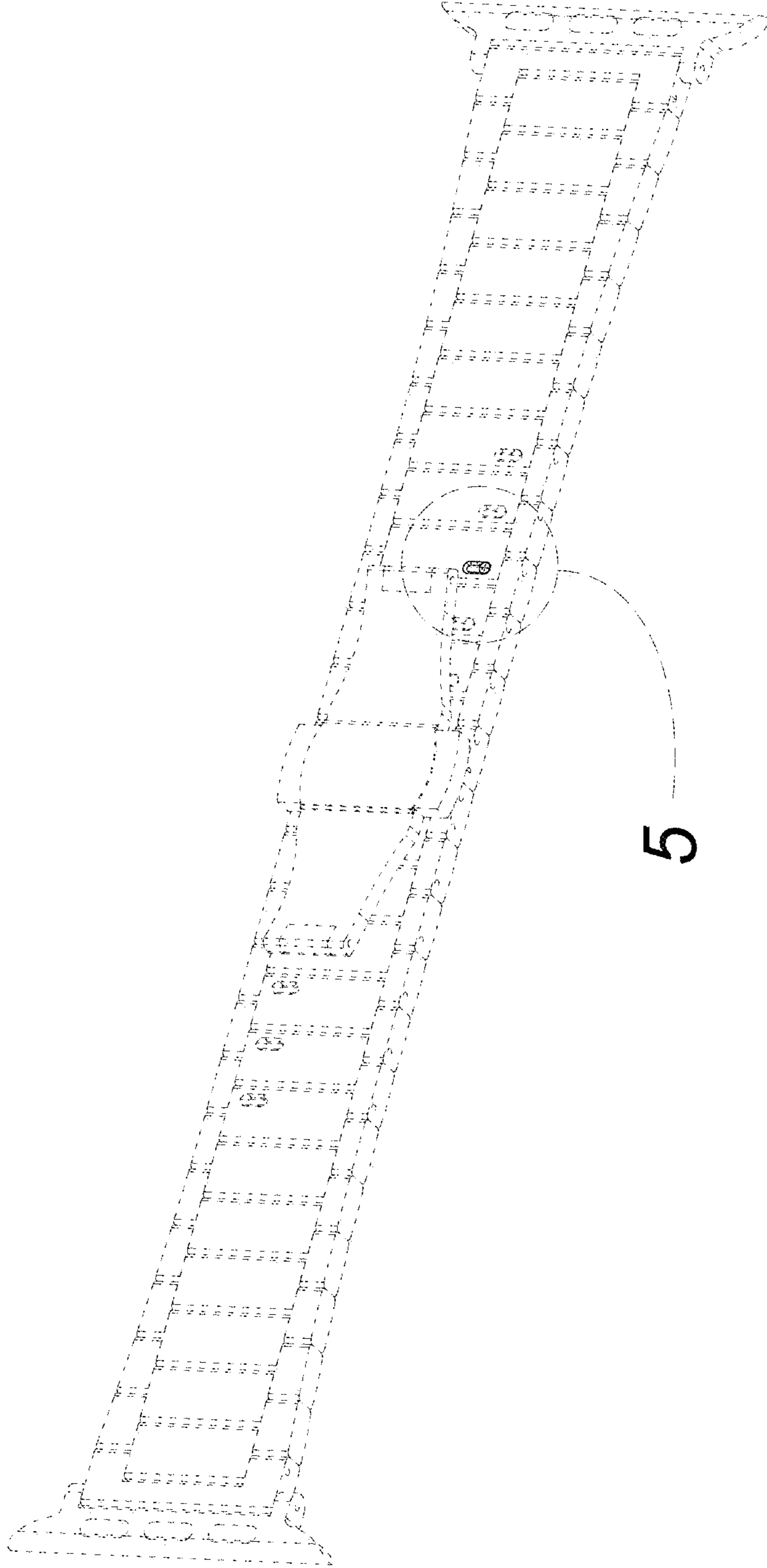


FIG. 2

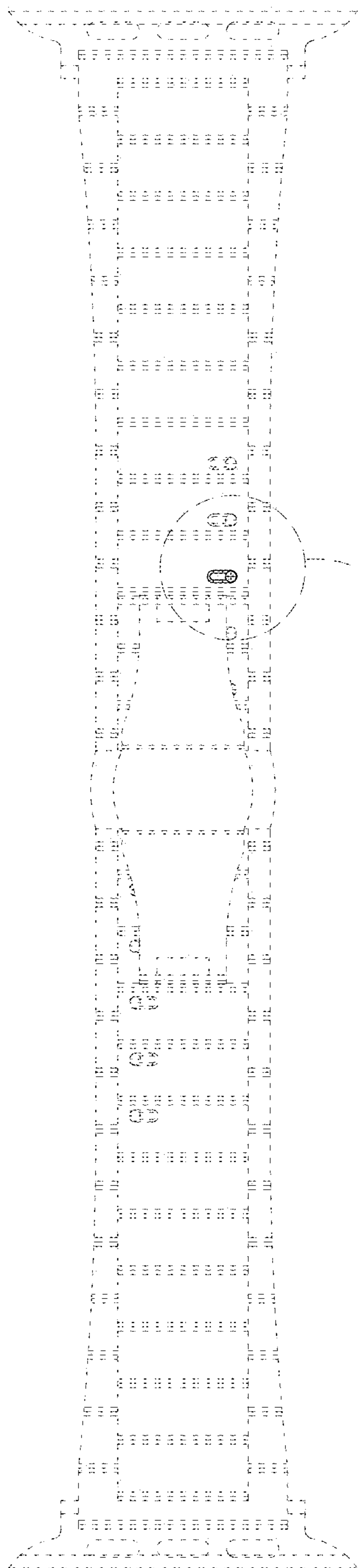
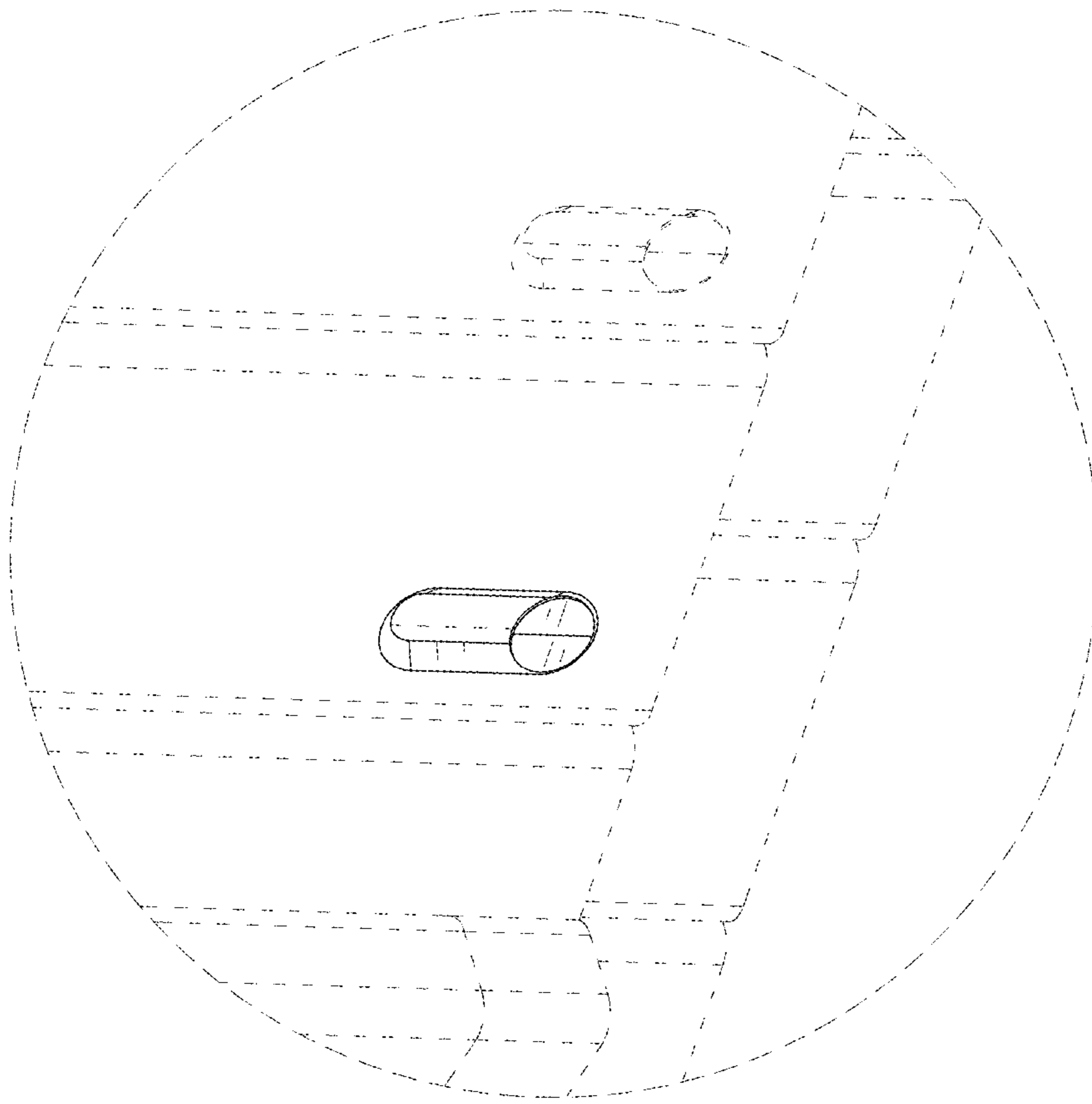


FIG. 3



**FIG. 4**

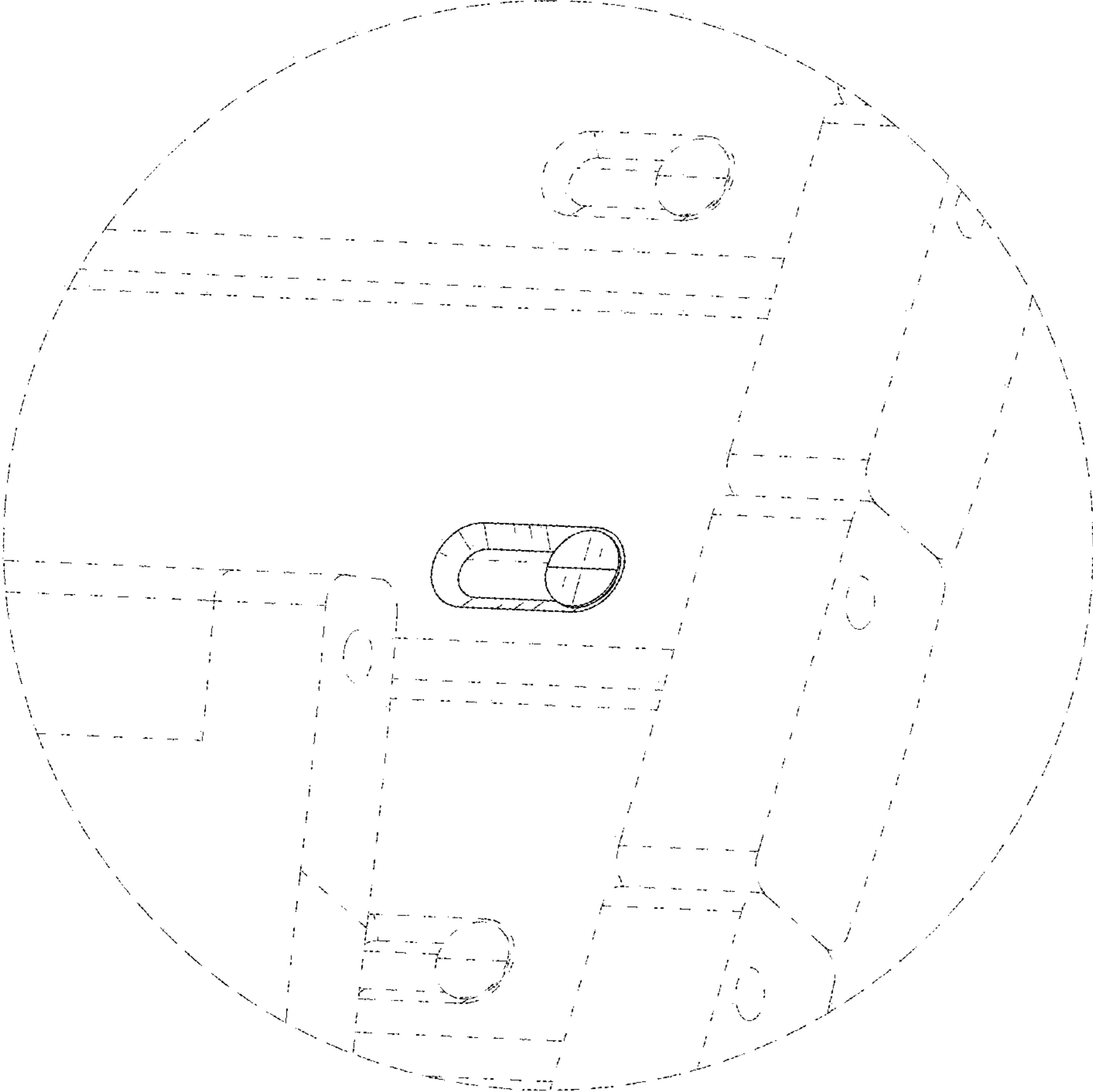
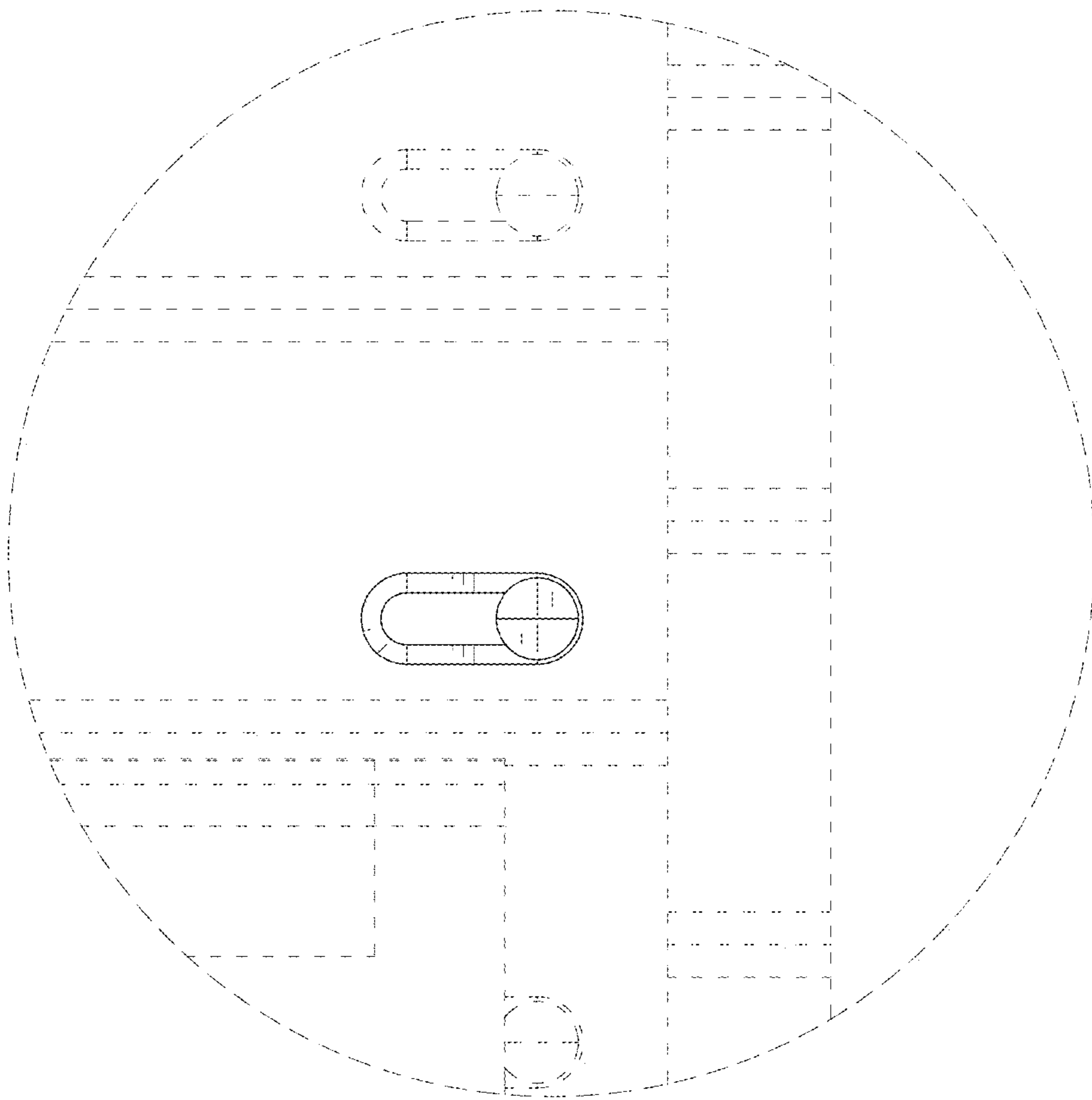


FIG. 5



**FIG. 6**