



US00D980101S

(12) **United States Design Patent** (10) **Patent No.:** **US D980,101 S**
Jeong et al. (45) **Date of Patent:** **** Mar. 7, 2023**

(54) **DOORBELL**

D510,584 S 10/2005 Tierney
D548,749 S 8/2007 Schmidt et al.
D596,163 S * 7/2009 Madonna D14/218
(Continued)

(71) Applicant: **Google LLC**, Mountain View, CA (US)

(72) Inventors: **Hae Rim Jeong**, San Francisco, CA (US); **Sung Bai**, San Jose, CA (US); **Maj Isabelle Olsson**, Sunnyvale, CA (US); **Étienne Bérubé**, San Francisco, CA (US)

FOREIGN PATENT DOCUMENTS

CN D1597019 2/2018
CN 305274349 * 7/2019
(Continued)

(73) Assignee: **GOOGLE LLC**, Mountain View, CA (US)

OTHER PUBLICATIONS

Winees Doorbell, published Feb. 8, 2022 on Amazon.com, retrieved from the internet May 26, 2022. <URL: https://www.amazon.com/dp/B08W57LVHS/ref=sspa_dk_detail_1> (Year: 2022).*
(Continued)

(**) Term: **15 Years**

(21) Appl. No.: **29/799,856**

(22) Filed: **Jul. 16, 2021**

Primary Examiner — Joseph Kukella
Assistant Examiner — Heather Ann Laaveg Wencil
(74) *Attorney, Agent, or Firm* — Leason Ellis LLP

(51) **LOC (14) Cl.** **11-02**

(52) **U.S. Cl.**
USPC **D10/118.2**

(57) **CLAIM**

The ornamental design for a doorbell, as shown and described.

(58) **Field of Classification Search**
USPC D10/106.6, 106.7, 106.8, 116.1, 118.2, D10/121–124, 126, 118, 118.1; D13/171, D13/174; D14/358; D16/202, 203, 208, D16/209, 215
CPC ... G08B 3/00; G08B 3/10; G08B 7/00; G08B 7/06; G08B 13/1436; G08B 13/1463; G08B 13/1481; A63H 30/00; G10K 1/00; G10K 1/07; G10K 1/10; G10K 1/63; G10K 3/00; G10K 9/00
See application file for complete search history.

DESCRIPTION

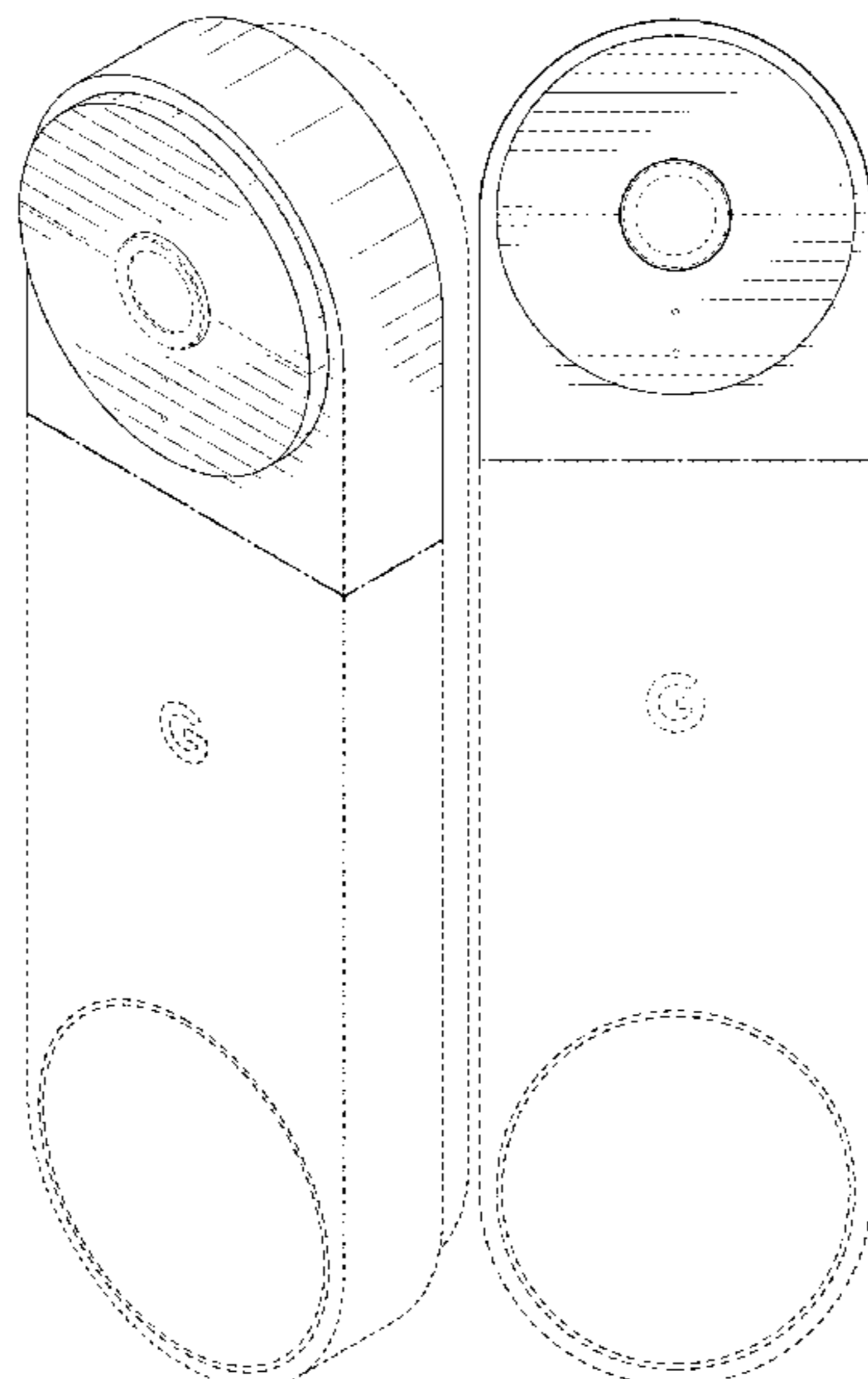
FIG. 1 is a front perspective view of a doorbell showing our new design;
FIG. 2 is a front elevational view thereof;
FIG. 3 is a rear elevational view thereof;
FIG. 4 is a left-side elevational view thereof;
FIG. 5 is a right-side elevational view thereof;
FIG. 6 is a top plan view thereof; and,
FIG. 7 is a bottom plan view thereof.
The portions of the design shown in dashed lines are for the purpose of illustrating environment only and form no part of the claimed design.
The dot-dash lines in FIGS. 1-5 are boundary lines that define the bounds of the claimed design at a top portion of the doorbell and form no part thereof.

(56) **References Cited**

U.S. PATENT DOCUMENTS

D299,316 S * 1/1989 Vickery D10/126
4,967,046 A 10/1990 Priesemuth
D339,543 S 9/1993 Martin
D483,281 S 12/2003 Cobigo
D485,197 S * 1/2004 Rodriguez D10/80

1 Claim, 5 Drawing Sheets



(56)

References Cited

U.S. PATENT DOCUMENTS

D618,681 S * 6/2010 Richter D14/358
 D690,757 S 10/2013 Bart et al.
 D764,461 S * 8/2016 Romanoff D14/453
 D764,958 S 8/2016 Scalisi et al.
 D765,530 S 9/2016 Scalisi et al.
 D773,941 S * 12/2016 Holzer D10/22
 D780,611 S * 3/2017 Studer D10/104.1
 D789,363 S 6/2017 Jentz et al.
 D789,364 S 6/2017 Jentz et al.
 D789,365 S 6/2017 Jentz et al.
 D789,366 S 6/2017 Jentz et al.
 D789,367 S 6/2017 Jentz et al.
 D793,268 S 8/2017 Ye et al.
 D795,109 S 8/2017 Olodort et al.
 D800,201 S 10/2017 Song
 D805,570 S 12/2017 Shi
 D806,154 S 12/2017 Shi
 D815,091 S * 4/2018 Nguyen D14/496
 D828,428 S * 9/2018 Lee D16/203
 D850,315 S * 6/2019 Laurans D10/118.2
 10,445,991 B1 * 10/2019 Wong G08B 3/10
 D877,097 S * 3/2020 Tang D13/174
 D879,640 S 3/2020 Jacob et al.
 D883,833 S * 5/2020 Jacob D10/118.2
 D896,764 S * 9/2020 Gutierrez D13/162
 D902,206 S * 11/2020 Laurans D14/383
 D906,151 S * 12/2020 Jacob D10/118.2
 D907,091 S * 1/2021 Lv D16/202
 D912,717 S * 3/2021 Russo D16/202
 D922,967 S * 6/2021 Altonen D13/171
 D942,958 S * 2/2022 Maier D14/218
 D951,322 S * 5/2022 Mao D16/202
 D952,851 S * 5/2022 Chang D16/208
 11,336,005 B1 * 5/2022 Chen H04N 7/186
 2019/0149775 A1 * 5/2019 Alamgir G08B 13/1966
 348/143
 2020/0288045 A1 * 9/2020 Jeong H04N 5/2252
 2021/0174095 A1 * 6/2021 Kong G08B 3/10

FOREIGN PATENT DOCUMENTS

CN 305380458 * 10/2019
 CN 306025493 9/2020
 CN 306594930 * 6/2021
 CN 306610592 * 6/2021
 GB 5004565 * 8/2016
 JP 304991675 1/2019
 TW D192245 8/2018

OTHER PUBLICATIONS

Arlo Doorbell, published Nov. 1, 2020 on Amazon.com, retrieved from the internet May 26, 2022. <URL:https://www.amazon.com/dp/B08HRNG8CR/ref=sspa_dk_detail_3> (Year: 2022).*

Taiwan Patent Application No. 109307134 Office Action dated Jan. 6, 2022, 12 pages.

Taiwan Patent Application No. 109307134 English Translation of Search Report dated Jan. 3, 2022, 1 page.

Google, Patent Certificate for Design, Certificate No. 4493940, Patent No. ZL201730288012.3, Jan. 30, 2018, 7 pgs.

Google, Notification of Registration, 004086437, Jul. 13, 2017, 6pgs.

Ario Doorbell, published Nov. 1, 2020 on Amazon.com, retrieved from the internet May 26, 2022. <URL:https://www.amazon.com/dp/B0SHRNG8CR/ref=sspa_dk_detail_3> (Year: 2022).

Remo+RemoBell, no available published date on Amazon, retrieved from the internet Jun. 2, 2022 <URL:https://www.amazon.com/Remo-Remo Bell-Fast-Responding-Doorbell-Devices/product-reviews/B07TX1X458/ref=cm_cr_othr_d_show_all_btm> (Year: 2022).

Reddit.com; u/No-Transportation220; Jul. 2020 “Fake Equipment?? Looks real and who sells used fake cameras?” accessed on Dec. 29, 2020 via Internet URL <https://www.reddit.com/r/Nest/comments/hr8rz9/ake_equipment_looks_real_and_who_sells_used_fake/> 2 pages.

* cited by examiner

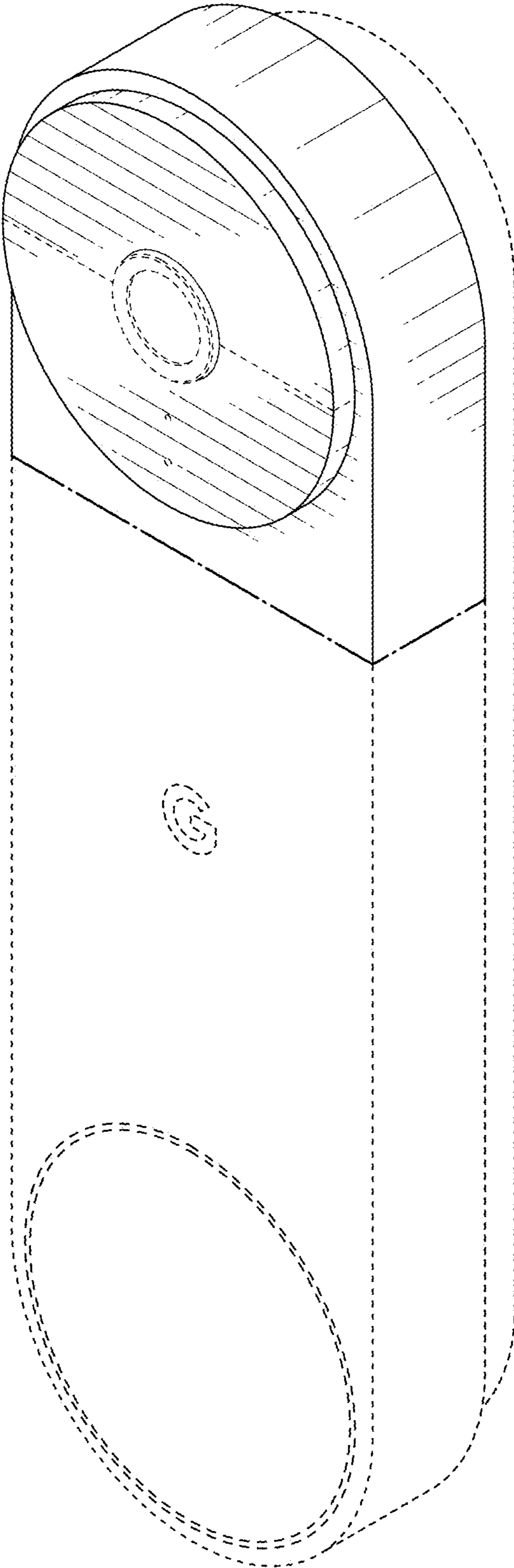


FIG. 1

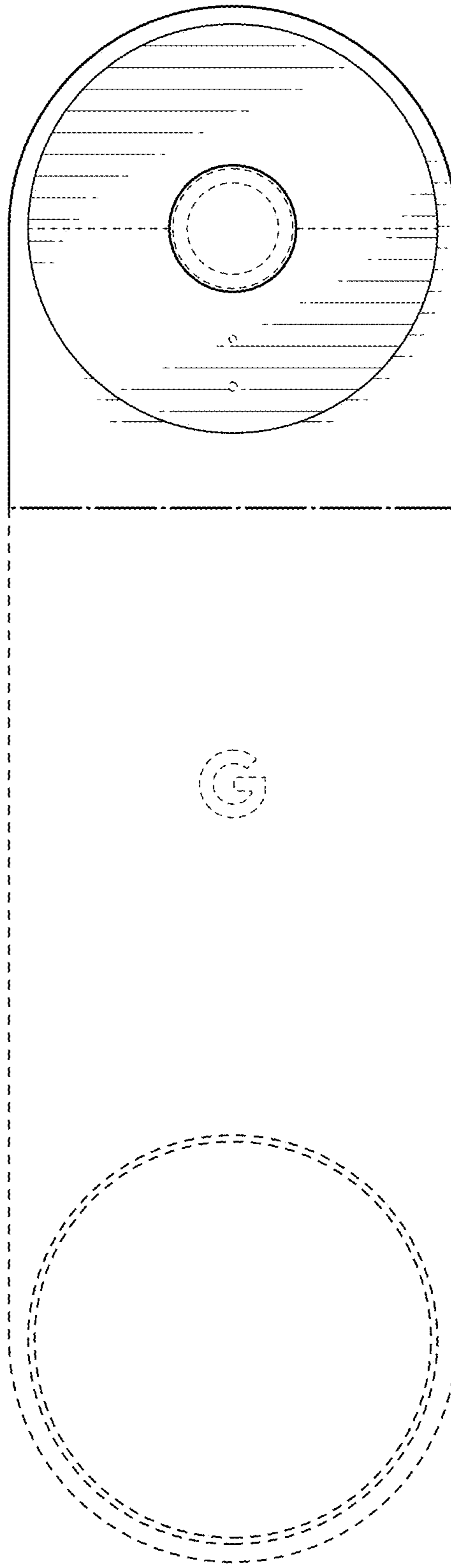


FIG. 2

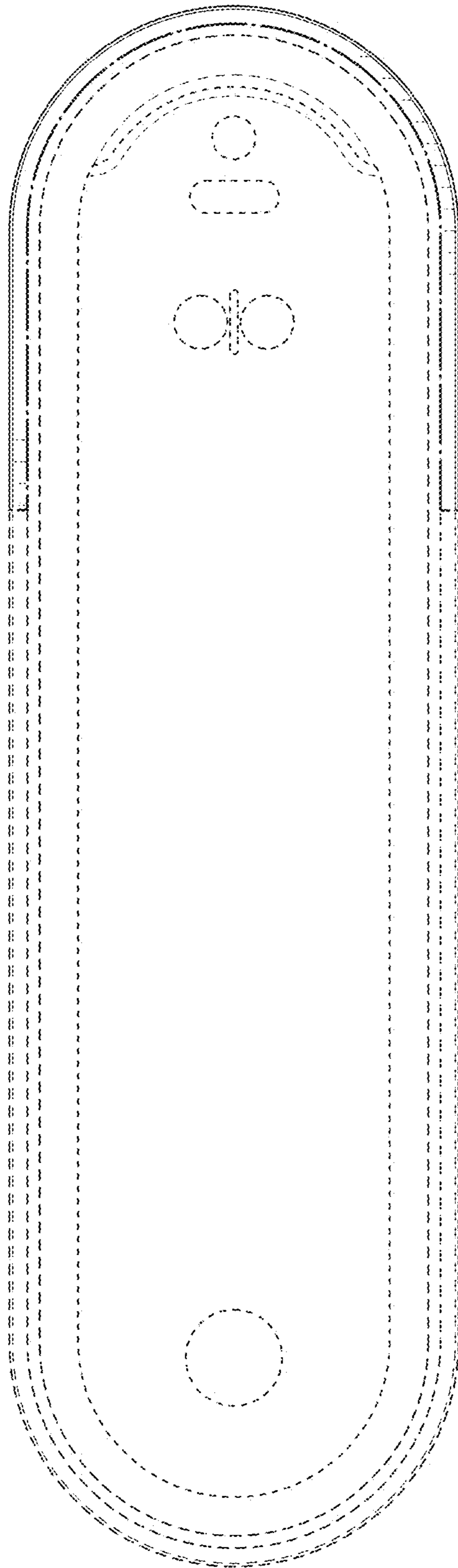


FIG. 3

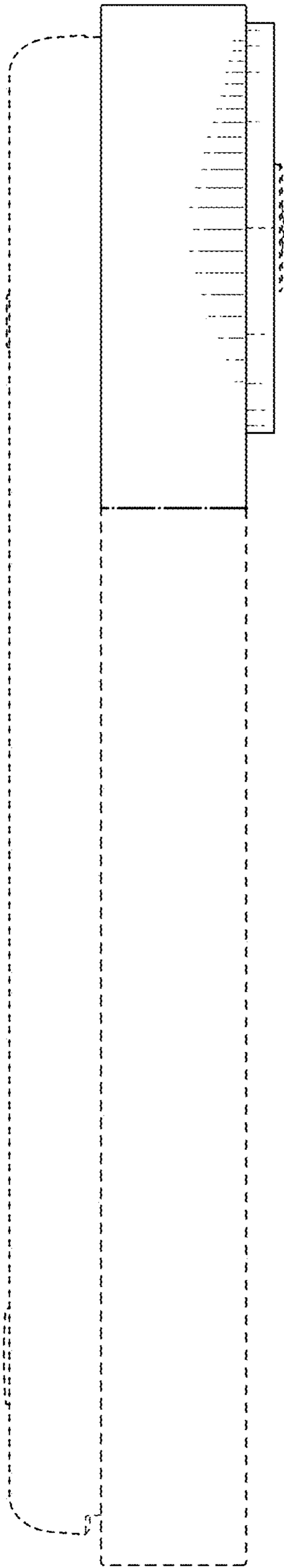


FIG. 4

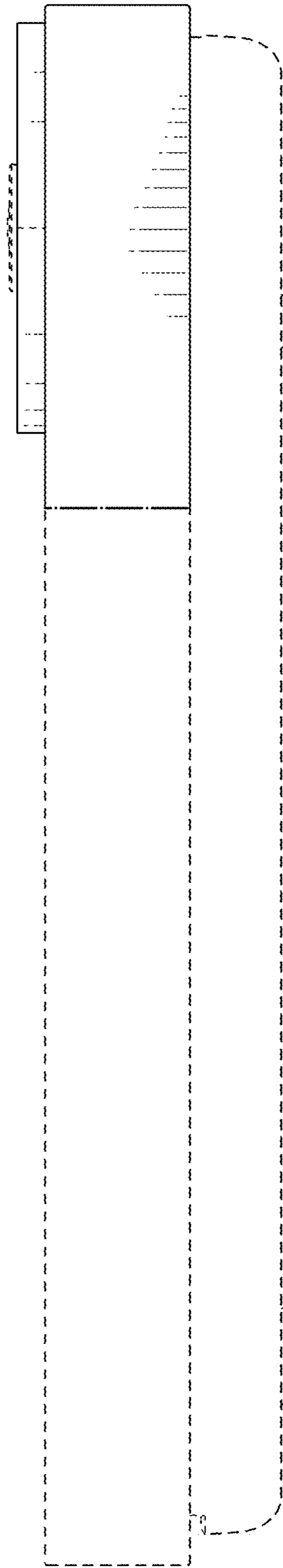


FIG. 5

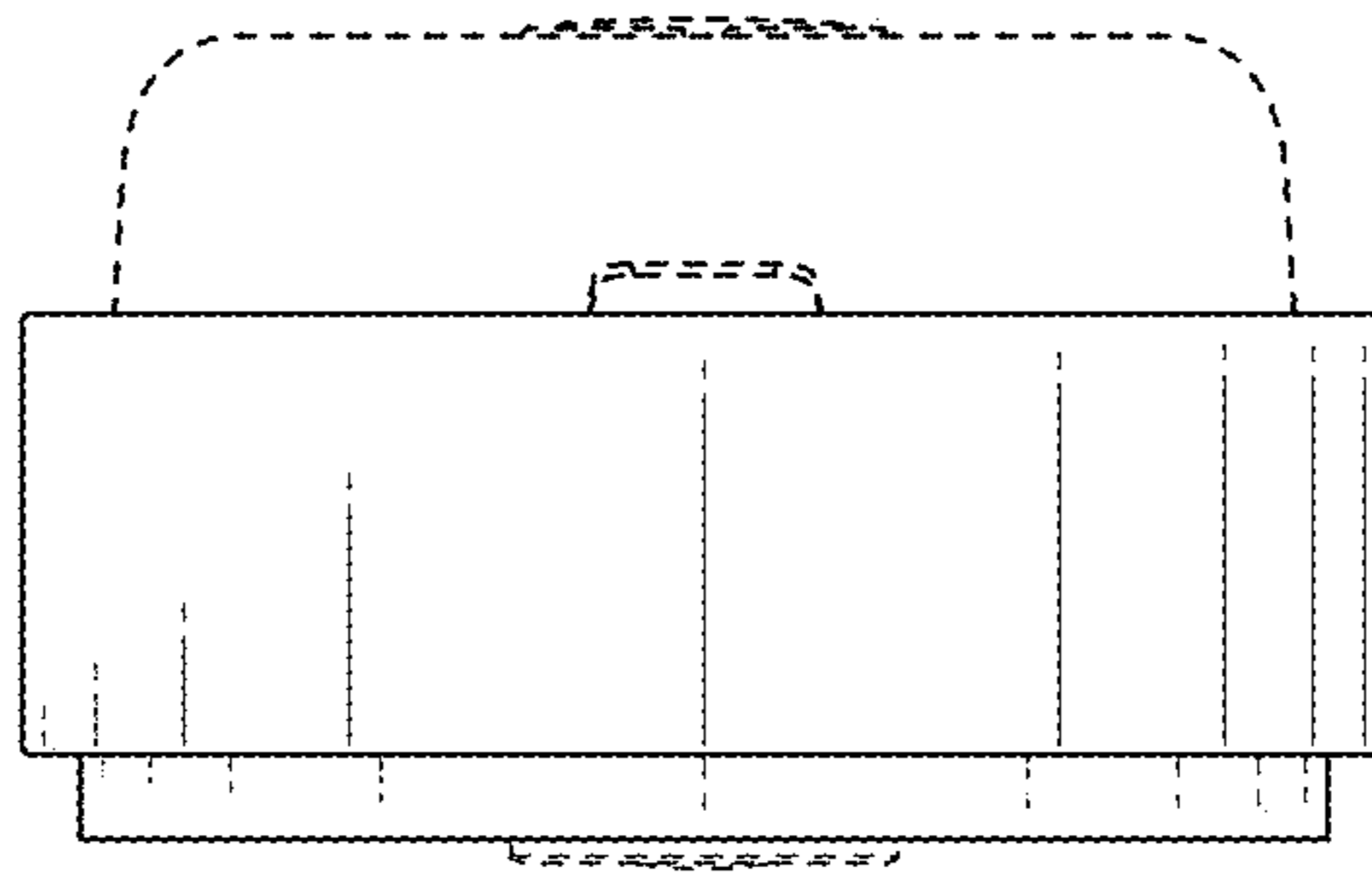


FIG. 6

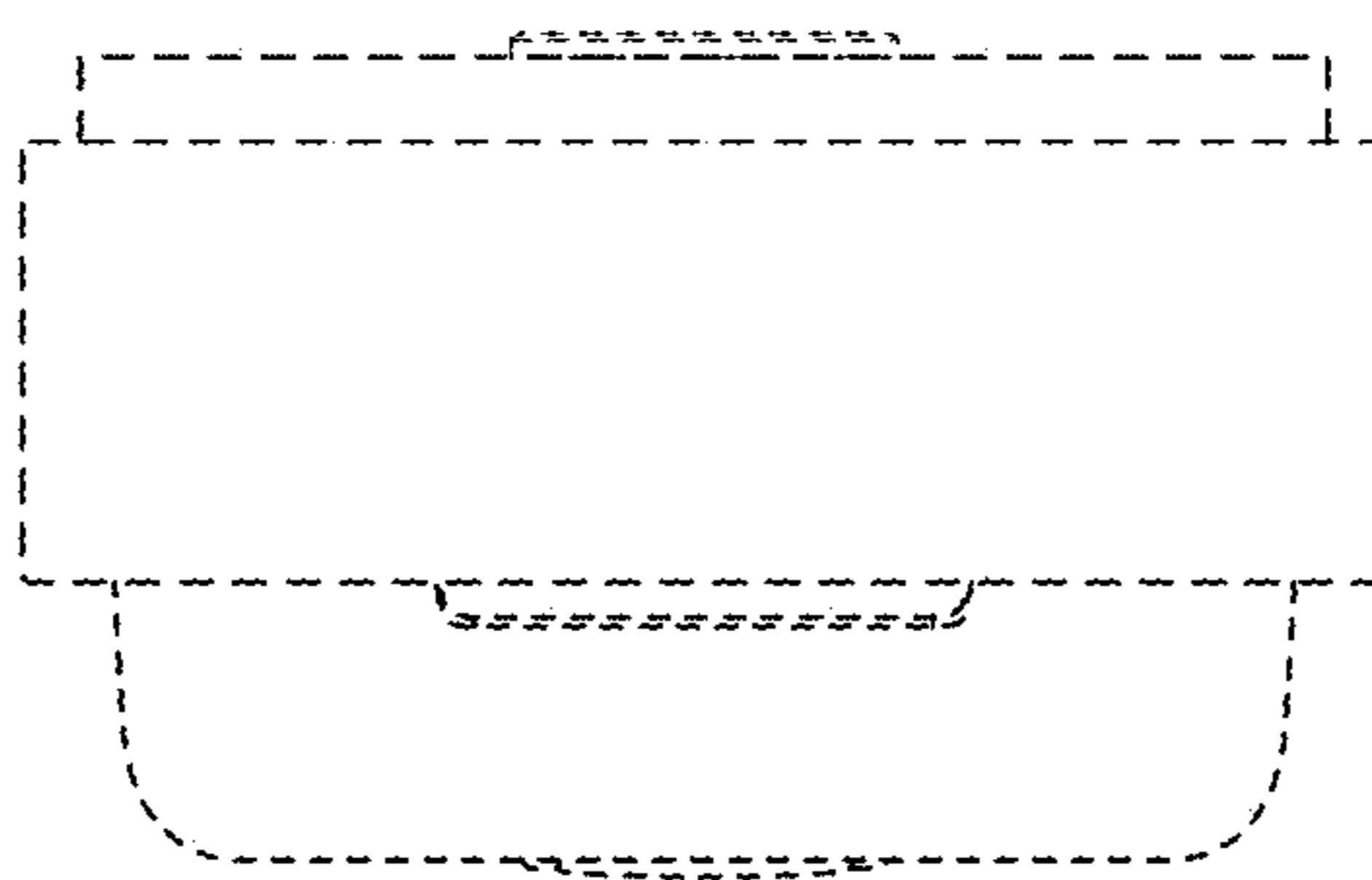


FIG. 7