



US00D980097S

(12) **United States Design Patent** (10) **Patent No.:** **US D980,097 S**
Varini (45) **Date of Patent:** **** Mar. 7, 2023**

(54) **FLOWMETER**

(71) Applicant: **PIUSI S.P.A.**, Suzzara (IT)

(72) Inventor: **Otto Varini**, Suzzara (IT)

(73) Assignee: **PIUSI S.P.A.**, Suzzara (IT)

(**) Term: **15 Years**

(21) Appl. No.: **29/829,397**

(22) Filed: **Mar. 4, 2022**

Related U.S. Application Data

(62) Division of application No. 29/716,438, filed on Dec. 10, 2019, now Pat. No. Des. 960,737.

(30) **Foreign Application Priority Data**

Jun. 10, 2019 (EM) 006573168

(51) **LOC (14) Cl.** **10-04**

(52) **U.S. Cl.**
USPC **D10/96**

(58) **Field of Classification Search**

USPC D10/83, 75-80, 87-93, 96-103, 40;
D23/233, 235, 245

CPC G01F 15/06; G01F 1/662; G01F 15/18;
G01F 15/14; G01F 1/22; G01F 1/28;
G01F 23/02; G01F 15/125; G01F 15/185;
H05K 2201/10098; G01D 13/00; G01D
5/42; A01G 25/165; Y10T 137/86389
See application file for complete search history.

(56) **References Cited**

U.S. PATENT DOCUMENTS

5,251,149 A * 10/1993 Williams G01F 3/12
73/1.28
D575,652 S * 8/2008 Varini D10/96
D665,287 S * 8/2012 Fukano D10/96

D886,645 S * 6/2020 Chen D10/40
D924,700 S * 7/2021 Xu D10/40
D954,566 S * 6/2022 Chen D10/40
2015/0053288 A1 * 2/2015 Cheng A01G 25/165
137/624.11
2015/0276454 A1 * 10/2015 Laursen G01D 4/02
73/201
2016/0341592 A1 * 11/2016 Mo G01F 23/363
2017/0356779 A1 * 12/2017 Stuyvenberg F16K 31/508
2021/0105959 A1 * 4/2021 Chen F16K 31/404

(Continued)

FOREIGN PATENT DOCUMENTS

CN 307232852 * 10/2021
CN 307264826 * 12/2021
CN 307469281 * 12/2021

(Continued)

Primary Examiner — Keli L Hill

Assistant Examiner — Sara S Sahneh

(74) *Attorney, Agent, or Firm* — Scully, Scott, Murphy & Presser, P.C.

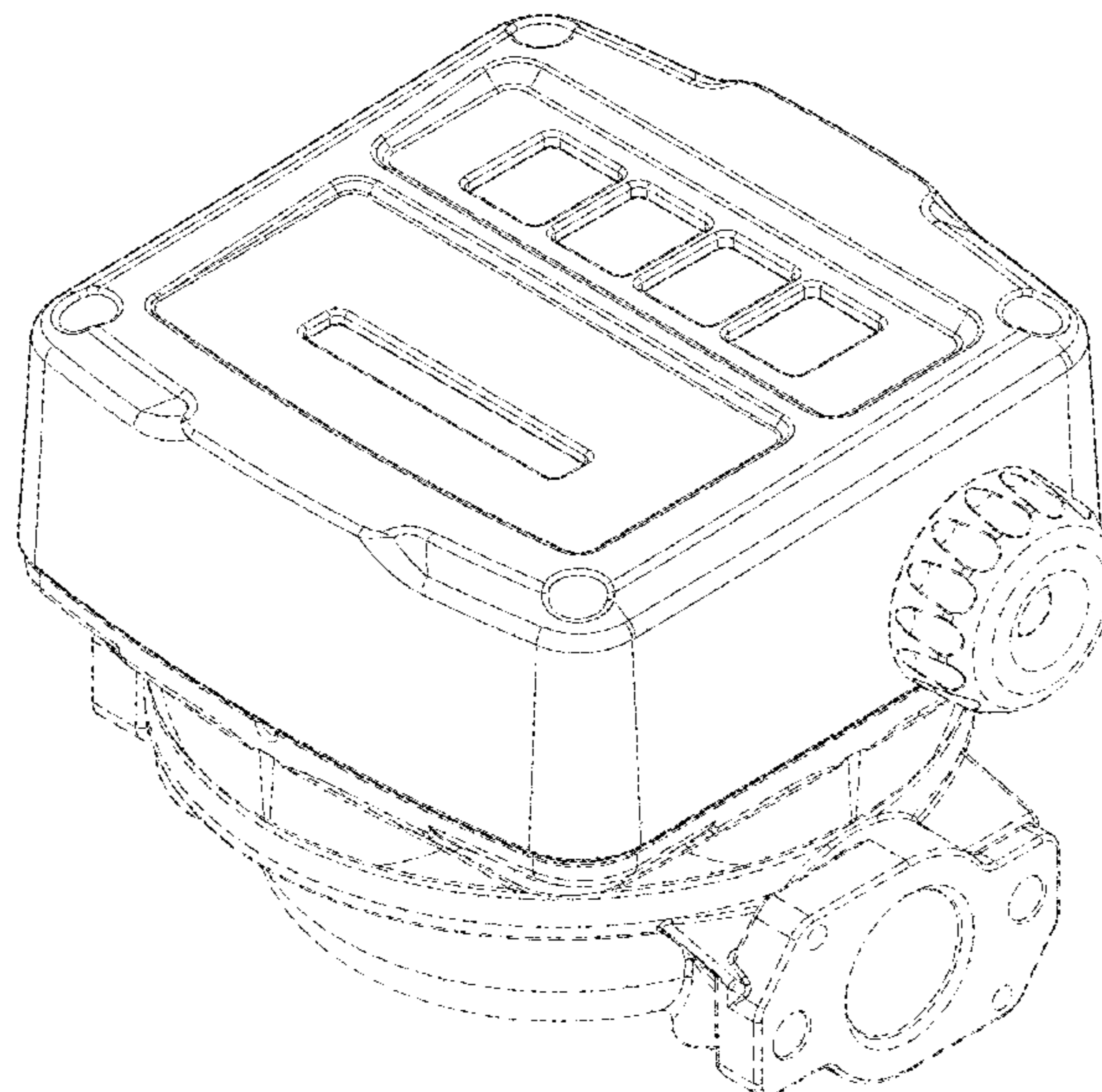
(57) **CLAIM**

The ornamental design for a flowmeter, as shown.

DESCRIPTION

FIG. 1 is a perspective view of a part of the flowmeter showing my new design;
FIG. 2 is a front perspective view thereof;
FIG. 3 is a rear view thereof;
FIG. 4 is a left side view thereof;
FIG. 5 is a right side view thereof;
FIG. 6 is a top view thereof;
FIG. 7 is a bottom plan view thereof; and,
FIG. 8 is a further perspective view thereof.
The broken lines shown in the figures attached hereto are included for the purpose of illustrating portions of the flowmeter that form no part of the claimed design.

1 Claim, 8 Drawing Sheets



(56)

References Cited

U.S. PATENT DOCUMENTS

2021/0360884 A1* 11/2021 Woytowitz H04L 67/125
2022/0099473 A1* 3/2022 Imboccioli G01F 1/667

FOREIGN PATENT DOCUMENTS

CN 307447200 * 3/2022
CN 307579517 * 6/2022
KR 301171287.0000 * 8/2021

* cited by examiner

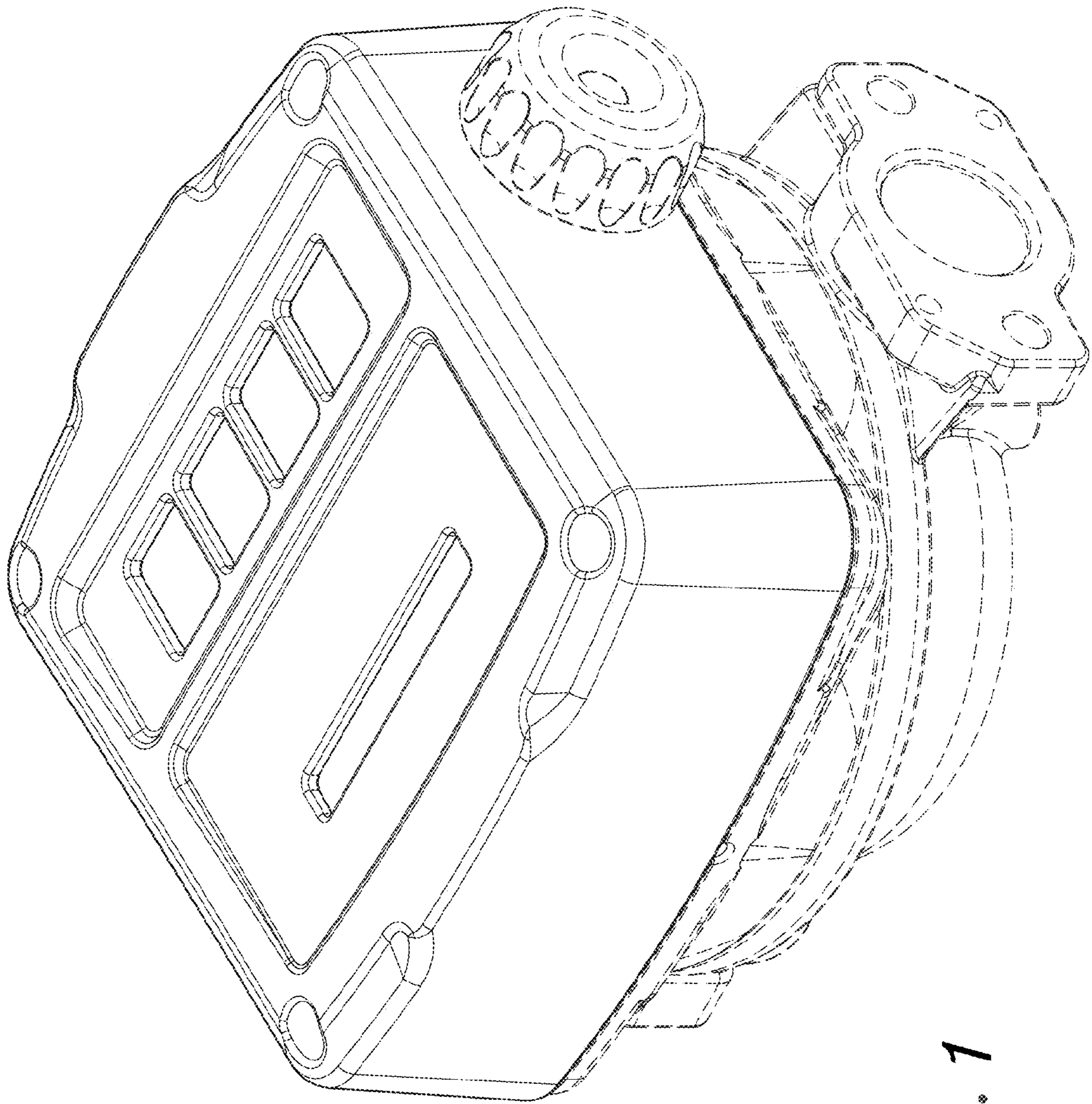


Fig. 1

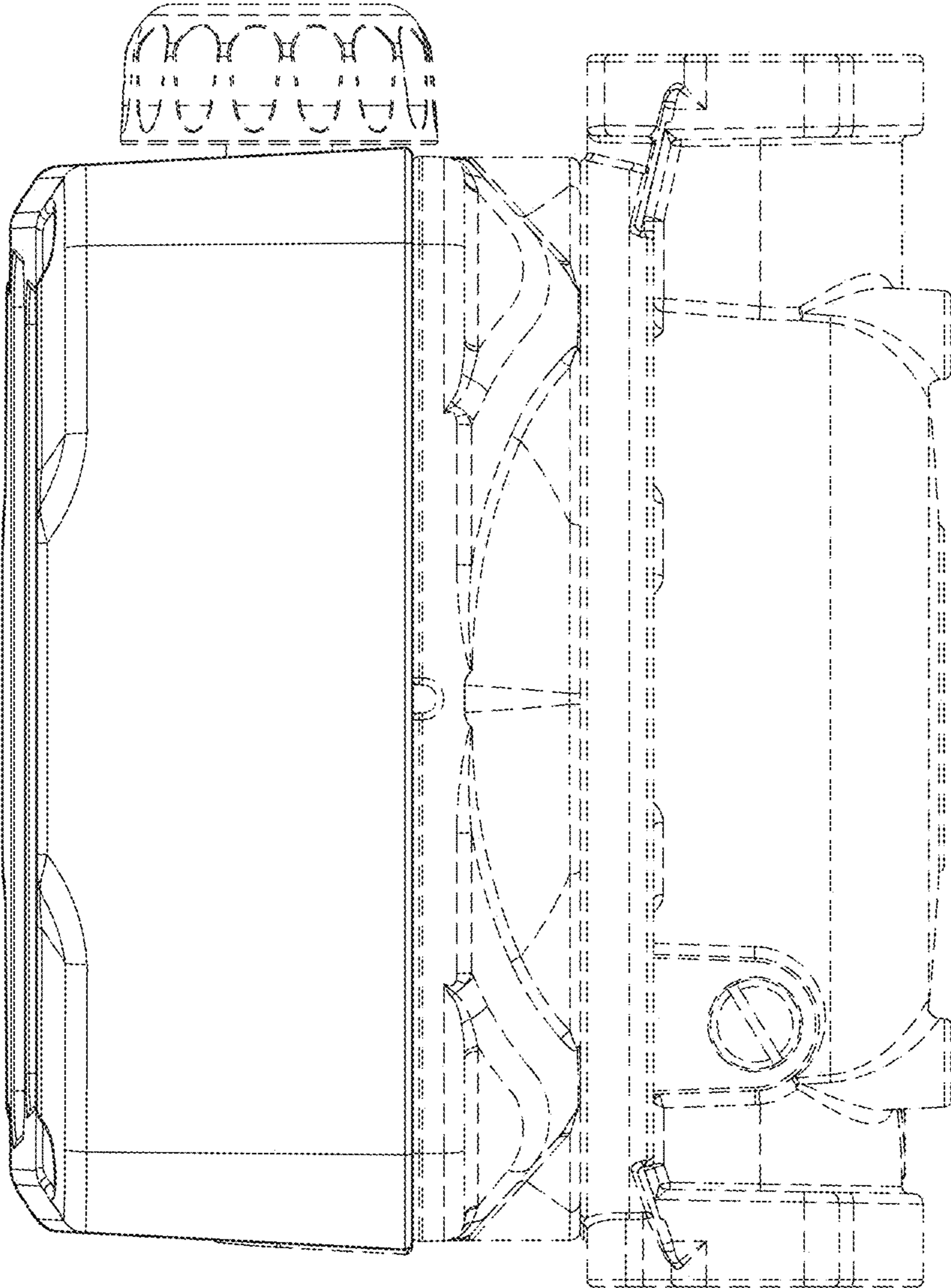


Fig. 2

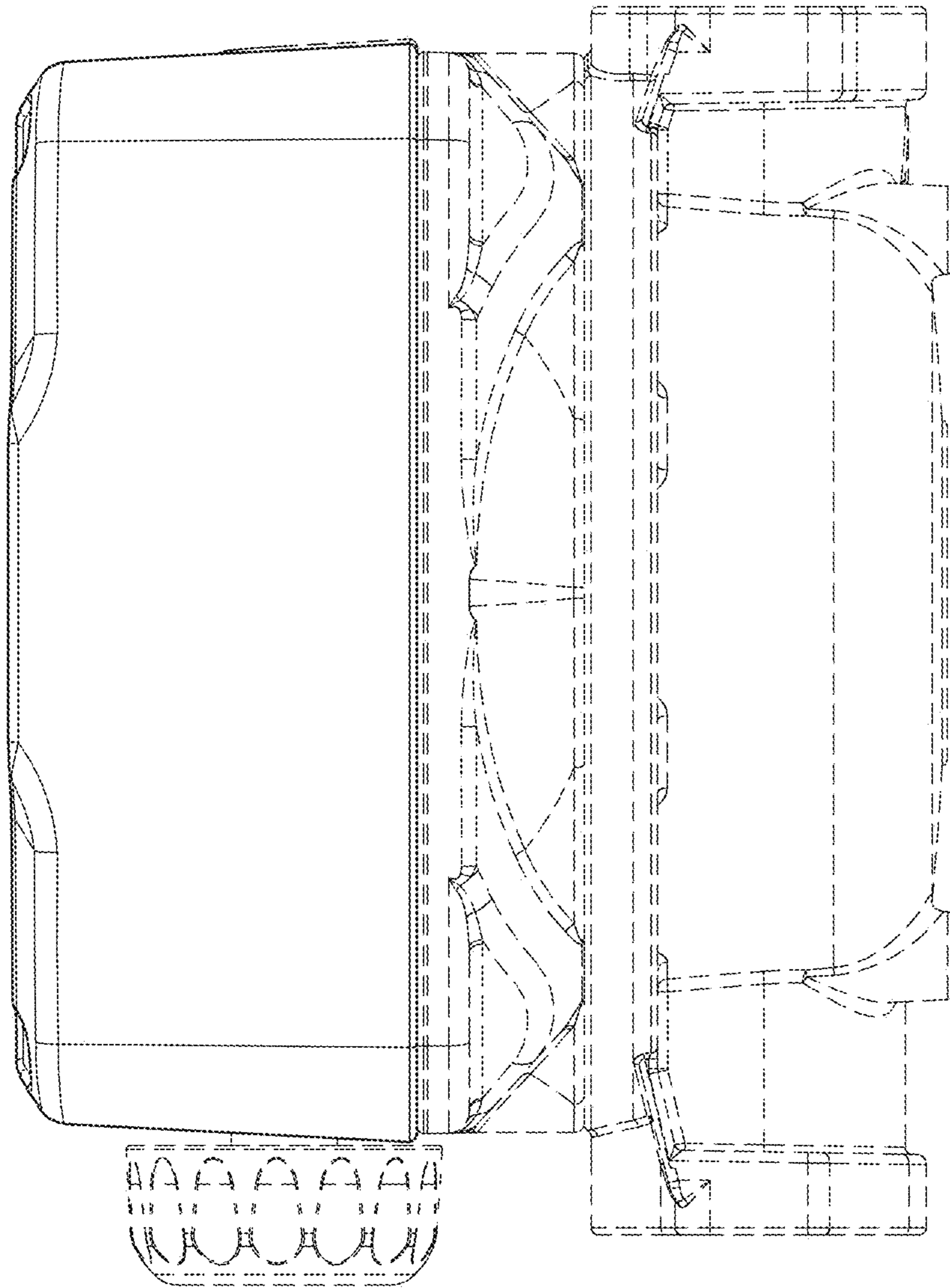


Fig. 3

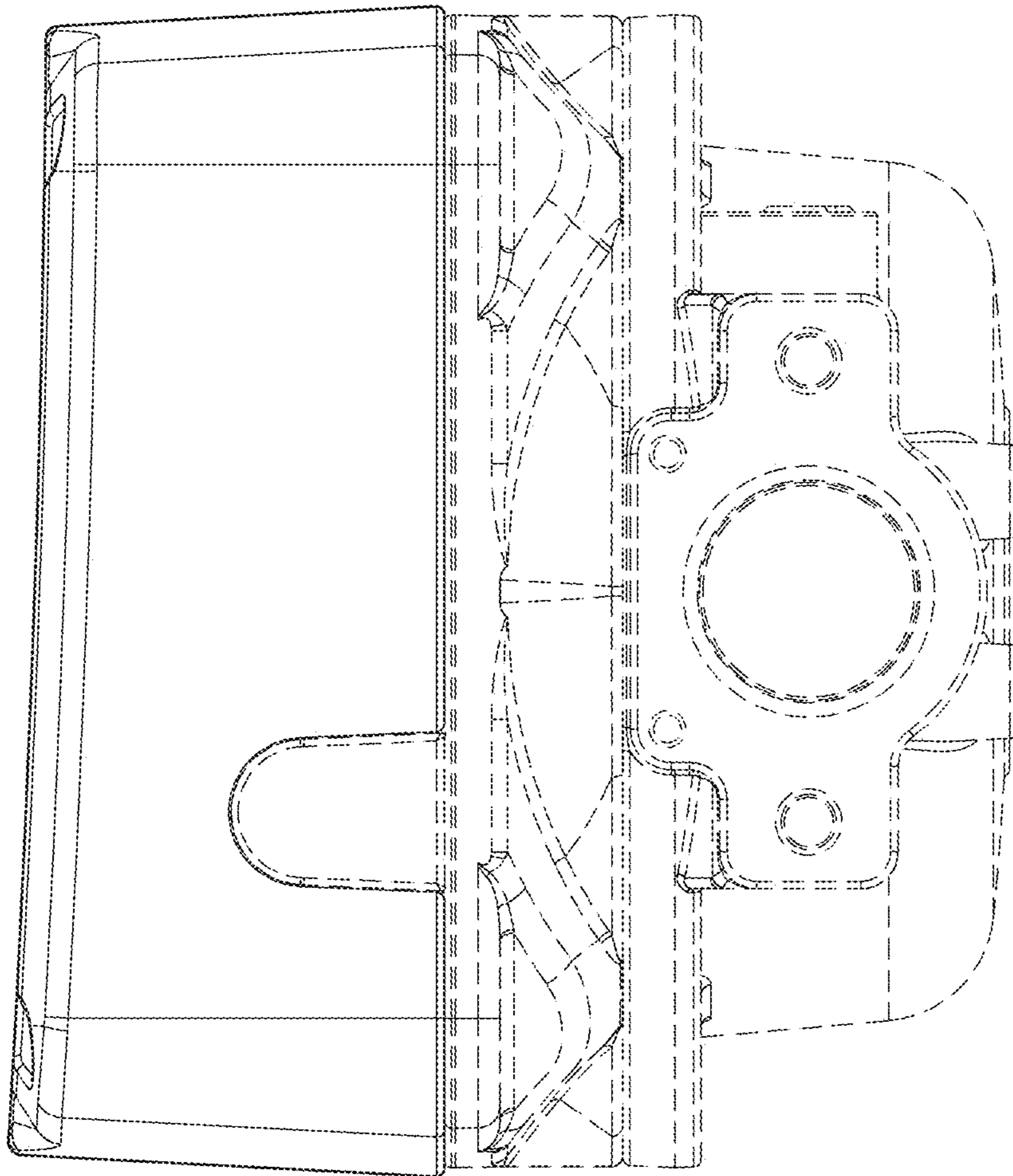


Fig. 4

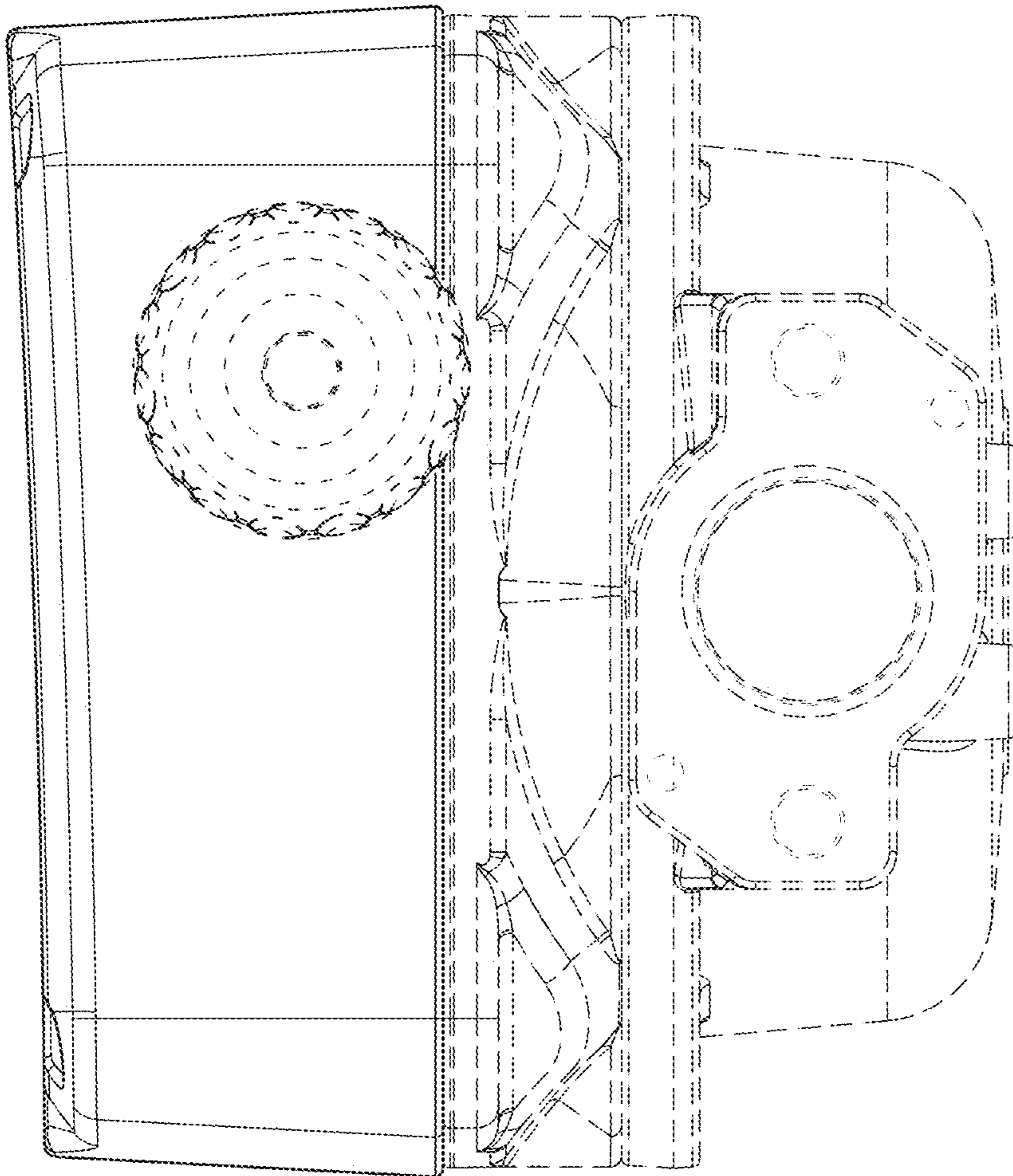


Fig. 5

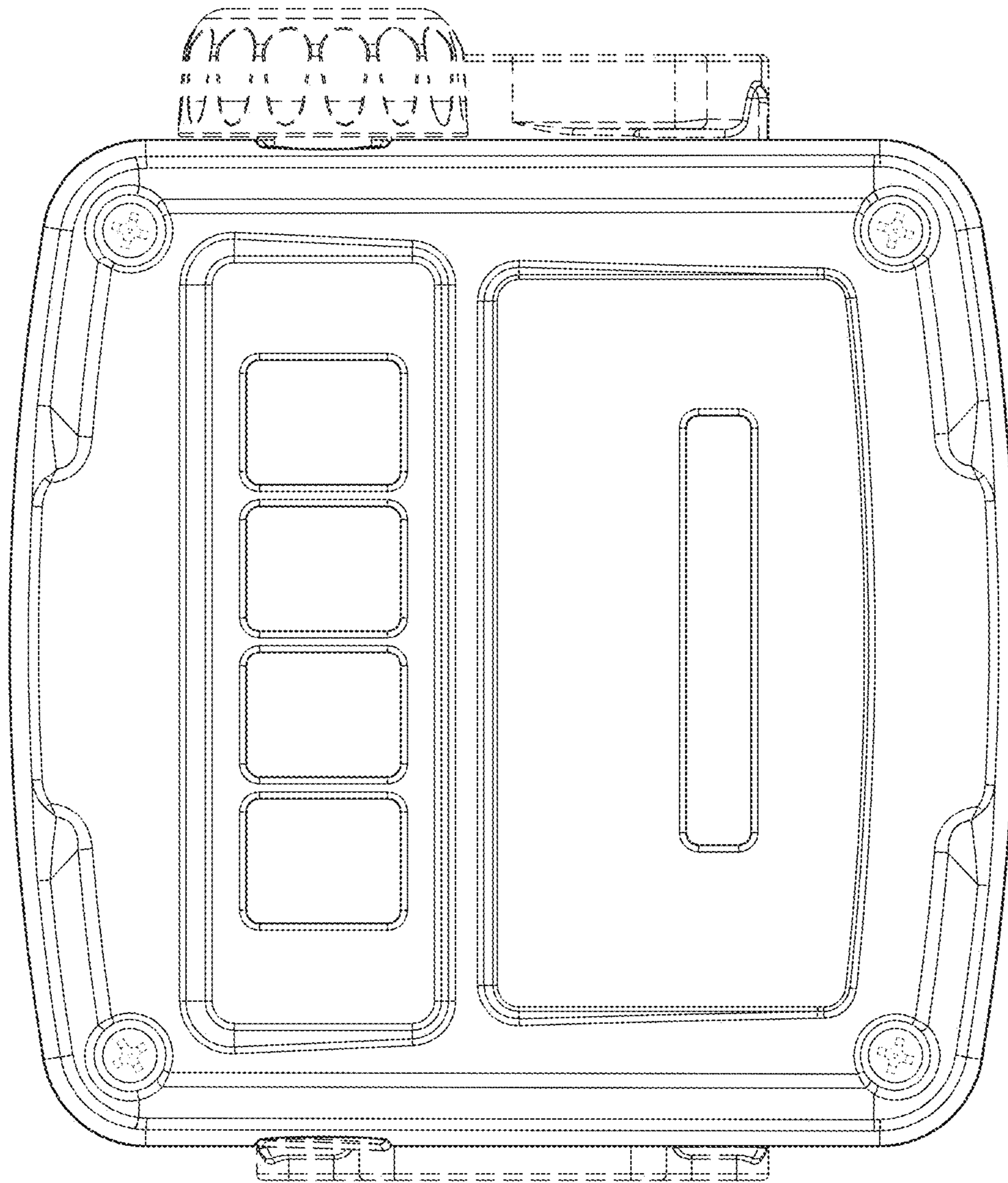


Fig. 6

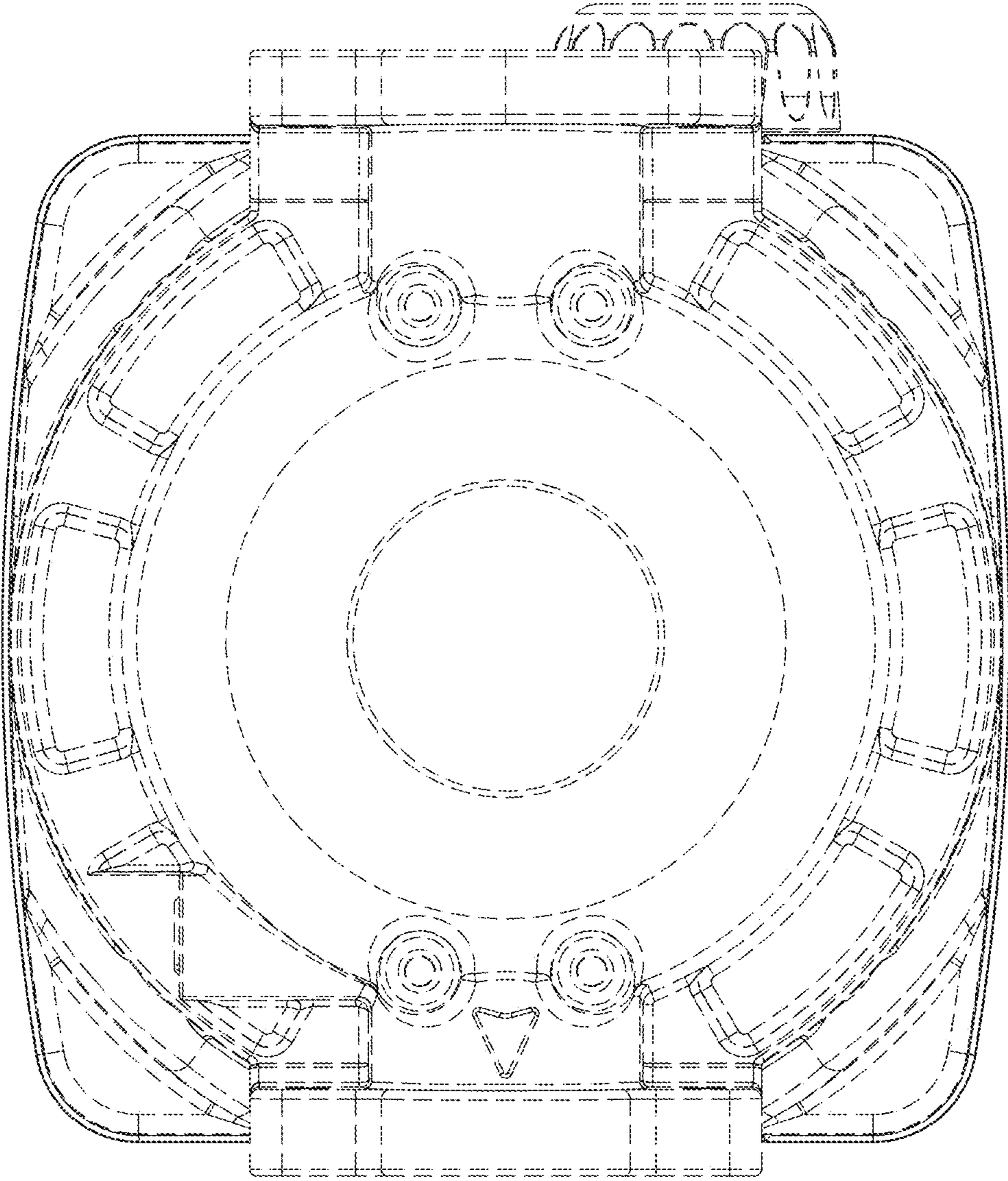


Fig. 7

Fig. 8

