



US00D980096S

(12) **United States Design Patent**
Jiang et al.

(10) **Patent No.:** **US D980,096 S**
(45) **Date of Patent:** **** Mar. 7, 2023**

(54) **DETECTION SYSTEM USING X-RAYS**

(71) Applicants: **Mettler-Toledo (Changzhou) Measurement Technology Ltd.**, Changzhou (CN); **Mettler-Toledo (Changzhou) Precision Instruments Ltd.**, Changzhou (CN); **Mettler-Toledo International Trading (Shanghai) Co., Ltd.**, Shanghai (CN)

(72) Inventors: **Peng Jiang**, Changzhou (CN); **Wanchuan Hu**, Shanghai (CN); **Xu Sun**, Changzhou (CN); **Dongsong Li**, Suzhou (CN); **Liang Zhao**, Shanghai (CN); **Jian Gong**, Changzhou (CN); **Guangteng Zhu**, Changzhou (CN)

(73) Assignees: **Mettler-Toledo (Changzhou) Measurement Technology Ltd.**, Changzhou (CN); **Mettler-Toledo (Changzhou) Precision Instruments Ltd.**, Changzhou (CN); **Mettler-Toledo International Trading (Shanghai) Co., Ltd.**, Shanghai (CN)

(**) Term: **15 Years**

(21) Appl. No.: **29/778,374**

(22) Filed: **Apr. 13, 2021**

(30) **Foreign Application Priority Data**

Oct. 15, 2020 (CN) 202030614384.2

(51) **LOC (14) Cl.** **10-04**

(52) **U.S. Cl.**
USPC **D10/81**

(58) **Field of Classification Search**
USPC D10/47, 81

CPC H01M 8/249; H01M 8/04201; H01M 8/04992; H01M 16/003; H01M 8/0432; H01M 8/04619; H01M 8/04664; H01M 8/04701; H01M 8/04925; H01M 8/04955; H01M 2250/00; H01M 2250/30; Y02B 90/10; Y02E 60/50; H01L 27/10876; H01L 21/3083; H01L 27/0207; H01L 21/76

See application file for complete search history.

(56) **References Cited**

U.S. PATENT DOCUMENTS

11,080,891 B2* 8/2021 Kim G08B 21/043

* cited by examiner

Primary Examiner — Antoine Duval Davis

(74) *Attorney, Agent, or Firm* — Standley Law Group LLP; Jeffrey S. Standley; Adam J. Smith

(57) **CLAIM**

The ornamental design for a detection system using X-rays, as shown and described.

DESCRIPTION

FIG. 1 is a front elevation view of a detection system using X-rays;

FIG. 2 is a rear elevation view thereof;

FIG. 3 is a right side elevation view thereof;

FIG. 4 is a left side elevation view thereof;

FIG. 5 is a top plan view thereof;

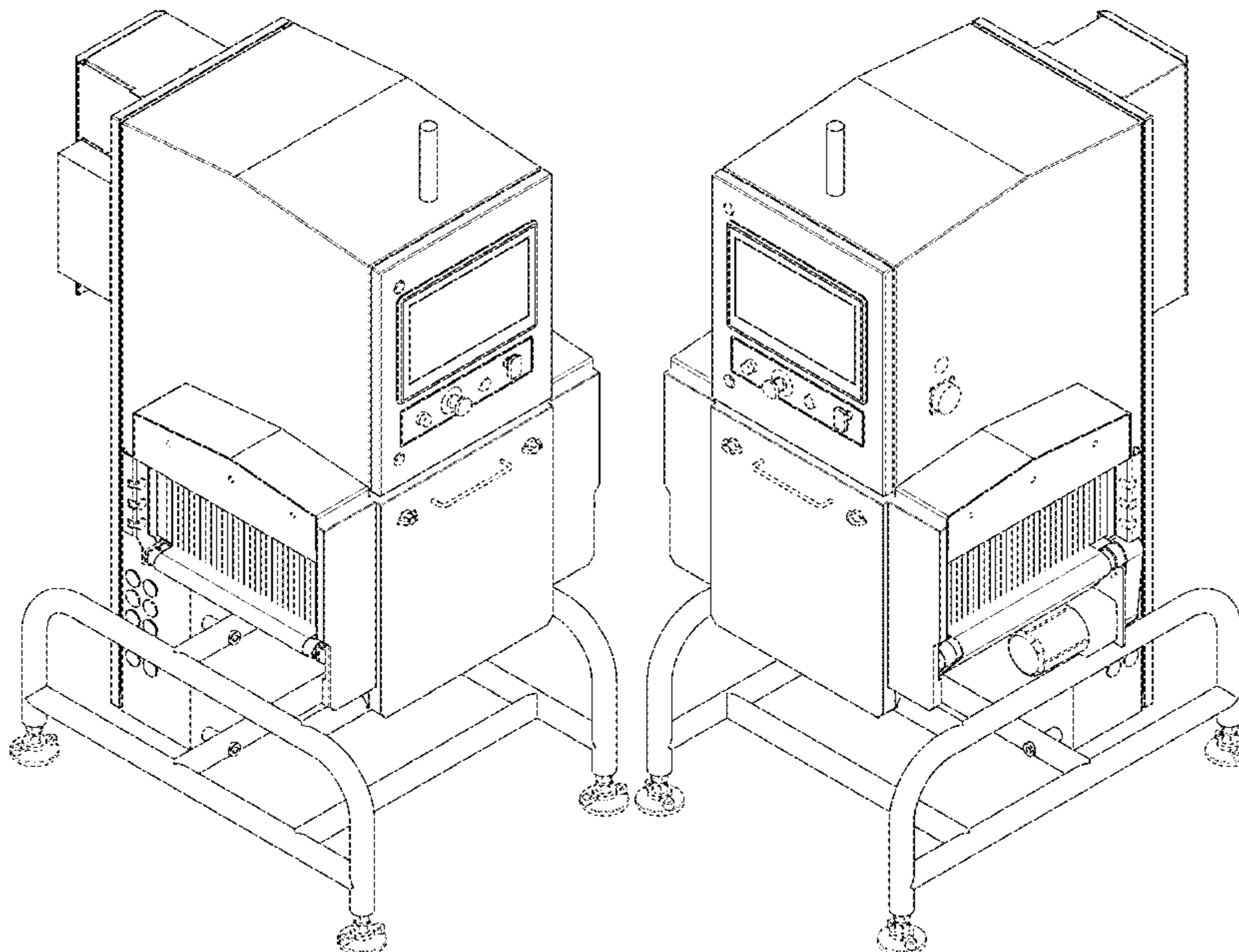
FIG. 6 is a bottom plan view thereof;

FIG. 7 is a right front perspective view thereof; and,

FIG. 8 is a left front perspective view thereof.

The broken lines in the drawings depict parts of the detection system using X-rays that form no part of the claim.

1 Claim, 8 Drawing Sheets



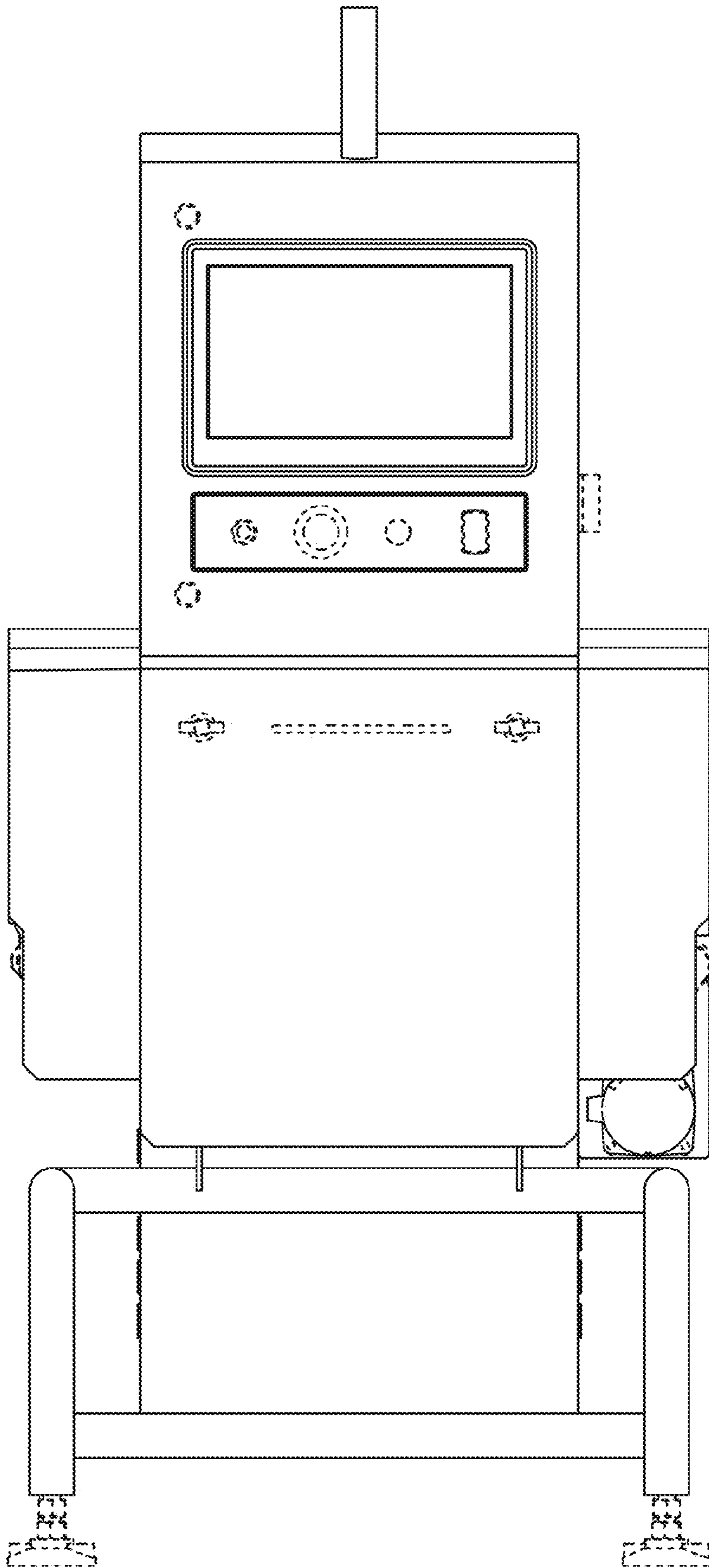


Fig. 1

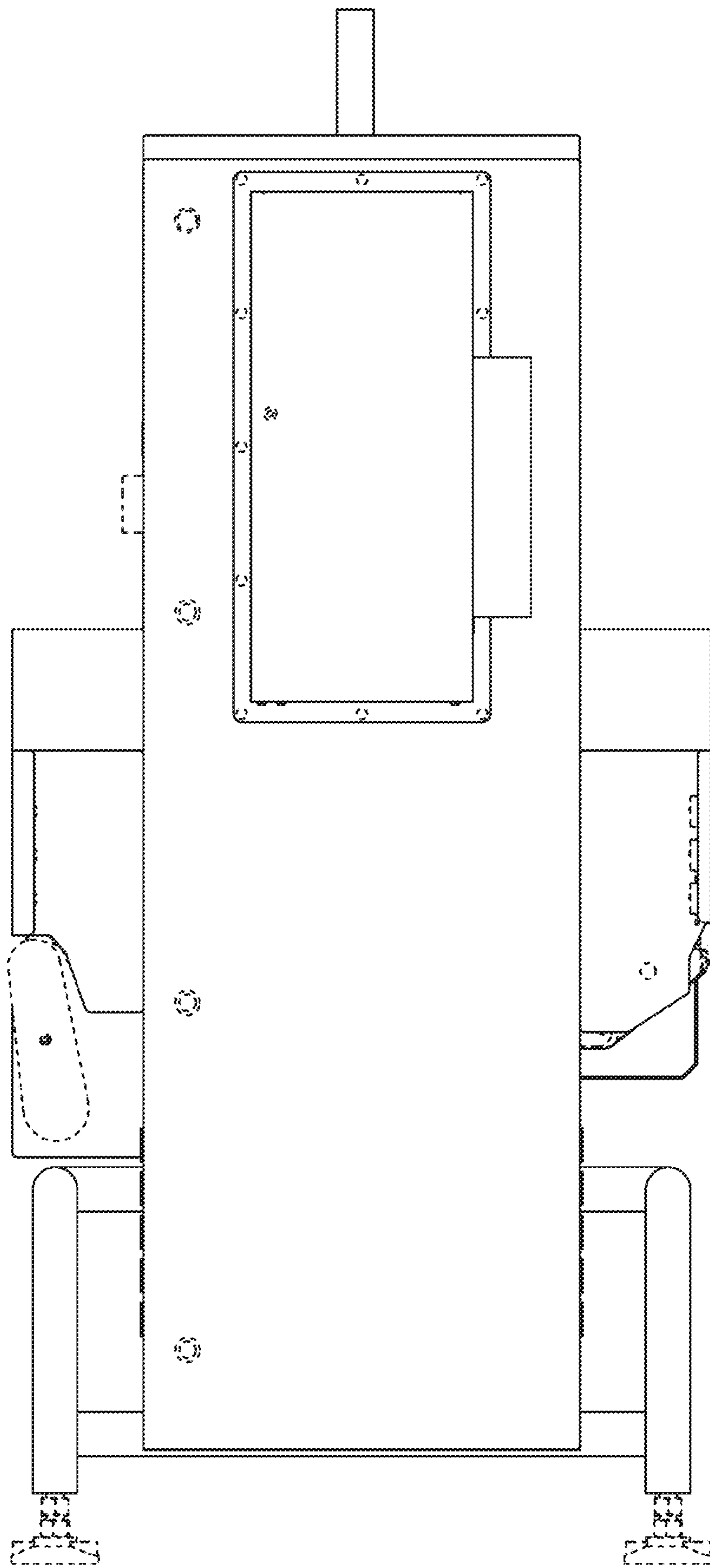


Fig. 2

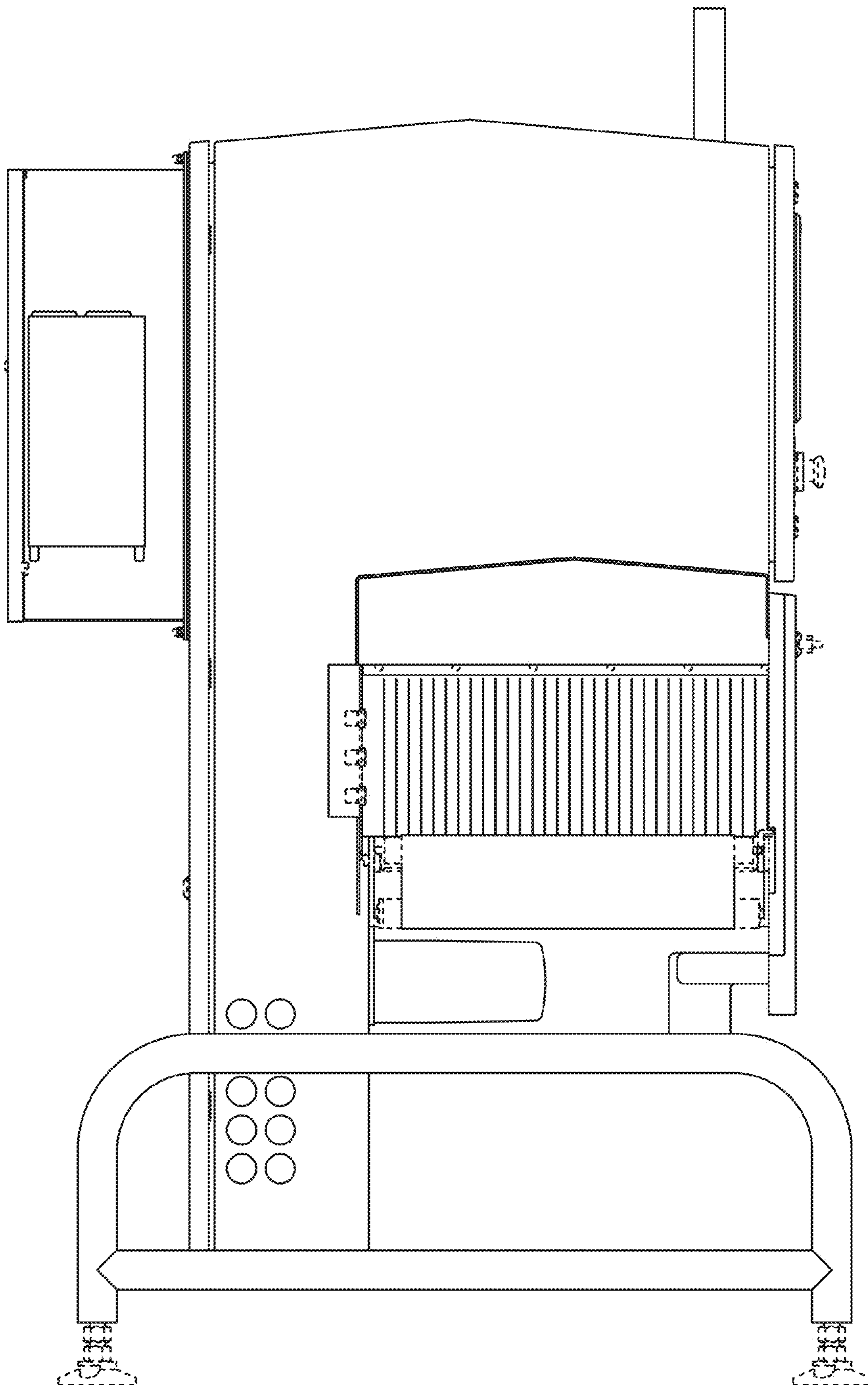


Fig. 3

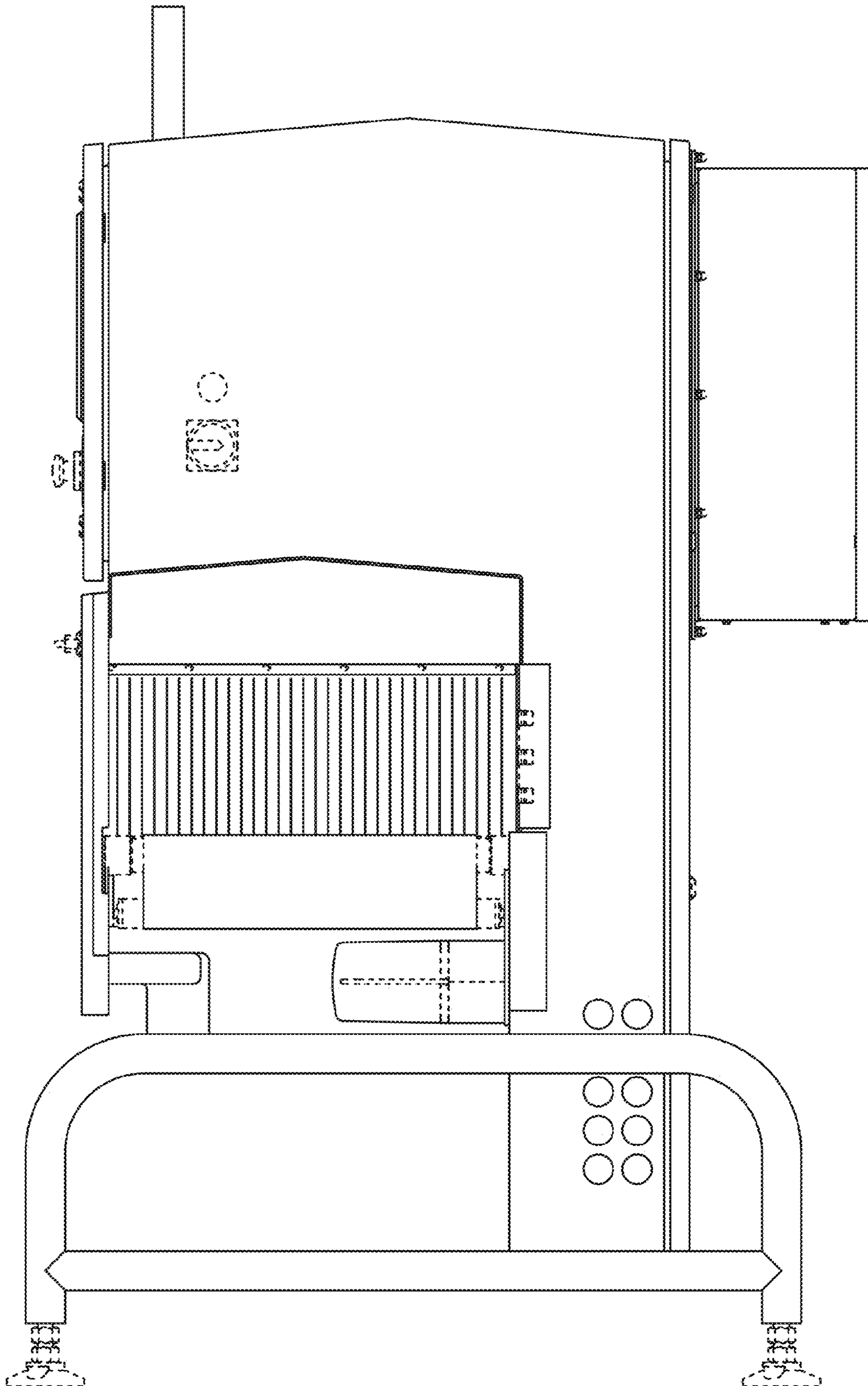


Fig. 4

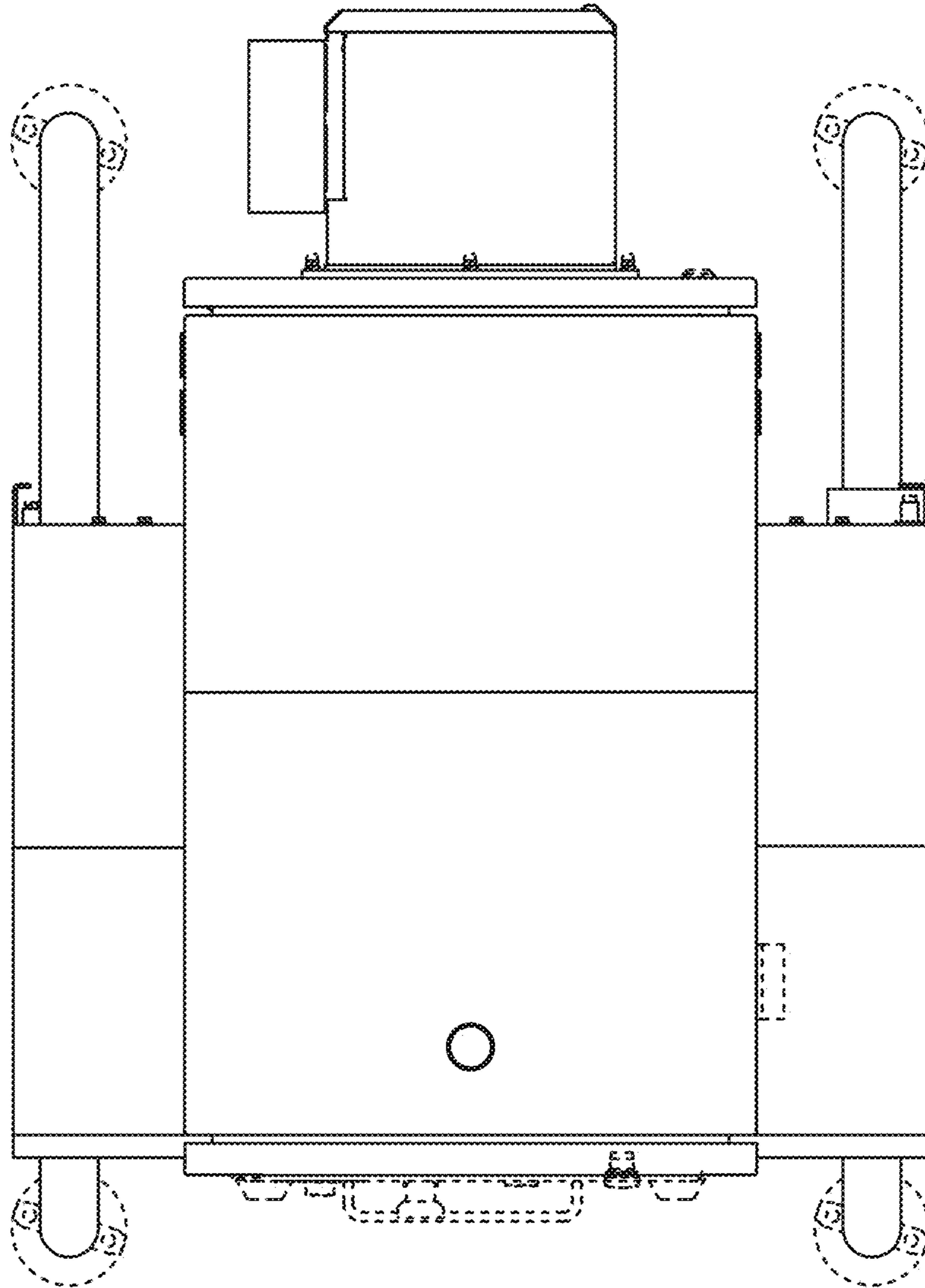


Fig. 5

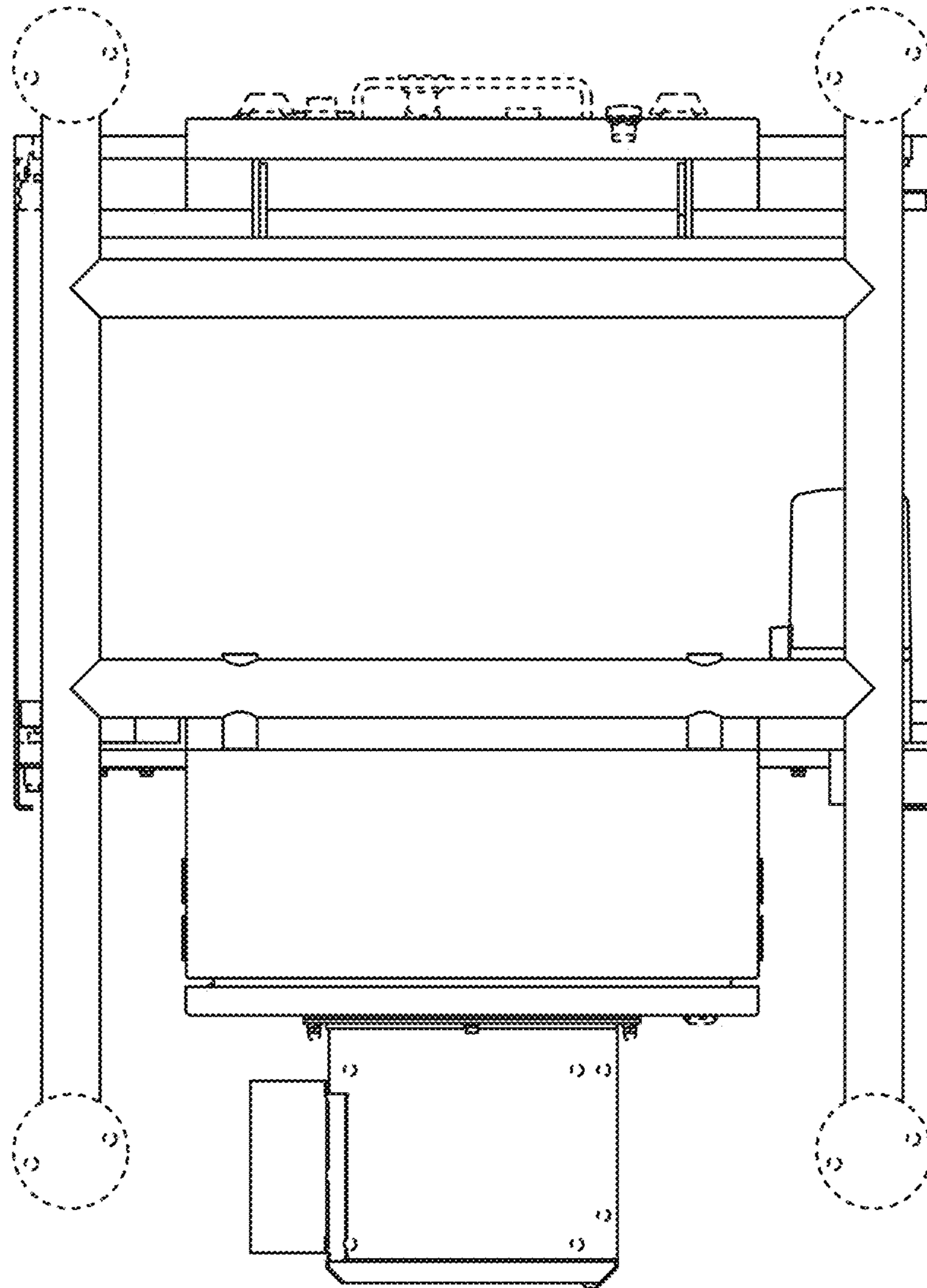


Fig. 6

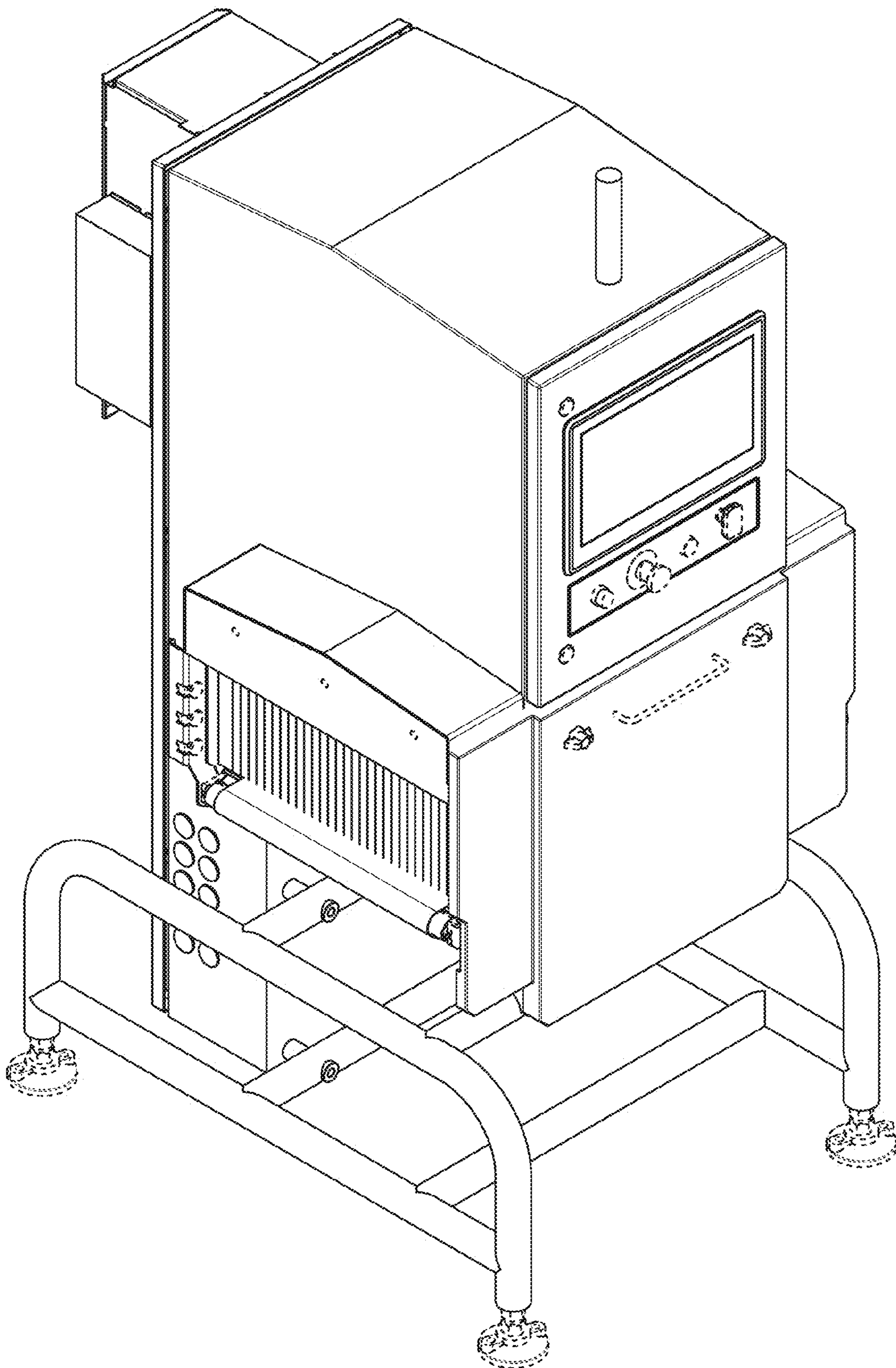


Fig. 7

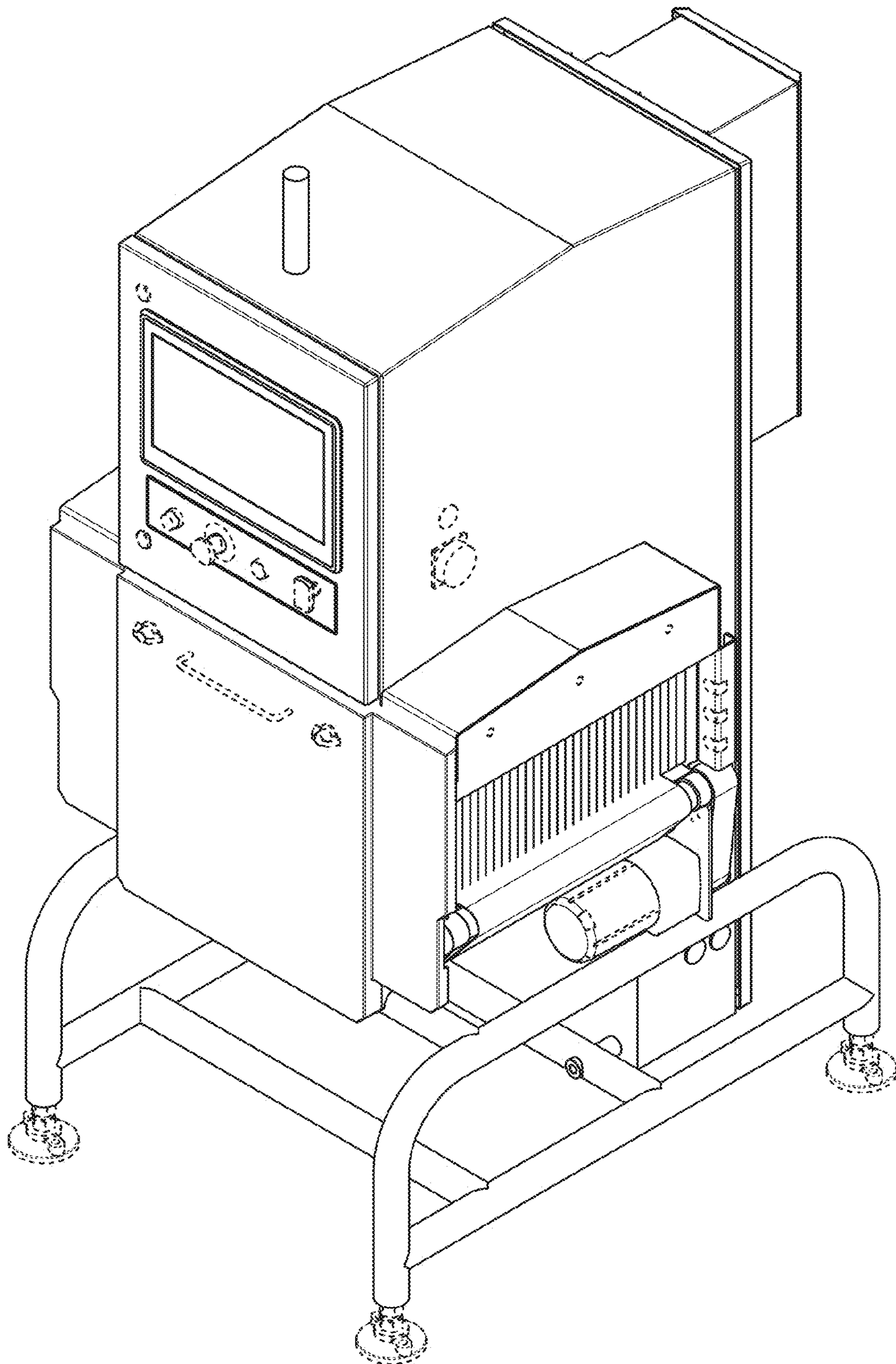


Fig. 8