



US00D980094S

(12) **United States Design Patent**
Oriol

(10) **Patent No.:** **US D980,094 S**
(45) **Date of Patent:** **** Mar. 7, 2023**

- (54) **SENSOR**
- (71) Applicant: **ABB Schweiz AG**, Baden (CH)
- (72) Inventor: **Manuel Oriol**, Baden (CH)
- (73) Assignee: **ABB Schweiz AG**, Baden (CH)
- (**) Term: **15 Years**
- (21) Appl. No.: **29/763,819**
- (22) Filed: **Dec. 24, 2020**
- (30) **Foreign Application Priority Data**
- Jun. 26, 2020 (EM) 008023311-0001
- (51) **LOC (14) Cl.** **10-04**
- (52) **U.S. Cl.**
- USPC **D10/75; D10/78**
- (58) **Field of Classification Search**
- USPC D10/75, 78

(Continued)

- (56) **References Cited**
- U.S. PATENT DOCUMENTS**
- D260,085 S * 8/1981 Mitchell D10/78
- 4,694,408 A * 9/1987 Zaleski G01R 31/007
- 701/99

(Continued)

OTHER PUBLICATIONS

ABB, ABB Ability™ Smart Sensor: User guide for Smart Sensor Platform app and web portal, product brochure, 117 pp. (Nov. 18, 2020).

(Continued)

Primary Examiner — Antoine Duval Davis

(74) *Attorney, Agent, or Firm* — Leydig, Voit & Mayer, Ltd.

(57) **CLAIM**

The ornamental design for a sensor, as shown and described.

DESCRIPTION

The patent or application file contains at least one drawing executed in color. Copies of this patent or patent application publication with color drawing(s) will be provided by the Office upon request and payment of the necessary fee.

FIG. 1 is a front side perspective view of a sensor.

FIG. 2 is a rear side perspective view of the sensor shown in FIG. 1.

FIG. 3 is a front side view of the sensor shown in FIG. 1.

FIG. 4 is a rear side view of the sensor shown in FIG. 1.

FIG. 5 is a right side view of the sensor shown in FIG. 1, the left side of the sensor being identical to or a mirror image of the right side of the sensor.

FIG. 6 is a top view of the sensor shown in FIG. 1.

FIG. 7 is a bottom view of the sensor shown in FIG. 1.

The attached Appendix includes reference views relating to the present design. The color shown in the figures in the Appendix forms no part of the claimed design.

FIG. 8 is a front side perspective view of the sensor of FIG. 1 shown in color.

FIG. 9 is a front side view of the sensor of FIG. 1 shown in color.

FIG. 10 is a right side view of the sensor of FIG. 1 shown in color, the left side of the sensor being identical to or a mirror image of the right side of the sensor.

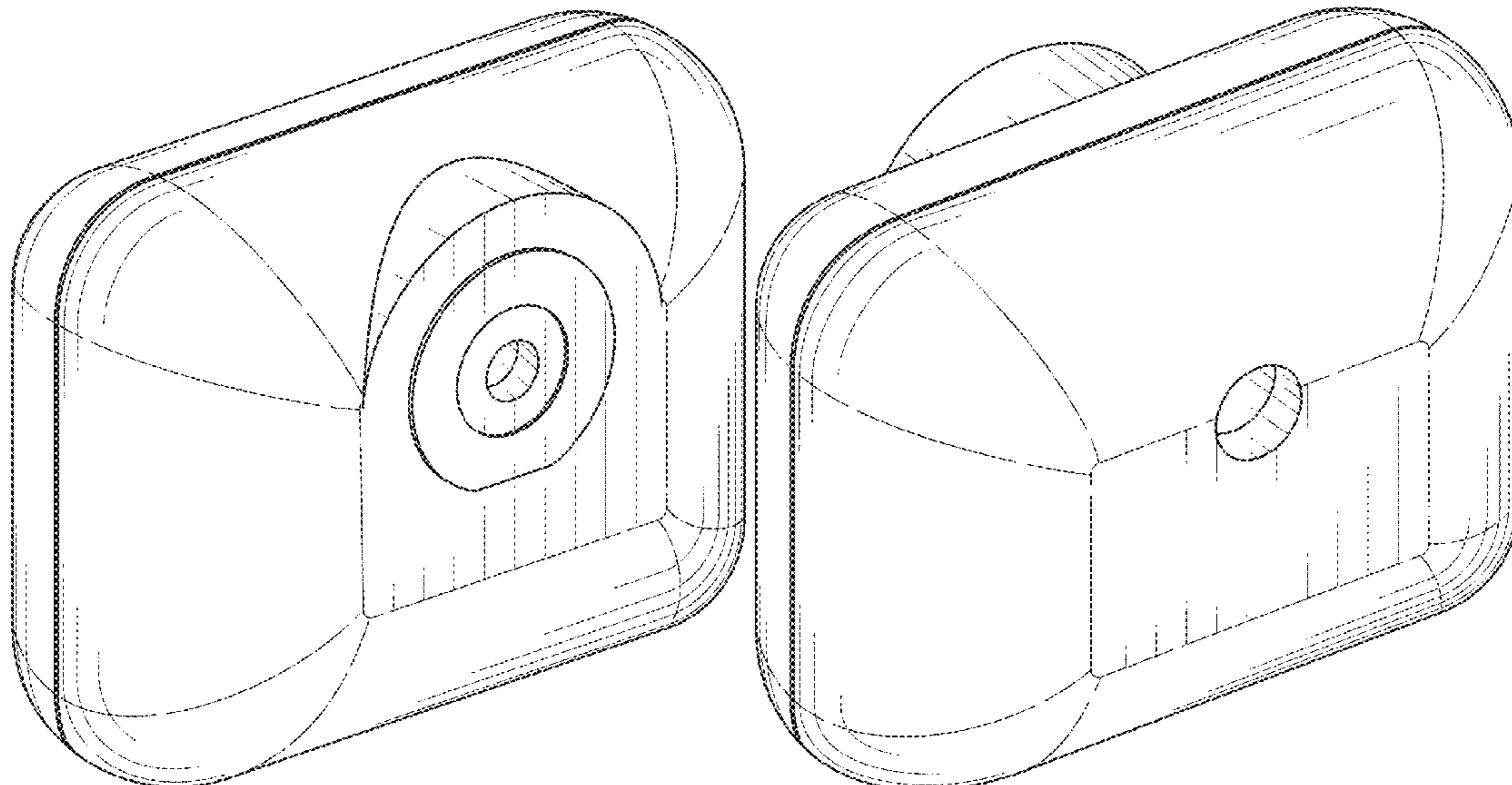
FIG. 11 is a rear side perspective view of the sensor of FIG. 1 shown in color.

FIG. 12 is a rear side view of the sensor of FIG. 1 shown in color.

FIG. 13 is a top view of the sensor of FIG. 1 shown in color; and,

FIG. 14 is a bottom view of the sensor of FIG. 1 shown in color.

1 Claim, 12 Drawing Sheets
(7 of 12 Drawing Sheet(s) Filed in Color)



(58) Field of Classification Search

CPC F02P 17/00; F02P 17/08; F02P 2017/006;
 F02P 2017/08; G01M 15/00; G01M
 15/04; G01M 15/05; G01M 15/042;
 G01M 15/044; G01M 15/046; G01M
 15/048; G01M 15/06; G01M 15/08;
 G01M 15/09; G01M 15/10; G01M
 15/102; G01M 15/104; G01M 15/106;
 G01M 15/108; G01M 15/11; G01M
 15/12; G01L 19/08; G01L 19/083; G01L
 19/086; G01L 19/10; G01L 19/12; G01L
 19/14; G01L 19/141; G01L 19/142; G01L
 19/143; G01L 19/144; G01L 19/45; G01L
 19/146; G01L 19/147; G01L 19/148;
 G01L 19/149; G01L 19/16; G07C 5/00;
 G07C 5/002; G07C 5/004; G07C 5/006;
 G07C 5/008; G07C 5/02; G07C 5/04;
 G07C 5/06; G07C 5/08; G07C 5/0808;
 G07C 5/0816; G07C 5/0825; G07C
 5/0833; G07C 5/0841; G07C 5/085;
 G07C 5/0858; G07C 5/0866; G07C
 5/0875; G07C 5/0883; G07C 5/0891;
 G07C 5/10

See application file for complete search history.

(56)

References Cited

U.S. PATENT DOCUMENTS

| | | | | | | |
|----------|---|---|---------|----------|-------|-----------------------|
| D575,174 | S | * | 8/2008 | Morel | | D10/78 |
| D725,520 | S | * | 3/2015 | Varacca | | D10/78 |
| D727,765 | S | * | 4/2015 | Hoshal | | D10/78 |
| D773,326 | S | * | 12/2016 | Lei | | D10/78 |
| D773,945 | S | * | 12/2016 | Lei | | D10/78 |
| D783,432 | S | * | 4/2017 | Lei | | D10/78 |
| D885,947 | S | * | 6/2020 | Sciepiet | | D10/75 |
| D951,948 | S | * | 5/2022 | Shen | | D10/75 |
| D951,950 | S | * | 5/2022 | Shen | | D10/75 |
| D951,951 | S | * | 5/2022 | Shen | | D10/75 |
| D963,498 | S | * | 9/2022 | Gao | | G01R 31/007 D10/78 |

OTHER PUBLICATIONS

ABB, ABB Ability™ Digital Powertrain: Condition monitoring of rotating equipment fitted with ABB Ability™ Smart Sensors, product brochure, 4 pp. (Aug. 2022).

ABB, ABB Ability™ Smart Sensor for hazardous areas: Installation with flat surface mount, product brochure, 4 pp. (Mar. 2021).

* cited by examiner

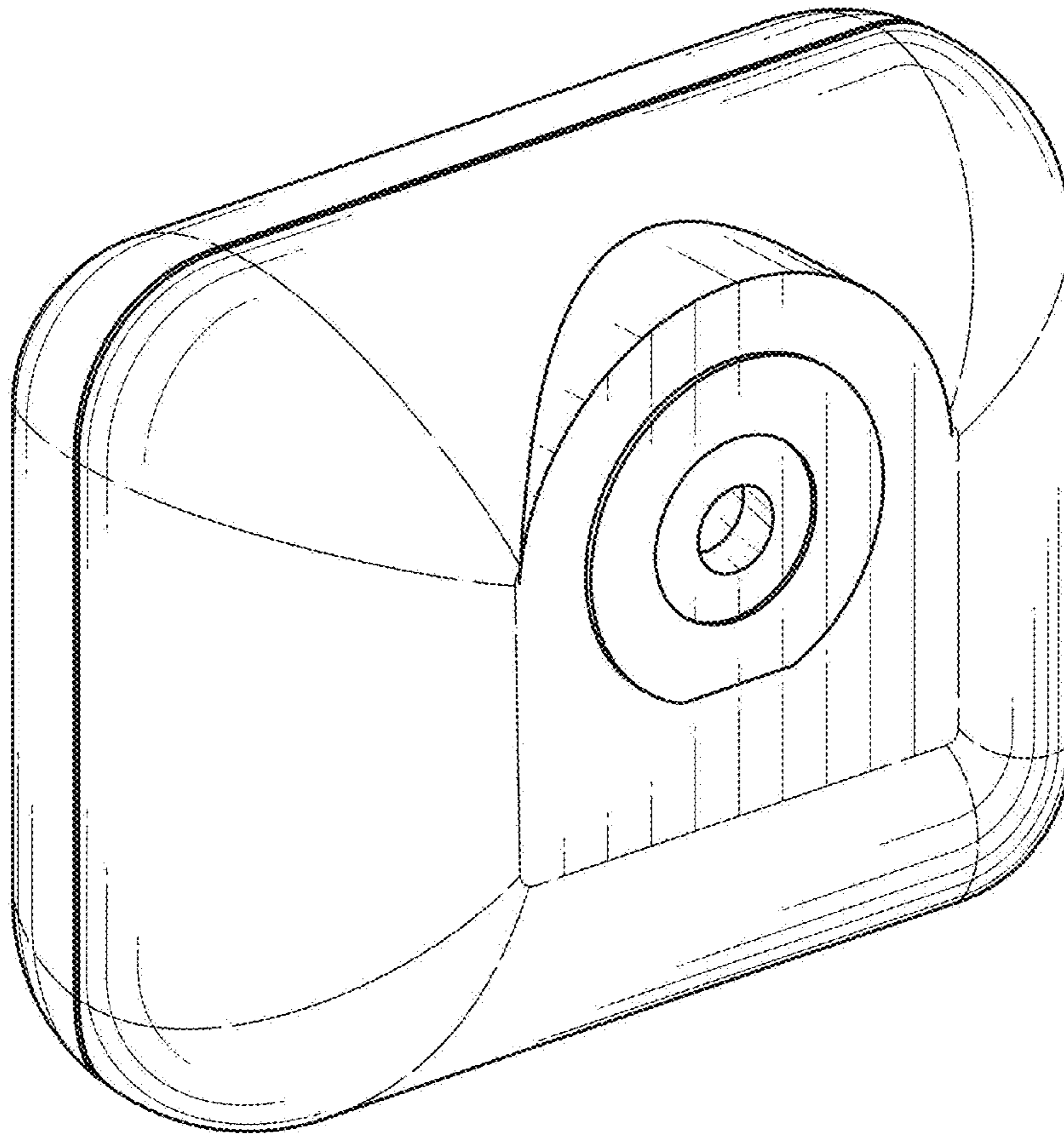


FIG. 1

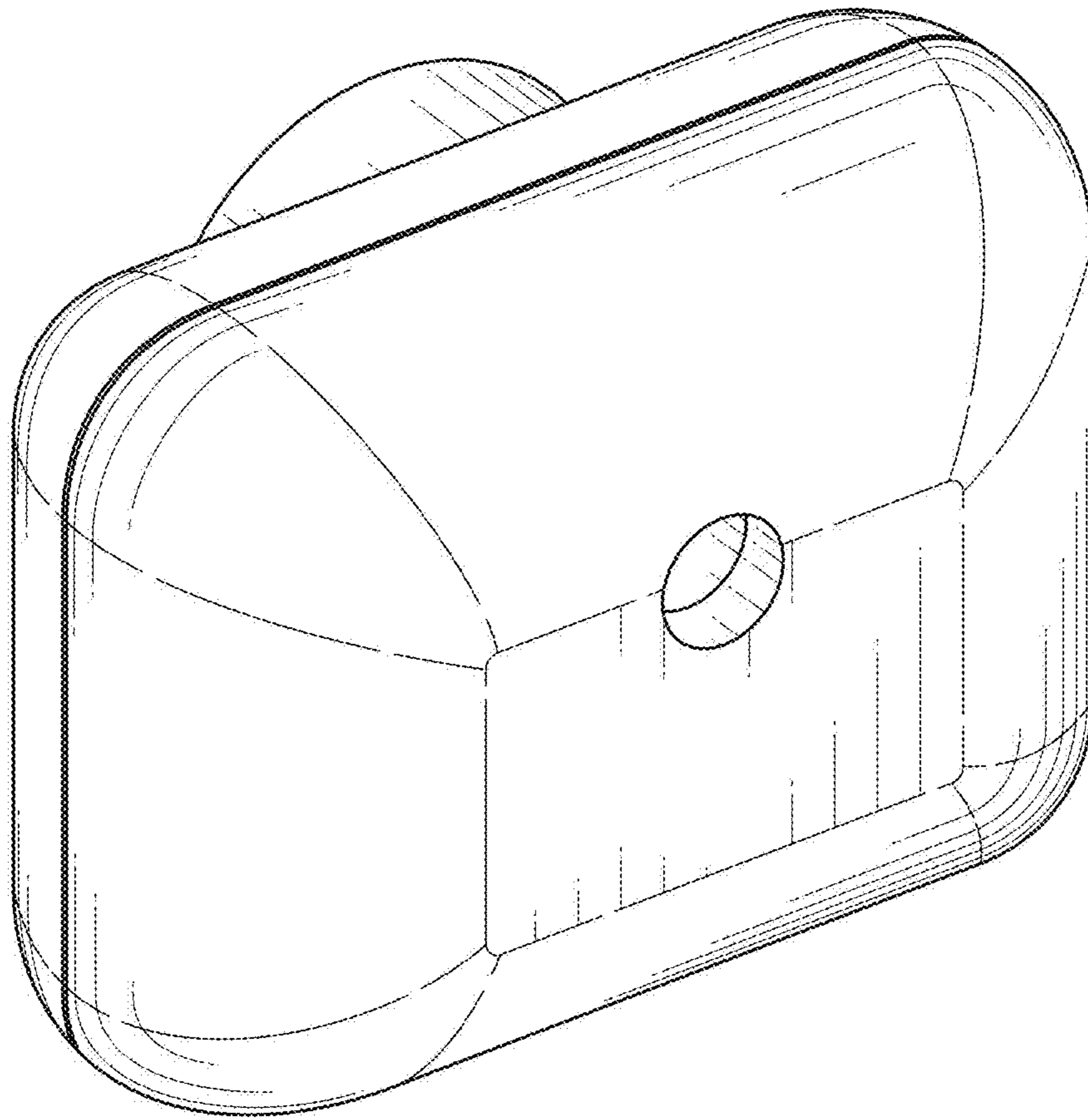


FIG. 2

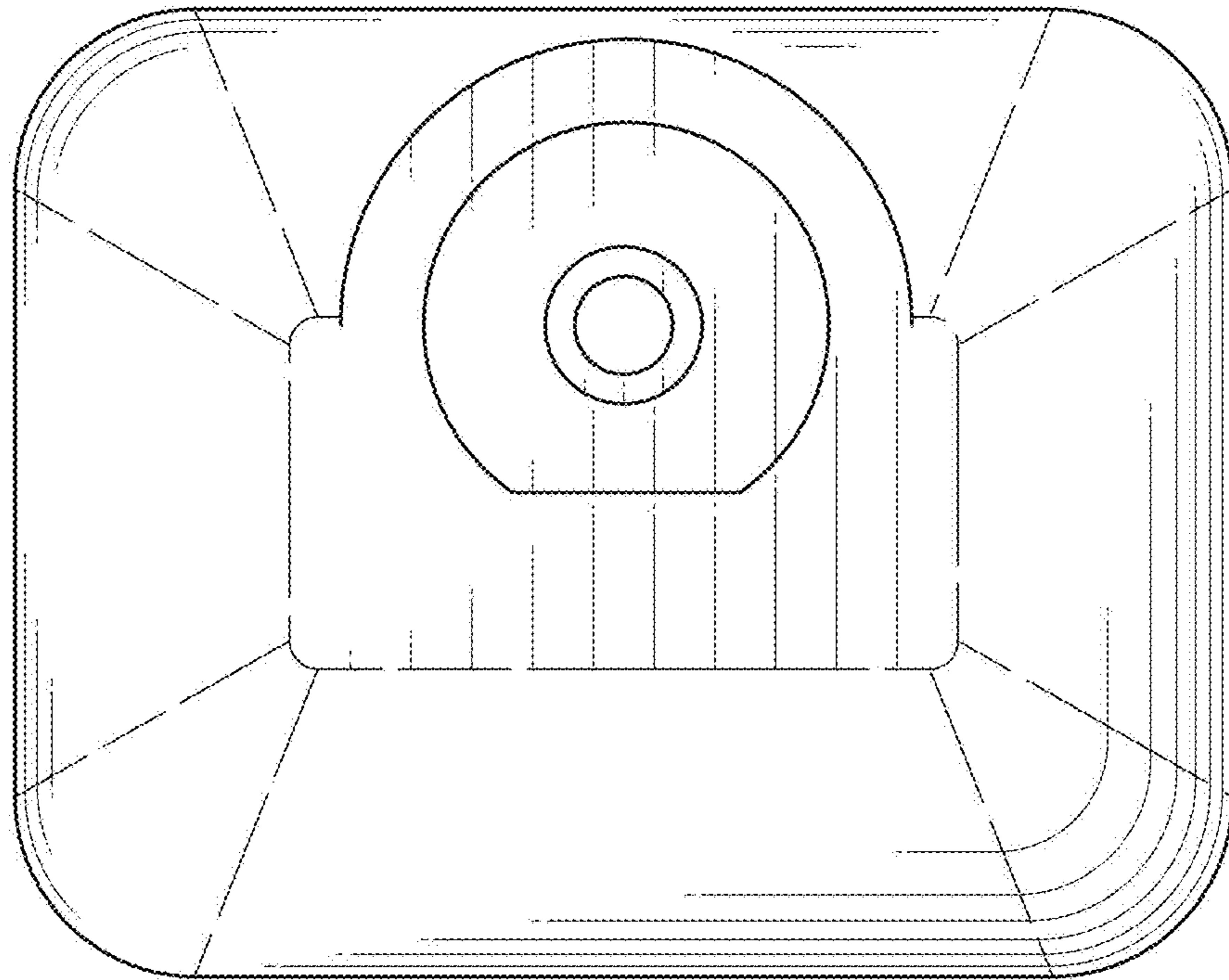


FIG. 3

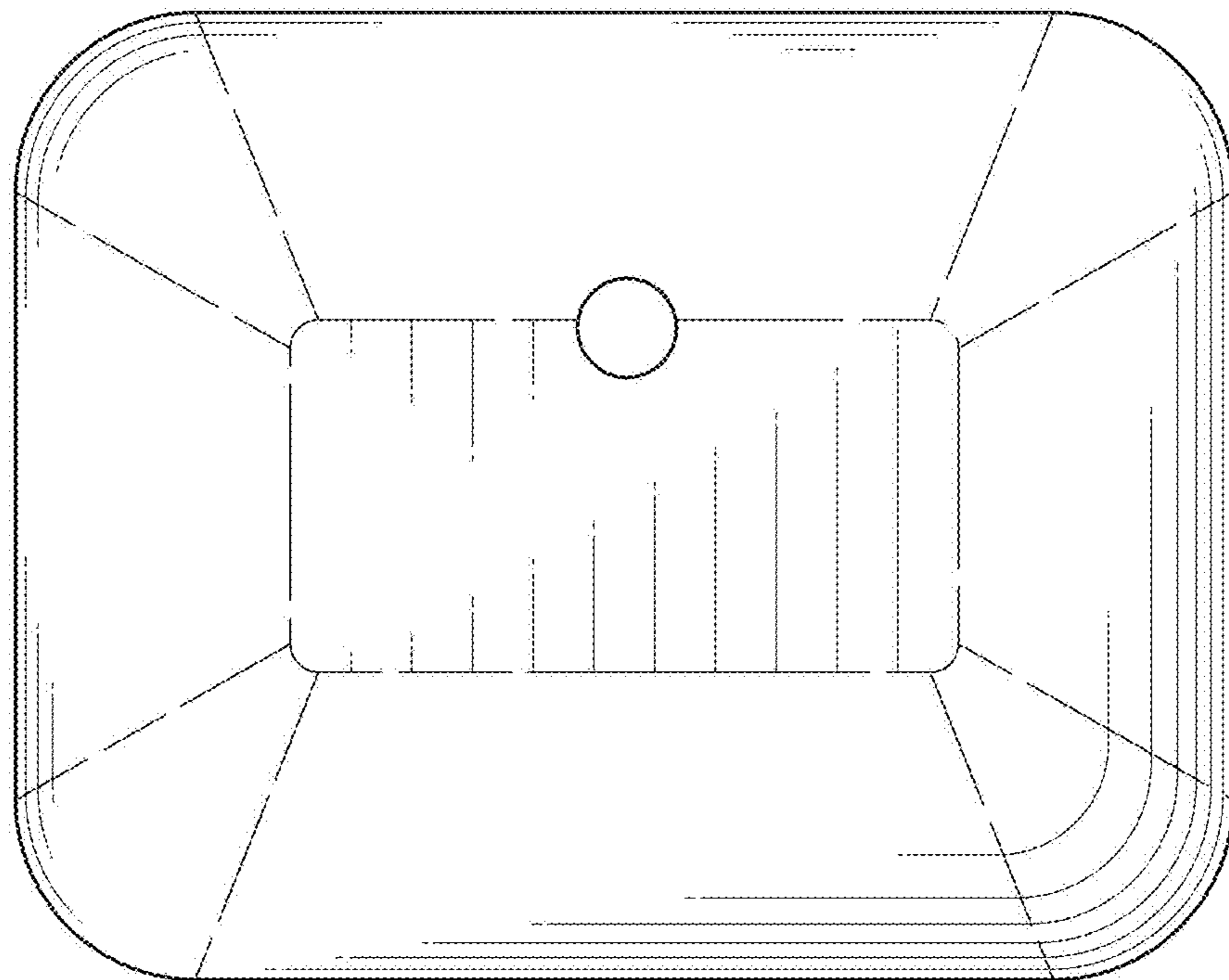


FIG. 4

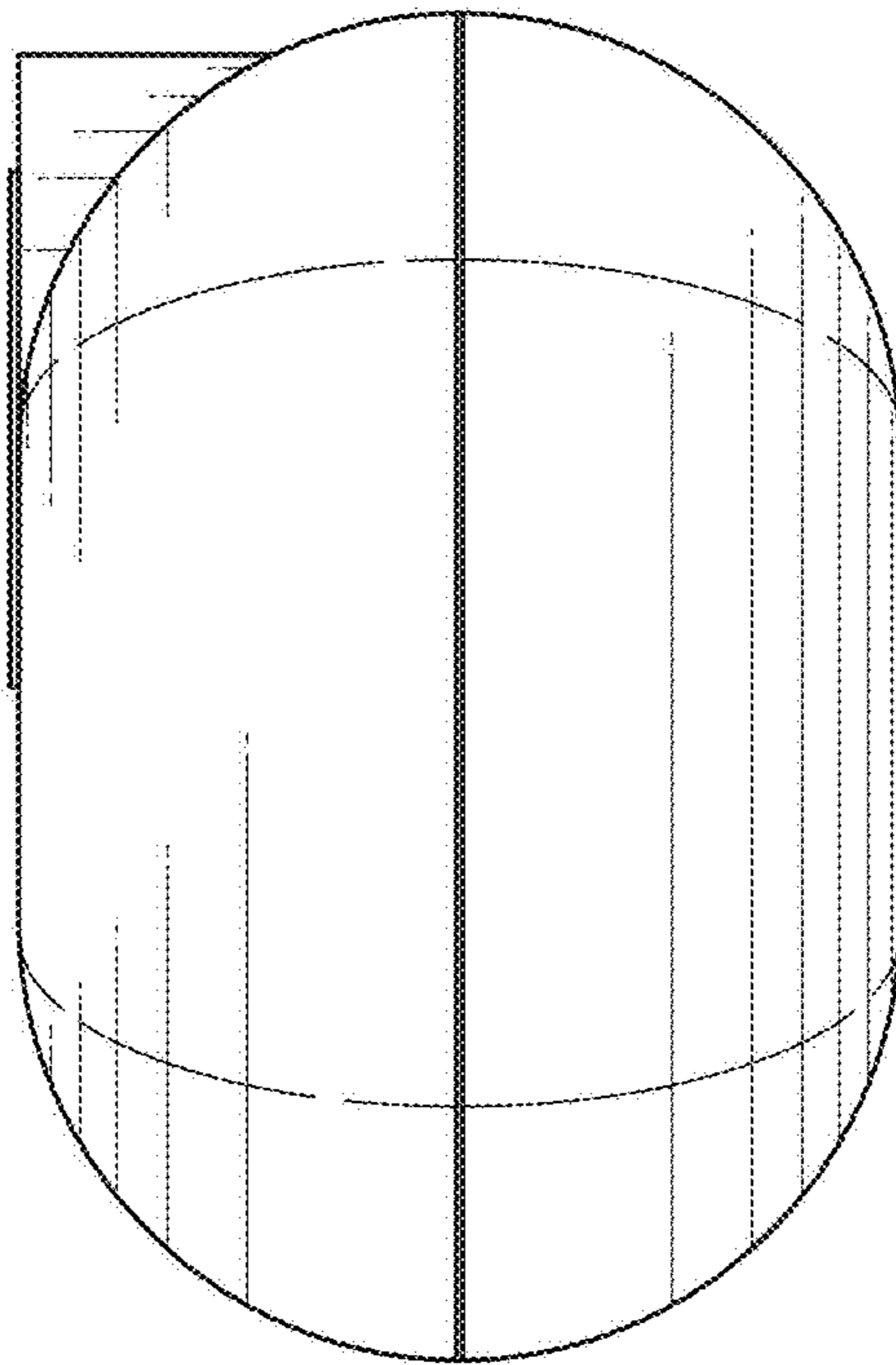


FIG. 5

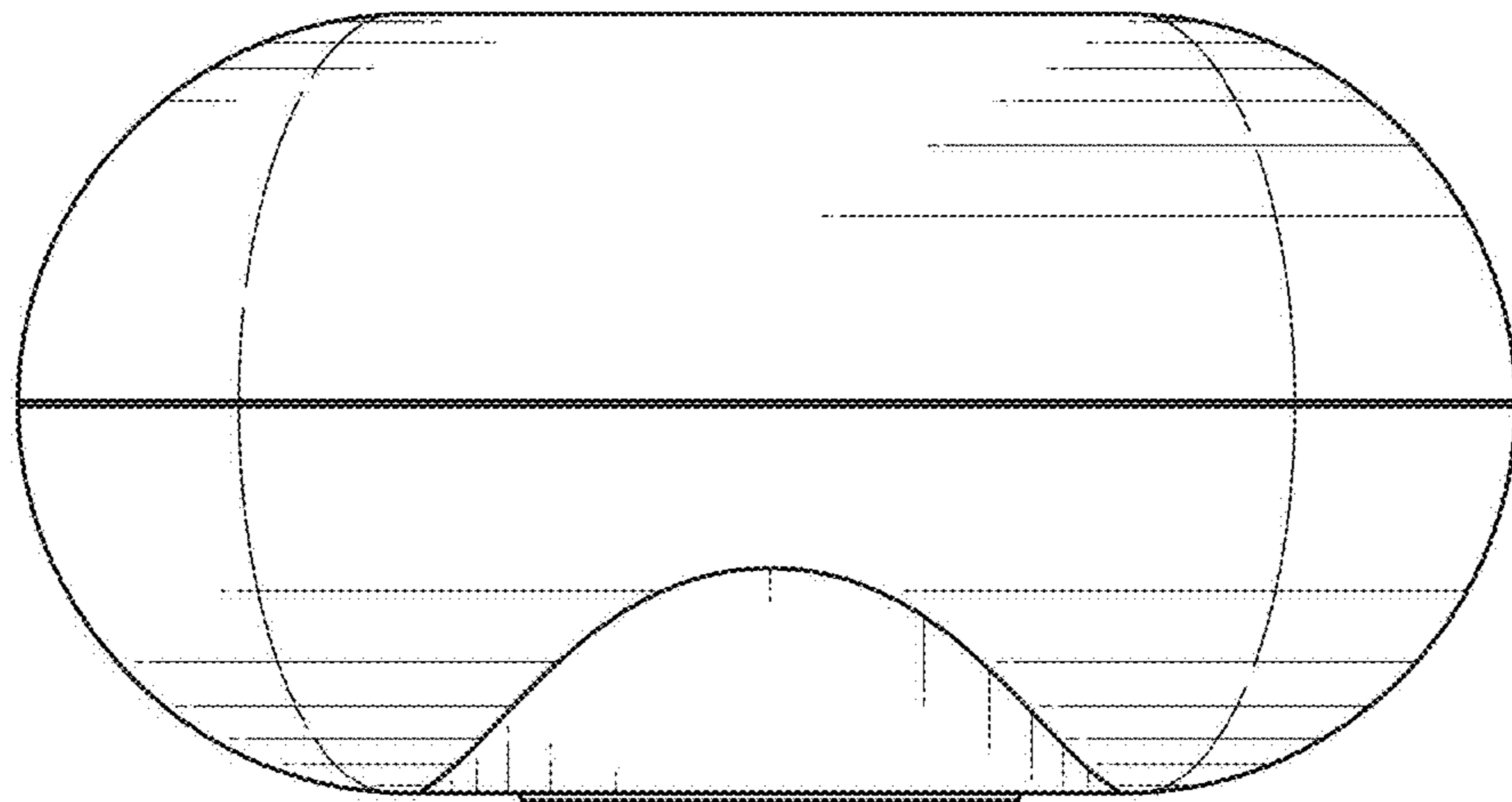


FIG. 6

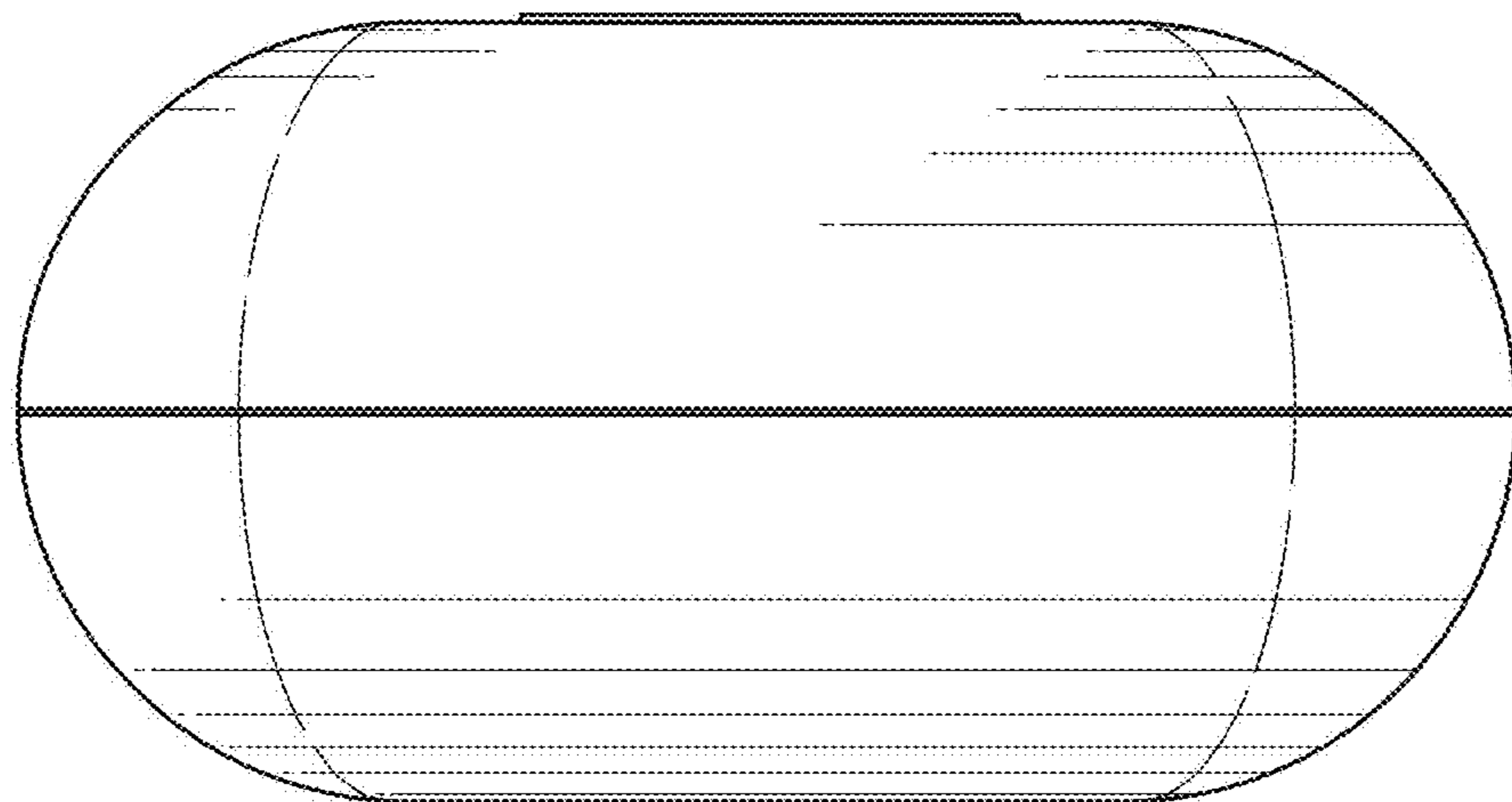


FIG. 7

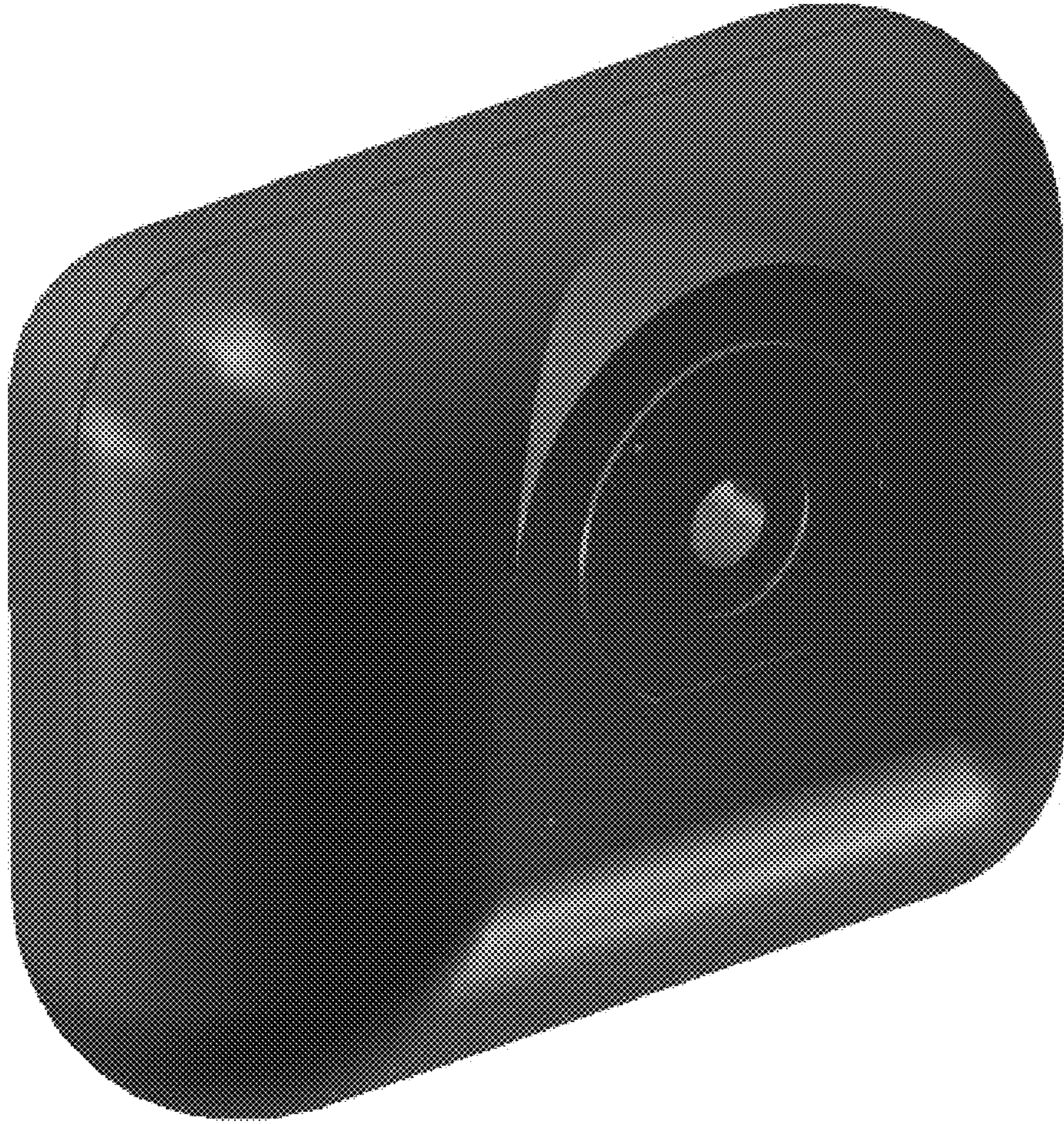


FIG. 8

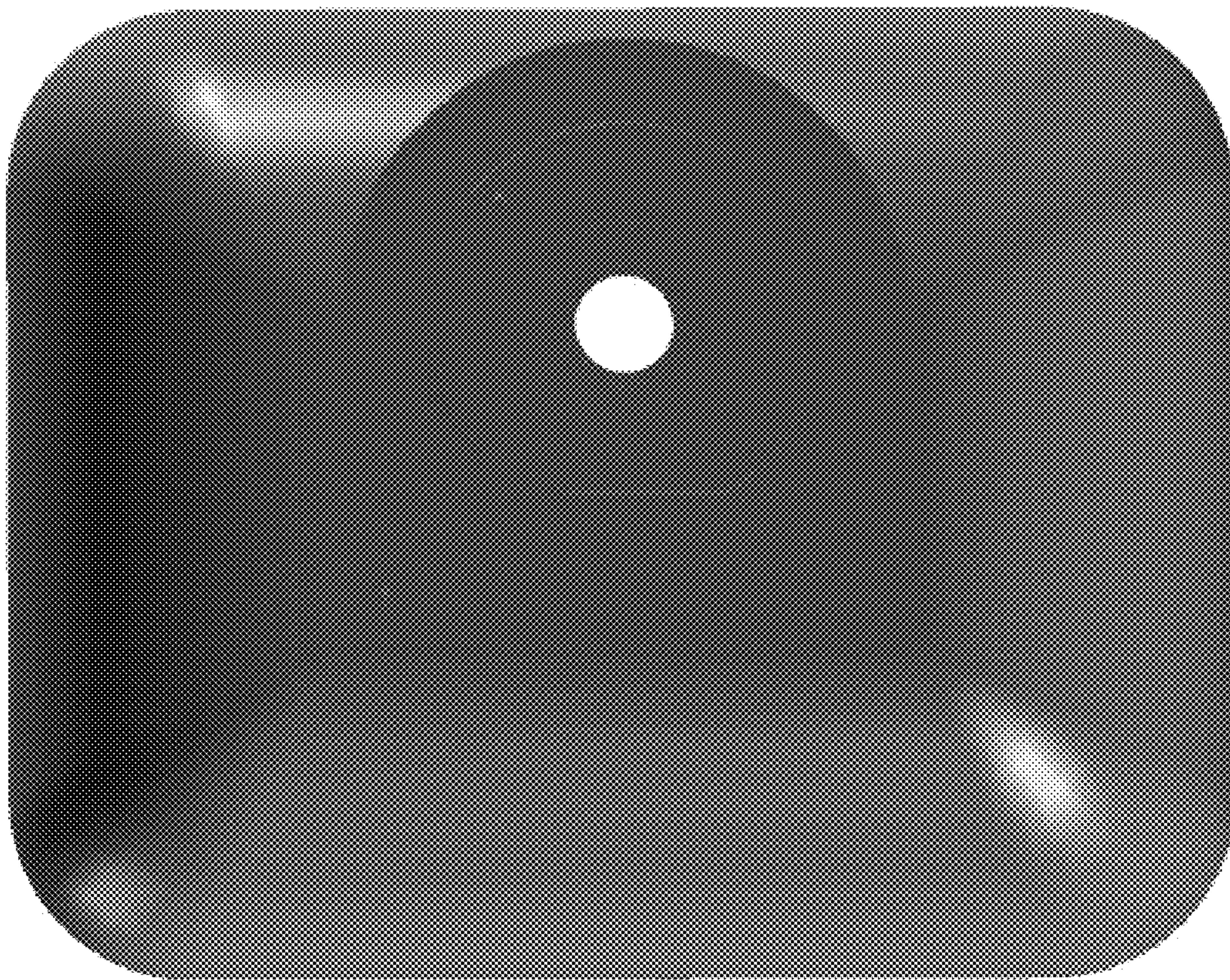


FIG. 9



FIG. 10



FIG. 11

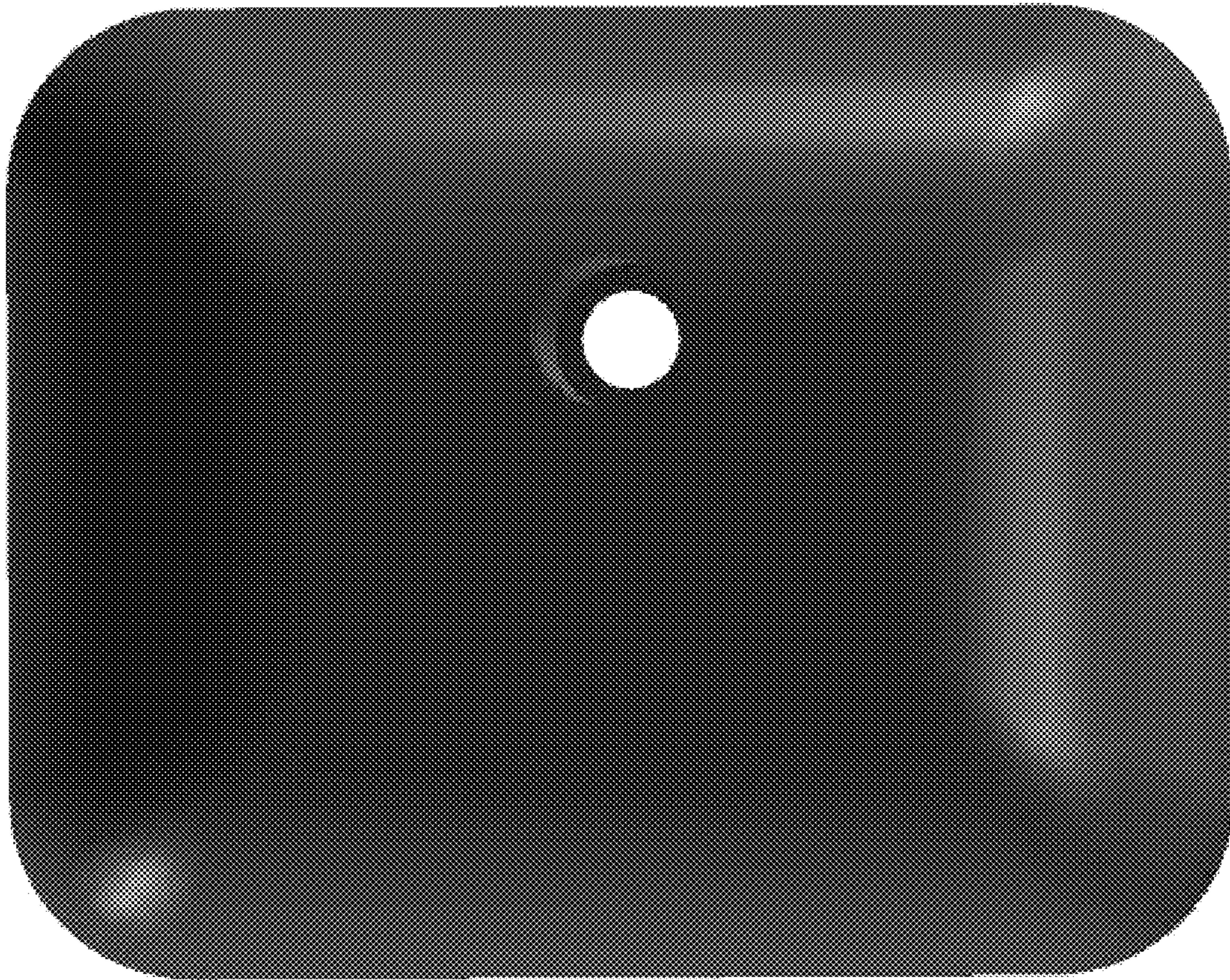


FIG. 12

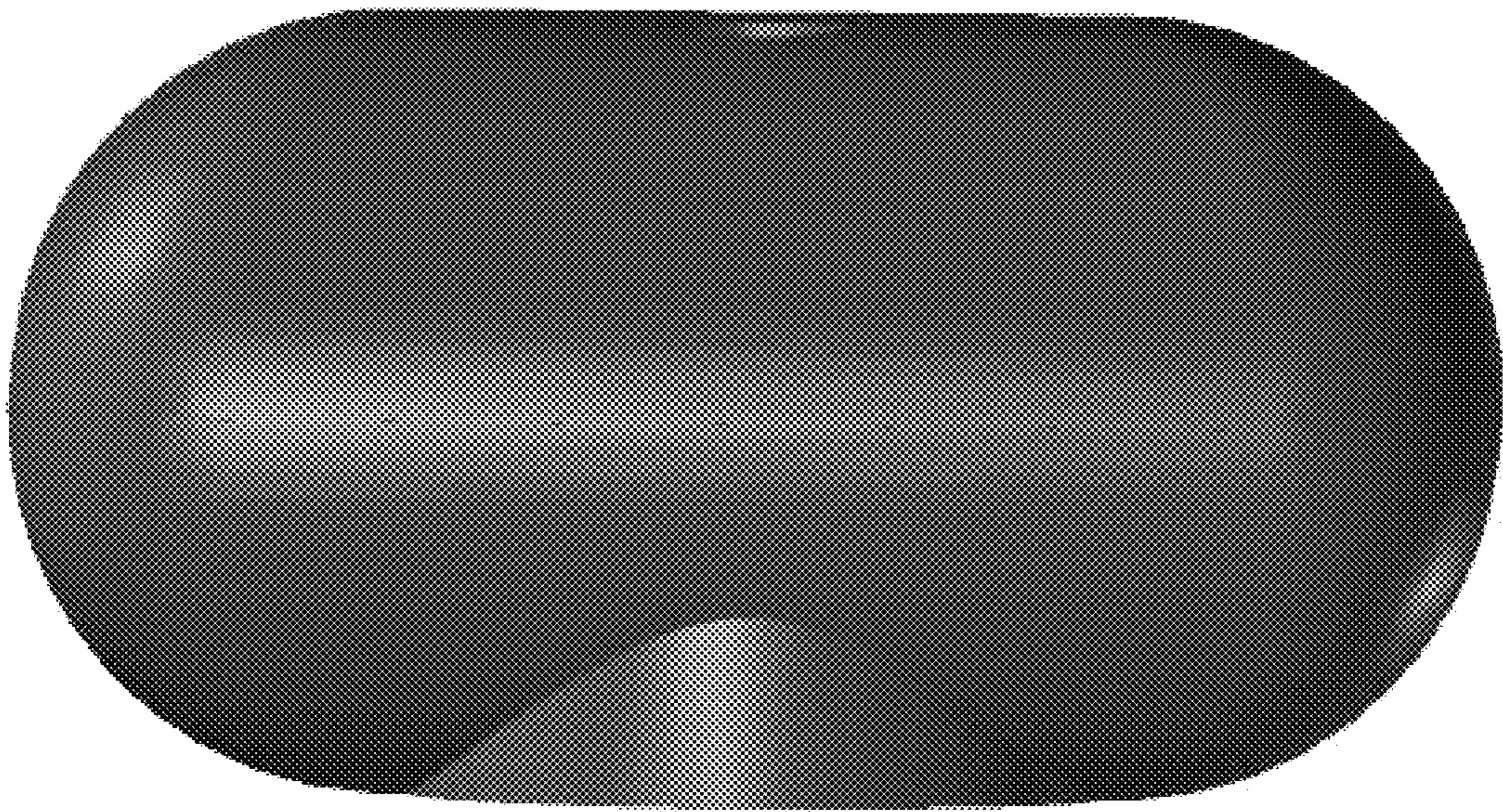


FIG. 13

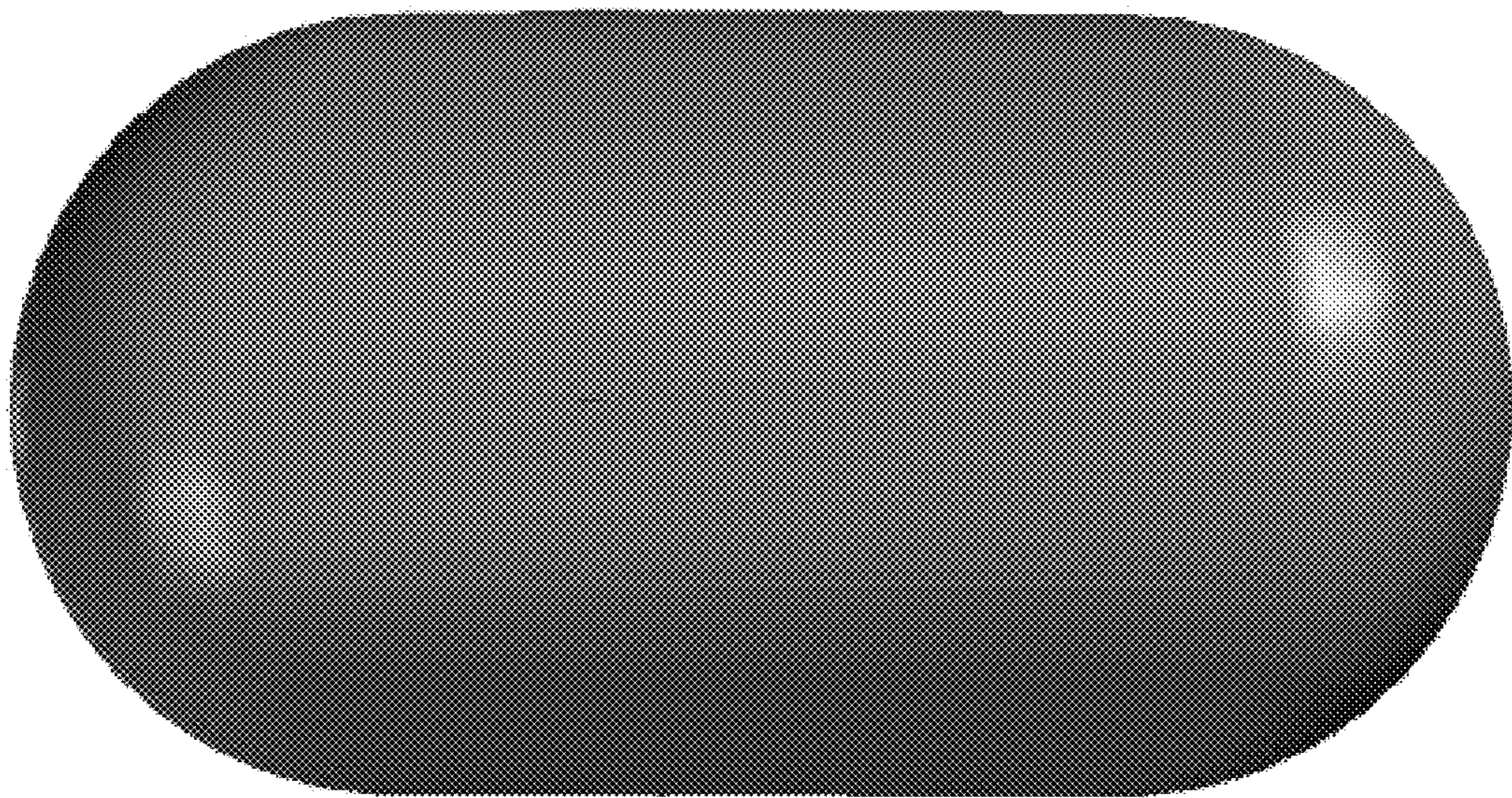


FIG. 14