



US00D980089S

(12) **United States Design Patent**
Qin

(10) **Patent No.:** **US D980,089 S**
(45) **Date of Patent:** **** Mar. 7, 2023**

- (54) **METAL DETECTOR**
- (71) Applicant: **SHANGHAI 21ST CENTURY ELECTRONIC EQUIPMENT CO., LTD.**, Shanghai (CN)
- (72) Inventor: **Xiaolin Qin**, Shanghai (CN)
- (73) Assignee: **SHANGHAI 21ST CENTURY ELECTRONIC EQUIPMENT CO., LTD.**, Shanghai (CN)
- (**) Term: **15 Years**
- (21) Appl. No.: **29/847,186**
- (22) Filed: **Jul. 22, 2022**
- (51) **LOC (14) Cl.** **10-04**
- (52) **U.S. Cl.**
USPC **D10/47**
- (58) **Field of Classification Search**
USPC D10/47
CPC G01V 5/0008; G01V 7/00; G01V 8/00;
G01V 9/00; G01V 11/00
See application file for complete search history.

(56) **References Cited**

U.S. PATENT DOCUMENTS

D863,077 S	10/2019	Shao	
D881,033 S	* 4/2020	Zhang	D10/47
D881,034 S	* 4/2020	Zhang	D10/47
D881,035 S	* 4/2020	Zhang	D10/47
D881,727 S	* 4/2020	Deng	D10/47
D884,492 S	* 5/2020	Deng	D10/47
D885,205 S	* 5/2020	Deng	D10/47
D885,206 S	* 5/2020	Deng	D10/47
D887,870 S	* 6/2020	Qin	D10/47
D889,997 S	* 7/2020	Qin	D10/47
D889,998 S	* 7/2020	Qin	D10/47
D889,999 S	7/2020	Qin	

D899,275 S	* 10/2020	Ye	D10/47
D907,513 S	* 1/2021	Qin	D10/47
D915,225 S	* 4/2021	Deng	D10/47
D918,062 S	* 5/2021	Qin	D10/47
D959,300 S	* 8/2022	Zhang	D10/47
D970,361 S	* 11/2022	Deng	D10/47
D970,364 S	* 11/2022	Ye	D10/47
2020/0341164 A1	* 10/2020	Blankenship	H04M 1/72415
2020/0348436 A1	* 11/2020	Onlek	G01V 3/15
2021/0255351 A1	* 8/2021	Yavas	G01V 3/088
2022/0283332 A1	* 9/2022	Joy	G01V 3/17

* cited by examiner

Primary Examiner — George D. Kirschbaum
Assistant Examiner — Lillian Windham

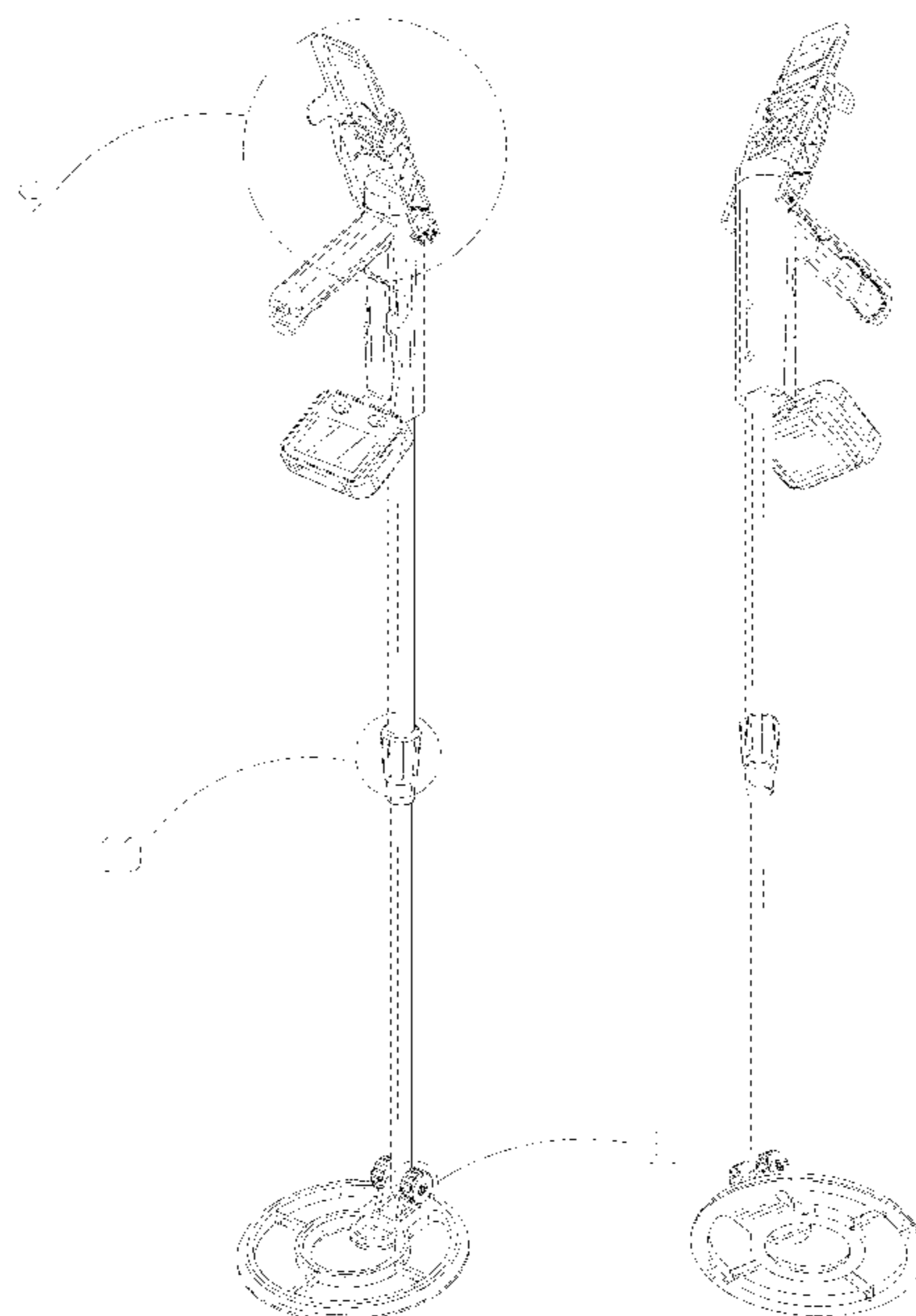
(57) **CLAIM**

The ornamental design for a metal detector, as shown and described.

DESCRIPTION

FIG. 1 is a perspective view of a metal detector showing my new design;
 FIG. 2 is another perspective view thereof;
 FIG. 3 is a front elevational view thereof;
 FIG. 4 is a rear elevational view thereof;
 FIG. 5 is a left side elevational view thereof;
 FIG. 6 is a right side elevational view thereof;
 FIG. 7 is a top plan view thereof;
 FIG. 8 is a bottom plan view thereof;
 FIG. 9 is an enlarged view of portion 9 shown in FIG. 1;
 FIG. 10 is an enlarged view of portion 10 shown in FIG. 1;
 and,
 FIG. 11 is an enlarged view of portion 11 shown in FIG. 1.
 The dash-dash broken lines in the drawings depict portions of the metal detector that form no part of the claimed design.
 The dot-dash broken lines represent boundaries of the enlarged portions and form no part of the claimed design.

1 Claim, 11 Drawing Sheets



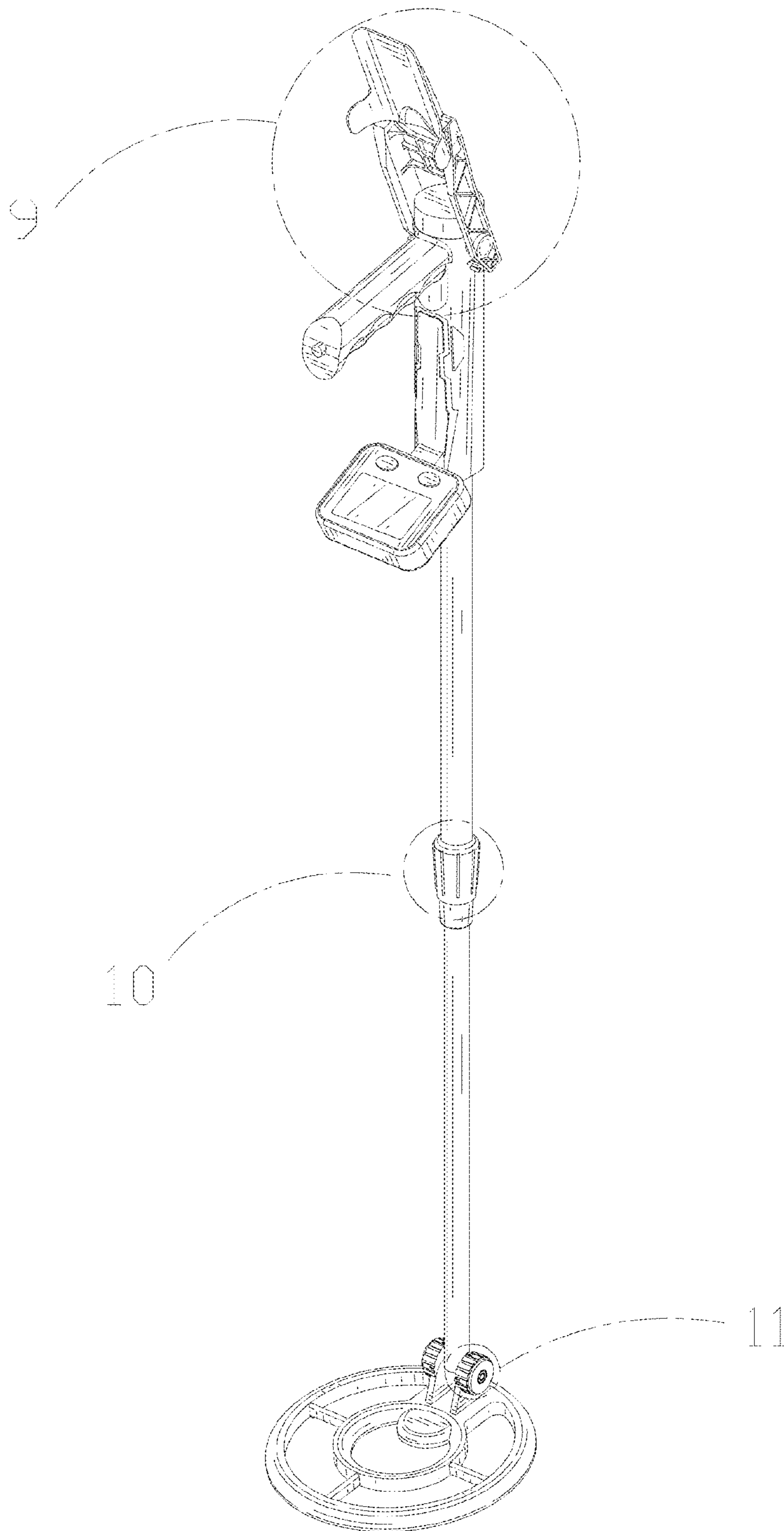


FIG. 1

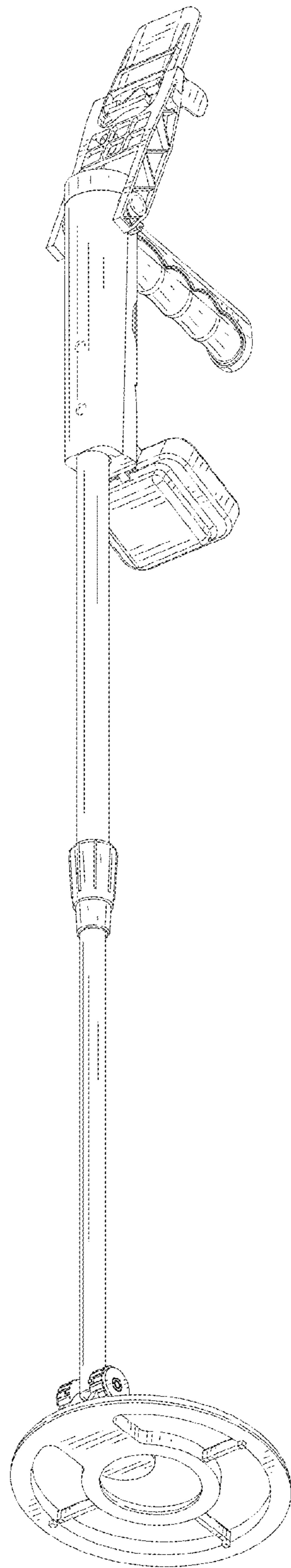


FIG. 2

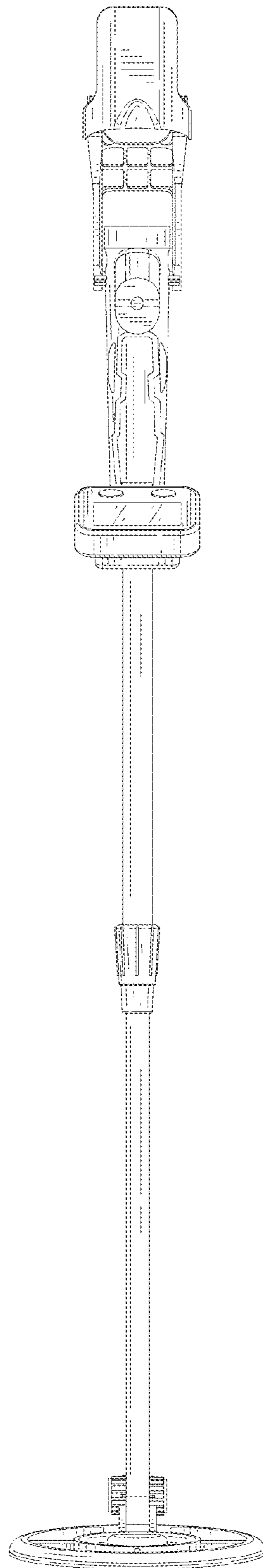


FIG. 3

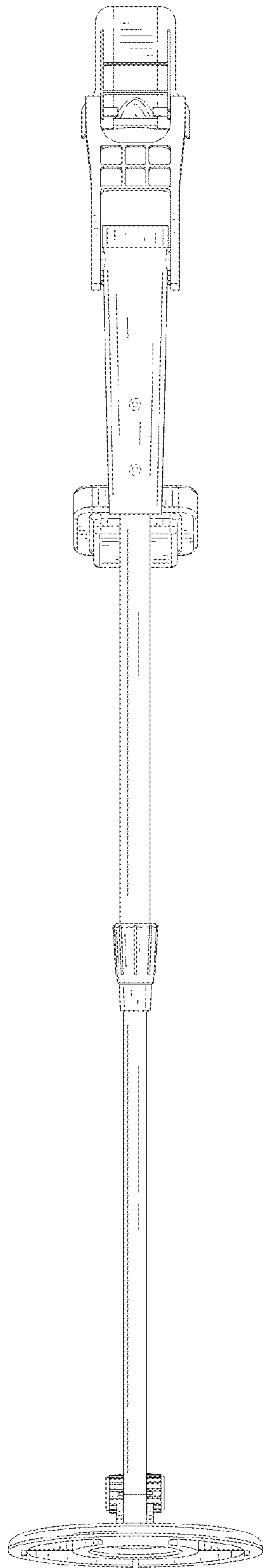


FIG. 4

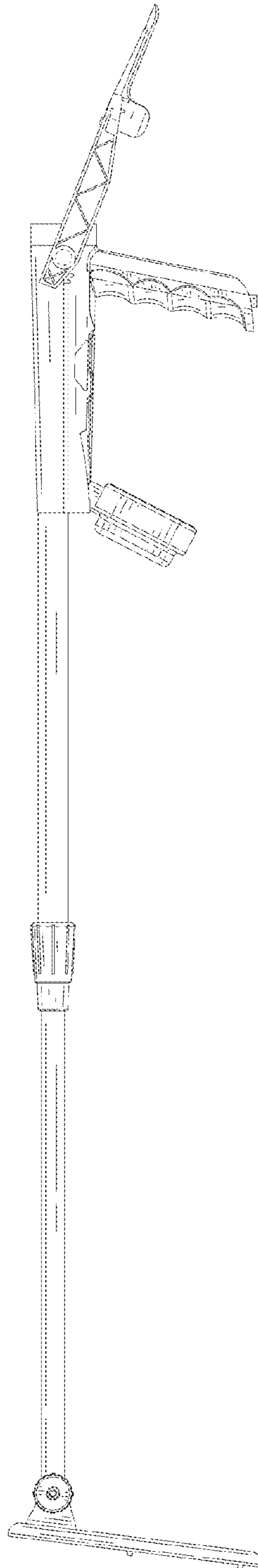


FIG. 5

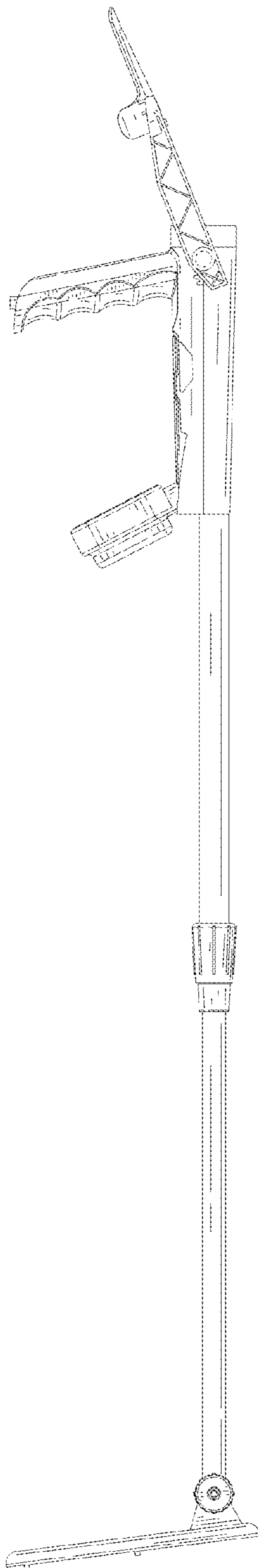


FIG. 6

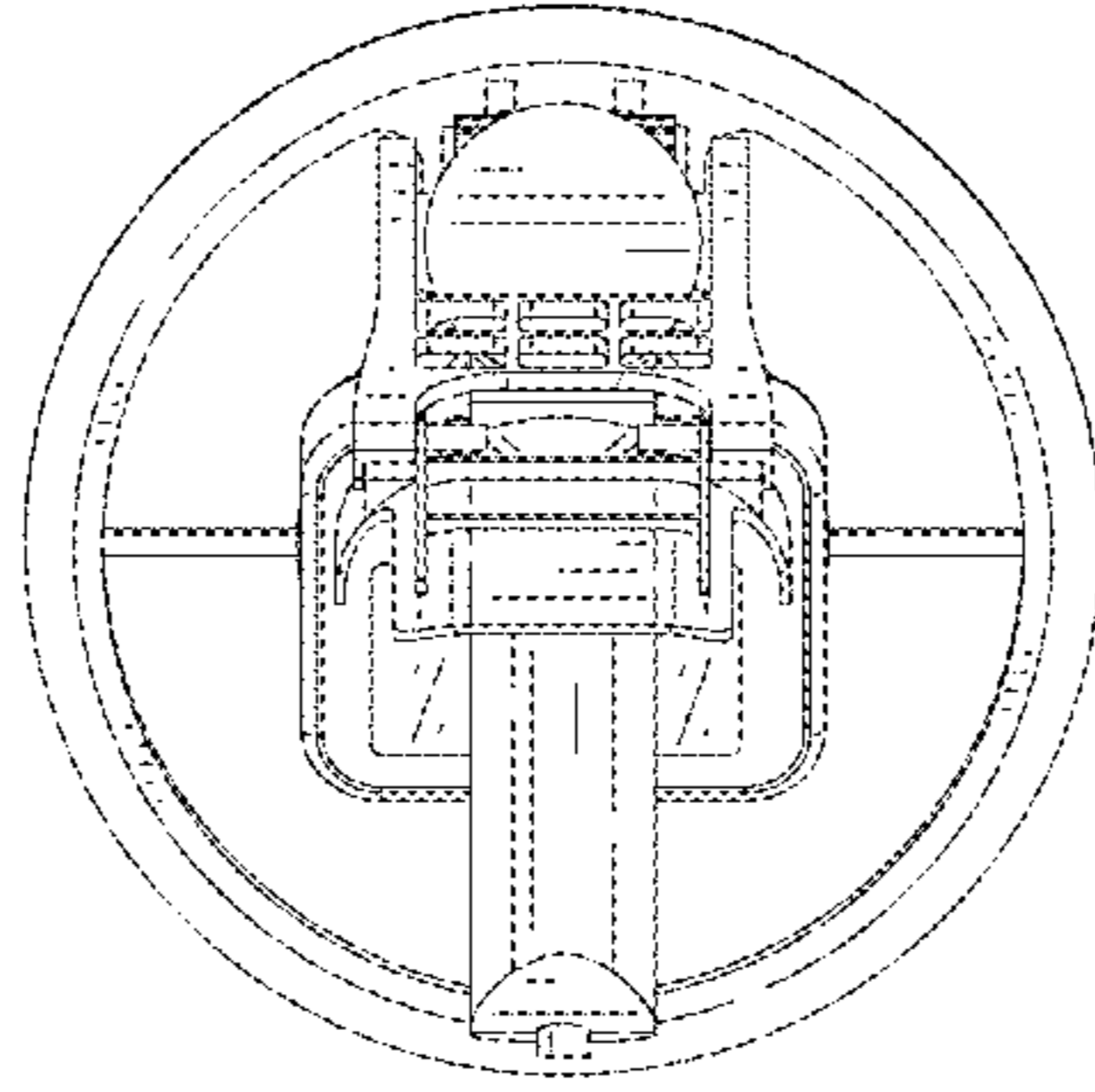


FIG. 7

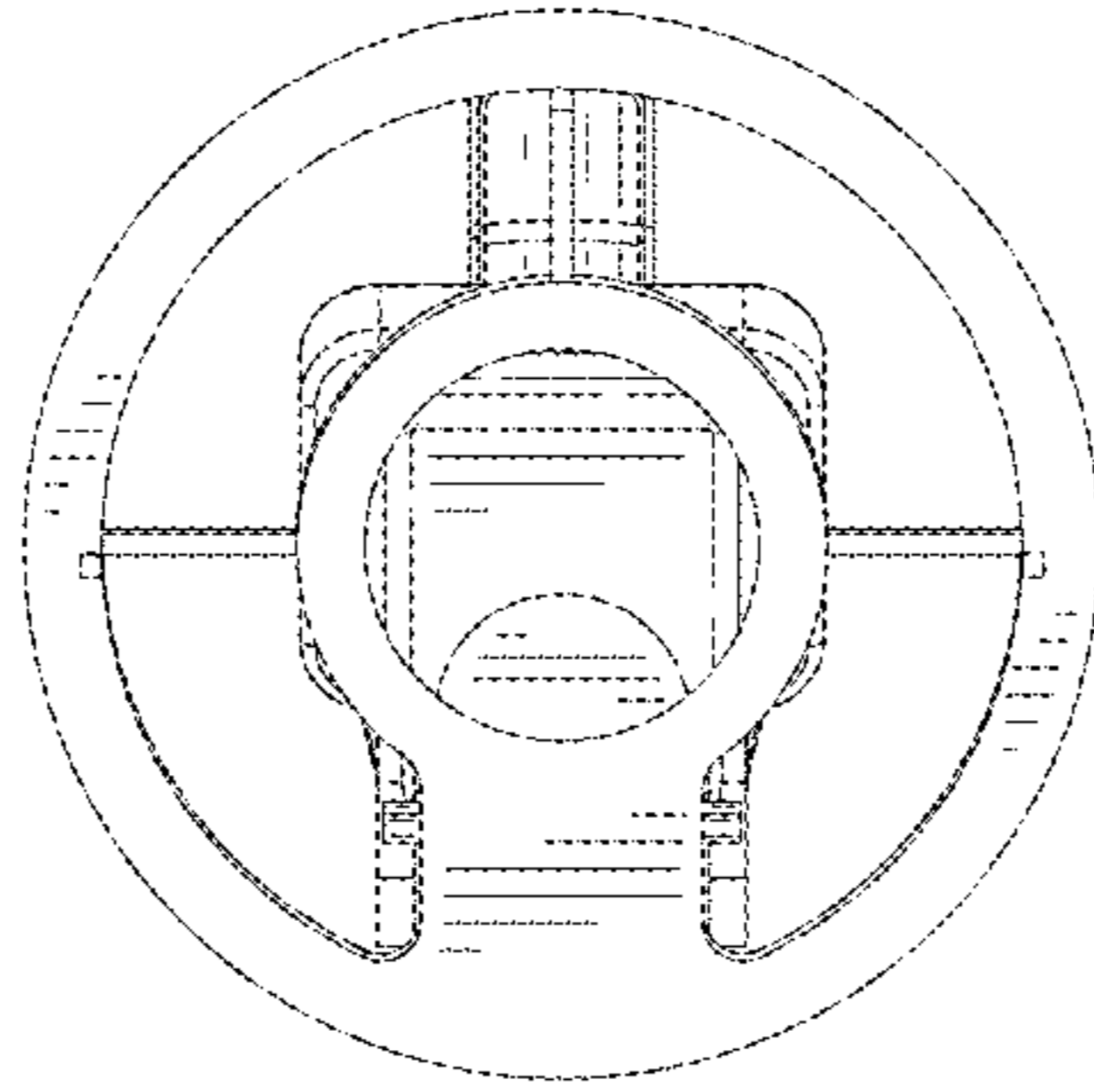


FIG. 8

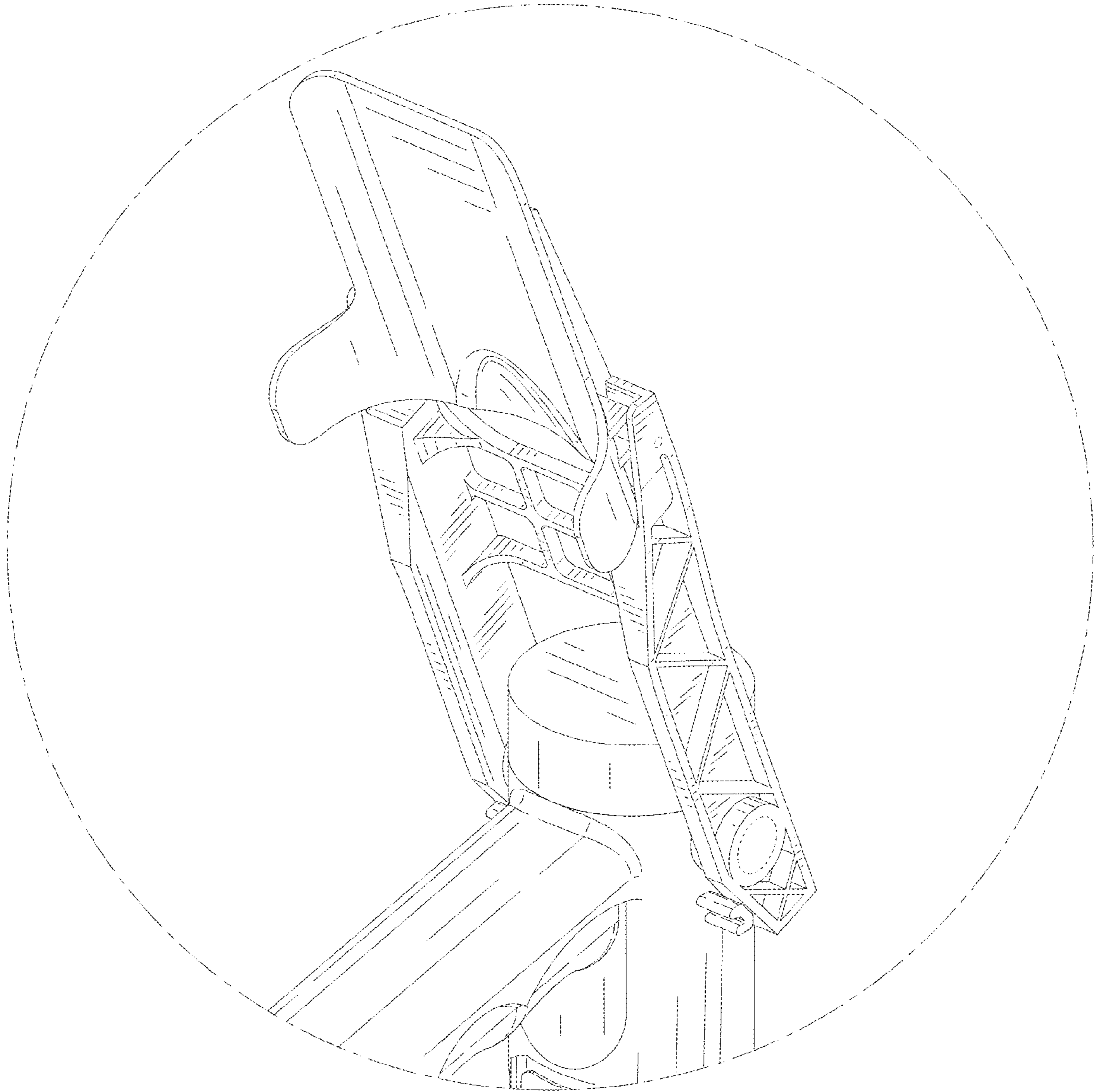


FIG. 9

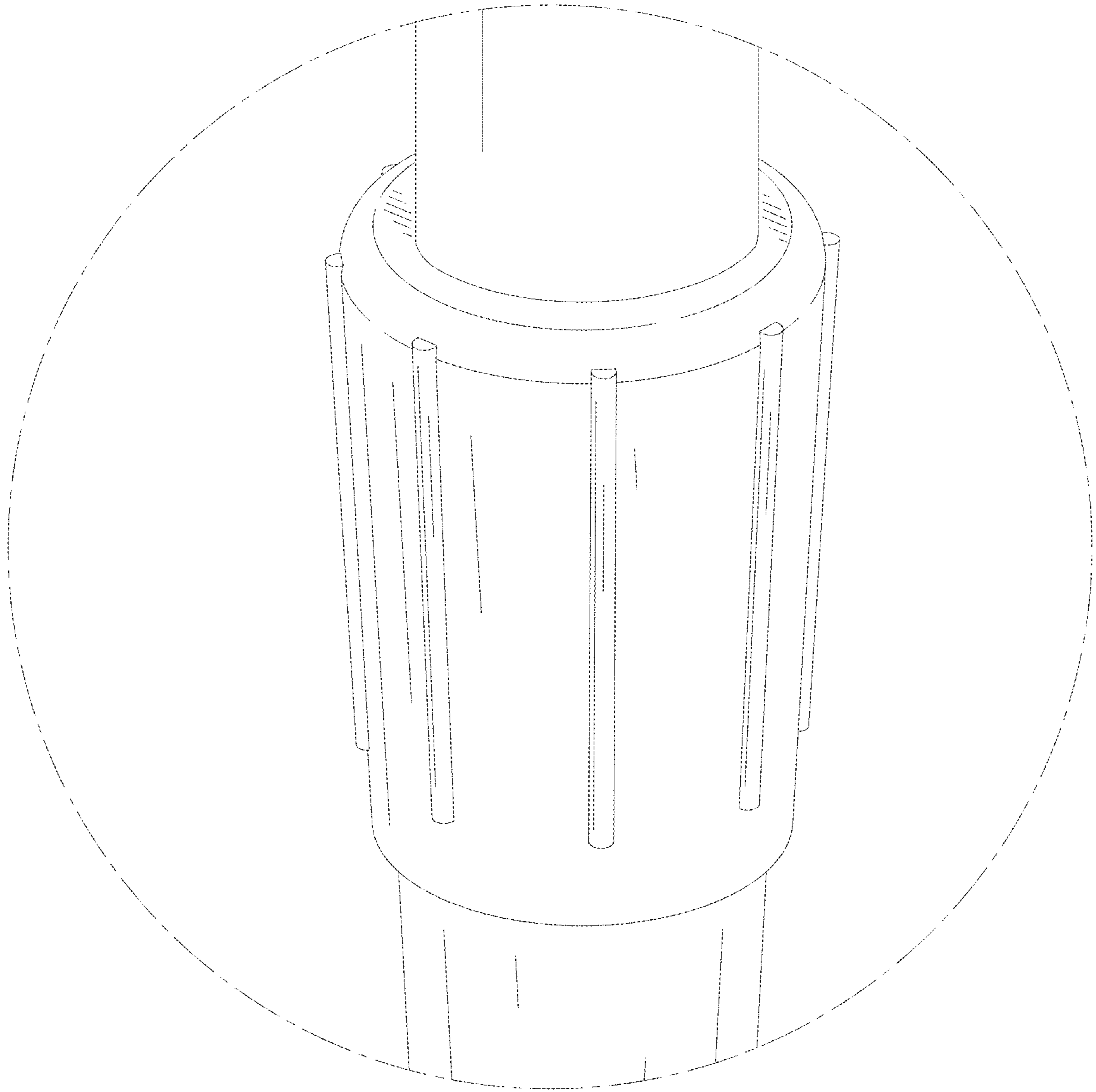


FIG. 10

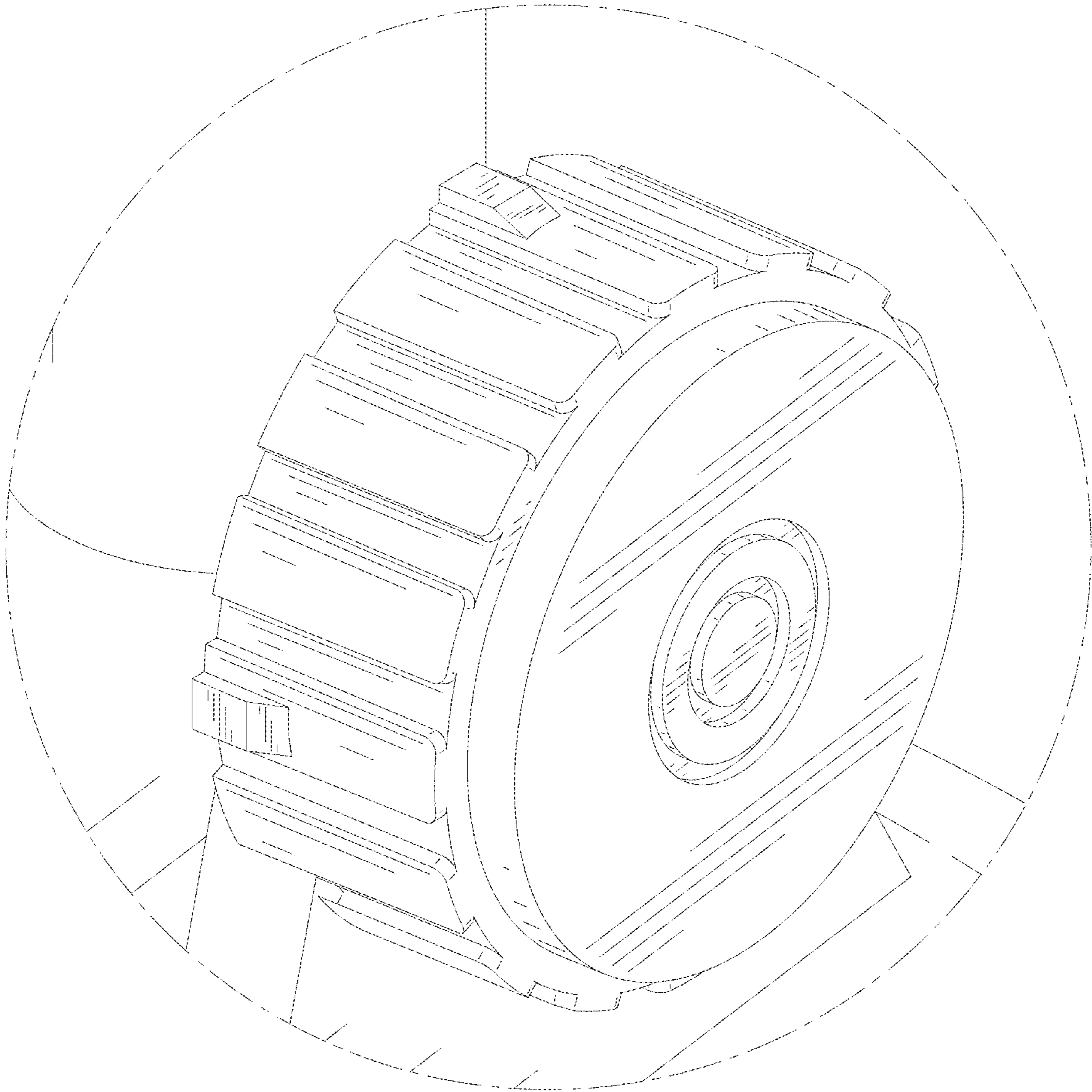


FIG. 11