



US00D980083S

(12) **United States Design Patent** (10) **Patent No.:** **US D980,083 S**  
**Siegel et al.** (45) **Date of Patent:** **\*\* \*Mar. 7, 2023**

(54) **AIRLESS DISPENSER**  
(71) Applicant: **Fusion Packaging I, LLC**, Dallas, TX (US)  
(72) Inventors: **Nils Siegel**, New York, NY (US); **Shaocheng Ma**, Branchburg, NJ (US); **Alexander L. Kwapis**, Dallas, TX (US); **Alex Moskvin**, Port Jefferson Station, NY (US)

D351,337 S \* 10/1994 Bonnema ..... D27/141  
D463,746 S \* 10/2002 de Baschmakoff ..... D9/500  
D471,796 S \* 3/2003 de Baschmakoff ..... D9/692  
D486,270 S \* 2/2004 Kurumada ..... D28/76  
D655,200 S 3/2012 Gross et al.  
D682,709 S \* 5/2013 Wang ..... D9/691  
D710,211 S \* 8/2014 Behar ..... D9/688  
D716,666 S \* 11/2014 Park ..... D9/690  
D720,627 S \* 1/2015 Chen ..... D9/688

(Continued)

(\*) Notice: This patent is subject to a terminal disclaimer.

(\*\*) Term: **15 Years**

(21) Appl. No.: **29/700,080**

(22) Filed: **Jul. 31, 2019**

(51) **LOC (14) Cl.** ..... **09-01**

(52) **U.S. Cl.**  
USPC ..... **D9/686; D9/692**

(58) **Field of Classification Search**  
USPC ..... D9/686-692, 505, 545; D28/76, 77, 82, D28/91.1

CPC . B05B 11/00; B05B 11/0027; B05B 11/0035; B05B 11/0037; B05B 11/0038; B05B 11/02; B05B 11/30; B05B 11/3001-3008; B05B 11/3038; B05B 11/3042; B05B 11/3043; B05B 11/3052; B05B 11/3074; B65D 83/14; B65D 83/16; B65D 83/20; B65D 83/38; B65D 83/40; B65D 83/56; B65D 83/75; B65D 83/752; B65D 83/753; A45D 34/00; A45D 34/02; A45D 34/04; A45D 34/041; A45D 34/06; A45D 2034/007; A45D 2200/051-057

See application file for complete search history.

(56) **References Cited**

**U.S. PATENT DOCUMENTS**

D64,659 S \* 5/1924 Daltroff ..... D9/545  
D215,698 S \* 10/1969 Jordan et al. .... D9/688

**FOREIGN PATENT DOCUMENTS**

CN 301830107 \* 2/2012  
CN 304512911 \* 2/2018

(Continued)

*Primary Examiner* — Catherine A Tuttle  
(74) *Attorney, Agent, or Firm* — Carrington, Coleman, Sloman and Blumenthal, L.L.P.

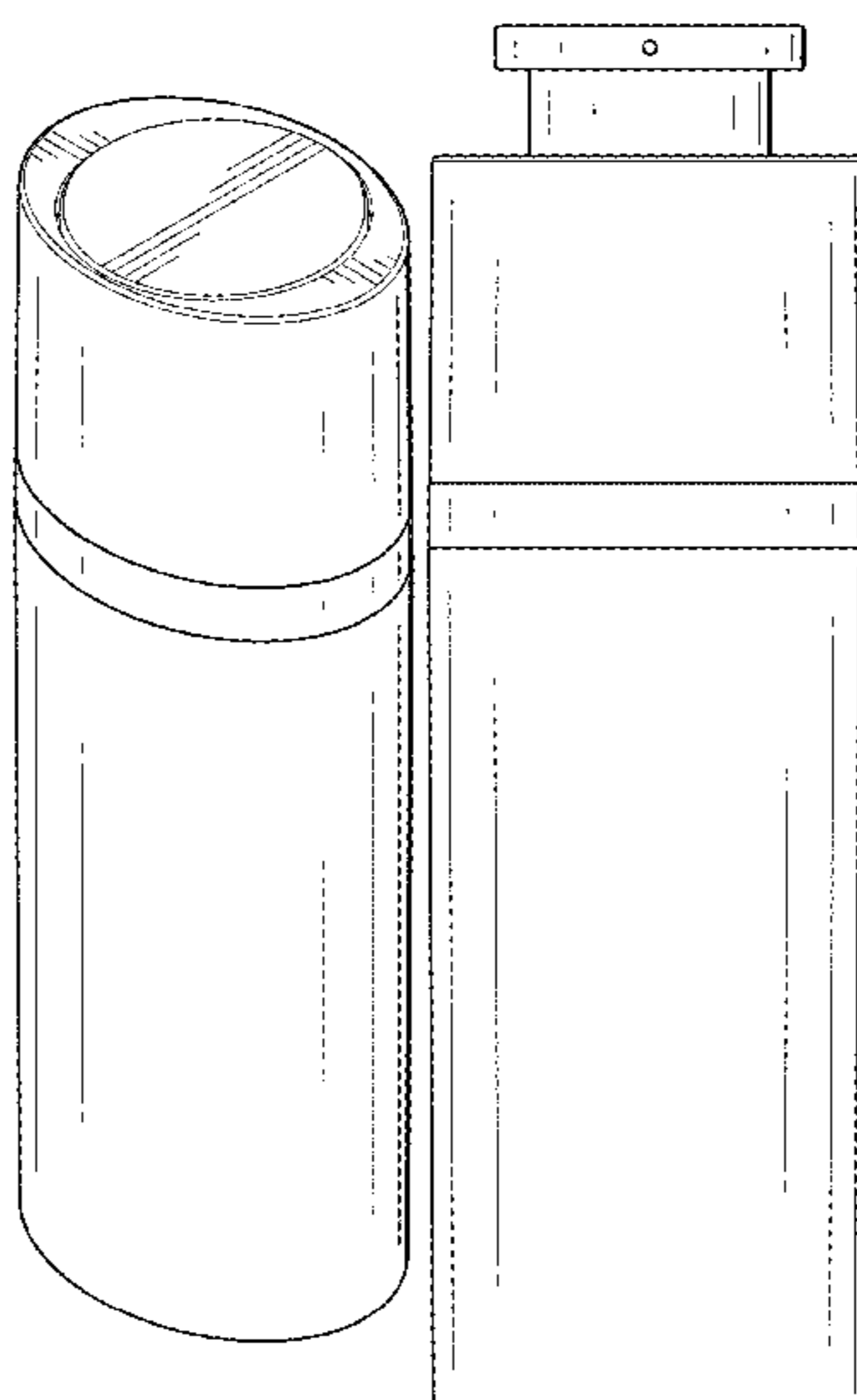
(57) **CLAIM**

We claim the ornamental design for the airless dispenser, as shown and described.

**DESCRIPTION**

FIG. 1 is a perspective view showing our new design for an airless dispenser;  
FIG. 2 is a perspective view wherein the collar is rotated approximately ninety (90) degrees, with the actuator slightly raised from the collar;  
FIG. 3 is a perspective view wherein the collar is rotated approximately one hundred and eighty (180) degrees relative to FIG. 1, and with the actuator farther raised from the collar;  
FIG. 4 is a front view of FIG. 1;  
FIG. 5 is a rear view of FIG. 1;  
FIG. 6 is a right side view of FIG. 1;  
FIG. 7 is a left side view of FIG. 1;  
FIG. 8 is a top view of FIG. 1; and,  
FIG. 9 is a bottom view of FIG. 1.

**1 Claim, 3 Drawing Sheets**



(56)

**References Cited**

U.S. PATENT DOCUMENTS

D739,084 S \* 9/2015 Hall ..... D28/85  
D783,410 S \* 4/2017 Bertaux ..... D9/690  
D812,480 S \* 3/2018 Newson ..... D9/503  
D820,110 S \* 6/2018 Burrowes ..... D9/690  
D823,127 S \* 7/2018 Desdoigts ..... D9/692  
2008/0000869 A1\* 1/2008 McGuinness ..... A45D 33/18  
215/317  
2008/0023491 A1\* 1/2008 Rousselet ..... B65D 77/0493  
222/256  
2009/0120963 A1\* 5/2009 Bae ..... B05B 11/3069  
222/153.13  
2015/0108171 A1\* 4/2015 Kim ..... A45D 40/00  
222/321.3

FOREIGN PATENT DOCUMENTS

FR 938751 A \* 10/1948 ..... A45D 34/04  
JP D1072204 \* 6/2000  
KR 300538652.0000 \* 9/2009  
WO WO-2017060631 A \* 4/2017 ..... B05B 11/00412  
WO WO-2019119527 A1 \* 6/2019 ..... B05B 15/30

\* cited by examiner

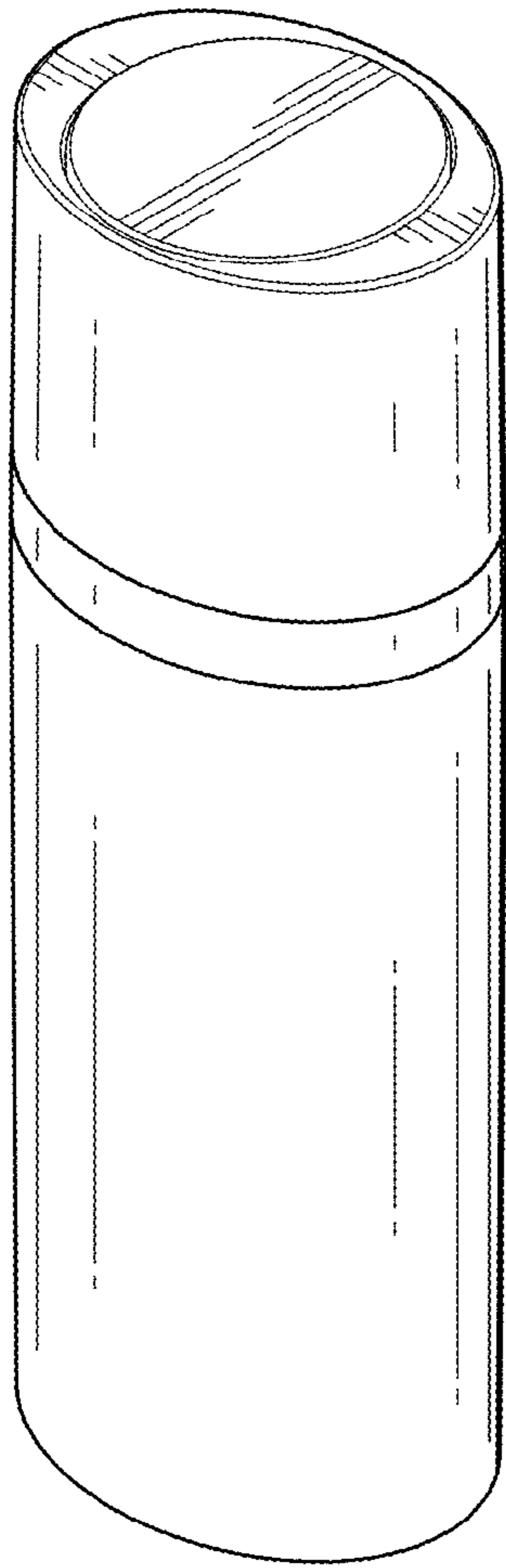


FIG. 1

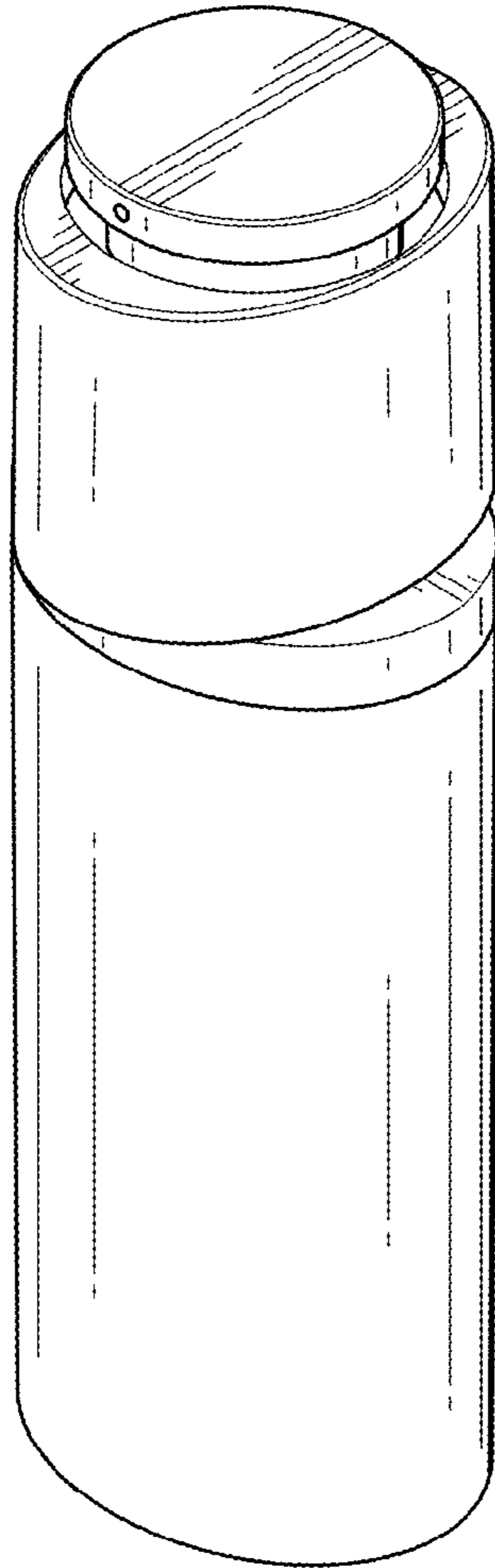


FIG. 2

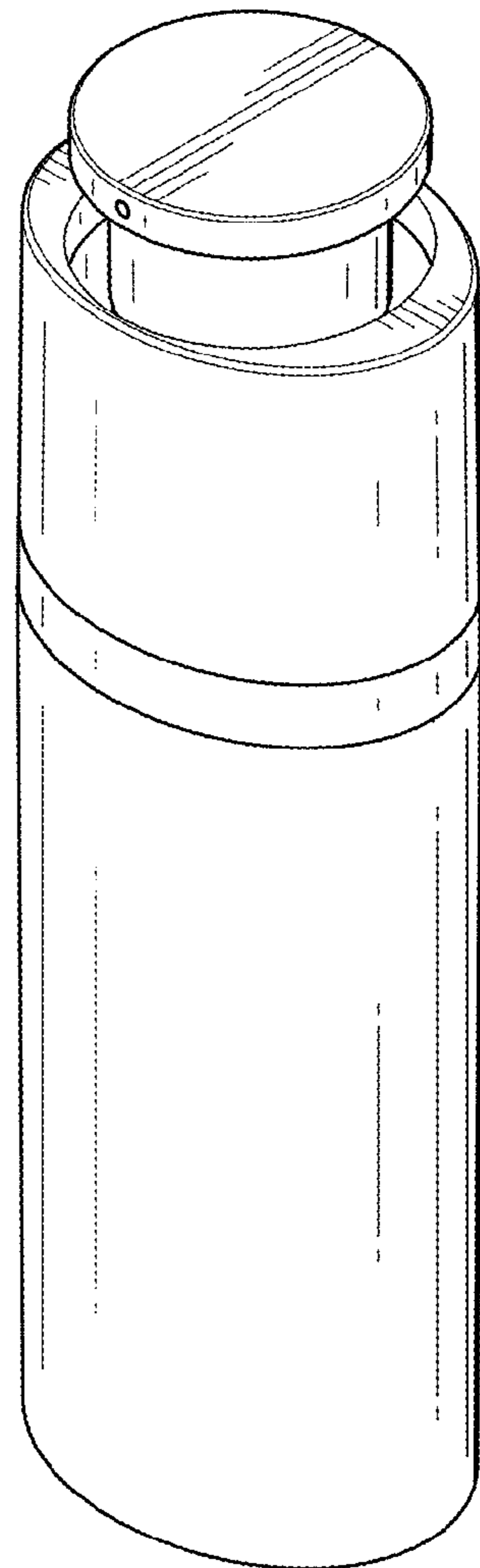


FIG. 3

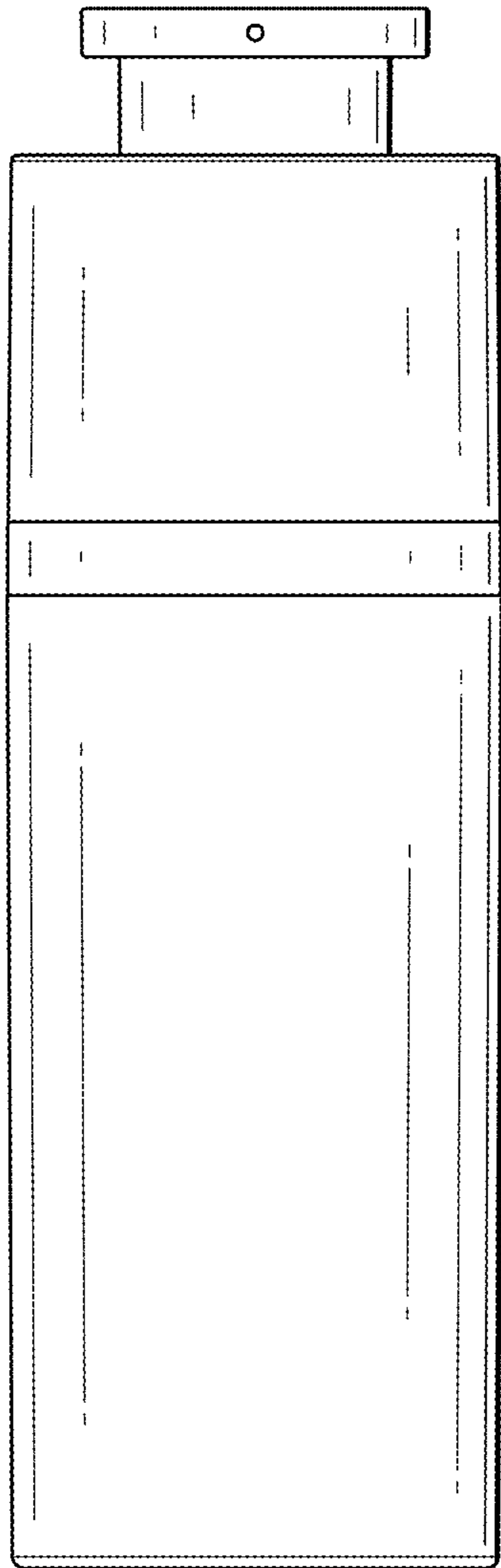


FIG. 4

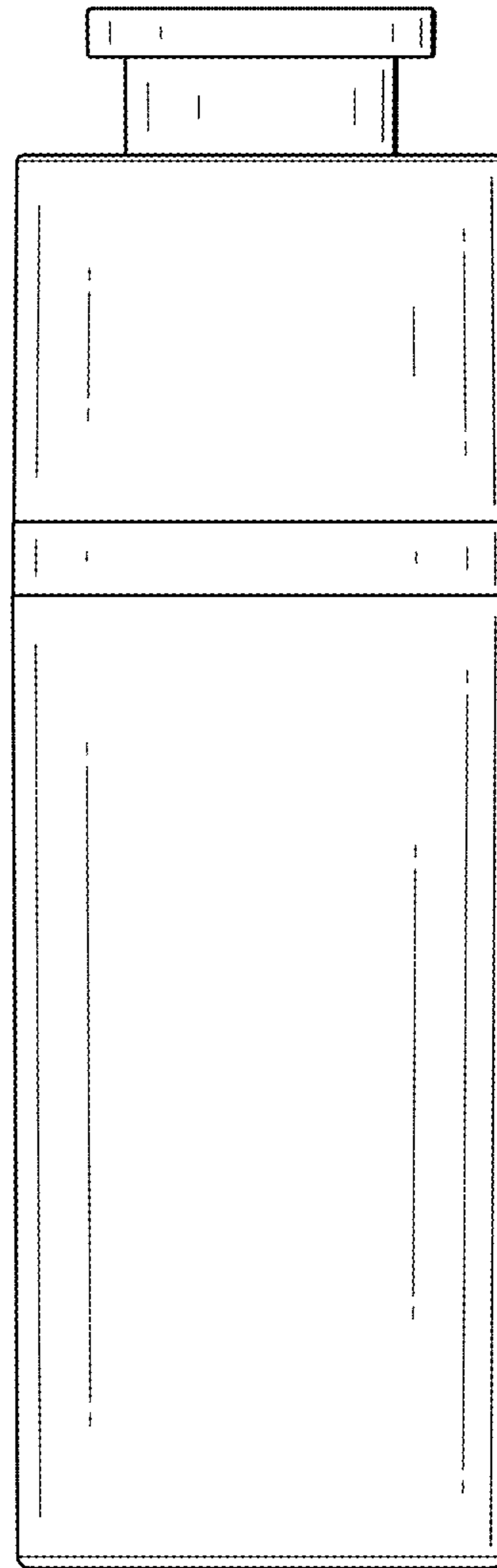


FIG. 5

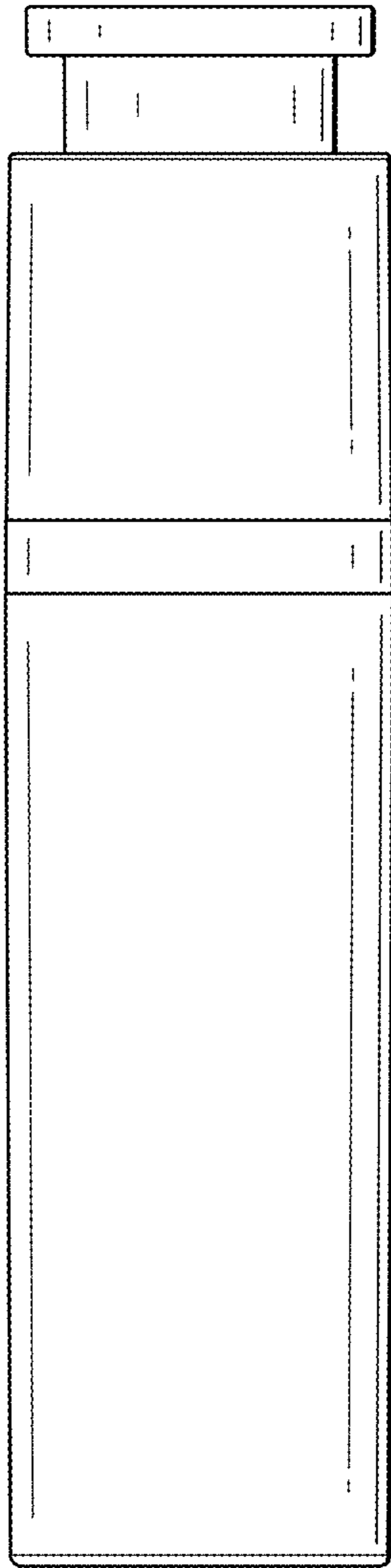


FIG. 6

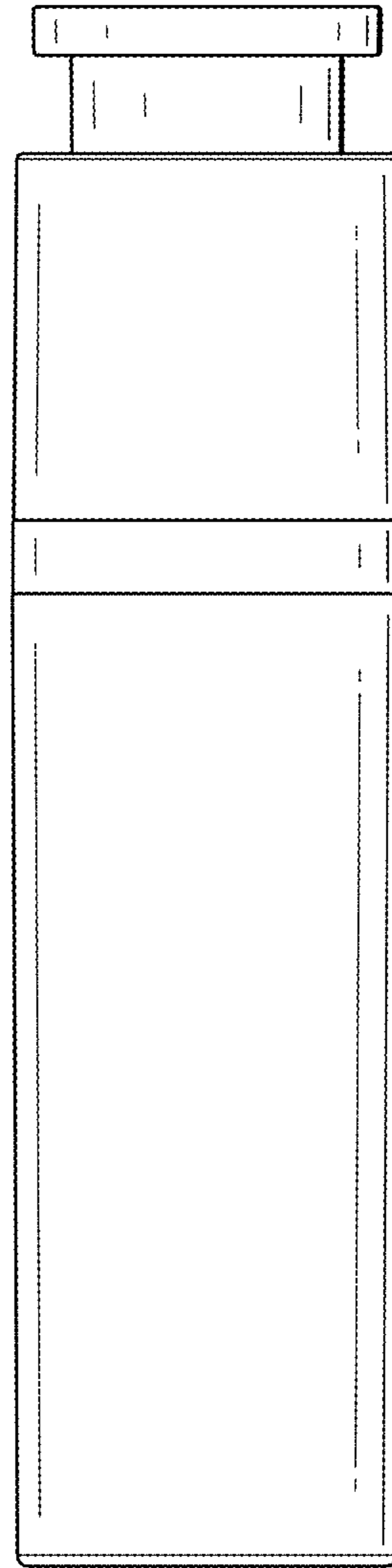


FIG. 7

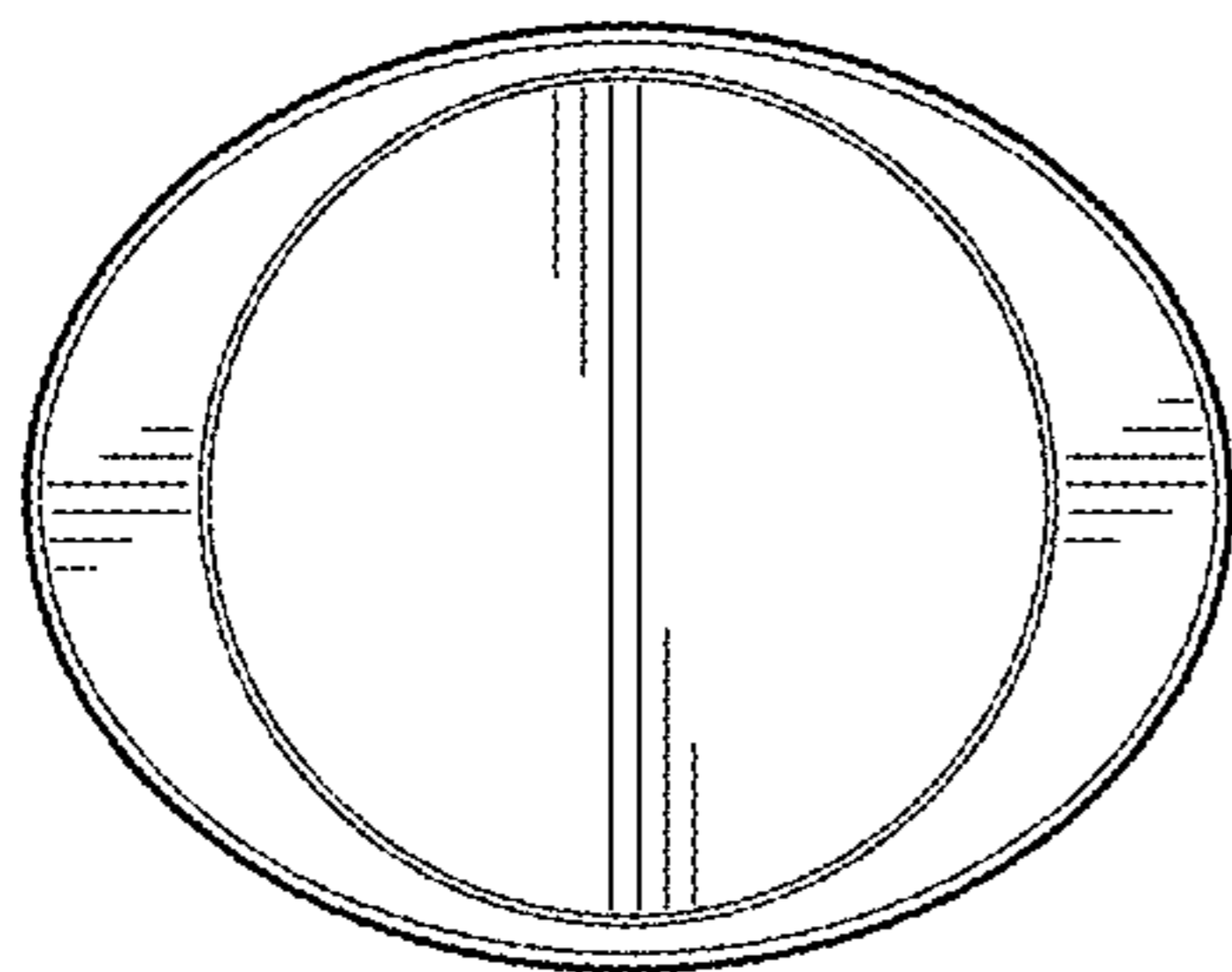


FIG. 8

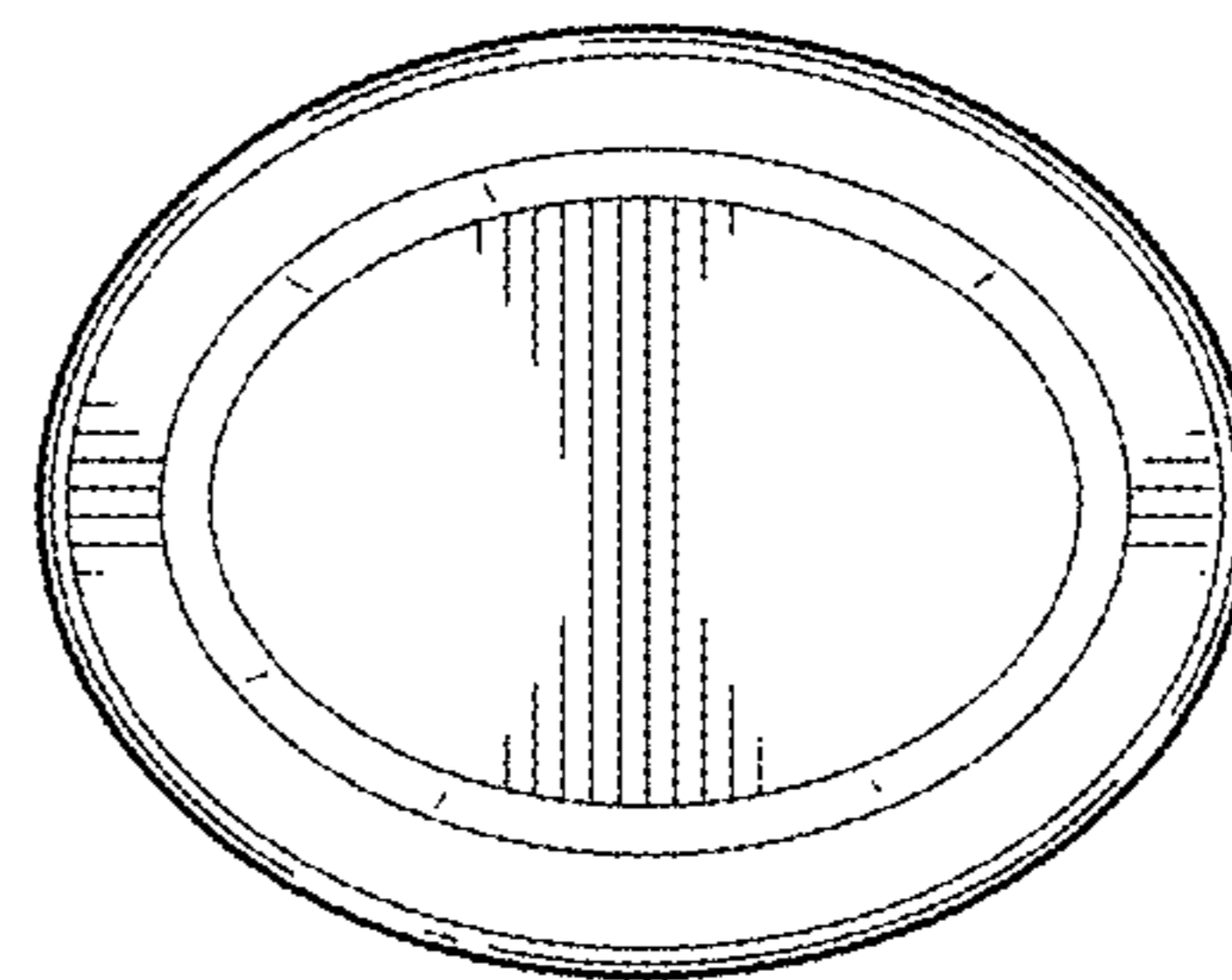


FIG. 9