



US00D980082S

(12) **United States Design Patent**
Gustafsson et al.

(10) **Patent No.: US D980,082 S**
(45) **Date of Patent: ** Mar. 7, 2023**

(54) **CONTAINER**

2543/00092; B65D 2543/00101; B65D
2543/00111; Y10T 29/49826

(71) Applicant: **PepsiCo, Inc.**, Purchase, NY (US)

See application file for complete search history.

(72) Inventors: **Niklas Gustafsson**, New York, NY (US); **Maria Hanshella R. Magno**, Union, NJ (US); **Andrew Richard Phinney**, Jersey City, NJ (US); **Klaus Rosburg**, Brooklyn, NY (US); **Koby Hebborn Trout**, Brooklyn, NY (US); **Marc Thomas Wiscinski**, Downers Grove, IL (US); **Marcos Orlando Ortiz**, Tuckahoe, NY (US); **Joseph Thomas Gar Jun Smith**, Reading (GB); **Matthew Stewart Twiss**, East Hanney (GB); **Daniel K. Patu**, Denver, CO (US)

(56) **References Cited**

U.S. PATENT DOCUMENTS

| | | | |
|--------------|---------|----------------------|--------|
| D218,288 S * | 8/1970 | Hilliard et al. | D9/773 |
| D242,971 S * | 1/1977 | Schlichter | D7/515 |
| D271,663 S * | 12/1983 | Stark | D9/438 |
| D276,499 S * | 11/1984 | Kamada | D34/39 |
| D287,338 S * | 12/1986 | Biesecker | D9/500 |
| D289,937 S * | 5/1987 | Cleveland, Jr. | D34/39 |
| D323,602 S * | 2/1992 | Katz | D7/901 |

(Continued)

OTHER PUBLICATIONS

Shelby Report; "Pepsi Celebrates Elite Football Fans in New Marketing Campaign"; [online] 'www.theshelbyreport.com/2020/08/19/pepsi-celebrates-elite-football-fans/'; dated Aug. 19, 2020; accessed May 28, 2022; 2pgs. (Year: 2020).*

Primary Examiner — Keli L Hill

(74) *Attorney, Agent, or Firm* — Sterne, Kessler, Goldstein & Fox P.L.L.C.

(73) Assignee: **PepsiCo, Inc.**, Purchase, NY (US)

(**) Term: **15 Years**

(21) Appl. No.: **29/686,511**

(22) Filed: **Apr. 4, 2019**

(51) **LOC (14) Cl.** **09-01**

(52) **U.S. Cl.**
USPC **D9/668; D9/773; D9/557**

(58) **Field of Classification Search**
USPC D9/500–504, 537–539, 540, 542, 543,
D9/549, 551–554, 556, 557, 600, 668,
D9/763–783

CPC B21D 51/26; B21D 51/383; B29C 66/71;
B65D 1/00; B65D 1/02; B65D 1/12;
B65D 1/14; B65D 1/40; B65D 1/44;
B65D 1/023; B65D 1/0223; B65D 1/165;
B65D 1/238; B65D 1/246; B65D 1/253;
B65D 7/04; B65D 21/0209; B65D
21/0233; B65D 25/00; B65D 25/28;
B65D 41/0457; B65D 41/17; B65D
53/06; B65D 75/56; B65D 79/005; B65D
2501/0036; B65D 2543/00064; B65D
2543/00074; B65D 2543/00083; B65D

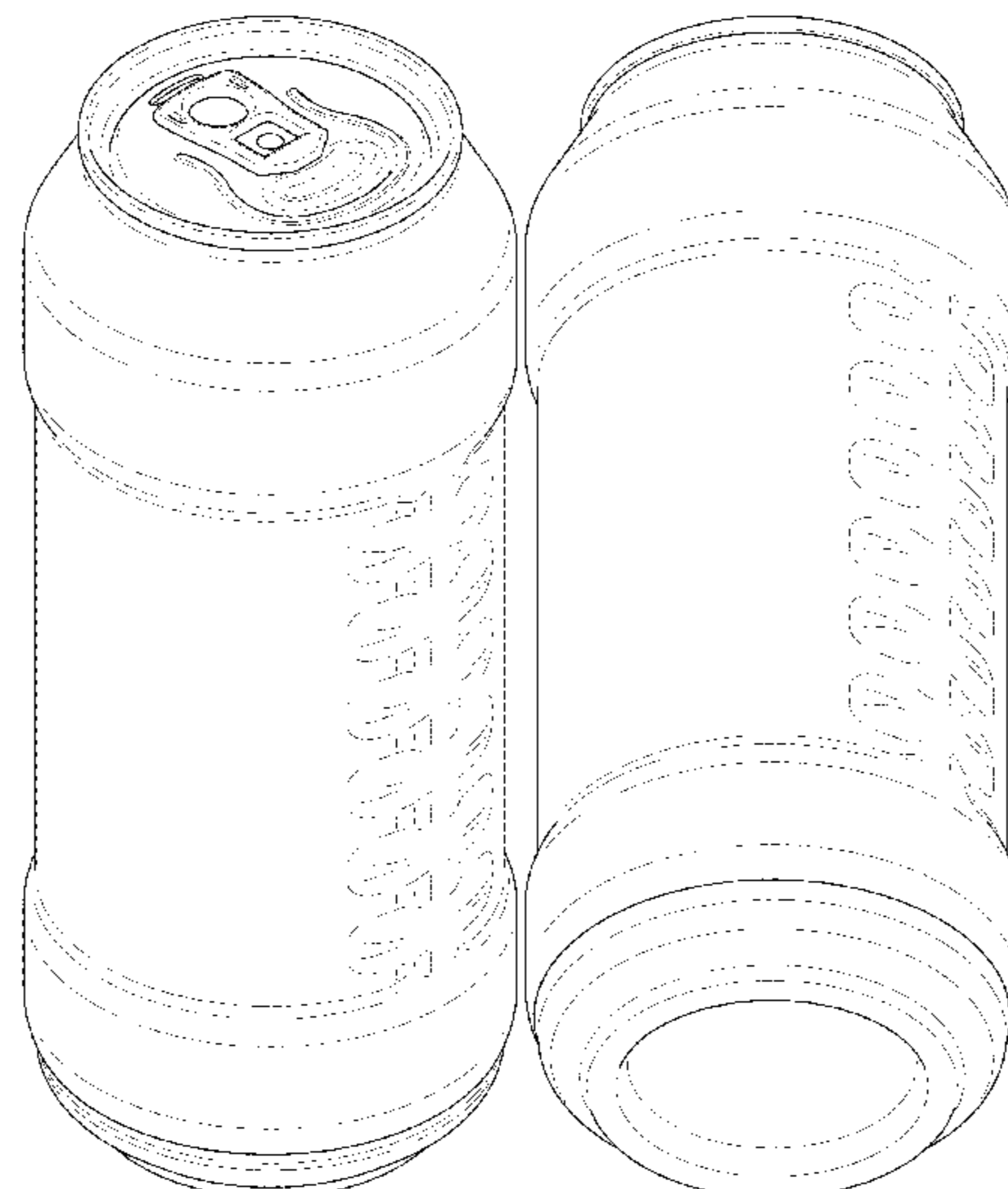
(57) **CLAIM**

The ornamental design for a container, as shown and described.

DESCRIPTION

FIG. 1 is a top perspective view of a container showing the claimed design;
FIG. 2 is a bottom perspective view thereof;
FIG. 3 is a front view thereof;
FIG. 4 is a rear view thereof;
FIG. 5 is a right side view thereof;
FIG. 6 is a left side view thereof;
FIG. 7 is a top view thereof; and,
FIG. 8 is a bottom view thereof.

1 Claim, 7 Drawing Sheets



(56)

References Cited

U.S. PATENT DOCUMENTS

| | | | | | | |
|----------|---|---|---------|---------------|-------|----------|
| D360,829 | S | * | 8/1995 | Leeds | | D9/557 |
| D389,734 | S | * | 1/1998 | Schultz | | D9/518 |
| D391,155 | S | * | 2/1998 | Edson | | D7/619.2 |
| D399,419 | S | * | 10/1998 | Edson | | D9/518 |
| D399,429 | S | * | 10/1998 | Ramsey | | D9/539 |
| D399,753 | S | * | 10/1998 | Ramsey | | D9/540 |
| D402,198 | S | * | 12/1998 | Schultz | | D9/518 |
| D409,904 | S | * | 5/1999 | Clements | | D9/668 |
| D411,442 | S | * | 6/1999 | Edson | | D9/668 |
| D421,393 | S | * | 3/2000 | Pavely | | D9/540 |
| D440,498 | S | * | 4/2001 | Buxton | | D9/903 |
| D489,986 | S | * | 5/2004 | Case | | D9/502 |
| D526,208 | S | * | 8/2006 | Klein | | D9/633 |
| D564,903 | S | * | 3/2008 | Stephens | | D9/773 |
| D580,271 | S | * | 11/2008 | Tsai | | D9/542 |
| D580,775 | S | * | 11/2008 | Harris | | D9/668 |
| D584,643 | S | * | 1/2009 | Kolon | | D9/777 |
| D596,033 | S | * | 7/2009 | Zach | | D9/557 |
| D609,111 | S | * | 2/2010 | Bentley | | D9/519 |
| D614,504 | S | * | 4/2010 | Coat | | D9/652 |
| D631,363 | S | * | 1/2011 | Herstol | | D9/557 |
| D656,042 | S | * | 3/2012 | Hu | | D9/773 |
| D667,730 | S | * | 9/2012 | Toh | | D9/558 |
| D677,585 | S | * | 3/2013 | Murphy | | D9/776 |
| D700,059 | S | * | 2/2014 | Laib | | D9/500 |
| D705,078 | S | * | 5/2014 | Laib | | D9/500 |
| D718,635 | S | * | 12/2014 | Fleischhacker | | D9/551 |
| D732,968 | S | * | 6/2015 | Heisner | | D9/500 |
| D740,128 | S | * | 10/2015 | Martin | | D9/668 |
| D742,237 | S | * | 11/2015 | Snyder | | D7/510 |
| D756,784 | S | * | 5/2016 | Fine | | D9/500 |
| D761,660 | S | * | 7/2016 | Giles | | D9/668 |
| D778,735 | S | * | 2/2017 | Wofford | | D9/778 |
| D821,886 | S | * | 7/2018 | Paulin | | D9/668 |

* cited by examiner

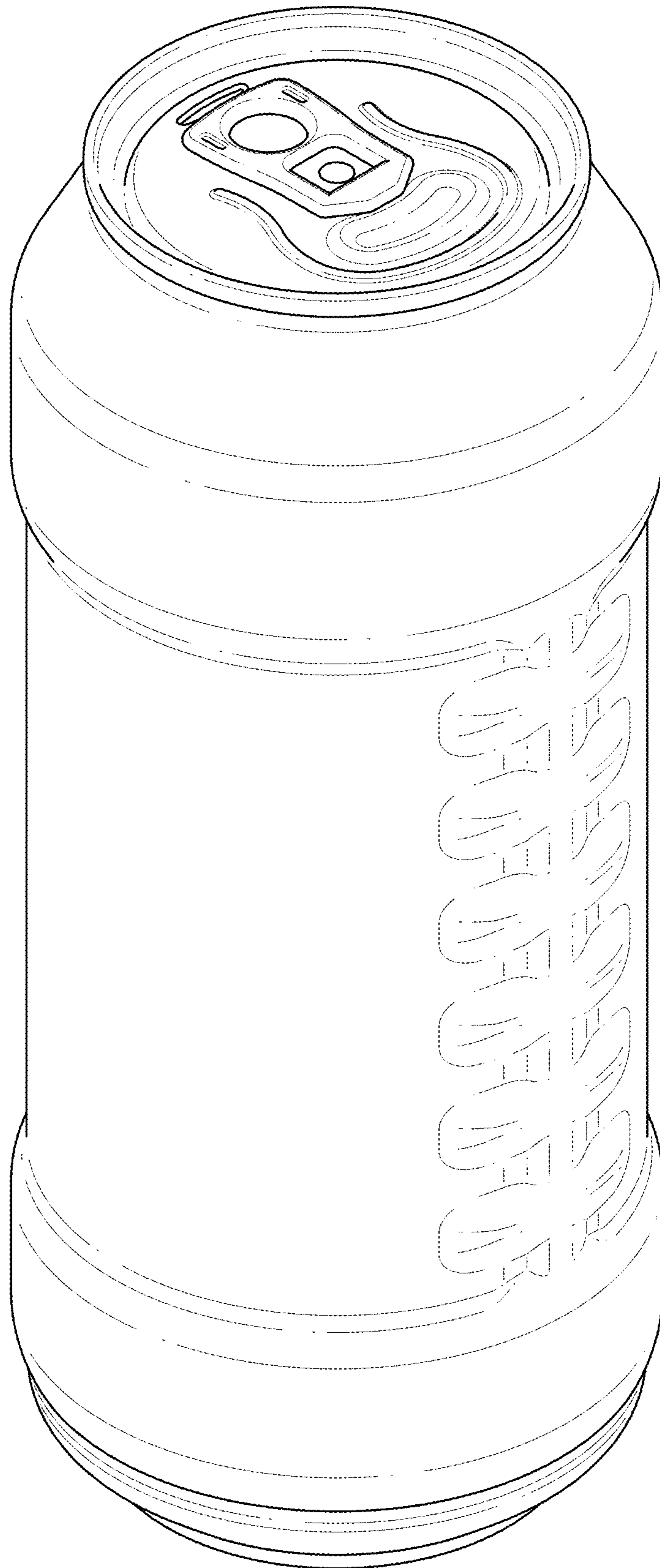


FIG. 1

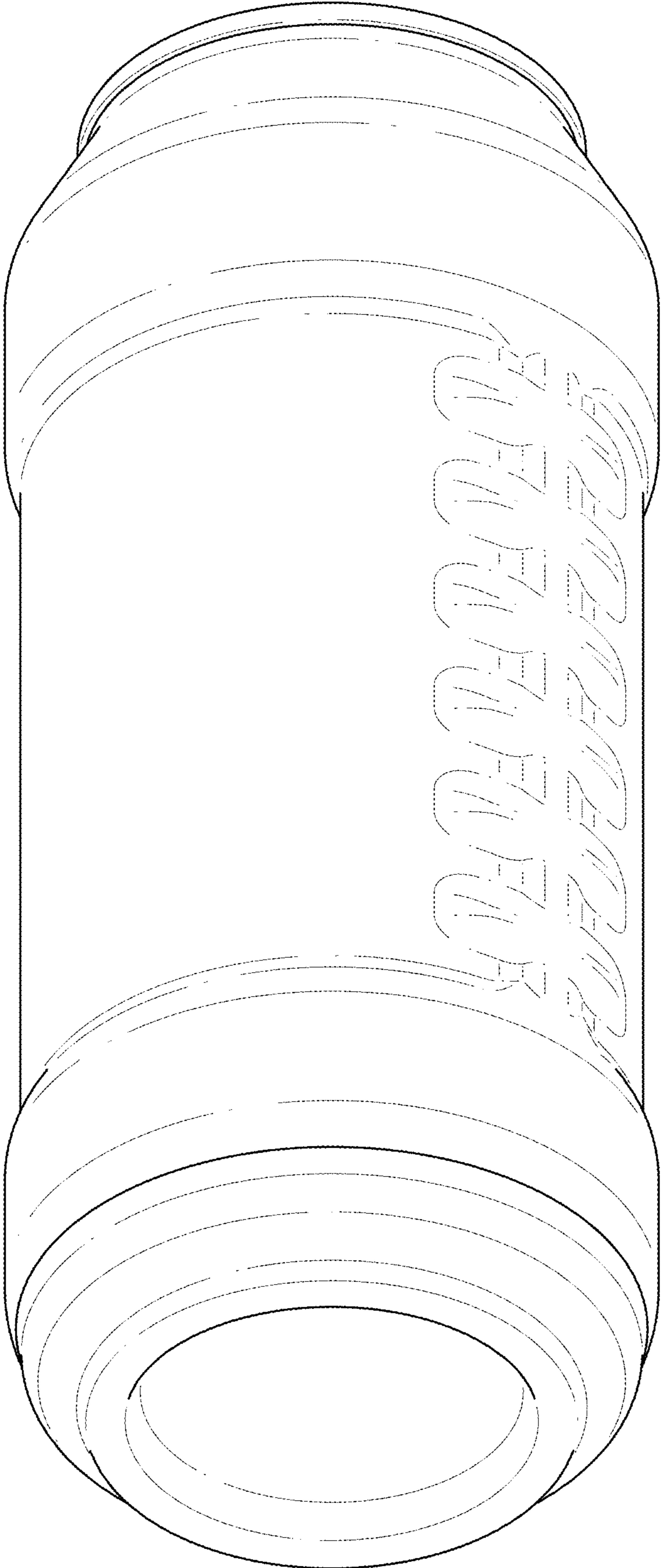


FIG. 2

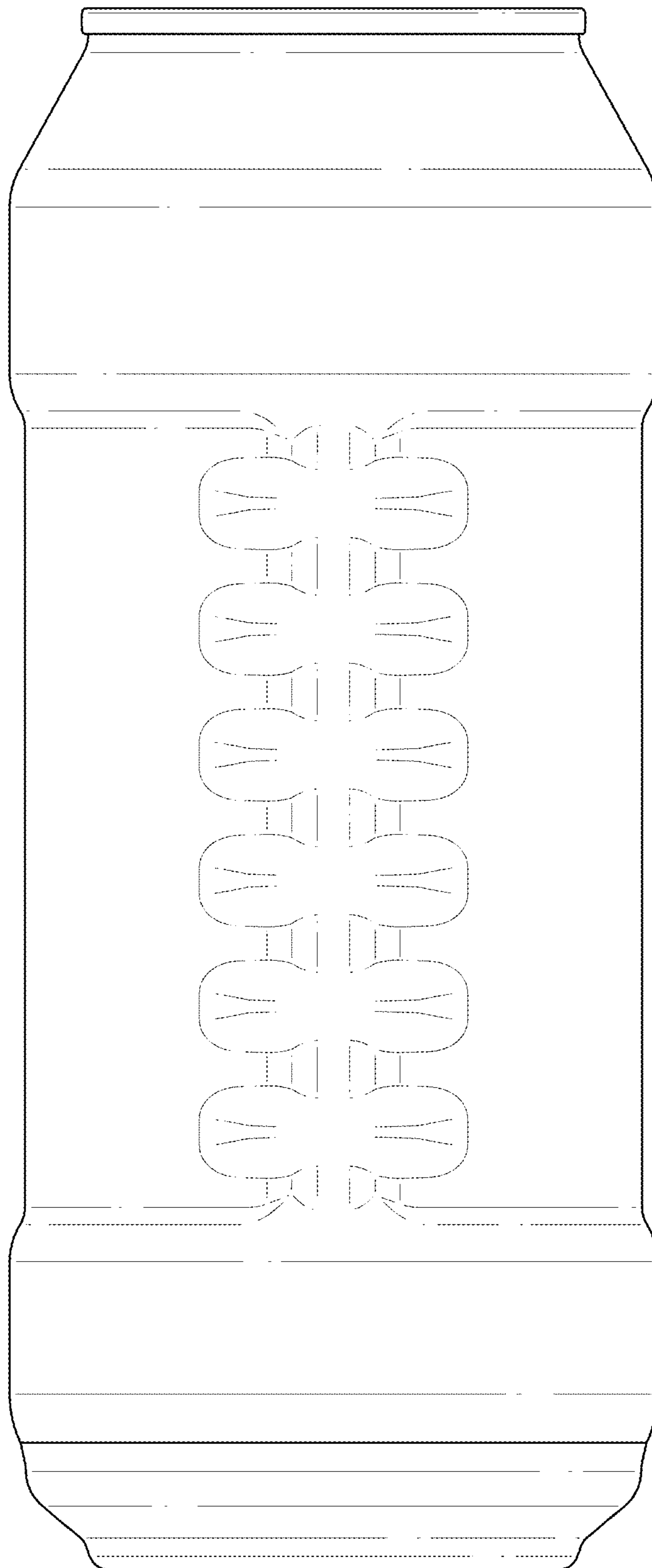


FIG. 3

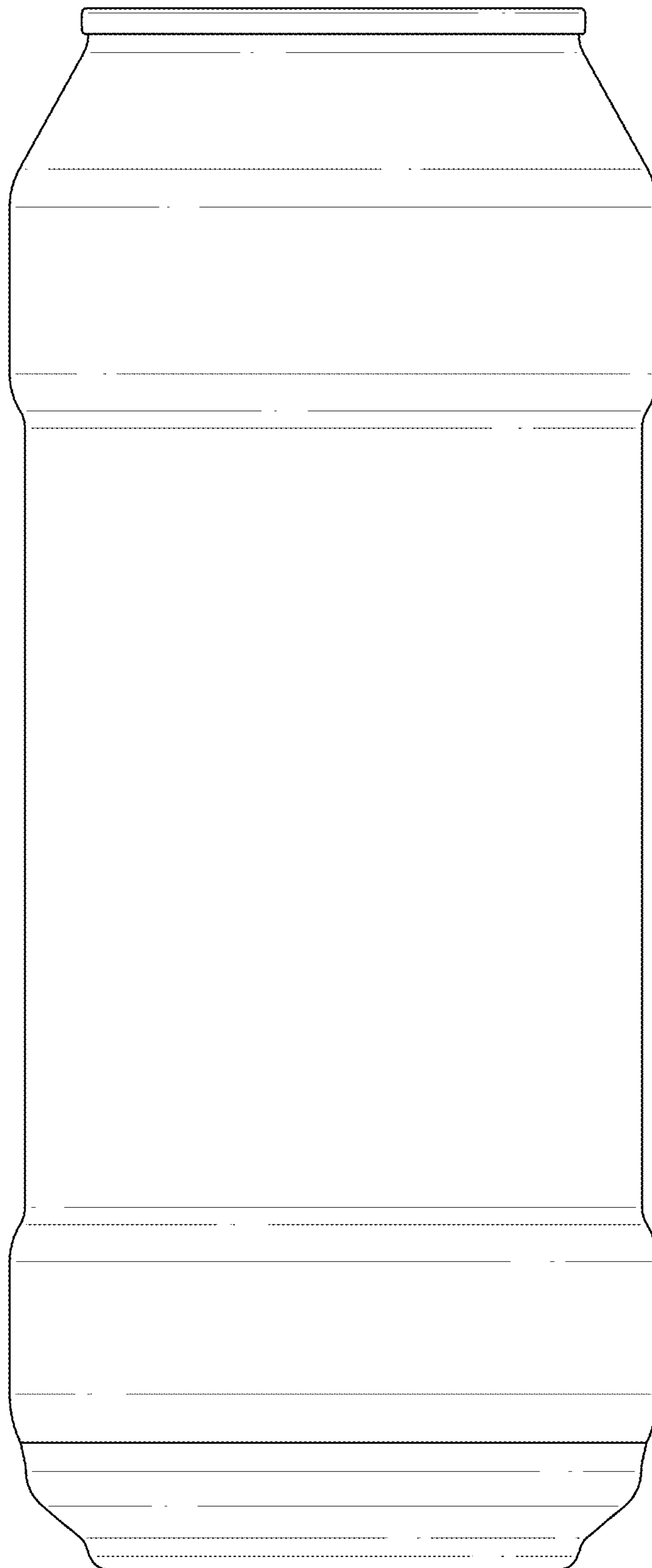


FIG. 4

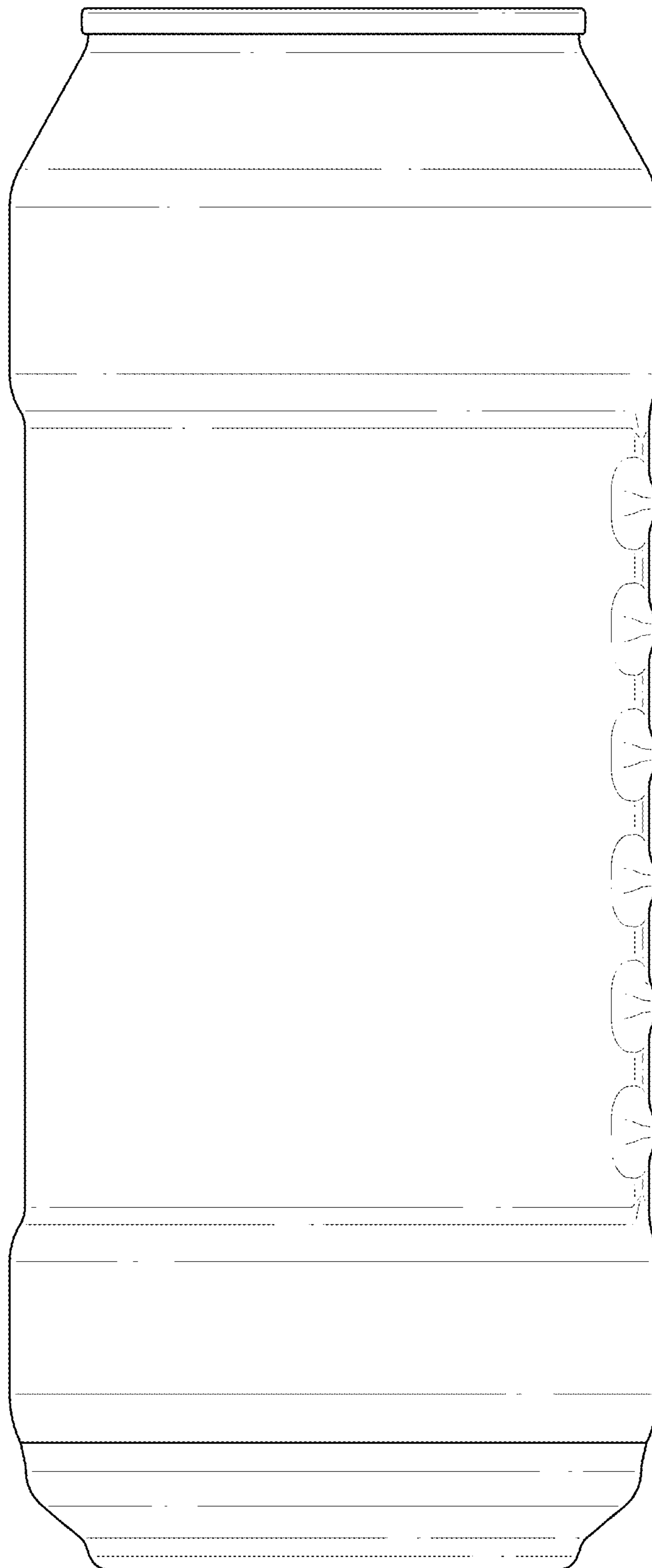


FIG. 5

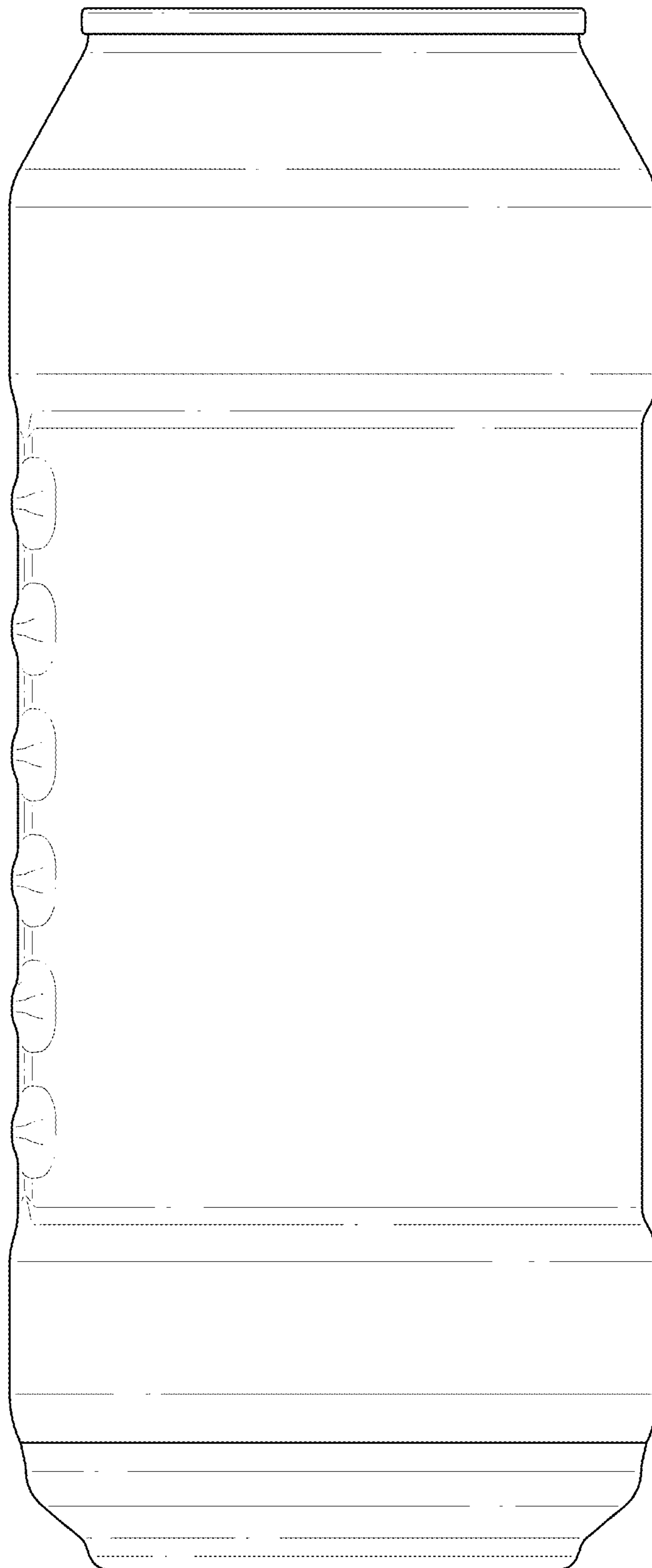


FIG. 6

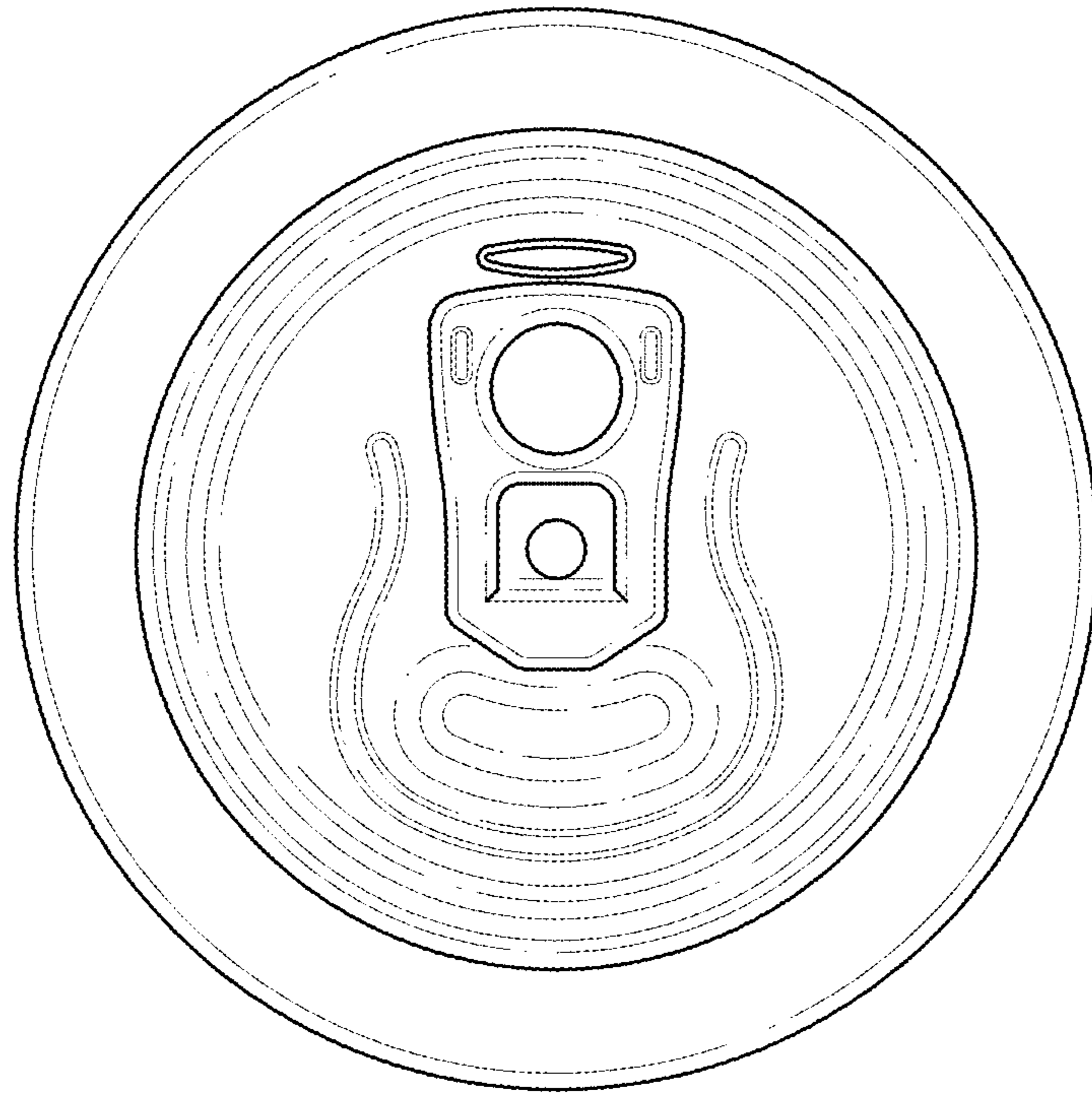


FIG. 7

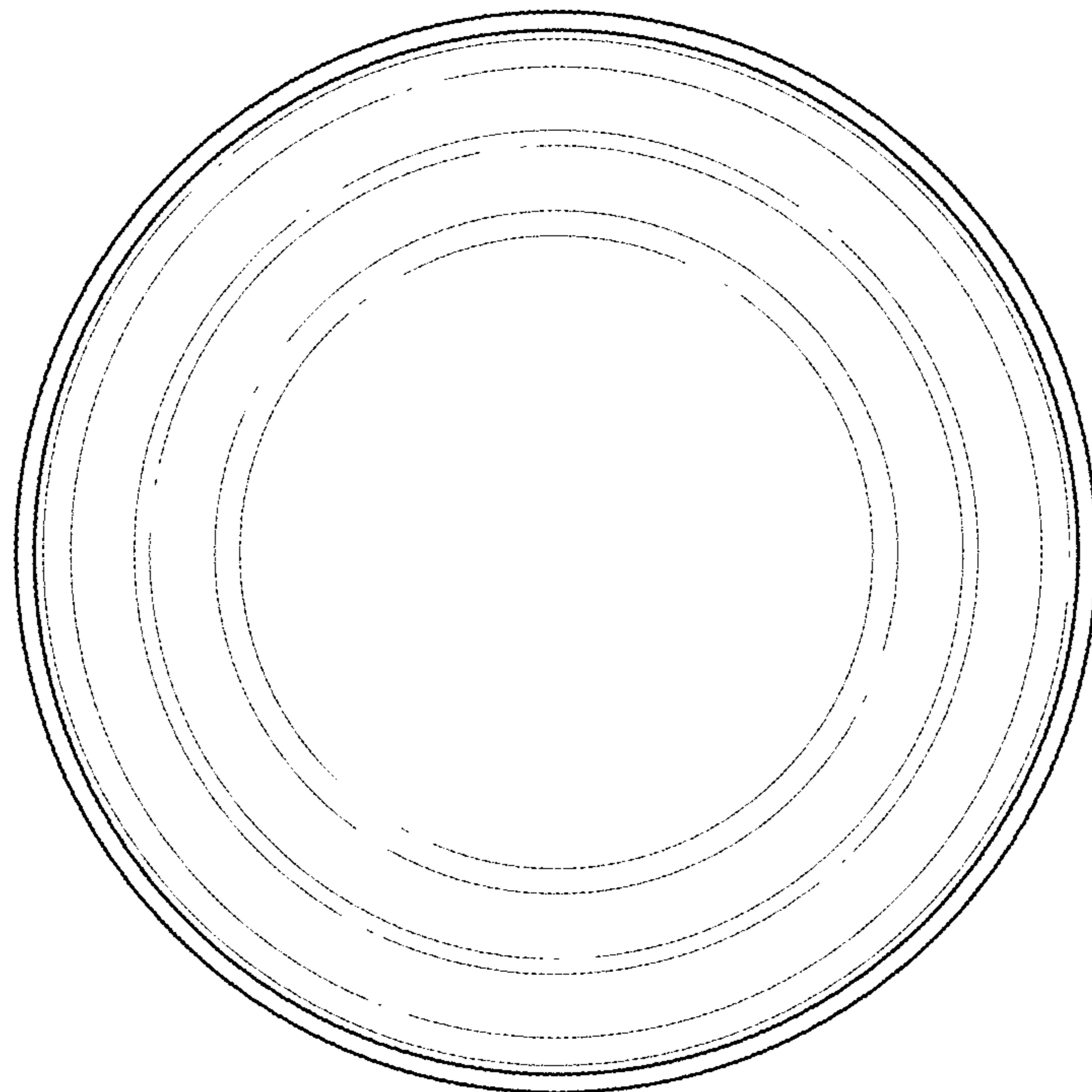


FIG. 8